

● ● ● ● ● ● ● ●

ATMOTECH

PROFESSIONAL ATMOSPHERIC EFFECTS



VS-1500

VAPOR STREAM SERIES

Order code: FOG15

USER MANUAL

● ● ● ● ● ● ● ●

WARNING

**FOR YOUR OWN SAFETY, PLEASE READ THIS USER MANUAL CAREFULLY
BEFORE YOUR INITIAL START-UP!**



CAUTION!

**Keep this equipment away from rain,
moisture and liquids.**



SAFETY INSTRUCTIONS

Every person involved with the installation, operation & maintenance of this equipment should:

- Be competent
- Follow the instructions of this manual



**CAUTION! TAKE CARE USING THIS EQUIPMENT!
HIGH VOLTAGE-RISK OF ELECTRIC SHOCK!!**



Before your initial start-up, please make sure that there is no damage caused during transportation. Should there be any, consult your dealer and do not use the equipment.

To maintain the equipment in good working condition and to ensure safe operation, it is necessary for the user to follow the safety instructions and warning notes written in this manual.

Please note that damages caused by user modifications to this equipment are not subject to warranty.



IMPORTANT:

The manufacturer will not accept liability for any resulting damages caused by the non-observance of this manual or any unauthorised modification to the equipment.

- Never let the power-cable come into contact with other cables. Handle the power-cable and all mains voltage connections with particular caution!
- Never remove warning or informative labels from the equipment.
- Do not open the equipment and do not modify the equipment.
- Only use the equipment indoors.
- Do not expose to flammable sources or gases.
- Always disconnect the power from the mains when equipment is not in use or before cleaning! Only handle the power-cable by the plug. Never pull out the plug by pulling the power-cable.
- Make sure that the available voltage is between 220v/240v.
- Make sure that the power-cable is never crimped or damaged. Check the equipment and the power-cable periodically.
- If the equipment is dropped or damaged, disconnect the mains power supply immediately. Have a qualified engineer inspect the equipment before operating again.
- If the equipment has been exposed to drastic temperature fluctuation (e.g. after transportation), do not switch it on immediately. The arising condensation might damage the equipment. Leave the equipment switched off until it has reached room temperature.
- If your product fails to function correctly, discontinue use immediately. Pack the unit securely (preferably in the original packing material), and return it to your Prolight dealer for service.
- Only use fuses of same type and rating.
- Repairs, servicing and power connection must only be carried out by a qualified technician. **THIS UNIT CONTAINS NO USER SERVICEABLE PARTS.**
- **WARRANTY:** One year from date of purchase.

OPERATING DETERMINATIONS

If this equipment is operated in any other way, than those described in this manual, the product may suffer damage and the warranty becomes void.

Incorrect operation may lead to danger e.g. short-circuit, burns, electric shocks etc.

Do not endanger your own safety and the safety of others!

Incorrect installation or use can cause serious damage to people and property.

Before filling the unit disconnect the mains. Never fill with hot liquids.

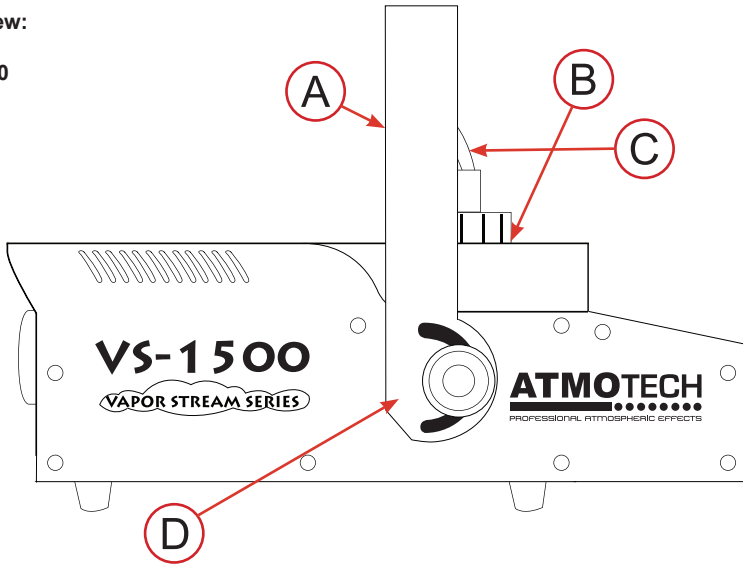
Only use high quality, water based smoke fluid recommended by the manufacturer. Other smoke fluids may cause clogging and void the warranty.

Always make sure there is sufficient smoke fluid in the tank. Operating this smoke machine without smoke fluid will cause damage to the pump as well as over heating of the heater.

Operate the unit only after you have familiarized yourself with its functions, Do not permit operation by persons not qualified for operating the unit and always drain the tank and use the original packaging if the unit is to be transported.

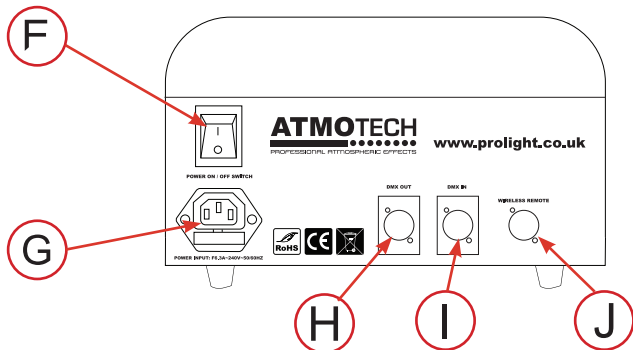
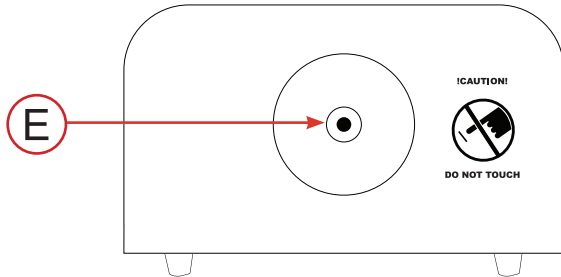
Overview:

VS-1500



Identification:

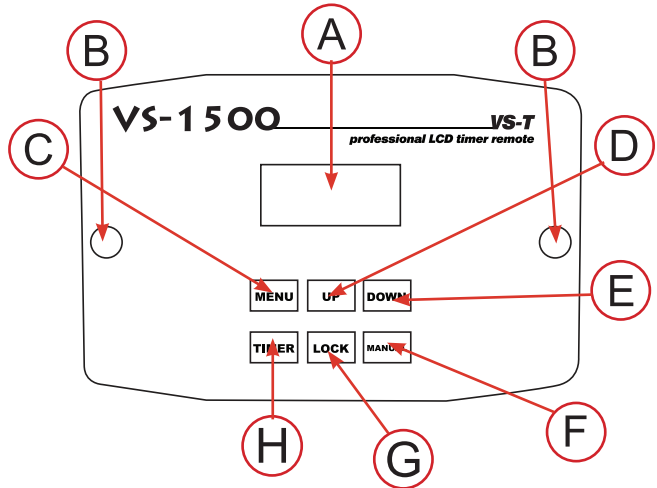
- A, Hanging Bracket
- B, Fog fluid container
- C, Fluid pipe
- D, Tightening Knobs
- E, Output nozzle
- F, On/off switch
- G, Power input
- H, DMX output
- I, DMX input
- J, Wireless remote input



Controller Overview

Identification:

- A, LCD display screen
- B, Securing screws
- C, Menu button
- D, Up button
- E, Down button
- F, Manual button
- G, Lock button
- H, Timer button



Timer remote operations:

Warm up time

This high power fog machine has a warm up time of approximately 8 minutes. Once the machine has warmed up, please follow the instructions below.

Interval time setting

To set the interval times, press the **“MENU”** button to show Interval on the LCD display. Now use the **“UP”** and **“DOWN”** buttons to increase or decrease the interval times between each burst.

The interval time can be set from 1-900s.

Duration time setting

To set the duration times, press the **“MENU”** button to show Duration on the LCD display. Now use the **“UP”** and **“DOWN”** buttons to increase or decrease the duration between each burst.

The duration time can be set from 1-200s.

Output volume setting

To set the output volume, press the **“MENU”** button to show Output on the LCD display. Now use the **“UP”** and **“DOWN”** buttons to increase or decrease the smoke output each burst.

The output volume can be set from 0-100%.

Manual fogging

For manual fog output, simply press the **“MANUAL”** button and hold until the desired amount of smoke is emitted.

Constant burst operation

To set unit for constant burst, press the **“LOCK”** button. To stop the constant burst simply press the **“LOCK”** button again. During this operation you can change the volume output by pressing the **“UP”** and **“DOWN”** buttons.

Timer operation

To use the timer operation, press the **“TIMER”** button. The timer will now work with the Interval, Duration and Volume setting that you have previously set. To change any of the settings for these options please follow the steps on the previous page.

DMX address setting

To set the units DMX address, press the **“MENU”** button to show DMX-512 on the LCD display. Now use the **“UP”** and **“DOWN”** buttons to set the desired DMX address from 001-512.


For DMX function, please refer to the DMX chart below.

DMX Chart

Channel	Value	Function
1	0-255	Manual fogging (low - high output)

STARTING OPERATION

The fluid tank of the unit needs to be filled with smoke fluid before switching on. Always disconnect it from the mains supply as fluid could be spilled.

Only use quality smoke fluids recommended by your dealer. We recommend high quality  smoke fluids. You must not use substances which are classified as **“DANGEROUS WORKING MATERIALS”** or **“FLAMMABLE FLUIDS”**.

If fluid should get inside the main housing, disconnect the unit from the mains immediately and consult a technician.

OPERATION

Before switching the unit on, please make sure that the LCD timer remote control is connected to the unit properly.

After switching on via the On/off switch the controllers LCD screen will display **“WARMING UP”**. When the unit has reached the correct temperature, the LCD display will show **“READY TO FOG”** and the unit is now ready for operation.

DMX Control Mode

Operating in a DMX control mode environment gives the user the greatest flexibility when it comes to customising or creating a show. In this mode you will be able to control each individual trait of the fixture and each fixture independently.

Setting the DMX address

The DMX mode enables the use of a universal DMX controller. Each fixture requires a "start address" from 1- 511. A fixture requiring one or more channels for control begins to read the data on the channel indicated by the start address. For example, a fixture that occupies or uses 7 channels of DMX and was addressed to start on DMX channel 100, would read data from channels: 100,101,102,103,104,105 and 106. Choose a start address so that the channels used do not overlap. E.g. the next unit in the chain starts at 107.

DMX-512:

- DMX (Digital Multiplex) is a universal protocol used as a form of communication between intelligent fixtures and controllers. A DMX controller sends DMX data instructions from the controller to the fixture. DMX data is sent as serial data that travels from fixture to fixture via the DATA "IN" and DATA "OUT" XLR terminals located on all DMX fixtures (most controllers only have a data "out" terminal).

DMX Linking:

- DMX is a language allowing all makes and models of different manufactures to be linked together and operate from a single controller, as long as all fixtures and the controller are DMX compliant. To ensure proper DMX data transmission, when using several DMX fixtures try to use the shortest cable path possible. The order in which fixtures are connected in a DMX line does not influence the DMX addressing. For example; a fixture assigned to a DMX address of 1 may be placed anywhere in a DMX line, at the beginning, at the end, or anywhere in the middle. When a fixture is assigned a DMX address of 1, the DMX controller knows to send DATA assigned to address 1 to that unit, no matter where it is located in the DMX chain.

DATA Cable (DMX cable) requirements (for DMX operation):

- The VS-1500 can be controlled via DMX-512 protocol. The DMX address is set on the back of the unit. Your unit and your DMX controller require a standard 3-pin XLR connector for data input/output (figure 1).



Further DMX cables can be purchased from all good sound and lighting suppliers or Prolight dealers.

Please quote:

CABL10 – 2M

CABL11 – 5M

CABL12 – 10M

Also remember that DMX cable must be daisy chained and cannot be split.

Notice:

• Be sure to follow figures 2 & 3 when making your own cables. Do not connect the cable's shield conductor to the ground lug or allow the shield conductor to come in contact with the XLR's outer casing. Grounding the shield could cause a short circuit and erratic behaviour.

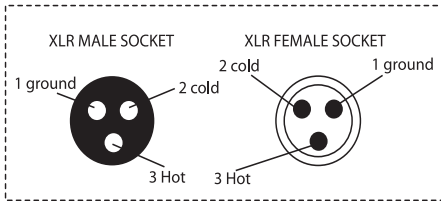
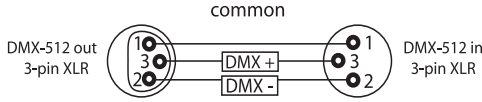


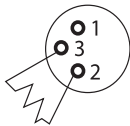
FIGURE 3

XLR Pin Configuration
Pin 1 = Ground
Pin 2 = Negative
Pin 3 = Postive

FIGURE 2

Special Note: Line termination:

• When longer runs of cable are used, you may need to use a terminator on the last unit to avoid erratic behaviour.

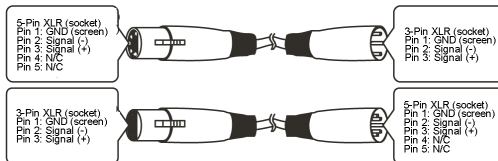


Termination reduces signal transmission problems and interference. it is always advisable to connect a DMX terminal, (resistance 120 Ohm 1/4 W) between pin 2 (DMX-) and pin 3 (DMX+) of the last fixture.

Using a cable terminator (part number CABL90) will decrease the possibilities of erratic behaviour.

5-Pin XLR DMX Connectors:

• Some manufactures use 5-pin XLR connectors for data transmission in place of 3-pin. 5-Pin XLR fixtures may be implemented in a 3-pin XLR DMX line. When inserting standard 5-pin XLR connectors in to a 3-pin line a cable adaptor must be used. The Chart below details the correct cable conversion.



CLEANING AND MAINTENANCE




DANGER TO LIFE!
Disconnect from the mains before
starting maintenance



We recommend a frequent cleaning of the unit. Please use a soft lint-free and moistened cloth. Never use alcohol or solvents!

Clean the output nozzle frequently from smoke fluid residues.

The  smoke fluids we recommend are non-hazardous to the environment and can be disposed of via the sewage system.

There are no user serviceable parts inside this unit except for the fuse. Maintenance and service operations are only to be carried out by authorized dealers.

REPLACING THE FUSE

Only replace the fuse with a fuse of same type and rating.

Before replacing the fuse, disconnect from the mains.

Procedure:

- Step 1: Open the fuse holder on the rear panel with a suitable screwdriver.**
- Step 2: Remove the old fuse from the fuse holder,**
- Step 3: Install the new fuse in the fuse holder**
- Step 4: Replace the fuse holder in the housing.**

Should you need any spare parts, only use genuine parts.

If defective, please dispose of the unusable unit in accordance with the current legal regulations.

Should you have any further questions, please contact your dealer.

Technical Specifications
VS-1500

Smoke output	20,000 cu.ft per minute
Warm up time	approx. 8 mins
Tank capacity	2.3L
Power consumption	1500W
Power supply	240V
Dimensions	570 x 310 x 230mm
Weight	9Kgs

VS-T Controller

Cable length	2.5M
Connector	5-pin XLR
Function	Interval, Duration, Output and DMX
Dimensions	139 x 92 x 43mm
Weight:	0.46Kgs





ATMOTECH



PROFESSIONAL ATMOSPHERIC EFFECTS

www.prolight.co.uk

