

elumen8

Kudos 2RE Beam User Manual



Order code: ELUM701

WARNING

FOR YOUR OWN SAFETY, PLEASE READ THIS USER MANUAL CAREFULLY BEFORE YOUR INITIAL START-UP!

- Before your initial start-up, please make sure that there is no damage caused during transportation.
- Should there be any damage, consult your dealer and do not use the equipment.
- To maintain the equipment in good working condition and to ensure safe operation, it is necessary for the user to follow the safety instructions and warning notes written in this manual.
- Please note that damages caused by user modifications to this equipment are not subject to warranty.



IMPORTANT:

The manufacturer will not accept liability for any resulting damages caused by the non-observance of this manual or any unauthorised modification to the equipment.

- Never let the power cable come into contact with other cables. Handle the power cable and all mains voltage connections with particular caution!
- Never remove warning or informative labels from the unit.
- Do not open the equipment and do not modify the unit.
- Do not connect this equipment to a dimmer pack.
- Do not switch the equipment on and off in short intervals, as this will reduce the system's life.
- Only use the equipment indoors.
- Do not expose to flammable sources, liquids or gases.
- Always disconnect the power from the mains when equipment is not in use or before cleaning! Only handle the power-cable by the plug. Never pull out the plug by pulling the power-cable.
- Make sure that the available mains supply voltage is between 100~240V AC, 50/60Hz.
- Make sure that the power cable is never crimped or damaged. Check the equipment and the power cable periodically.
- If the equipment is dropped or damaged, disconnect the mains power supply immediately and have a qualified engineer inspect the equipment before operating again.
- If the equipment has been exposed to drastic temperature fluctuation (e.g. after transportation), do not connect power or switch it on immediately. The arising condensation might damage the equipment. Leave the equipment switched off until it has reached room temperature.
- If your product fails to function correctly, stop use immediately. Pack the unit securely (preferably in the original packing material), and return it to your Prolight dealer for service.
- Only use fuses of same type and rating.
- We recommend this fixture should be serviced at least once every 3 months to prevent build-up of dust, dirt and debris that could affect the fixtures operation.
- Repairs, servicing and power connection must only be carried out by a qualified technician. THIS UNIT CONTAINS NO USER SERVICEABLE PARTS.
- This lighting fixture is for professional use only - it is not designed for or suitable for household use. The product must be installed by a qualified technician in accordance with local territory regulations. The safety of the installation is the responsibility of the installer. The fixture presents risks of severe injury or death due to fire hazards, electric shock and falls.
- Warning! Risk Group 2 LED product according to EN 62471. Do not view the light output with optical instruments or any device that may concentrate the beam.
- High power lighting fixtures are capable of producing powerful, concentrated beams of light that can create a fire hazard or a risk of eye injury if the safety precautions are not followed.
- WARRANTY: Two years from date of purchase.

OPERATING DETERMINATIONS

If this equipment is operated in any other way, than those described in this manual, the product may suffer damage and the warranty becomes void. Incorrect operation may lead to danger e.g: short-circuit, burns and electric shocks etc. Do not endanger your own safety and the safety of others!

Incorrect installation or use can cause serious damage to people and/or property.

This fixture falls under Protection Class 1, therefore it has to be connected to a mains socket with a protective earthing connection.

Risk group 2, RG-2: CAUTION!

Do not stare at exposed lamp in operation as it may damage/be harmful to the eyes. Avoid looking directly into the light source.

WARNING!

The minimum distance between the light output and illuminated objects/surfaces must be equal to or greater than 10 meters (33ft).

CAUTION!

The maximum ambient temperature (T_a) of 40° must not be exceeded.

CAUTION!

If the lens gets damaged ie. cracks or deep scratches so the output is impaired then it must be replaced.

CAUTION!

The lamp must be replaced if damaged or deformed!

CAUTION!

Turning the fixture on and off in short intervals will reduce the lamp life.

CAUTION!

To avoid damage to internal parts ie. optics, colour filters, gobos, prisms, frost filters, shutters, motors, belts, wiring or lamps. Never expose the lens to direct sunlight, lighting fixtures or lasers even when the fixture is not in use.

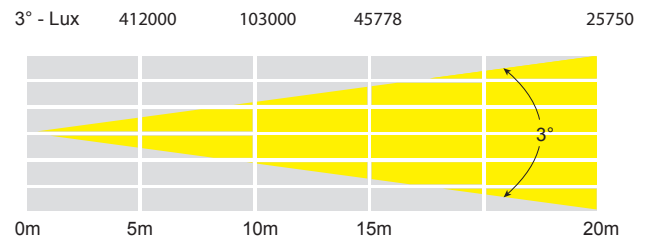
Kudos 2RE Beam

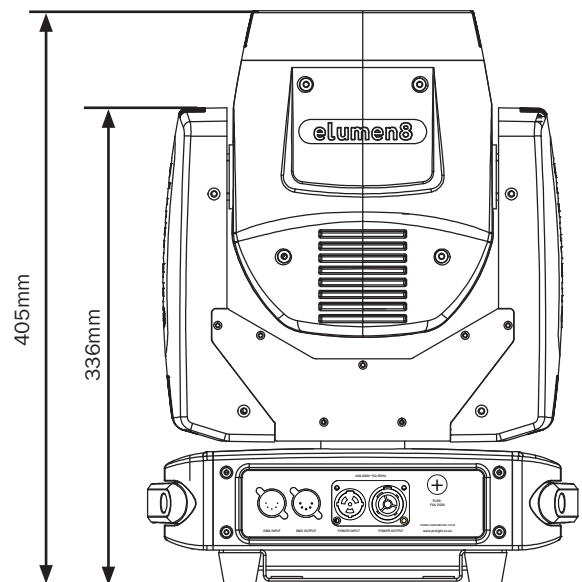
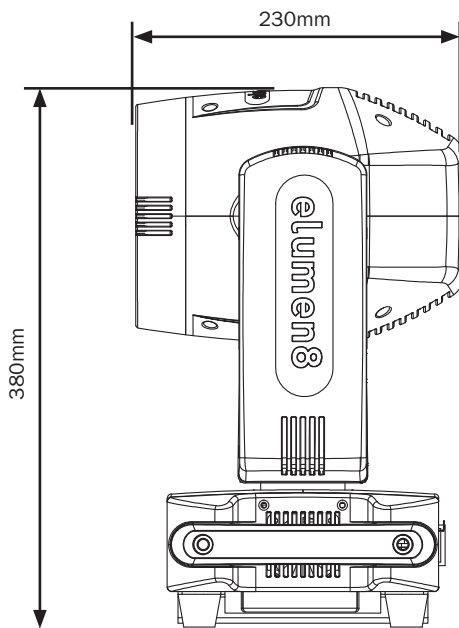
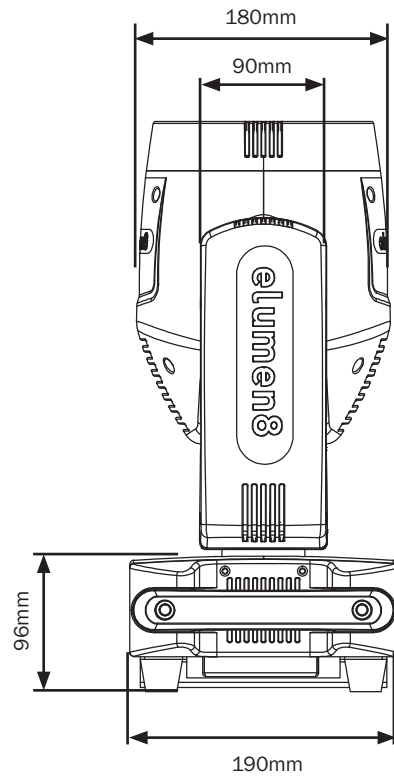
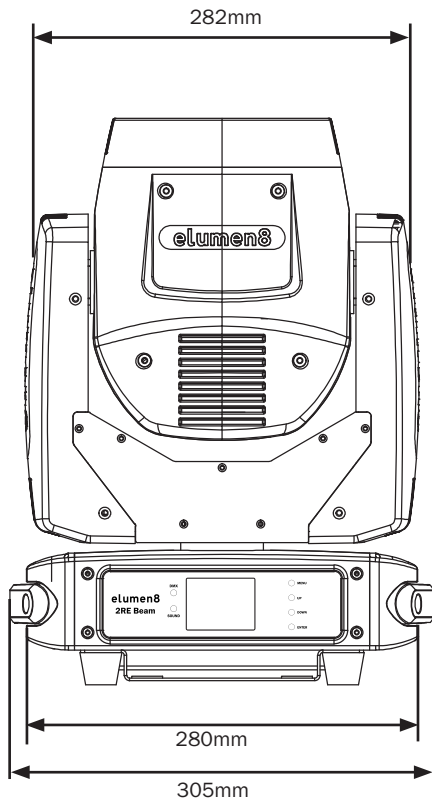
Loaded with an intense Osram® SIRIUS HRI 132W (2R) discharge lamp (9200K), the eLumen8 Kudos 2RE Beam features 14 colours (plus open) and 15 static gobos (plus open). A tight 4° beam angle and motorised focus allows users to create sharp, well defined beams. This compact moving head also features an 8 facet rotating prism for multi beam effects along with a frost filter enabling the lighting designer to select a host of options to creating stunning light shows. An on-board 4 push button menu with 2.6" LCD display, and selectable 16-Bit pan and tilt with auto correction make the Kudos 2RE Beam a truly 'event ready' fixture.

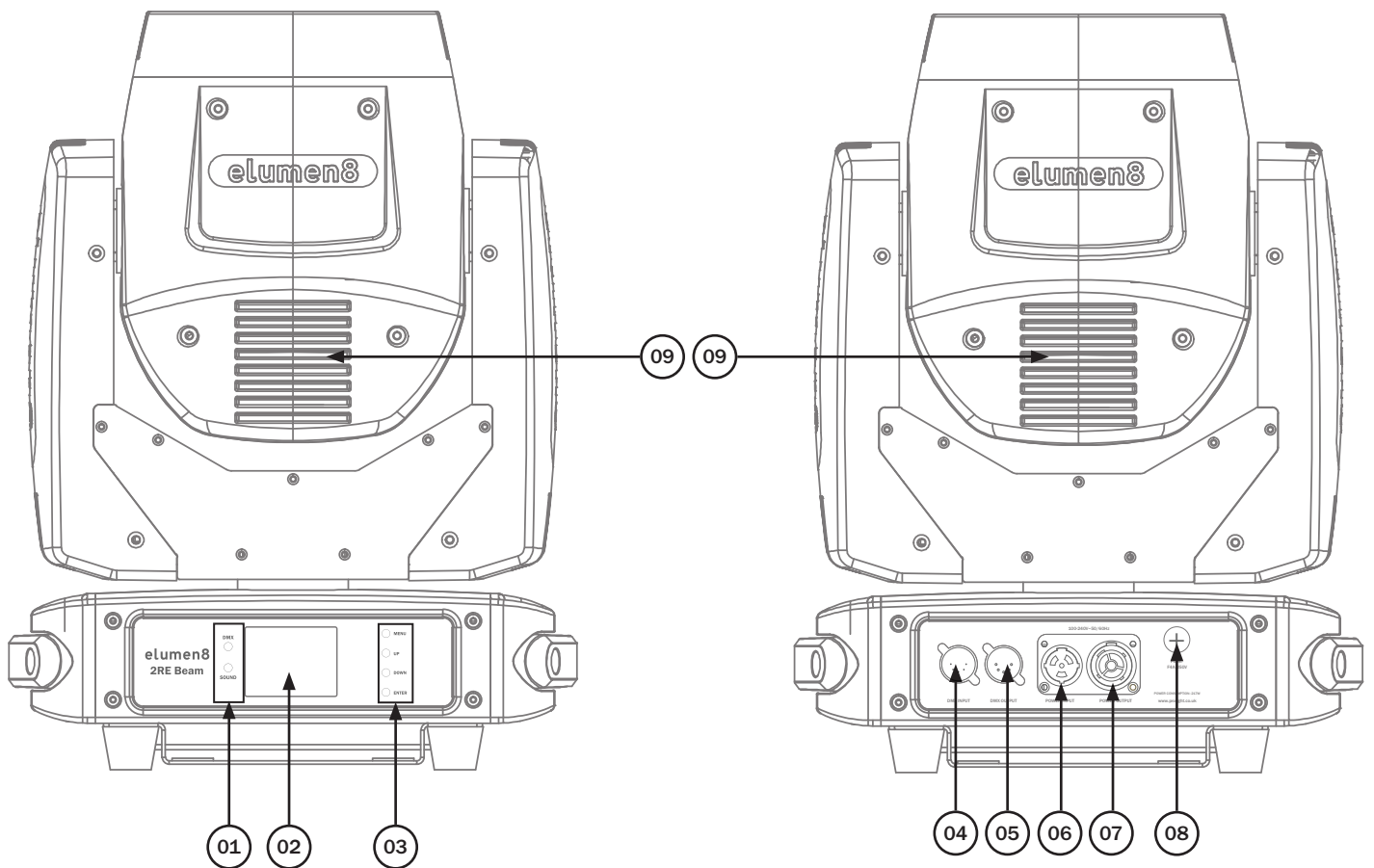
- 2 year warranty
- 1 x Osram® SIRIUS HRI 132W (2R) discharge lamp (9200K)
- Beam angle: 4°
- 103,000 Lux @ 10m
- Motorised focus
- CRI: 60
- 8 facet circular rotating prism
- Frost filter
- Gobo wheel: 15 static gobos + open
- Colour wheel: 14 colours + open
- DMX channels: 2/12 or 16 selectable
- Auto, sound active, manual control and master/slave modes
- Forward facing show mode
- Pan/tilt auto correction
- 16-Bit pan/tilt positioning
- Pan: 540°, Tilt: 270°
- 0 - 100% dimming
- Variable strobe
- Quick release omega clamps included
- 4 push button menu with 2.6" LCD display
- PowerCON TRUE1 input/output
- 5-Pin XLR input/output
- Fan cooled



Specifications	Kudos 2RE Beam
Power consumption	213W
Power supply	100~240V, 50/60Hz
Fuse	F4A 250V
Dimensions	405 x 305 x 190mm
Weight	9kg
Order code	ELUM701







01 - Status LEDs
 02 - LCD display
 03 - Function buttons

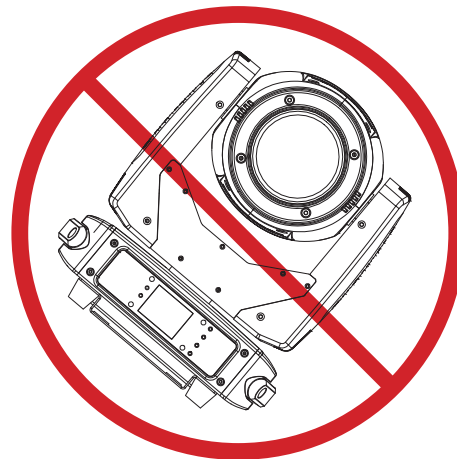
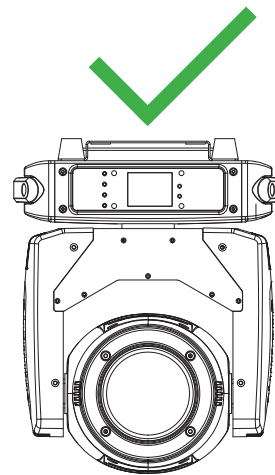
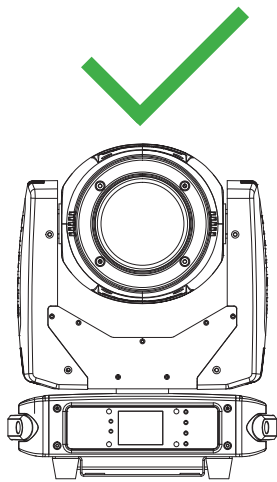
04 - 5-Pin DMX input
 05 - 5-Pin DMX output
 06 - PowerCON TRUE1 input

07 - PowerCON TRUE1 output
 08 - Fuse F4A 250V
 09 - Fans

In the box: **1 x fixture,**
2 x omega clamps
& 1 x power cable

Before installing the fixture, the supporting structure (ie. truss) must be able to hold a minimum of 10 times the fixtures weight without any deformation (eg. 15kg - 150kg point load). The fixture must be secured with a secondary safety attachment when being installed (ie. an appropriate safety cable). Never stand directly below the fixture when mounting, removing, and/or servicing.

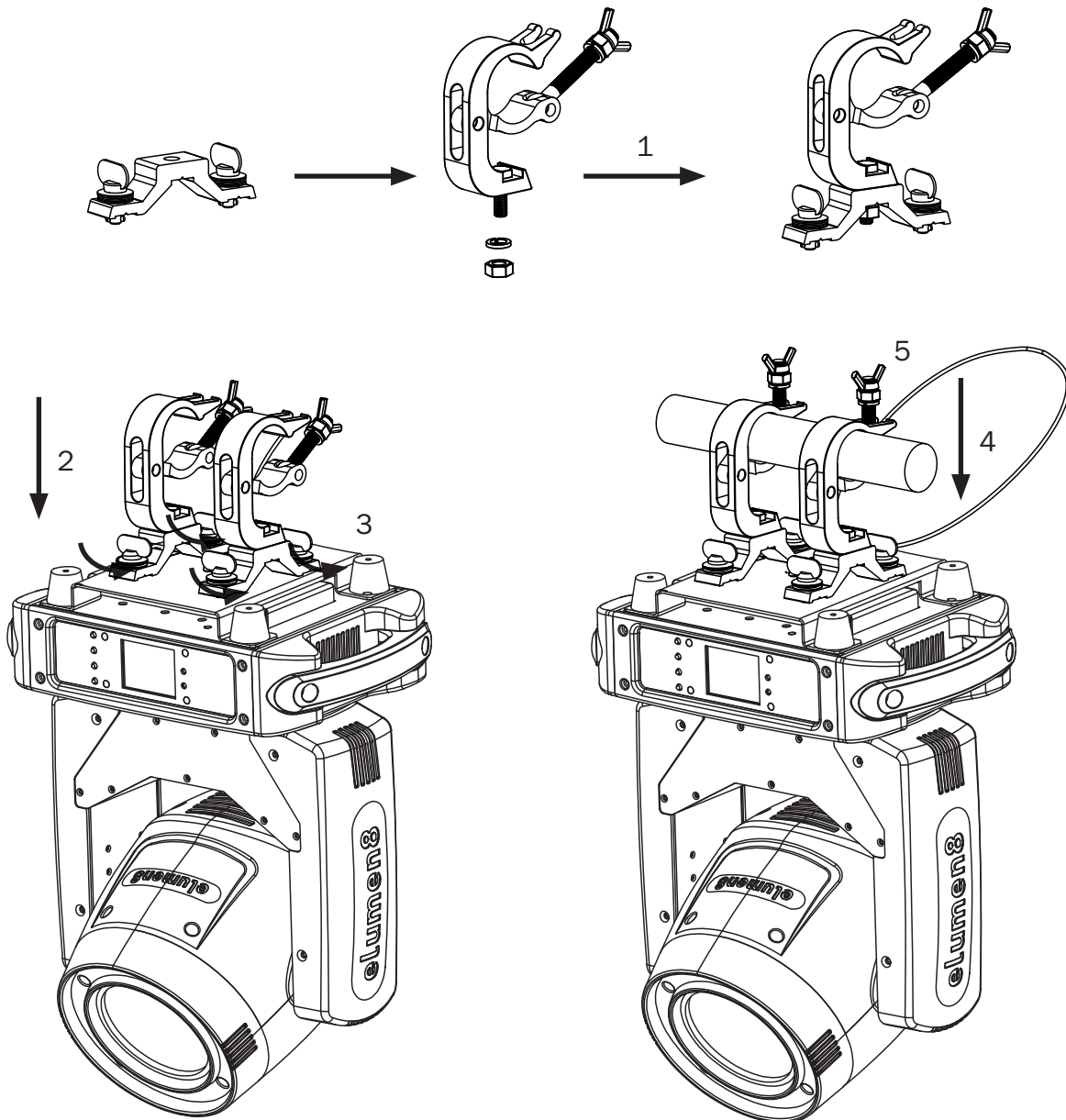
Overhead installation requires experience and qualifications to calculate working load limits, the material being used at the installation area and periodic safety inspections of the fixture and installation material. If you do not have the relevant experience and/or qualifications please do not attempt the installation yourself. The installation should be checked annually by a qualified person.



The Kudos 2RE Beam can be operated where the base of the fixture is horizontally orientated, this includes standing the fixture upright on a flat, level surface or hanging the fixture upside down. Do NOT install the fixture in a sideways position or in a position where the base of the fixture is orientated vertically or at an angle. Always use a safety wire as an extra safety precaution to prevent damage/injury in the event a clamp fails (see the next page for clamp installation). Never use the carry handles for secondary attachments.

Installation:

1. Fasten each clamp to the omega clamps with a bolt and lock nut through the hole in the omega clamp.
2. Align and insert the omega clamp quick-lock fasteners with the respective holes on the bottom of the unit.
3. Tighten both locking fasteners clockwise on each omega clamp ensuring they're fully secure.
4. Mount the fixture onto your truss system via the clamps and tighten to ensure secure.
5. Pull the safety cable through the safety cable holes located on the metal base plate on the underside of the fixture and around the truss.



Discharge Lamp Warning:

This fixture is fitted with a OSRAM SIRIUS HRI 132W (2R) Discharge Lamp, which is highly prone to damage if improperly handled. **NEVER** touch the lamp with your bare hands, as the oil from your hands will shorten the life of the lamp. **NEVER** move the lamp until the unit has had the appropriate time to cool. Discharge lamps are **NOT** covered under the warranty that comes with this fixture. Avoid switching the fixture **ON** and **OFF** repeatedly in short durations as this will reduce the lamps life and intensity. To achieve the intensity discharge lamps are renowned for, the lamp uses gas sealed in a high pressure environment.

Due to this high pressure involved with the manufacture of the lamp, it **MAY EXPLODE DURING PROLONGED EXTENSIVE USE**. This risk is increased with age and we recommend extra care is taken when dealing with older lamps. The lamp must be replaced at the end of its recommended duty cycle. Extreme caution should be taken when operating this or any fixture fitted with a discharge lamp.

Lamp replacement:

To ensure a safe lamp change please read the following instructions carefully.

The OSRAM SIRIUS HRI 132W (2R) Lamp **MUST** be replaced every 6,000 hours or when damaged and/or deformed. When the lamp needs replacing the Error menu will show “**Lamp Error**”.

See page 10 for instructions on changing the lamp. Only use GENUINE OSRAM Lamps.

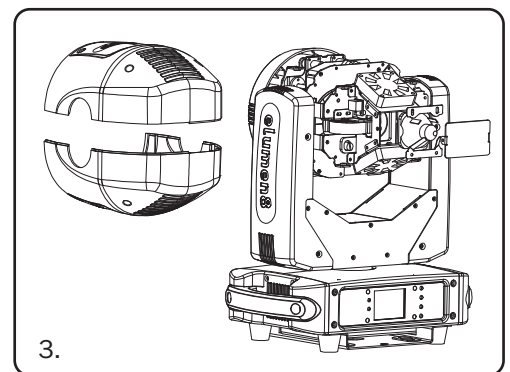
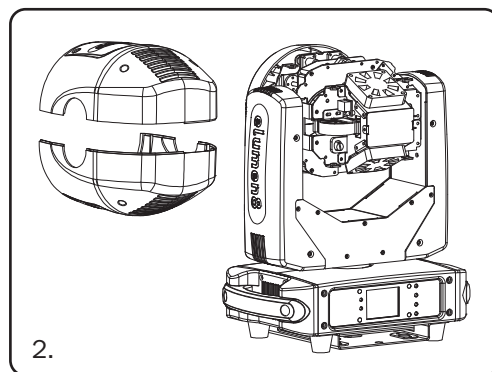
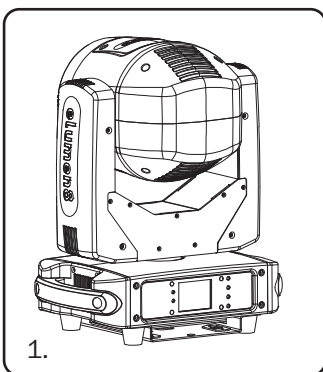
Other branded lamps will cause damage and will void the fixtures warranty.

Disconnect the fixtures power supply before replacing the lamp. Let the fixture cool for a minimum of 60 minutes before replacing the lamp.

Never touch the lamp with bare hands, always wear gloves as oil from hands will shorten the lamps life.

Make sure all covers/casings are replaced/secured before operating the fixture to prevent risk and/or damage to the eyes retina.

Discharge Lamp Installation:

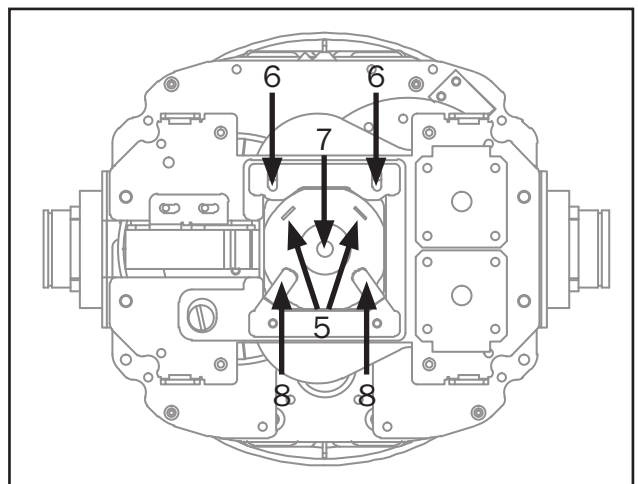
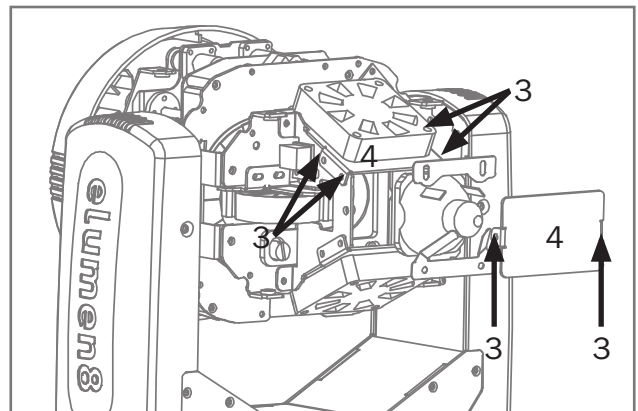
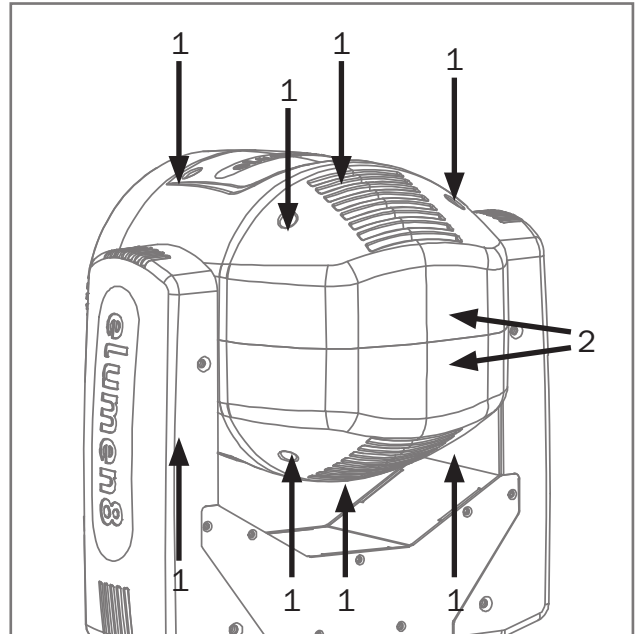


DANGER!

Unplug the fixture from the mains before replacing the lamp!

Inserting a new lamp:

1. Disconnect the fixture from the mains and allow it to cool for a minimum of 60 minutes.
 2. Loosen the 8 screws (1) on the head and remove the head housing (2) to access the lamp compartment.
 3. Loosen the 6 screws (3) on the back of the head and remove the two metal plates (4) to access the lamp compartment.
 4. Remove both Fastons (terminal connectors) (5) from the flat blades of the lamp.
 5. Loosen the 2 screws (6) on the metal latch holding the lamp (do not remove these totally, a half turn will suffice.)
 6. Holding the lamp by the ceramic base (7), gently slide the metal latch upwards and pull the lamp outwards and upwards at the same time to release it from the spring clips (8).
 7. Holding the new lamp by its ceramic base (7), gently inset the lamp into the lamp compartment with the bottom side first to fit into the spring clips. (The Fastons should be facing upwards.)
- Only use the recommended lamp. Damages caused by not following the guidelines outlined in this manual are not subject to warranty. Please follow the lamp manufacturers notes.
- Warning! Do not touch the lamp envelope with bare hands. Should this happen the bulb must be cleaned with a cloth soaked in alcohol and dried once cleaned.
8. Slide both Fastons (5) onto the lamp ensuring the correct wires are attached to the correct Faston (black - left and red - right).
 9. Re-tighten the metal latch ensuring it has been pushed downwards to stop the lamp coming loose (6) and re-insert both metal plates (4) with the 6 screws (3).
 10. Fit the head housing back onto the chassis (2) and tighten with the 8 screws (1).
 11. Connect the fixture to the mains.
 12. Reset the 'Lamp Hours' in the fixtures menu. (See page 15 'Lamp Time' for instructions on how to clear the lamp hours.)

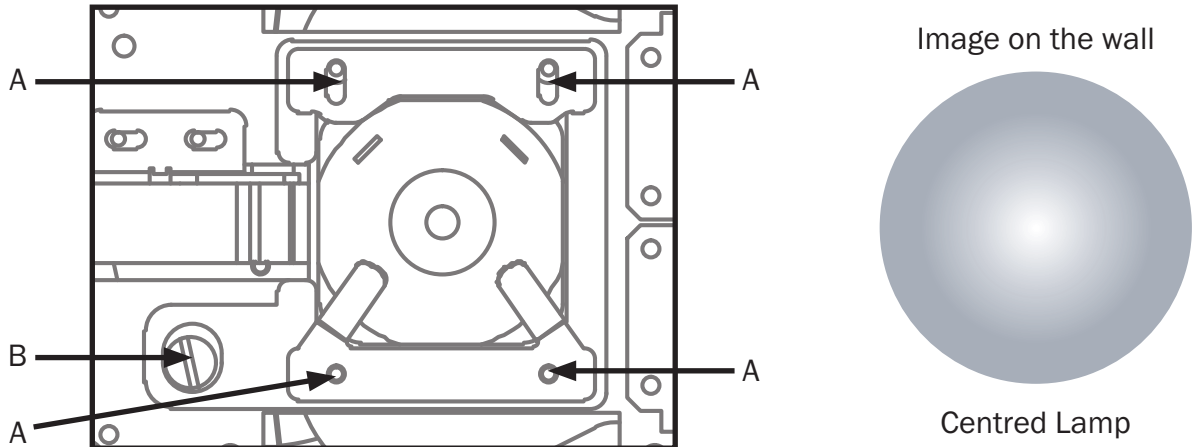


**Never operate this fixture without the lamp!
Do not operate this fixture without all
external covers!**

Lamp adjustment:

The lamp holder is aligned at the factory. Due to slight differences between lamps, the fine adjustment of a lamp may improve the light performance.

For lamp adjustment please use the 4 screws on the lamp assembly plate marked A and the adjustment screw marked B.



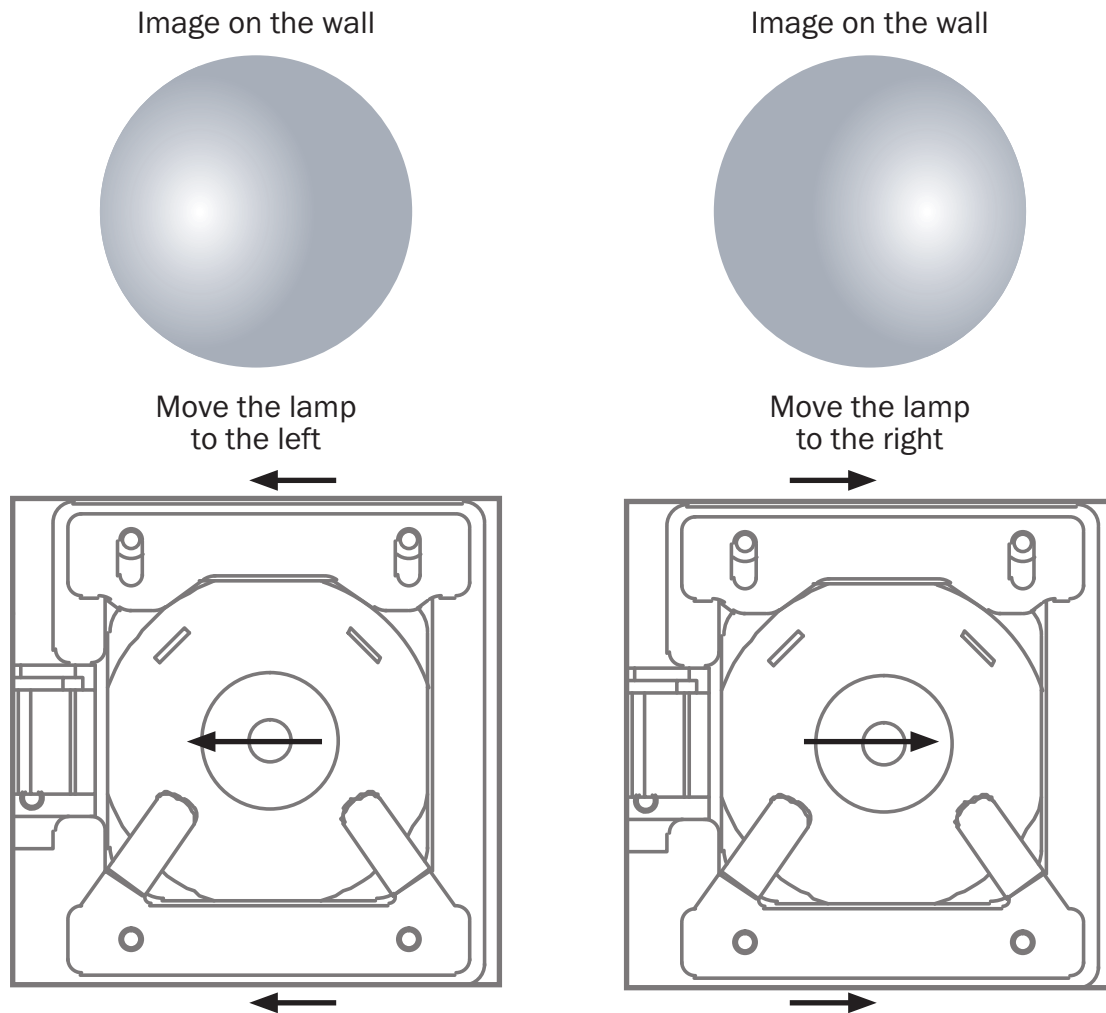
To adjust the lamp in the fixture:

1. Connect the fixture to the mains and switch on the lamp, open the shutter (strobe) and dimmer and set the focus. Colour wheel and gobo wheel should be open and check the image on the wall.
2. Disconnect the fixture from the mains.
3. Loosen the 8 screws (1) on the head and remove the head housing (2) to access the lamp compartment.
4. Loosen the 6 screws (3) on the back of the head and remove the two metal plates (4) to access the lamp compartment.
5. Loosen the 4 screws on the lamp assembly plate labelled (A).
(Do not remove these totally, a half turn will suffice.)
6. Move the lamp into the required position (left/right) by using a suitable flat headed screwdriver inserted into the adjustment screw labelled B and rotate clockwise (lamp moves left)/anti-clockwise (lamp moves right) until the lamp has been adjusted to your requirements.
7. Tighten the 4 screws on the lamp assembly plate (A).
8. Re-insert both metal plates (4) with the 6 screws (3).
9. Fit the head housing back onto the chassis (2) and tighten with the 8 screws (1).
10. Connect the fixture to the mains and check the adjustment is now correct.
11. If the fixture needs further adjustment repeat steps 2-10.

**The lamp MUST be adjusted with the fixture disconnected from the mains!
Do not operate this fixture without all external covers!**

Lamp adjustment continued:

Due to light refraction, the lamp should be moved in the direction of the hotspot to centralise it. Please see diagram below.



Please note: The adjusted hotspot may move during the first 100 hours of lamp operation as the lamp stabilises whilst its burning. Please adjust the lamp if the hotspot moves out of the centre.

Control Panel Menu:

The LCD control panel situated on the front of the fixture allows the user to access the menu system to adjust the fixtures settings.

When the unit has been powered on the display will show “**Software Update**” elumen8 Kudos 2RE Beam. The blue progress bar indicates the fixture performing a motor reset. The fixture will then return to its home screen.

Pressing the “**ENTER**” button once will take the user to the fixtures main menu. Using the “**UP**” and “**DOWN**” buttons you can then navigate between the different options in the main menu. Pressing the “**ENTER**” button on one of these options allows you to access the sub menu where you can use the “**UP**” and “**DOWN**” buttons to select option/value required. Once the option/value has been selected press the “**ENTER**” button once more to confirm the setting.

To exit out of any of the above options, press and hold the “**MENU**” button.



Error Codes:

When the unit is powered on it will automatically perform a motor reset. If there is a problem with any of the motors this will show under the error log in the main menu. Please power the unit off and on to reset the motors again. (The full list of errors codes can be found below).

Errors	Pan Error	Error with Pan Reset/Pan Opto Sensor
	Tilt Error	Error with Tilt Reset/Tilt Opto Sensor
	Shutter Error	Error with Shutter Reset/Shutter Sensor
	Colour Wheel Error	Error with Colour Wheel Reset/Colour Wheel Sensor
	Gobo Wheel Error	Error with Gobo Wheel Reset/Gobo Wheel Sensor
	Prism Error	Error with Prism Reset/Prism Sensor
	Frost Error	Error with Frost Reset/Frost Sensor
	Focus Error	Error with Focus Reset/Focus Sensor
	Lamp Startup Fail	No Lamp fitted/Lamp has Failed
	Lamp Too Hot	Lamp is too hot, (turns lamp off automatically)
	Temperature Error	Fixture too hot/temperature sensor error
	Fan Error	Fan has failed

Main Menu	Sub Menu	Options/Values (Default Settings in BOLD)	Description
1. DMX Address	001 -512		DMX Address Setting
2. Channel Mode	02CH		DMX Channel Mode
	12CH		
	16CH		
3. Show Mode	Show 1		Show Modes
	Show 2		
	Show 3		
	Show 4		
4. Master/Slave	Master		Master Setting
	Slave 1		Slave 1 - Copies the master
	Slave 2		Slave 2 - Copies the master with pan invert
5. Sound	Off		Sound Mode
	On		
6. Sound Sensitivity	000-100 (080)		Sound Sensitivity Setting
7. Manual Control	Pan	000 -255	Manual Control Setting
	Pan Fine		
	Tilt		
	Tilt Fine		
	PT Spd		
	Colour		
	Gobo		
	Strobe		
	Dimmer		
	Prism1		
	Prism1.R		
	Frost		
	Focus		
8. Pan Invert	Off		Pan Invert Setting
	On		
9. Tilt Invert	Off		Tilt Invert Setting
	On		
10. DMX Fail	Hold		DMX Fail Setting
	Blackout		
	Show Mode		
11. Lamp On	Off		Lamp On Setting
	On		
12. Lamp On Power	Off		For the lamp to come on when the fixture is powered on
	On		

Main Menu	Sub Menu	Options/Values (Default Settings in BOLD)		Description
13. Off Via DMX	Off			Sets whether lamp control is accessible via DMX
	On			
14. On if DMX On	Off			Sets whether the lamp is switched on when connected to DMX
	On			
15. Off if DMX Off	Off			Sets whether the lamp is switched off when disconnected from DMX
	On			
16. Ignite Delay	000-255 (30s)			Sets the delay time in seconds before the lamp ignites from power on
17. BL.O P/T	Off			Sets whether the fixture blacks out whilst panning/tilting
	On			
18. BL.O Colour	Off			Sets whether the fixture blacks out whilst changing colour
	On			
19. BL.O Gobo	Off			Sets whether the fixture blacks out whilst changing gobo
	On			
20. Display Backlight	Off			Sets the display backlight
	On			
21. Display Invert	Off			Sets whether the display is inverted or auto inverts
	On			
	Auto			
22. Auto Test	Testing			Tests functions and motors
23. Fixture Time	x:xx			Fixtures total run time (hours:minutes)
24. Lamp Time	Lamps total run time (hours: minutes) x:xx	Password xxx	Password (088)	Lamps total run time (hours: minutes)
		No	Does not clear lamp time	
		Yes	Clears lamp Time	
25. Version	Vx.x			Software Version
26. Motor Reset	No			Motor Reset Setting
	Yes			
27. Factory Settings	No			Factory Defaults Setting
	Yes			

Main Menu	Sub Menu	Options/Values (Default Settings in BOLD)	Description
28. Offset	1. Static Gobo	-128 - 127	Offset Menu
	2. Colour	-128 - 127	
	3. Focus Adj	-128 - 127	
	4. Pan Adj	-128 - 127	
	5. Tilt Adj	-128 - 127	
	6. XY Scan Spd	-128 - 127	
	7. Prism Half	-128 - 127	
	8. Frost Half	-128 - 127	
	9. Dimmer Offset	-128 - 127	
	10. Pan Route	-128 - 127	
	11. Tilt Route	-128 - 127	
	12. Focus Route	-128 - 127	
	13. Prism1 Route	-128 - 127	
	14. Frost Route	-128 - 127	
	15. 7color Route	-128 - 127	
	16. Dimmer Route	-128 - 127	
	17. Check lamp	On/ Off	
29. Errors			Please see page 9 for error codes

DMX channel modes:

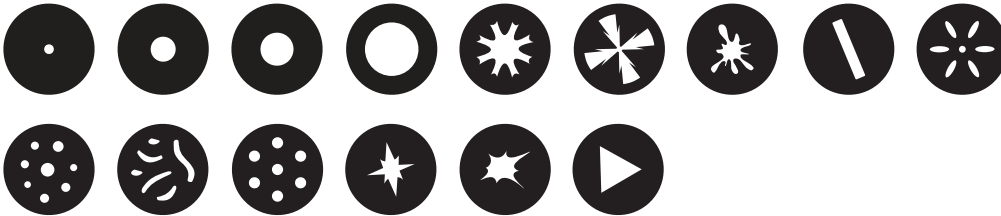
Channel			Value	Function	Default Values
2CH	12CH	16CH			
-	1	1	000-255	Pan movement (8 bit)	127
-	-	2	000-255	Pan fine (16 bit)	127
-	2	3	000-255	Tilt movement (8 bit)	000
-	-	4	000-255	Tilt fine (16 bit)	000
-	3	5	000-255	Pan/tilt speed (fast-slow)	000
-	4	6	Colour Wheel		000
			000-004	Open	
			005-008	Open/Red	
			009-012	Red	
			013-017	Red/Deep Yellow	
			018-021	Deep Yellow	
			022-025	Deep Yellow/Sky Blue	
			026-029	Sky Blue	
			030-034	Sky Blue/Green	
			035-038	Green	
			039-042	Green/Lime Green	
			043-046	Lime Green	
			047-051	Lime Green/UV	
			052-055	UV	
			056-059	UV/Pink	
			060-063	Pink	
			064-068	Pink/Yellow	
			069-072	Yellow	
			073-076	Yellow/Magenta	
			077-081	Magenta	
			082-085	Magenta/Blue	
			086-089	Blue	
			090-093	Blue/3200K	
			094-098	3200K	
			099-102	3200K/Amber	
			103-106	Amber	
			107-110	Amber/5600K	
			111-115	5600K	
116-119	5600K/Deep Blue				
120-123	Deep Blue				
124-127	Deep Blue/Open				
128-190	Colour wheel CW rotation (fast-slow)				
191-255	Colour wheel CCW rotation (slow-fast)				

Channel			Value	Function	Default Values
2CH	12CH	16CH	Gobo Wheel		
-	5	7	000-004	Open	000
			005-009	Gobo 1	
			010-014	Gobo 2	
			015-019	Gobo 3	
			020-024	Gobo 4	
			025-029	Gobo 5	
			030-034	Gobo 6	
			035-039	Gobo 7	
			040-044	Gobo 8	
			045-049	Gobo 9	
			050-054	Gobo 10	
			055-059	Gobo 11	
			060-064	Gobo 12	
			065-069	Gobo 13	
			070-074	Gobo 14	
			075-079	Gobo 15	
			080-084	Gobo 1 Shake (slow to fast)	
			085-089	Gobo 2 Shake (slow to fast)	
			090-094	Gobo 3 Shake (slow to fast)	
			095-099	Gobo 4 Shake (slow to fast)	
			100-104	Gobo 5 Shake (slow to fast)	
			105-109	Gobo 6 Shake (slow to fast)	
			110-114	Gobo 7 Shake (slow to fast)	
			115-119	Gobo 8 Shake (slow to fast)	
			120-124	Gobo 9 Shake (slow to fast)	
125-129	Gobo 10 Shake (slow to fast)				
130-134	Gobo 11 Shake (slow to fast)				
135-139	Gobo 12 Shake (slow to fast)				
140-144	Gobo 13 Shake (slow to fast)				
145-149	Gobo 14 Shake (slow to fast)				
150-154	Gobo 15 Shake (slow to fast)				
155-204	Gobo wheel CW rotation (fast-slow)				
205-255	Gobo wheel CCW rotation (slow-fast)				
-	6	8	Strobe		000
			000-007	Blackout	
			008-015	Open	
			016-131	Strobe (slow-fast)	
			132-139	Open	
			140-181	Strobe (slow open, fast close)	
			182-189	Open	
190-231	Strobe (fast open, slow close)				

Channel			Value	Function	Default Values	
-	6 cont.	8 cont.	Strobe cont.			000
			232-239	Open		
			240-247	Random Strobe (slow-fast)		
			248-255	Open		
-	7	9	Dimmer			000
			000-255	Dimmer (0-100%)		
-	8	10	Prism			000
			000-007	No function		
			008-255	Prism		
-	9	11	Prism Rotation			000
			000-127	Prism Indexing		
			128-191	Prism rotation CW (fast-slow)		
			192-255	Prism rotation CCW (slow-fast)		
-	10	12	Frost			000
			000-007	No function		
			008-255	Frost		
-	11	13	Focus			000
			000-255	Focus		
1	-	14	Show Modes			000
			000-015	No function		
			016-075	Show 1		
			076-135	Show 2		
			136-195	Show 3		
			196-255	Show 4		
2	-	15	Sound Sensitivity			000
			000	No function		
			001-255	Sound Sensitivity (low-high)		

Channel			Value	Function	Default Values	
-	12	16	Settings			000
			000-017	No function		
			018-034	Enable blackout whilst pan/tilt		
			035-051	Disable blackout whilst pan/tilt		
			052-068	Enable blackout whilst colour changing		
			069-085	Disable blackout whilst colour changing		
			086-102	Enable blackout whilst gobo changing		
			103-119	Disable blackout whilst gobo changing		
			120-136	Enable blackout whilst pan/tilt/gobo/colour change		
			137-153	Disable blackout whilst pan/tilt/gobo/colour change		
			154-170	No function		
			171-187	Lamp On		
			188-204	Lamp Off		
			205-221	No function		
			222-328	Motor Reset (hold for 5s)		
			239-255	No function		

Static gobos:



Colours:



Setting the DMX address:

The DMX mode enables the use of a universal DMX controller. Each fixture requires a “start address” from 1- 512. A fixture requiring one or more channels for control begins to read the data on the channel indicated by the start address. For example, a fixture that occupies or uses 7 channels of DMX and was addressed to start on DMX channel 100, would read data from channels: 100, 101, 102, 103, 104, 105 and 106. Choose a start address so that the channels used do not overlap. E.g. the next unit in the chain starts at 107.

DMX 512:

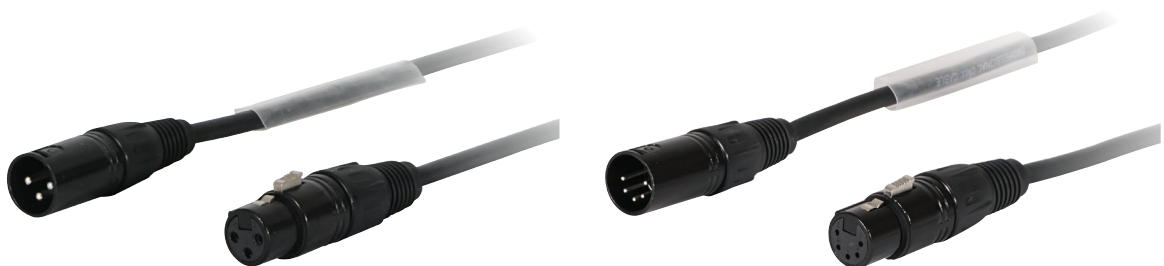
DMX (Digital Multiplex) is a universal protocol used as a form of communication between intelligent fixtures and controllers. A DMX controller sends DMX data instructions from the controller to the fixture. DMX data is sent as serial data that travels from fixture to fixture via the DATA “IN” and DATA “OUT” XLR terminals located on all DMX fixtures (most controllers only have a data “out” terminal).

DMX linking:

DMX is a language allowing all makes and models of different manufactures to be linked together and operate from a single controller, as long as all fixtures and the controller are DMX compliant. To ensure proper DMX data transmission, when using several DMX fixtures try to use the shortest cable path possible. The order in which fixtures are connected in a DMX line does not influence the DMX addressing. For example; a fixture assigned to a DMX address of 1 may be placed anywhere in a DMX line, at the beginning, at the end, or anywhere in the middle. When a fixture is assigned a DMX address of 1, the DMX controller knows to send DATA assigned to address 1 to that unit, no matter where it is located in the DMX chain.

DATA cable (DMX cable) requirements (for DMX operation):

This fixture can be controlled via DMX-512 protocol. The DMX address is set on the back of the unit. Your unit requires either a standard 3-pin or 5-pin XLR connector for data input/output, see images below.



Further DMX cables can be purchased from all good sound and lighting suppliers or Prolight Concepts dealers.

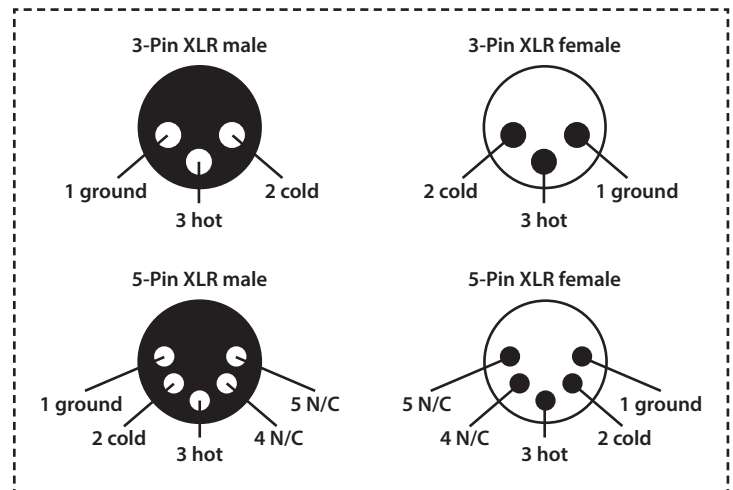
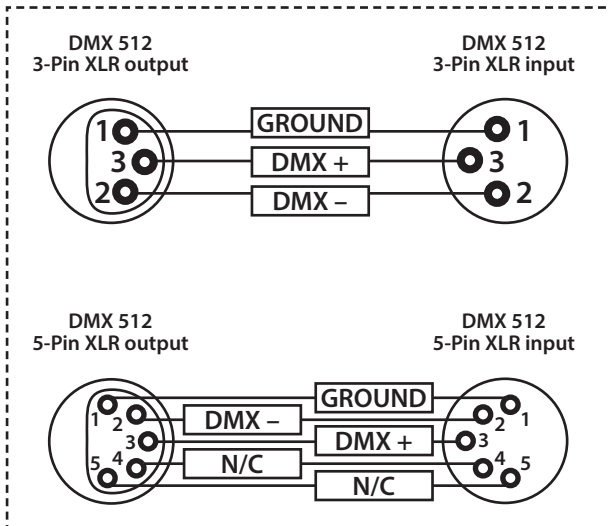
Please quote:	3-Pin:	CABL10 – 2m	CABL11 – 5m	CABL12 – 10m
	5-Pin:	CABL185 – 2m	CABL187 – 5m	CABL188 – 10m

Also remember that DMX cable must be daisy chained and cannot be split.

Notice:

Be sure to follow the diagrams below when making your own cables. Do not connect the cables shield conductor to the ground lug or allow the shield conductor to come in contact with the XLRs outer casing. Grounding the shield could cause a short circuit and erratic behaviour.

Pin Configuration	
3-Pin	5-Pin
	Pin 1 - Ground
	Pin 2 - Negative
	Pin 3 - Positive
-	Pin 4 - N/C
-	Pin 5 - N/C

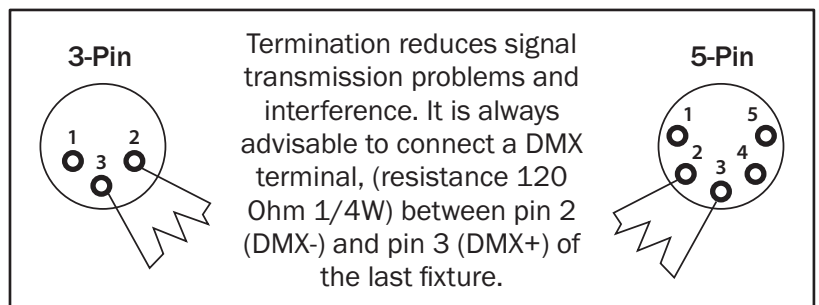


Line termination:

When longer runs of cable are used, you may need to use a terminator on the last unit to avoid erratic behaviour.

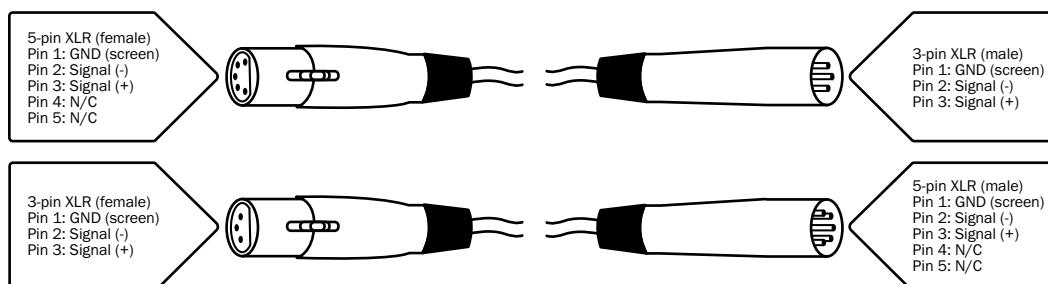
Using a cable terminator will decrease the possibilities of erratic behaviour.

(3-pin - Order ref: CABL90,
5-pin - Order ref: CABL89)



5-pin XLR DMX connectors:

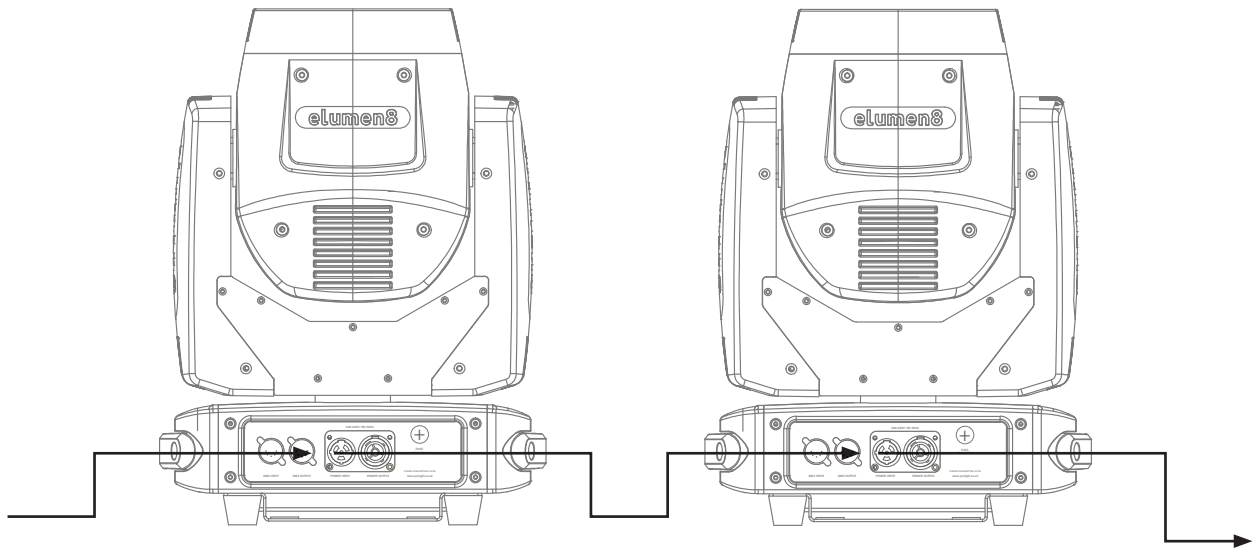
Some manufactures use 5-pin XLR connectors for data transmission in place of 3-pin. 5-pin XLR fixtures may be implemented in a 3-pin XLR DMX line. When inserting standard 5-pin XLR connectors in to a 3-pin line a cable adaptor must be used. The diagram below details the correct cable conversion.



Power linking:

This fixture provides power linking via the power output on the rear allowing multiple units to be connected together. The maximum number of fixtures that can be connected via a 13A mains input is 10 fixtures @ 240V or 5 fixtures @ 120V (including the first fixture). After the maximum number of fixtures are connected a new power run will need to be started.

Please note: Caution should be used when power linking other fixtures to the Kudos 2RE Beam as the power consumption of other fixtures will vary. Fixtures fitted with lamps often require 2/3 times more current on startup, these may require their own power source.





***Correct Disposal of this Product
(Waste Electrical & Electronic Equipment)***

**(Applicable in the European Union and other European countries
with separate collection systems)**

This marking shown on the product or its literature, indicates that it should not be disposed with other household wastes at the end of its working life. To prevent possible harm to the environment or human health from uncontrolled waste disposal, please separate this from other types of wastes and recycle it responsibly to promote the sustainable reuse of material resources.

Household users should contact either the retailer where they purchased this product, or their local government office, for details of where and how they can take this item for environmentally safe recycling.

Business users should contact their supplier and check the terms and conditions of the purchase contract. This product should not be mixed with other commercial wastes for disposal.

