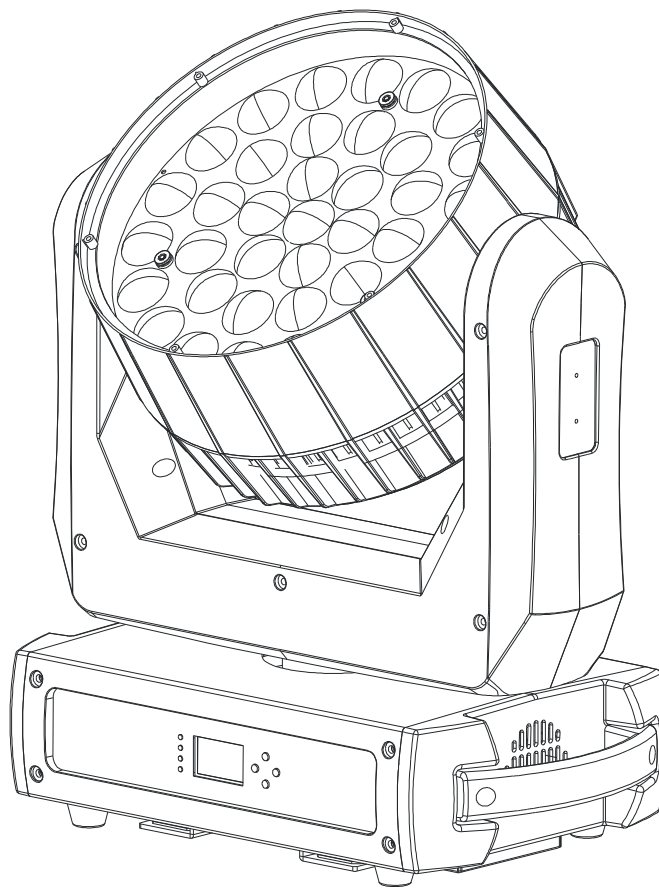


@Lumen8



Kudos 600ZS



Order code: ELUM040

User Manual

Please read the instruction carefully before use

TABLE OF CONTENTS

1. Safety Instructions	2
2. Technical Specifications	3
3. How To Set The Unit	4
3.1 Control panel	4
3.2 Main Function	5
3.3 Home Position Adjustment	13
4. Control By Universal DMX Controller	14
4.1 DMX 512 Connection	14
4.2 Address Setting	15
4.3 DMX 512 Configuration	15
5. Troubleshooting.....	20
6. Fixture Cleaning	21

1. Safety Instructions



WARNING

Please read carefully the instructions which include important information about installation, usage and maintenance.



DANGER!
Safety hazard.
Risk of severe injury or death.



DANGER!
Hazardous voltage. Risk of lethal or severe electric shock



WARNING!
Fire hazard.



WARNING!
LED light emission. Risk of eye injury.



WARNING!
Burn hazard. Hot surface. Do not touch.



WARNING! Refer to user manual.

- Please keep this User Guide for future consultation. If you sell the unit to another user, be sure that they also receive this instruction booklet.
- Please unpack and check carefully there is no transportation damage before using the unit.
- Before operating, ensure that the voltage and frequency of power supply match the power requirements of the unit.
- It's important to ground the yellow/green conductor to earth in order to avoid electric shock.
- The unit is for indoor use only. Use only in a dry location.
- The unit must be installed in a location with adequate ventilation, at least 50cm from adjacent surfaces. Be sure that no ventilation slots are blocked.
- Please disconnect mains power before replacement or servicing.
- Please make sure there are no flammable materials close to the unit while operating as they may be a fire hazard.
- Use a safety cable when installing this unit.
- DO NOT handle the unit with the head. Always handle using the base.
- Maximum ambient temperature is $T_a: 40^{\circ}\text{C}$. DO NOT operate it where the temperature is higher than this.
- Unit surface temperature may reach up to 85°C . DO NOT touch the housing with bare-hands during operation. Turn off the power and allow 15 minutes for the unit to cool down before replacing or servicing.
- In the event of a serious operating problem, stop using the unit immediately. Never try to repair the unit by yourself. Repairs carried out by unskilled people can lead to damage or malfunction.

Please contact the nearest authorized technical assistance center. Always use the same type spare parts.

- DO NOT touch any cables during operation as the high voltage may cause electric shock.

Warning:

- To prevent or reduce the risk of electrical shock or fire, do not expose the unit to rain or moisture.
- The housing, lenses, or the ultraviolet filter must be replaced if they are visibly damaged.

Installation:

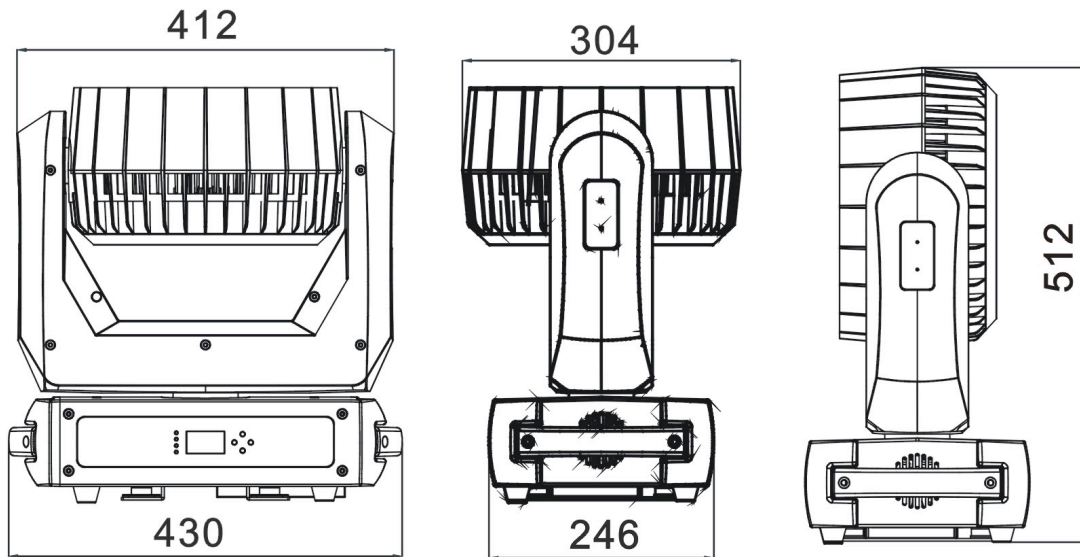
The unit should be mounted via its screw holes on the bracket. Always ensure that the unit is firmly fixed to avoid vibration and slipping while operating. Make sure that the structure to which you are attaching the unit is secure and is able to support a weight of 10 times of the unit's weight. Also always use a safety cable that can hold 12 times of the weight of the unit when installing the fixture.

The equipment must be installed by professionals. It must be installed in a place where is out of the reach of people and no one can pass by or under it.

2. Technical Specifications

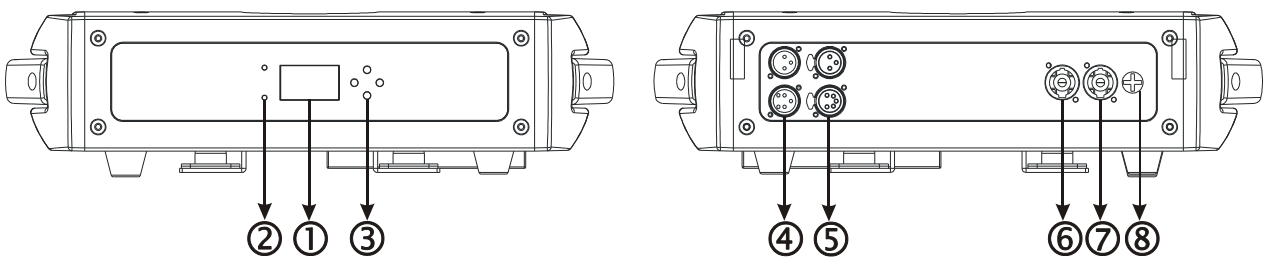
- DMX Channels: 14/26
- Colour macro effect
- Variable strobe effects
- Blue white LCD display for easy navigation
- Perfect for stage, theatre, TV studio, rental and discotheques

- ◇ **Input Voltage:** AC 100 ~ 240V, 50/60Hz
- ◇ **Power Consumption:** 704W
- ◇ **LED Source:** 37 × 10W OSRAM OSTAR LED
- ◇ **Beam Angel:** 10° ~ 60°
- ◇ **Weight:** 19.5Kgs
- ◇ **Dimension:** 430 × 246 × 512mm



3. How To Set The Unit

3.1 Control panel



1. Function Display:

To show the various menus and the selected functions

2. LED:

POWER	ON	Power On
DMX	ON	DMX input present

3. Button:

MENU	To select the programming functions
▼ DOWN	To go backward in the selected functions
▲ UP	To go forward in the selected functions
ENTER	To confirm the selected functions

4. DMX IN: For DMX 512 linking, use a 3/5-pin XLR cable to link the units together.

5. DMX OUT: For DMX 512 linking, use a 3/5-pin XLR cable to link the units together.

6. POWERCON IN: Connect to a mains supply (AC 100~240V, 50/60Hz) via the supplied mains cable.

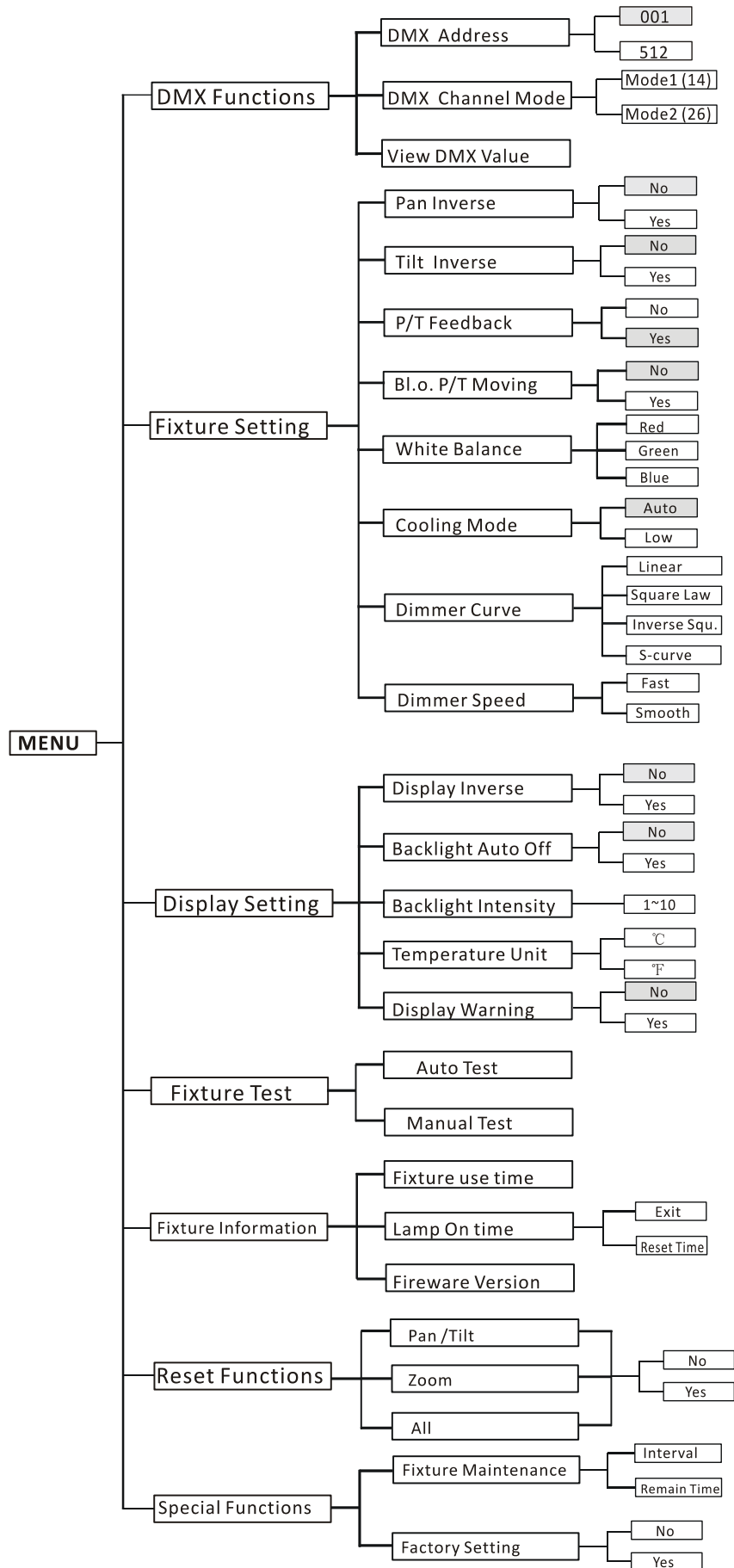
7. POWERCON OUT: Connect to supply power to the next unit.

8. Fuse (T 10A): Protects the unit from electrical damage.

3.2 Main Function

To select any of the given functions, press the **MENU** up button to where the required setting is showing on the display. Select the function with the **ENTER** button and the display will blink. Use the **DOWN** and **UP** buttons to change the mode. Once the required mode has been selected, press the **ENTER** button to setup. To go back to the functions without any changes press the **MENU** button again. Hold and press the **MENU** button for one second or wait for one minute to exit the menu mode.

The main functions are shown overleaf:



DMX Functions

Enter MENU mode, select **DMX Functions**, press the **ENTER** button to confirm, use the **UP/DOWN** buttons to select **DMX Address**, **DMX Channel Mode** or **View DMX Value**.

DMX Address

To select **DMX Address**, press the **ENTER** button to show **DMX ADDRESS** on the display. Use the **UP/DOWN** buttons to adjust the address from **001** to **512**, press the **ENTER** button to setup. To go back to the functions without any changes press the **MENU** button again. Hold and press the **MENU** button for one second or wait for one minute to exit the menu mode.

DMX Channel Mode

To select **DMX Channel Mode**, press the **ENTER** button to show **DMX CHANNEL MODE** on the display. Use the **UP/DOWN** buttons to select **Mode1 (14)** or **Mode2 (26)**, and press the **ENTER** button to setup. To go back to the functions without any changes press the **MENU** button again. Hold and press the **MENU** button for one second or wait for one minute to exit the menu mode.

View DMX Value

To select **View DMX Value**, press the **ENTER** button to show **VIEW DMX VALUE** on the display. Use the **UP/DOWN** buttons to view the DMX channel values. To go back to the functions without any changes press the **MENU** button again. Hold and press the **MENU** button for one second or wait for one minute to exit the menu mode.

Fixture Setting

Enter MENU mode, select **Fixture Setting**, press the **ENTER** button to confirm, use the **UP/DOWN** buttons to select **Pan Inverse**, **Tile Inverse**, **P/T Feedback**, **BL.O. P/T Moving**, **White Balance**, **Cooling Mode**, **Dimmer Curve** or **Dimmer Speed**.

Pan Inverse

To select **Pan Inverse**, press the **ENTER** button to show **PAN INVERSE** on the display. Use the **UP/DOWN** button to select **No** (normal) or **Yes** (pan inverse), press the **ENTER** button to setup. To go back to the functions without any changes press the **MENU** button again. Hold and press the **MENU** button for one second or wait for one minute to exit the menu mode.

Tilt Inverse

To select **Tilt Inverse**, press the **ENTER** button to show **TILT INVERSE** on the display. Use the **UP/DOWN** buttons to select **No** (normal) or **Yes** (tilt inverse), press the **ENTER** button to setup. To go back to the functions without any changes press the **MENU** button again. Hold and press the **MENU** button for one second or wait for one minute to exit the menu mode.

P/T Feedback

To select **P/T Feedback**, press the **ENTER** button to show **PAN/TILT FEEDBACK** on the display. Use the **UP/DOWN** buttons to select **No** (Pan or tilt's position will not feedback while out of step) or **Yes** (Feedback while pan/tilt out of step), press the **ENTER** button to setup. To go back to the functions without any changes press the **MENU** button again. Hold and press the **MENU** button for one second or wait for one minute to exit the menu mode.

BL.O. P/T Moving

To select **BL.O. P/T Moving**, press the **ENTER** button to show **BLACKOUT WHILE PAN/TILT MOVING** on the display, use the **UP/DOWN** button to select **No** (normal while pan/tilt moving) or **Yes** (blackout while pan/tilt moving), press the **ENTER** button to setup. To go back to the functions without any changes press the **MENU** button again. Hold and press the **MENU** button for one second or wait for one minute to exit the menu mode.

White Balance

To select **White Balance**, press the **ENTER** button to show **WHITE BALANCE** on the display, use the **UP/DOWN** buttons to select **Red**, **Green** or **Blue**. Once selected, press the **ENTER** button to confirm, and use the **UP/DOWN** button to adjust the value from **125** to **255**, press the **ENTER** button to setup. To go back to the functions without any changes press the **MENU** button again. Hold and press the **MENU** button for one second or wait for one minute to exit the menu mode.

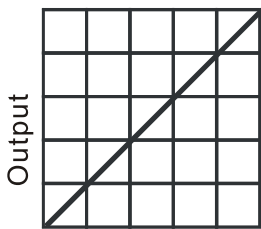
Cooling Mode

To select **Cooling Mode**, press the **ENTER** button to show **COOLING MODE** on the display. Use the **UP/DOWN** buttons to select **Auto** (Normal) or **Low** (Low speed). Once selected, press the **ENTER** button to setup. To go back to the functions without any changes press the **MENU** button again. Hold and press the **MENU** button for one second or wait for one minute to exit the menu mode.

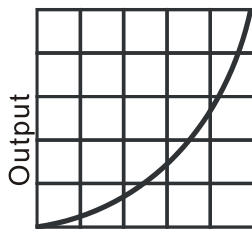
Dimmer Curve

To select **Dimmer Curve**, press the **ENTER** button to show **DIMMER CURVE** on the display, use the **UP/DOWN** buttons to select **Linear**, **Square Law**, **Inverse Squ.** or **S-curve**. Once selected, press the **ENTER** button to store. To go back to the functions without any changes press the **MENU** button again. Hold and press the **MENU** button for one second or wait for one minute to exit the menu mode.

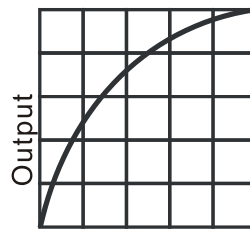
Dimmer Modes:



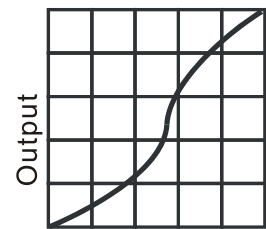
DMX%
(Optically Linear)



DMX%
(Square Law)



DMX%
(Inverse Square Law)



DMX%
(S-Curve)

Linear: The increase in light intensity appears to be linear as DMX value is increased.

Square Law: Light intensity control is finer at low levels and coarser at high levels.

Inverse Square Law: Light intensity control is coarser at low levels and finer at high levels.

S-cure: Light intensity control is finer at low levels and high levels and coarser at medium levels.

Dimmer Speed

To select **Dimmer Speed**, press the **ENTER** button to show **DIMMER SPEED** on the display. Use the **UP/DOWN** buttons to select **Fast** or **Smooth**. Once selected, press the **ENTER** button to setup. To go back to the functions without any changes press the **MENU** button again. Hold and press the **MENU** button for one second or wait for one minute to exit the menu mode.

Display Setting

Enter **MENU** mode, select **Display Setting**, press the **ENTER** button to confirm, use the **UP/DOWN** buttons to select **Display Inverse**, **Backlight Auto Off**, **Backlight Intensity**, **Temperature unit** or **Display Warning**.

Display Inverse

To select **Display Inverse**, press the **ENTER** button to show **DISPLAY INVERSE** on the display. Use the **UP/DOWN** buttons to select **No** (normal) or **Yes** (display inverse). Once selected, press the **ENTER** button to store. To go back to the functions without any changes press the **MENU** button again. Hold and press the **MENU** button for one second or wait for one minute to exit the menu mode.

Backlight Auto Off

To select **Backlight Auto Off**, press the **ENTER** button to show **BACKLIGHT AUTO OFF** on the display. Use the **UP/DOWN** buttons to select **No** (display always on) or **Yes** (display goes off one minute after exiting menu mode). Once selected, press the **ENTER** button to confirm and store. To go back to the functions without any changes press the **MENU** button again. Hold and press the **MENU** button for one second or wait for one minute to exit the menu mode.

Backlight Intensity

To select **Backlight Intensity**, press the **ENTER** button to show **BACKLIGHT INTENSITY** on the display. Use the **UP/DOWN** buttons to adjust the intensity from **1** (dark) to **10** (bright). Once selected, press the **ENTER** button to setup and store. To go back to the functions without any changes press the **MENU** button again. Hold and press the **MENU** button for one second or wait for one minute to exit the menu mode.

Unit Temperature

To Select **Unit Temperature**, press the **ENTER** button to show **TEMPERATURE UNIT** on the display. Use the **UP/DOWN** buttons to select or , press the **ENTER** button to store. To go back to the functions without any changes press the **MENU** button again. Hold and press the **MENU** button for one second or wait for one minute to exit the menu mode.

Display Warning

To select **Display Warning**, press the **ENTER** button to show **DISPLAY WARNING** on the display. Use the **UP/DOWN** buttons to select **No** (Normal) or **Yes** (display will show the error warning of when the unit had a fault), press the **ENTER** button to store. To go back to the functions without any changes press the **MENU** button again. Hold and press the **MENU** button for one second or wait for one minute to exit the menu mode.

Fixture Test

Enter **MENU** mode, select **Fixture Test**, press the **ENTER** button to confirm, use the **UP/DOWN** buttons to select **Auto Test** or **Manual Test**

Auto Test

To select **Auto Test**, press the **ENTER** button to show **AUTO TEST** on the display. Press the **ENTER** button and the unit will run built-in programs to automatically test pan, tilt and zoom. Hold and press the **MENU** button back to the last menu or exit menu mode after auto test.

Manual Test

To select **Manual Test**, press the **ENTER** button to show **MANUAL TEST** on the display. Press the **ENTER** buttons, and then use the **UP/DOWN** button to select channel, and adjust the channel value. Once selected, press the **ENTER** button to setup, the fixture will run as the channel value indicates. To go back to the functions without any changes press the **MENU** button again. Hold and press the **MENU** button for one second or wait for one minute to exit the menu mode.

(All channels value will become 0 after exiting **Manual Test** menu)

Fixture Information

Enter **MENU** mode, select **Fixture Information**, press the **ENTER** button to confirm, use the **UP/DOWN** buttons to select **Fixture use time**, **Lamp On time** or **Firmware Version**.

Fixture use time

To select **Fixture use time**, press the **ENTER** button to show **FIXTURE USE TIME** on the display. Hold and press the **ENTER** button, the fixture working hours will show on the display. Press the **MENU** button to exit.

Lamp On time

To select **Lamp On time**, press the **ENTER** button to show **LAMP ON TIME** on the display. Press the **ENTER** button to confirm, then use the **UP/DOWN** buttons to select **Exit** or **Reset Time**, press the **ENTER** button to store. To go back to the functions without any changes press the **MENU** button again. Hold and press the **MENU** button for one second or wait for one minute to exit the menu mode.

Firmware Version

To select **Firmware Version**, press the **ENTER** button to show **FIRMWARE VERSION** on the display. Press the **ENTER** button and the fixture software version will show on the display. Hold and press the **MENU** button to exit.

Reset Functions

Enter MENU mode, select **Reset Function**, press the **ENTER** button to confirm, use the **UP/DOWN** buttons to select **Pan/Tilt**, **Zoom** or **All**.

Pan/Tilt

To Select **Pan/Tilt**, press the **ENTER** button to show the **PAN/TILT** on the display. Use the **UP/DOWN** buttons to select **Yes** (the unit will run a built-in program to reset pan and tilt to their home positions) or **No**, press the **ENTER** button to store. Hold and press the **MENU** button to exit menu mode.

Zoom

To select **Zoom**, press the **ENTER** button to show **ZOOM** on the display. Use the **UP/DOWN** buttons to select **Yes** (the unit will run a built-in program to reset **the** zoom to its home position) or **No**, press the **ENTER** button to store. Hold and press the **MENU** button to exit menu mode.

All

To select **All**, press the **ENTER** button to show **ALL** on the display. Use the **UP/DOWN** buttons to select **Yes** (the unit will run a built-in program to reset all motors to their home positions) or **No**, press **ENTER** button to store. Hold and press **MENU** button to exit menu mode.

Special Functions

Enter MENU mode, select **Special Functions**, press the **ENTER** button to confirm, use the **UP/DOWN** buttons to select **Fixture Maintenance** or **Factory Setting**.

Fixture Maintenance

To select **Fixture Maintenance**, press the **ENTER** button to show the **FIXTURE MAINTENANCE** on the display. Use the **UP/DOWN** buttons to select **Interval** or **Remain Time**.

Interval

To select **Interval**, press the **ENTER** button to confirm, the interval time will be shown on the display. Hold and press the **MENU** button to exit.

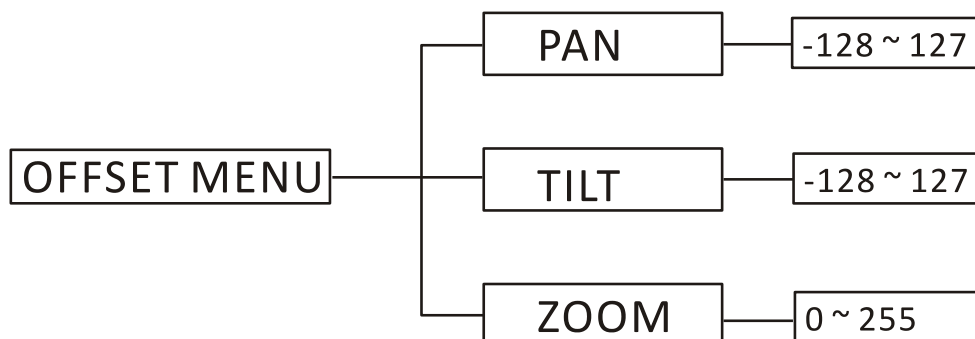
Remain Time

To select **Remain Time**, press the **ENTER** button to confirm, the remaining time will be shown on the display. Press the **ENTER** button to confirm, use the **UP/DOWN** buttons to select **Exit** or **Reset time**, hold and press the **MENU** button to exit.

Factory Setting

To select **Factory Setting**, press the **ENTER** button to show the **FACTORY SETTING** on the display. Press the **ENTER** button to confirm, use the **UP/DOWN** buttons to select **No** or **Yes** (the fixture will reset to factory settings and exit menu mode).

3.3 Home Position Adjustment

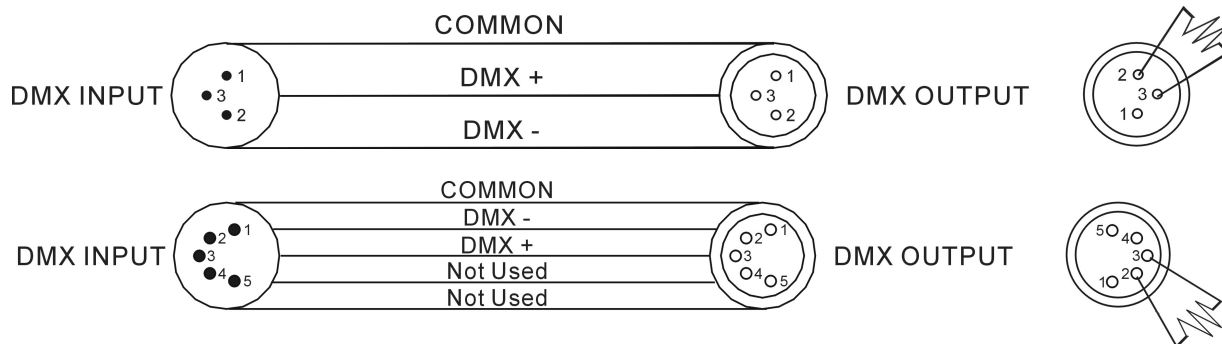
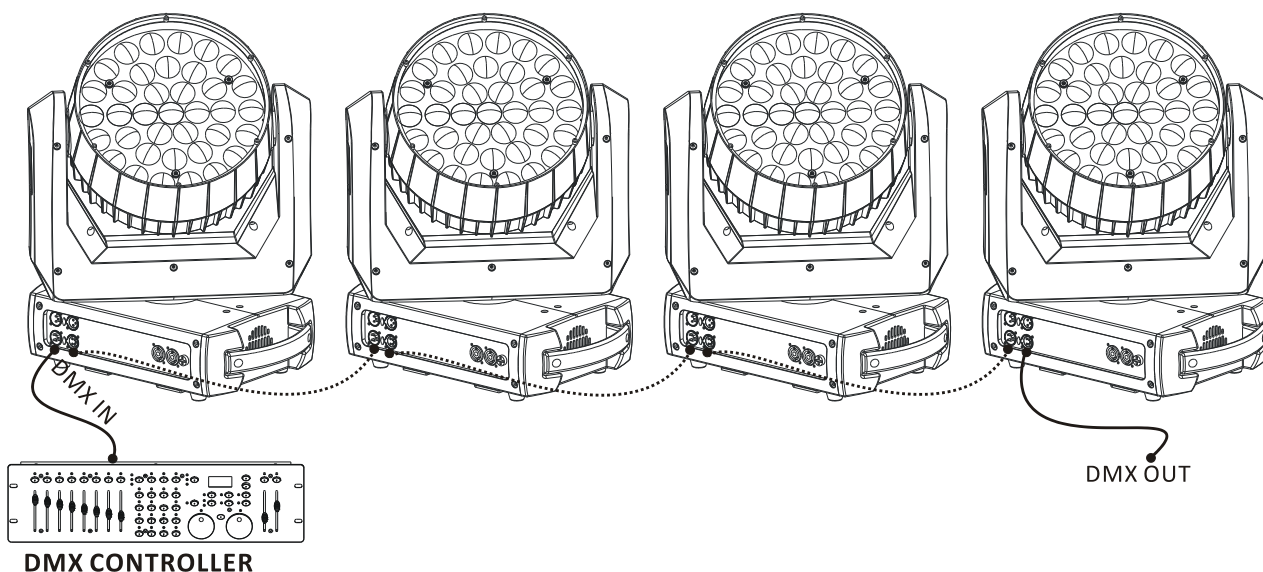


In the main functions, hold the **ENTER** button for at least 3 seconds to go into offset mode, use the **DOWN/UP** buttons to select **Pan** Offset, **Tilt** Offset or **Zoom** Offset, and press the **ENTER** button to confirm. Use the **DOWN/UP** button to adjust the home position of the Pan, Tilt or Zoom,

Once the position has been selected, press the **ENTER** button to setup, to go back to the functions without any changes press the **MENU** button again. Hold and press the **MENU** button for one second or wait for one minute to exit the menu mode.

4. Control By Universal DMX Controller

4.1 DMX 512 Connection



1. The last unit in the DMX chain has to be terminated with a DMX terminator. Solder a 120 ohm 1/4W resistor between pin 2(DMX-) and pin 3(DMX+) into a 3-pin XLR-plug and plug it in the DMX-output of the last unit. Alternatively you can purchase a ready- made termination plug.
2. Connect the units together in a `daisy chain` by using the XLR plug from the output of one unit to the input of the next unit. The cable cannot be branched or split to a `Y` cable. The DMX output and input connectors are of pass-through type to maintain the DMX circuit, when one of the units' power is disconnected.

3. Each unit needs to have an address set to receive the data sent by the controller. The address number is between 0-511 (usually 0 & 1 are equal to 1).
4. The end of the DMX 512 system should be terminated to reduce signal errors.
 - 3 pin XLR: Pin 1: GND, Pin 2: Negative signal (-), Pin 3: Positive signal (+)
 - 5 pin XLR: Pin 1: GND, Pin 2: Negative signal (-), Pin 3: Positive signal (+)
 - Pin 4/Pin 5: Not used.

4.2 Address Setting

If you use a universal DMX controller to control the units, you have to set DMX address from 1 to 512 so that the units can receive the DMX signal.

Press the **MENU** button to enter menu mode, select the **DMX Address**, press the **ENTER** button to confirm, the present address will blink on the display, use the **UP** and **DOWN** button to adjust the address from 001 to 512, press the **ENTER** button to save. Press the **MENU** button to return back to the last menu or leave the unit idle for 7 seconds to exit the menu mode.

Please refer to the following diagram to address your DMX 512 channel for the first 4 units:

Channel mode	Unit 1 Address	Unit 2 Address	Unit 3 Address	Unit 4 Address
14 channels	1	15	29	43
26 channels	1	27	53	79

4.3 DMX 512 Configuration

14 Channels Mode:

CHANNEL	VALUE	FUNCTION
1	000-255	PAN
2	000-255	PAN FINE
3	000-255	TILT
4	000-255	TILT FINE

5	000-255	PAN/TILT SPEED fast → slow
6	000-009 010-014 015-255	SPECIAL FUNCTIONS No function Reset No function
7	000-255	DIMMER 0%~100%
8	000-019 020-024 025-064 065-069 070-084 085-089 090-104 105-109 110-124 125-129 130-144 145-149 150-164 165-169 170-184 185-189 190-204 205-209 210-224 225-229 230-244 245-255	SHUTTER Blackout Open Strobe 1: fast →slow Open Strobe 2: opening pulse, fast →slow Open Strobe 3: closing pulse, fast →slow Open Strobe 4: random strobe, fast →slow Open Strobe 5: random opening pulse, fast →slow Open Strobe 6: random closing pulse, fast →slow Open Strobe 7: burst pulse, fast →slow Open Strobe 8: random burst pulse, fast →slow Open Strobe 9: sine wave, fast →slow Open Strobe 10: burst, fast →slow Open
9	000-255	RED (0% → 100%)
10	000-255	GREEN (0% → 100%)
11	000-255	BLUE (0% → 100%)
12	000-255	WHITE (0% → 100%)
13	000-009 010-014 015-019 020-024 025-029 030-034 035-039	COLOUR MACRO Open LEE 790 – Moroccan Pink LEE 157 – Pink LEE 332 – Special Rose Pink LEE 328 – Follies Pink LEE 345 – Fuchsia Pink LEE 194 – Surprise Pink

	040-044 045-049 050-054 055-059 060-064 065-069 070-074 075-079 080-084 085-089 090-094 095-099 100-104 105-109 110-114 115-119 120-124 125-129 130-134 135-139 140-144 145-149 150-154 155-159 160-164 165-169 170-174 175-179 180-201 202-207 208-229 230-234 235-239 240-244 245-249 250-255	LEE 181 – Congo Blue LEE 071 – Tokyo Blue LEE 120 – Deep Blue LEE 079 – Just Blue LEE 132 – Medium Blue LEE 200 – Double CT Blue LEE 161 – State Blue LEE 201 – Full CT Blue LEE 202 – Half CT Blue LEE 117 – Steel Blue LEE 353 – Lighter Blue LEE 118 – Light Blue LEE 116 – Medium Blue Green LEE 124 – Dark Green LEE 139 – Primary Green LEE 089 – Moss Green LEE 122 – Fern Green LEE 738 – JAS Green LEE 088 – Lime Green LEE 100 – Spring Yellow LEE 104 – Deep Amber LEE 179 – Chrome Orange LEE 105 – Orange LEE 021 – Gold Amber LEE 778 – Millennium Gold LEE 135 – Deep Gold Amber LEE 164 – Flame Red Open Colour wheel rotation effect Clockwise, fast → slow Stop (this will stop wherever the colour is at the time) Counter-clockwise, slow → fast Open Random colour Fast Medium Slow Open
14	000-255	ZOOM wide → narrow

26 Channels Mode:

CHANNEL	VALUE	FUNCTION
1	000-255	PAN
2	000-255	PAN FINE
3	000-255	TILT
4	000-255	TILT FINE
5	000-255	PAN/TILT SPEED fast → slow
6	000-255	ZOOM wide → narrow
7	000-009 010-014 015-255	SPECIAL FUNCTIONS No function Reset No function
8	000-255	DIMMER 0%~100%
9	000-019 020-024 025-064 065-069 070-084 085-089 090-104 105-109 110-124 125-129 130-144 145-149 150-164 165-169 170-184 185-189 190-204 205-209 210-224 225-229 230-244 245-255	SHUTTER Blackout Open Strobe 1: fast →slow Open Strobe 2: opening pulse, fast →slow Open Strobe 3: closing pulse, fast →slow Open Strobe 4: random strobe, fast →slow Open Strobe 5: random opening pulse, fast →slow Open Strobe 6: random closing pulse, fast →slow Open Strobe 7: burst pulse, fast →slow Open Strobe 8: random burst pulse, fast →slow Open Strobe 9: sine wave, fast →slow Open Strobe 10: burst, fast →slow Open
10	000-255	RING 1 RED (0% → 100%)
11	000-255	RING 1 GREEN (0% → 100%)

12	000-255	RING 1 BLUE (0% → 100%)
13	000-255	RING 1 WHITE (0% → 100%)
14		RING 1 COLOUR PRESET
	000-009	Open
	010-017	Colour1
	018-024	Colour2
	025-032	Colour3
	033-039	Colour4
	040-047	Colour5
	048-054	Colour6
	055-061	Colour7
	062-069	Colour8
	070-076	Colour9
	077-084	Colour10
	085-091	Colour11
	092-099	Colour12
	100-106	Colour13
	107-113	Colour14
	114-121	Colour15
	122-128	Colour16
	129-136	Colour17
	137-143	Colour18
	144-151	Colour19
	152-158	Colour20
	159-165	Colour21
	166-173	Colour22
	174-180	Colour23
	181-188	Colour24
	189-195	Colour25
	196-203	Colour26
	204-210	Colour27
	211-217	Colour28
	218-225	Colour29
	226-232	Colour30
	233-240	Colour31
	241-247	Colour32
	248-255	Colour33
15	000-255	RING 2 RED (0% → 100%)
16	000-255	RING 2 GREEN (0% → 100%)
17	000-255	RING 2 BLUE (0% → 100%)
18	000-255	RING 2 WHITE (0% → 100%)
19	000-255	RING 2 COLOUR PRESET (The same as CH14: RING 1 COLOUR PRESET)

20	000-255	RING 3 RED (0% → 100%)
21	000-255	RING 3 GREEN (0% → 100%)
22	000-255	RING 3 BLUE (0% → 100%)
23	000-255	RING 3 WHITE (0% → 100%)
24	000-255	RING 3 COLOUR PRESET (The same as CH14: RING 1 COLOUR PRESET)
25	000-007 008-022 023-037 038-052 053-067 068-082 083-097 098-112 113-127 128-142 143-157 158-172 173-187 188-202 203-217 218-232 233-247 248-255	RING COLOUR MACRO Blackout Macro1 Macro2 Macro3 Macro4 Macro5 Macro6 Macro7 Macro8 Macro9 Macro10 Macro11 Macro12 Macro13 Macro14 Macro15 Macro16 Macro17
26	000-255	COLOUR MACRO SPEED Slow → fast

5. Troubleshooting

Following are a few common problems that may occur during operation. Here are some suggestions for easy troubleshooting:

A. The unit does not work, no light and the fan does not work

1. Check the connection of power and main fuse.
2. Check for mains voltage on the main input.
3. Check the power on LED.

B. Not responding to DMX controller

1. DMX LED should be on. If not, check the DMX connectors and cables to see if linked correctly.
2. If the DMX LED is on but no response from the desk, check the address settings and DMX polarity.
3. If you have intermittent DMX signal problems, check the cables or connectors of the unit or the previous one.
- 4.

6. Fixture Cleaning

The cleaning must be carried out periodically to optimize light output. Cleaning frequency depends on the environment in which the fixture operates: damp, smoky or particularly dirty surrounding can cause greater accumulation of dirt on the unit's optics.

- Clean with soft cloth using normal glass cleaning fluid.
- Always dry the parts carefully.
- Clean the external optics at least every 30 days.

Declaration of Conformity

We declare that our products (lighting equipments) comply with the following specification and bears CE mark in accordance with the provision of the Electromagnetic Compatibility (EMC) Directive 89/336/EEC.

EN55103-1: 2009 ; EN55103-2: 2009; EN62471: 2008;
EN61000-3-2: 2006 + A1:2009 + A2:2009; EN61000-3-3: 2008.

&

Harmonized Standard

EN 60598-1:2008 + All:2009; EN 60598-2-17:1989 + A2:1991; EN 62471:2008;
EN 62493: 2010
Safety of household and similar electrical appliances
Part 1: General requirements

English



**Correct Disposal of This Product
(Waste Electrical & Electronic Equipment)**

(Applicable in the European Union and other European countries with separate collection systems)

This marking shown on the product or its literature, indicates that it should not be disposed with other household wastes at the end of its working life. To prevent possible harm to the environment or human health from uncontrolled waste disposal, please separate this from other types of wastes and recycle it responsibly to promote the sustainable reuse of material resources.

Household users should contact either the retailer where they purchased this product, or their local government office, for details of where and how they can take this item for environmentally safe recycling.

Business users should contact their supplier and check the terms and conditions of the purchase contract. This product should not be mixed with other commercial wastes for disposal.

Innovation, Quality, Performance