

EPS Series

Electric Projector Screen

Item refs: 952.321UK/952.322UK/952.323UK/952.324UK/952.325UK

User Manual

CAUTION

Please read through this manual carefully before use. This product is strictly for indoor use only, please install this product in dry and cool environment and keep out of moist and source of heat



Please do not open cover, contain high voltage.
This product is not serviceable or repairable by end user.
Please contact approved professional in case product fails to operate.

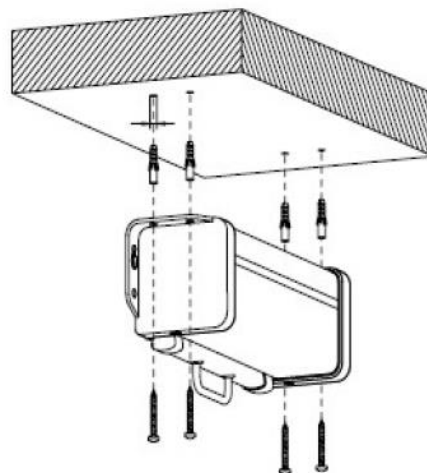
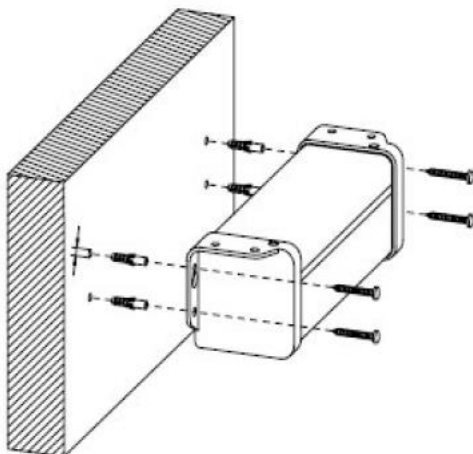


Thank you for choosing this AV:Link electric projector screen. This large format projector screen has a built-in electric motor controlled via the in-line switch or remote control. The screen is housed in a white steel case with mounting brackets on either end, allowing installation onto ceilings or walls. The screen itself has a weighted bottom bar to prevent the screen jamming in the case or curling.

Installation:

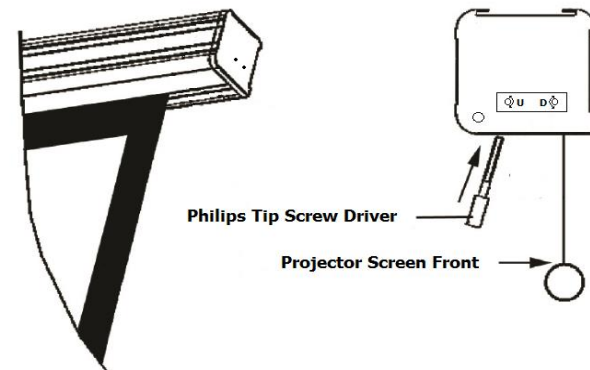
Before installation please ensure a mains socket is available within 1.5m distance of where the inline controller is going to be installed and ensure the unit is not plugged in during the process of installation.

This electric projector screen is suitable for both wall or ceiling mounting, it is important the unit is installed accurately using a spirit level to ensure the screen can operate correctly & safely.

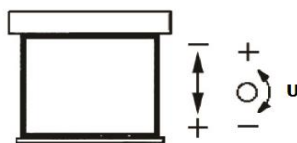


Screen position adjustment:

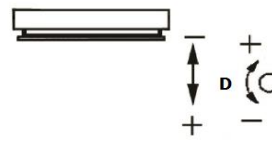
All electric projector screens will be pre-adjusted. If adjustment is required, the switch is located at the right hand side of the projector screen on the end cap. A Philips tip screwdriver will be required for adjustment. Please do not forcibly pull down the screen. Two separate switches set the open and close positions by turning the adjustment screw within, the open and closed stop positions can be adjusted.



Open Position Adjustment

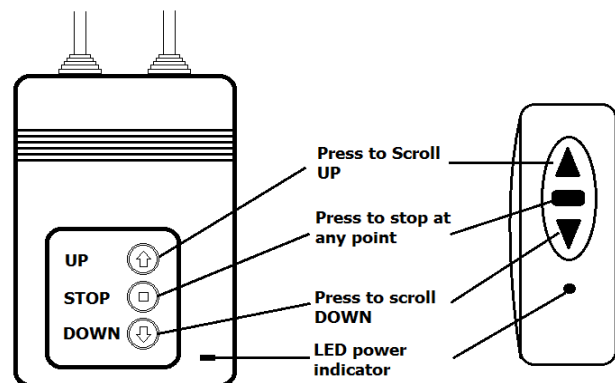


Close Position Adjustment



Control:

This projector screen is supplied with an in-line controller and a remote control to operate the screen:



Maintenance:

Maintenance and service of the unit should not be required throughout the duty life of the product. We recommend dusting the unit on regular basis using a dry microfibre cloth. Use a slightly damp microfibre cloth to remove any stains with max 5% soap solution. Always ensure the surface is completely dry before closing the screen.



This product is classed as Electrical or Electronic equipment and should not be disposed with other household or commercial waste at the end of its useful life. The goods must be disposed of according to your local council guidelines

*Errors and omissions excepted.
Copyright© 2014. AVSL Group Ltd.*