

# INSTALLATION MANUAL

## HEALTH-SCREEN SET 100x75 FREE

ORDER CODE: B06702


### Warning

Please read this manual before starting the installation to ensure correct assembly. The assembly should be carried out in accordance with this manual by two qualified people. HILEC shall not be liable for any injuries or damage to material or property caused by incorrect assembly. During the assembly all the instructions are followed carefully. Failure to do so may result in damage to the product or property, or even personal injury.

### Unpacking

The set consists of:

8pcs M5x16 BOLT  ref. A1

1pc Allan key 3mm  ref. A2

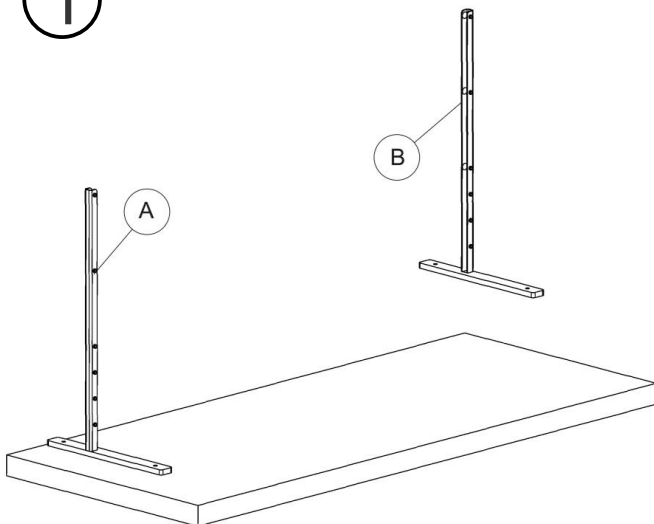
1pc Metal adapter left ref. A

1pc Metal adapter right ref. B

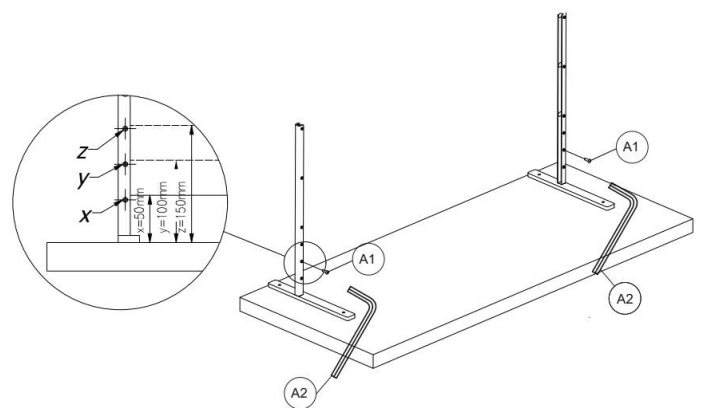
1pc Plexiglass panel 75x100cm ref. C

**Hilec**  
LIGHT & SOUND ACCESSORIES

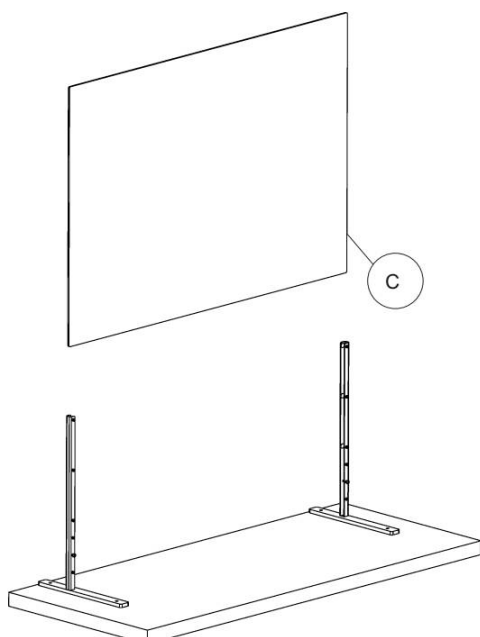
1



2



3



4

