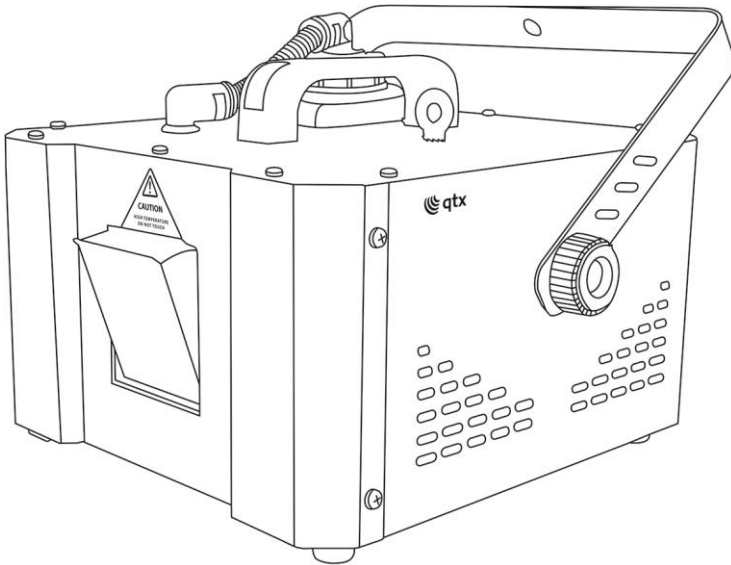


VAPYR-900

Haze Machine

Item ref: 160.488UK

User Manual



Version 1.0



Caution: Please read this manual carefully before operating
Damage caused by misuse is not covered by the warranty

Introduction

Thank you for purchasing the VAPYR-900 haze machine. This product has been designed to provide controlled haze effects for stage productions and themed events. Please read and keep this manual in order to achieve the best results from this equipment and avoid damage through misuse.

Unpacking

The product should arrive with you in good condition with the following components.

- VAPYR-900 haze machine
- Timer remote control
- Mains lead(s)

If you find any accessory is missing or the machine has arrived with any problems, please contact your local dealer at once. Please keep the original package and invoice for any possible replacement or returned demand.

Warning

To prevent risk of fire or electric shock, do not expose electrical parts to rain or moisture. If liquids are spilled on areas other than inside the fluid tank, disconnect the mains, allow the VAPYR-900 to dry out and have it checked by qualified personnel before further use. Avoid any impact, dropping or extreme pressure to the housing. No user serviceable parts inside - do not open the case. Allow the VAPYR-900 to acclimatize to room temperature before operating.

Placement

The VAPYR-900 has a built-in fluid container and should be operated in an upright position. Ensure that the VAPYR-900 is positioned on a stable, non-slip surface.

Safety

- Check for correct mains voltage and condition of IEC lead before connecting to mains
- This unit must be earthed
- This unit uses a heating element – be aware that parts of the housing may be hot in use!

Cleaning

- Use a soft dry or slightly damp to clean the casing
- Do not use strong solvents for cleaning the housing
- Clean the haze mechanism periodically by operating with distilled water instead of haze
- It is also recommended to use fog machine cleaning fluid (160.670UK) periodically

Recommended fluid

For the VAPYR-900 haze machine, we strongly recommend the following fluid which has been specifically formulated to perform best with any heater-based haze machines.

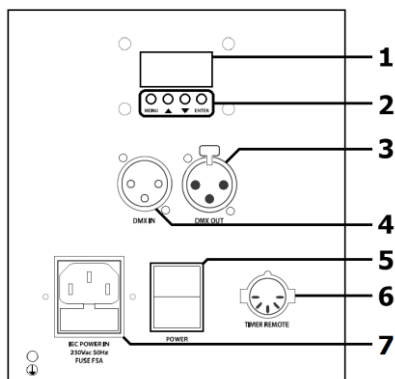
QTX ref code	Description	Size
160.591UK	High quality professional haze fluid	5 Litre
160.596UK	Eco haze fluid	5 Litre

Use power supply with Earth connection and adequate current capacity for the unit

Use the plug to connect to the main power supply as follows:

Wire colour	Connection	International symbol
Brown	Live	L
Blue	Neutral	N
Yellow / Green	Earth	

Rear panel



- 1 LED display
- 2 4 button control panel
- 3 DMX input (3-pin XLR)
- 4 DMX output (3-pin XLR)
- 5 Power on/off switch
- 6 Timer remote connection (5-pin DIN)
- 7 IEC mains inlet & fuse holder

Setting up

1. Unscrew the top cap of the fluid tank and remove to fill with haze fluid.
2. Replace the bottle and screw the cap securely, making sure that the pipe is fed down to the bottom of the bottle to ensure a consistent flow of fluid.
3. Connect the timer remote control via the 5-pin DIN socket on the rear panel.
4. If DMX is to be used for control, connect the DMX signal from the controller to the DMX IN XLR connector. Any further DMX controlled units may be connected via the DMX OUT XLR connector.
5. Connect the IEC mains plug and switch the power on.
6. Heat up time is just 30-40 seconds before the VAPYR-900 is ready to use.

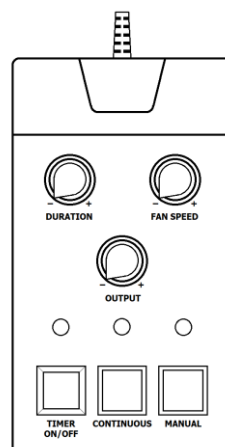
Operation

To operate the VAPYR-900 in standalone mode, set the fan speed and output using the 4-button control on the rear panel beneath the LED display as shown below. The DMX address setting is also set via the control panel.

Press MODE	Press ▲▼ and ENTER	Function
A---	A001 - A512	DMX start address 001 to 512
o---	o000 - o255	Haze output 0 – 100%
F---	F000 - F255	Fan speed slow to fast

Direct control is available using the wired timer remote control. Functions are as described below.

DURATION	Sets the length of time of haze output compared with the "off" interval
OUTPUT	Sets the volume of haze output
FAN SPEED	Sets the output fan speed (faster makes haze more dispersed)
TIMER ON/OFF	Activates the timer program (as set by DURATION and OUTPUT)
CONTINUOUS	Latching button for haze on or off
MANUAL	Non-latching button for haze on or off



DMX operation

If a DMX signal is connected, the unit will operate from DMX as follows.

Channel 1 (start address)	000-255	Haze output volume 0-100%
Channel 2 (start address + 1)	000-255	Fan speed slow to fast

Specifications

Power supply	220-240Vac, 50Hz (IEC)
Power consumption	900W
Fuse	F5AL
Fluid capacity	1.2 litres
Warm up time	30-40 seconds
Haze output (approx.)	5000 cu ft (142m ³) /min
Connections	DMX in and out (3-pin XLR), Remote (5-pin DIN), IEC
Controller	Onboard digital control panel, timer remote or DMX512
DMX channels	2
Dimensions	305 x 300 x 225mm
Weight	4.75kg

Troubleshooting

Warning: Hot components! ... Switch off and allow to cool before touching the unit.

No light on mains switch or remote	Check mains voltage is correct, and socket is switched on
	Check IEC lead is OK and connected properly
	Check mains fuse in IEC connector and fuse in plug top
	If fuse blowing repeatedly, refer to qualified service personnel
Green light is on but no haze output on manual or continuous mode	Check fluid level in tank
	If fluid is OK and pump working, the lines may be blocked
	Check that output is not set to zero on the control panel
	Check that output is not set to zero on the timer remote
	If blocked, clean with fog machine cleaner & distilled water
	Check that if DMX mode is selected, the DMX channel is correct
In DMX mode, check that haze output is not set to zero	



Disposal: The "Crossed Wheelie Bin" symbol on the product means that the product is classed as Electrical or Electronic equipment and should not be disposed with other household or commercial waste at the end of its useful life. The goods must be disposed of according to your local council guidelines

*Errors and omissions excepted.
Copyright© 2018. AVSL Group Ltd*

qtx		Effects Fluid Chart			
Bubble Fluid					
Stock Code	Volume	Description	Results		For use with
160.574UK	1 Litre	Bubble fluid	Light, long-lasting bubbles		160.462UK, 160.560UK, 160.562UK, 160.563UK
160.575UK	5 Litre				160.564UK
160.576UK	1 Litre	UV bubble fluid	Light bubbles which glow in UV light		
160.577UK	5 Litre				
Snow Fluid					
Stock Code	Volume	Description	Results		For use with
160.578UK	1 Litre	Snow fluid	High quality snow fluid. Lasts 30% longer than other standard fluids		160.565UK, 160.569UK
160.579UK	5 Litre				
Fog Fluid					
Stock Code	Volume	Description	Colour	Results	
160.643UK	1 Litre	Standard fog fluid	Yellow	Dispersion	Stability
160.582UK	5 Litre			Quick	Low
160.587UK	1 Litre	High grade fog fluid	Orange	Slow	Good
160.588UK	5 Litre				
160.644UK	1 Litre	High quality fog fluid	Pink	Slow	Good
160.583UK	5 Litre			Slow	Excellent
160.589UK	5 Litre	Premium fog fluid	Clear	Slow	Excellent
160.592UK	1 Litre	Low level fog fluid	Clear	Slow	Excellent
160.593UK	5 Litre			Slow	Extends life of your fog machine
160.670UK	20ml	Fog machine cleaner	Clear		
Haze					
Stock Code	Volume	Description	Colour	Results	
160.591UK	5 Litre	High quality haze fluid	Clear	Dispersion	Stability
160.591UK	5 Litre	Eco haze fluid		Slow	Good
				Medium	Good
Fog					
Stock Code	Volume	Description	Results		For use with
160.650UK	20ml	Coconut fog fragrance	Adds fragrance to fog or haze		20ml = 5 Litre fog or haze fluid
160.651UK	20ml	Mint fog fragrance			
160.652UK	20ml	Vanilla fog fragrance			
160.653UK	20ml	Tropical fog fragrance			
160.654UK	20ml	Strawberry fog fragrance			
160.655UK	20ml	Energy fog fragrance			