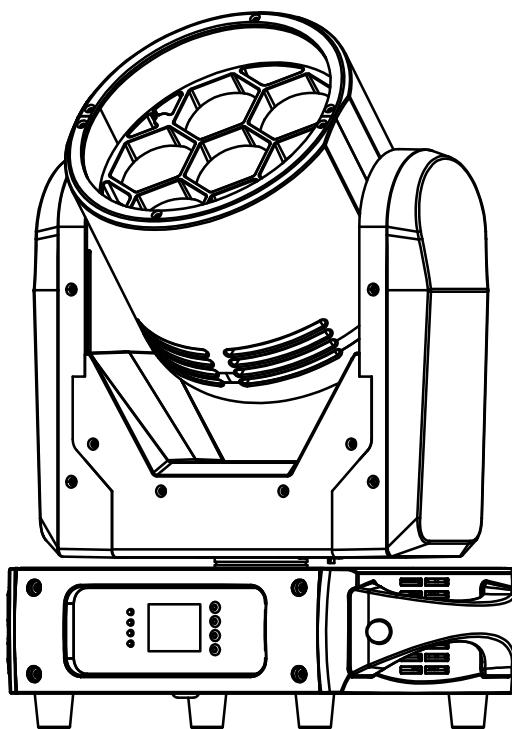


CHALLENGER WASH

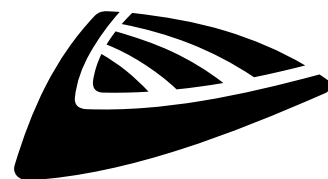


ENGLISH Operation Manual

Other languages can be downloaded from:
WWW.JB-SYSTEMS.EU



Version: 1.0



JB SYSTEMS



EN - DISPOSAL OF THE DEVICE

Dispose of the unit and used batteries in an environment friendly manner according to your country regulations.

FR - DÉCLASSER L'APPAREIL

Débarrassez-vous de l'appareil et des piles usagées de manière écologique Conformément aux dispositions légales de votre pays.

NL - VERWIJDEREN VAN HET APPARAAT

Verwijder het toestel en de gebruikte batterijen op een milieuvriendelijke manier conform de in uw land geldende voorschriften.

DU - ENTSORGUNG DES GERÄTS

Entsorgen Sie das Gerät und die Batterien auf umweltfreundliche Art und Weise gemäß den Vorschriften Ihres Landes.

ES - DESHACERSE DEL APARATO

Reciclar el aparato y pilas usadas de forma ecologica conforme a las disposiciones legales de su país.

PT - COMO DESFAZER-SE DA UNIDADE

Tente reciclar a unidade e as pilhas usadas respeitando o ambiente e em conformidade com as normas vigentes no seu país.

OPERATION MANUAL

Thank you for buying this JB Systems® product. To take full advantage of all possibilities and for your own safety, please read these operating instructions very carefully before you start using this unit.

FEATURES

- Powerful Moving Wash equipped with 7x40W RGBW LEDs
- Full pixel mapping !
- Zoom controlled by DMX
- 0-100% dimming and different strobe effects.
- Silent operation even at full output.
- Excellent built-in programs for wonderful, ever changing, light shows.
- Multiple working modes:
 - DMX-control: via 5, 15 or 43 channels
 - Standalone: sound activated with internal mic
 - Master/slave:
 - Wonderful synchronized shows in standalone mode
 - Innovative 5CH SMART-DMX
- Prepared for wireless DMX: just plug-in an optional WTR-DMX DONGLE ! (Briteq® order code: B04645)
- Color LCD-display for easy menu navigation
- 3p and 5p XLR connectors for DMX in- and output.

BEFORE USE

- Before you start using this unit, please check if there's no transportation damage. Should there be any, do not use the device and consult your dealer first.
- **Important:** This device left our factory in perfect condition and well packaged. It is absolutely necessary for the user to strictly follow the safety instructions and warnings in this user manual. Any damage caused by mishandling is not subject to warranty. The dealer will not accept responsibility for any resulting defects or problems caused by disregarding this user manual.
- Keep this booklet in a safe place for future consultation. If you sell the fixture, be sure to add this user manual.

Check the contents:

Check that the carton contains the following items:

- [CHALLENGER WASH] unit
- 2 Omega-brackets
- Power cable with Lockable Power Connector
- Operating instructions

SAFETY INSTRUCTIONS:



CAUTION
RISK OF ELECTRIC SHOCK
DO NOT OPEN



CAUTION: To reduce the risk of electric shock, do not remove the top cover. No user-serviceable parts inside. Refer servicing to qualified service personnel only.



The lightning flash with arrowhead symbol within the equilateral triangle is intended to alert the user to the presence of un-insulated "dangerous voltage" within the product's enclosure that may be of sufficient magnitude to constitute a risk of electric shock.



The exclamation point within the equilateral triangle is intended to alert the user to the presence of important operation and maintenance (servicing) instructions in the literature accompanying this appliance.



This symbol means: indoor use only



This symbol means: Read instructions

RISK GROUP 2
CAUTION:
Do not stare at operating lamp

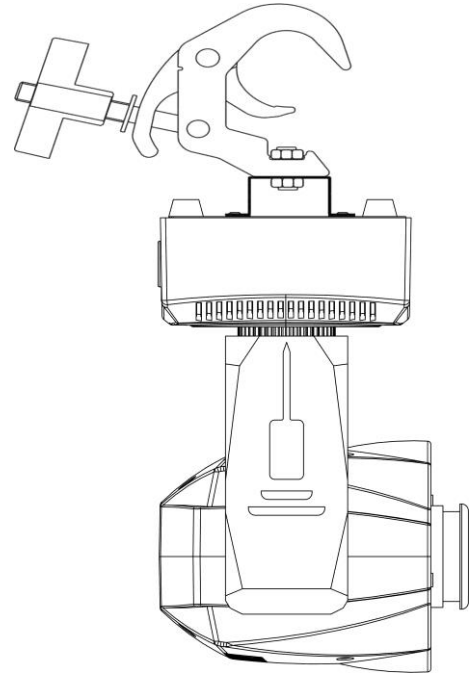
CAUTION: Do not stare at operating lamp.
May be harmful to the eyes.

- To protect the environment, please try to recycle the packing material as much as possible.
- To prevent fire or shock hazard, do not expose this appliance to rain or moisture.
- To avoid condensation to be formed inside, allow the unit to adapt to the surrounding temperatures when bringing it into a warm room after transport. Condense sometimes prevents the unit from working at full performance or may even cause damages.
- This unit is for indoor use only.
- Don't place metal objects or spill liquid inside the unit. Electric shock or malfunction may result. If a foreign object enters the unit, immediately disconnect the mains power.
- Locate the fixture in a well ventilated spot, away from any flammable materials and/or liquids. The fixture must be fixed at least 50cm from surrounding walls.
- Don't cover any ventilation openings as this may result in overheating.
- Prevent use in dusty environments and clean the unit regularly.
- Keep the unit away from children.
- Inexperienced persons should not operate this device.
- Maximum safe ambient temperature is 40°C. Don't use this unit at higher ambient temperatures.
- Make sure the area below the installation place is free from unwanted persons during rigging, de-rigging and servicing.
- Allow the device about 10 minutes to cool down before to start servicing.
- Always unplug the unit when it is not used for a longer time or before to start servicing.
- The electrical installation should be carried out by qualified personal only, according to the regulations for electrical and mechanical safety in your country.
- Check that the available voltage is not higher than the one stated on the unit.
- The power cord should always be in perfect condition. Switch the unit immediately off when the power cord is squashed or damaged. It must be replaced by the manufacturer, its service agent or similarly qualified persons in order to avoid a hazard.
- Never let the power-cord come into contact with other cables!
- This fixture must be earthed in order to comply with safety regulations.
- Don't connect the unit to any dimmer pack.
- Always use an appropriate and certified safety cable when installing the unit.
- In order to prevent electric shock, do not open the cover. There are no user serviceable parts inside.
- **Never** repair a fuse or bypass the fuse holder. **Always** replace a damaged fuse with a fuse of the same type and electrical specifications!
- In the event of serious operating problems, stop using the fixture and contact your dealer immediately.
- The housing and the lenses must be replaced if they are visibly damaged.
- Please use the original packing when the device is to be transported.
- Due to safety reasons it is prohibited to make unauthorized modifications to the unit.

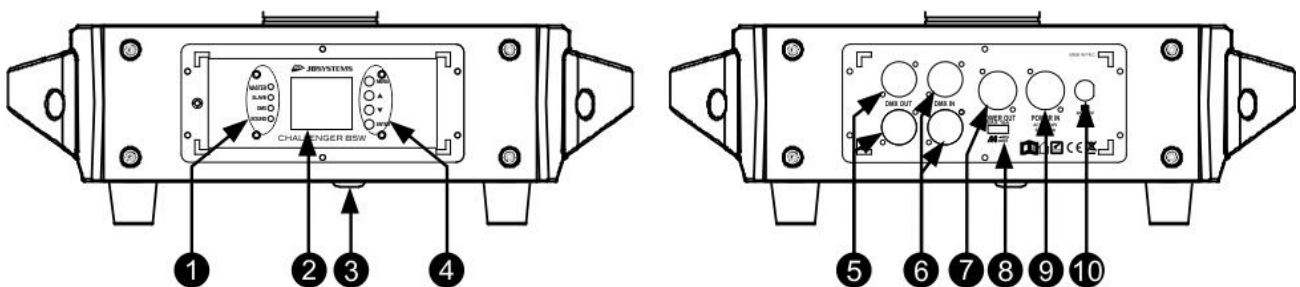
Important: Never look directly into the light source! Don't use the effect in the presence of persons suffering from epilepsy.

OVERHEAD RIGGING

- **Important:** The installation must be carried out by qualified service personal only. Improper installation can result in serious injuries and/or damage to property. Overhead rigging requires extensive experience! Working load limits should be respected, certified installation materials should be used, the installed device should be inspected regularly for safety.
- Make sure the area below the installation place is free from unwanted persons during rigging, de-rigging and servicing.
- Locate the fixture in a well ventilated spot, far away from any flammable materials and/or liquids. The fixture must be fixed at **least 50cm** from surrounding walls.
- The device should be installed out of reach of people and outside areas where persons may walk by or be seated.
- Before rigging make sure that the installation area can hold a minimum point load of 10times the device's weight.
- Always use a certified safety cable that can hold 12 times the weight of the device when installing the unit. This secondary safety attachment should be installed in a way that no part of the installation can drop more than 20cm if the main attachment fails.
- The device should be well fixed; a free-swinging mounting is dangerous and may not be considered!
- Don't cover any ventilation openings as this may result in overheating.
- The operator has to make sure that the safety-relating and machine-technical installations are approved by an expert before using them for the first time. The installations should be inspected every year by a skilled person to be sure that safety is still optimal.



HOW TO SET UP THE UNIT FRONT + BACK PANEL:



1. Indicator LEDs [MASTER-SLAVE-DMX-SOUND]
2. **[DISPLAY]:** shows the information on the different modes and functions.
3. Microphone for sound mode.
4. **DISPLAY MODE BUTTONS:**
 - **[▼]** button : press this button to go down in the menu
 - **[▲]** button : press this button to go up in the menu
 - **[ENTER]:** press this button to confirm the selected function in the menu
 - **[MENU]:** press this button to go back to the main menu or to leave submenus.
5. **[DMX OUT]:** 3p and 5p XLR Female connector to connect other projectors or use in Master/slave mode.
6. **[DMX IN]:** 3p and 5p XLR Male connector receive DMX data from a console or use in Master/slave mode.
7. **[POWER OUT]:** used to daisy chain the power to several other fixtures. Always pay attention to the maximum load while adding fixtures! Special combi cables (power + DMX XLR-cables) are available: see our website!

- 8. **M-DMX INPUT:** Please note that this USB-connector is NOT used for updates or to connect the unit to a PC! Instead this USB-connector makes it very easy to add wireless DMX to the unit! Just add the (optional) WTR-DMX DONGLE from BRITEQ® and you will get wireless DMX! Moreover you will be able to connect other DMX-controlled equipment to the DMX-output so you can share the wireless DMX function with all connected units! No extra settings to be made in the setup menu, just follow the procedure in the user manual supplied with the WTR-DMX DONGLE from BRITEQ®. *The separate WTR-DMX DONGLE is available from WWW.BRITEQ-LIGHTING.COM (order code: B04645)*
- 9. **[POWER IN]:** Connect the mains input cable here.
- 10. **FUSE HOLDER**

SETUP MENU:

- This is the list of all the functions in the machine.
- To select any of these functions, press the [MENU] button and use the [▲/▼] buttons to browse the menu.
- Select the desired function with the [ENTER] button.
- Use [▲/▼] buttons to change the mode or value.
- Once the required mode or value is selected, press the [ENTER] button to select.

Level 1	Level 2	Level 3
DMX Functions	DMX Address	001 - xxx
	DMX Channel	5MSL
		17CH
		43CH
	No DMX	Sound
		Freeze
		Blackout
	View DMX Value	1. Pan
		2. Pan Fine
		3. Tilt
		4. Tilt Fine
		5. P/T Speed
		6. Zoom
		7. Zoom fine
		8. Shutter
		9. Dimmer
		10. Dimmer fine
		11. Red1
		12. Green1
		13. Blue1
		14. White1
		15. Red2
		16. Green2
	17. Blue2	
	18. White2	
	19. Red3	
	20. Green3	
	21. Blue3	
	22. White3	
	23. Red4	

		24. Green4
		25. Blue4
		26. White4
		27. Red5
		28. Green5
		29. Blue5
		30. White5
		31. Red6
		32. Green6
		33. Blue6
		34. White6
		35. Red7
		36. Green7
		37. Blue7
		38. White7
		39. Color Macro
		40. Color Macro Run
		41. Run BG. Mac. Col
		42. Color Macro Run Speed
		43. Special function
Show Settings	Show Chase	show 1
		show 2
		show 3
		show 4
	Slave Mode	Slave1
		Slave2
	Sound Trigger	on
		off
	Sound Sense	000-100
Fixture Settings	Pan Inverse	No
		Yes
	Tilt Inverse	No
		Yes
	P/T Feedback	No
		Yes
	White Balance	Red
		Green
		Blue
	Dimmer Curve	Linear
		Square
		Inv SQ
		S Curve
Dimmer Speed	Fast	
	Smooth	
Show Focus	5m	

		10m
		25m
Display Settings	Display Inverse	No
		Yes
	Backlight Switch	Off
		On
	Backlight Intensity	001-010
	Temperature Unit	°C
		°F
Fixture Test	Auto Test	
	Manual Test	1. Pan
		2. Pan Fine
		3. Tilt
		4. Tilt Fine
		5. P/T Speed
		6. Zoom
		7. Zoom fine
		8. Shutter
		9. Dimmer
		10. Dimmer fine
		11. Red1
		12. Green1
		13. Blue1
		14. White1
		15. Red2
		16. Green2
		17. Blue2
		18. White2
		19. Red3
		20. Green3
		21. Blue3
		22. White3
		23. Red4
		24. Green4
		25. Blue4
		26. White4
		27. Red5
		28. Green5
		29. Blue5
		30. White5
		31. Red6
		32. Green6
		33. Blue6
		34. White6
35. Red7		

		36. Green7
		37. Blue7
		38. White7
		39. Color Macro
		40. Color Macro Run
		41. Run BG. Mac. Col
		42. Color Macro Run Speed
		43. Special function
Fixture Information	Fixture use time	
	Firmware Version	A.V10 B.V10 C.V10
Reset	Pan/Tilt	No
		Yes
	Zoom	No
		Yes
	All	No
		Yes
Special Function	Factory Setting	No
		Yes
	Password	000-999

[DMX Functions > DMX Address]

Used to set the desired DMX-address.

- Press the [MENU] button to access the different functions in the menu.
- Press the ▲/▼ buttons until the desired function is showing on the display.
- Press the [ENTER] button: the values can be changed
- Use ▲/▼ buttons to select the desired DMX512 address.
- Once the correct address shows on the display, press the [ENTER] button to confirm.

[DMX Functions > DMX Channel]

Used to set the desired channel mode.

- Press the [MENU] button to access the different functions in the menu.
- Press the ▲/▼ buttons until the desired function is showing on the display.
- Press the [ENTER] button: the values can be changed
- Use ▲/▼ buttons to select the desired mode:
 - **5MSL mode:** [PAN/TILT] are music controlled while the dimmer, strobe speed, colors & special functions like zoom can be set using only 5 DMX channels.
 - **15 CH mode:** reduced DMX control (same as 43CH mode but without Pan/Tilt fine nor pixel control)
 - **43 CH mode:** Full DMX-control on all functions.
- Once the correct option shows on the display, press the [ENTER] button to confirm.

[DMX Functions > No DMX]

Used to set how the projector reacts when the DMX-signal disappears.

- Press the [MENU] button to access the different functions in the menu.
- Press the ▲/▼ buttons until the desired function is showing on the display.
- Press the [ENTER] button: the values can be changed
- Use ▲/▼ buttons to select the desired mode:
 - **Sound:** the projector starts working in audio mode.
 - **Freeze:** output based on the last valid DMX-signal is kept on the projector.
 - **Blackout:** output turns black while no DMX is detected.
- Once the correct option shows on the display, press the [ENTER] button to confirm.

Note: as soon as the input detects a DMX-signal, blackout, freeze or audio mode will be cancelled.

[DMX Functions > View DMX Value]

Shows the value of each function of the fixture on every moment. Used for problem solving.

- Press the [MENU] button to access the different functions in the menu.
- Press the ▲/▼ buttons until the desired function is showing on the display.

[Show Settings > Show Chase]

Used to select the installation position of the projector while used in standalone mode.

- Press the [MENU] button to access the different functions in the menu.
- Press the ▲/▼ buttons until the desired function is showing on the display.
- Press the [ENTER] button to select the desired show mode.
 - [show 1]
 - [show 2]
 - [show 3]
 - [show 4]
- Once the right mode is shown on the display, press the [ENTER] button to confirm.

[Show Settings > Slave Mode]

Used to make the slave unit work in opposite to the master or to work in complete sync.

- Press the [MENU] button to access the different functions in the menu.
- Press the ▲/▼ buttons until the desired function is showing on the display.
- Press the [ENTER] button: the values can be changed
- Use ▲/▼ buttons to select the desired mode:
 - **Slave 1:** the slave operates in complete sync with the master.
 - **Slave 2:** the slave operates in the opposite mode as compared with the master.
- Once the correct option shows on the display, press the [ENTER] button to confirm.

[Show Settings > Sound Trigger]

Used to make the unit work in audio mode .

- Press the [MENU] button to access the different functions in the menu.
- Press the ▲/▼ buttons until the desired function is showing on the display.
- Press the [ENTER] button: the values can be changed
- Use ▲/▼ buttons to select the desired mode:

[Show Settings > Sound Sense]

Used to adjust the sensitivity of the build in microphone .

- Press the [MENU] button to access the different functions in the menu.
- Press the ▲/▼ buttons until the desired function is showing on the display.
- Press the [ENTER] button: the values can be changed
- Use the ▼/▲ buttons to choose a value between “000” (very low sensitivity) and “100” (high sensitivity).
- Press the [ENTER] button to confirm the desired sensitivity.

[Fixture Settings > Pan Inverse]

Used to select if the PAN movements are inverted or not.

- Press the [MENU] button to access the different functions in the menu.
- Press the ▲/▼ buttons until the desired function is showing on the display.
- Press the [ENTER] button: the values can be changed
- Use ▲/▼ buttons to toggle between [No] and [Yes].
- Press the [ENTER] button to confirm.

[Fixture Settings > Tilt Inverse]

Used to select if the TILT movements are inverted or not.

- Press the [MENU] button to access the different functions in the menu.
- Press the ▲/▼ buttons until the desired function is showing on the display.
- Press the [ENTER] button: the values can be changed
- Use ▲/▼ buttons to toggle between [No] and [Yes].
- Press the [ENTER] button to confirm.

[Fixture Settings > P/T Feedback]

- This function corrects the PAN/TILT positions automatically if someone bumps onto the machine.
- Press the [MENU] button to access the different functions in the menu.
- Press the ▲/▼ buttons until the desired function is showing on the display.
- Press the [ENTER] button: the values can be changed
- Use ▲/▼ buttons to toggle between [No] and [Yes].
- Press the [ENTER] button to confirm.

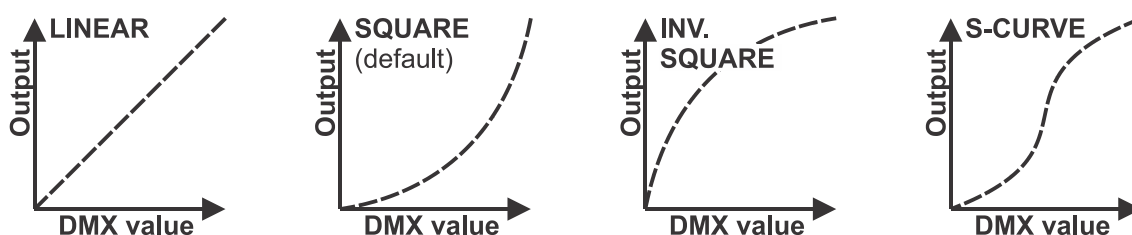
[Fixture Settings > White Balance]

- This function allows the user to fine tune the colors to achieve the perfect white.
- Press the [MENU] button to access the different functions in the menu.
- Press the ▲/▼ buttons until the desired function is showing on the display.
- Press the [ENTER] button: the values of Red-Green-Blue can be changed from 125 to 255.
- Use ▲/▼ buttons to select the color to be changed.
- Press the [ENTER] button to confirm.
- Use ▲/▼ buttons to change the value.
- Press the [ENTER] button to confirm.

[Fixture Settings > Dimmer Curve]

Used to set the dimmer curve of the master dimmer.

- Press the [MENU] button to access the different functions in the menu.
- Press the ▲/▼ buttons until the desired function is showing on the display.
- Press the [ENTER] button: the values can be changed
- Use ▲/▼ buttons to selected the desired curve:



- Once you have the desired curve, press the [ENTER] button to save it.

[Display Settings > Display Inverse]

Used to turn the display over 180°. [Yes] = display is upsidedown.

- Press the [MENU] button to access the different functions in the menu.
- Press the ▲/▼ buttons until the desired function is showing on the display.
- Press the [ENTER] button: the display can be turned by selecting [Yes] or [No].
- Use ▲/▼ buttons to select the desired display position.
- Press the [ENTER] button to confirm.

[Display Settings > Backlight Switch]

Used to adjust whether the display stays lit or not after the last time it was used.

- Press the [MENU] button to access the different functions in the menu.
- Press the ▲/▼ buttons until the desired function is showing on the display.
- Press the [ENTER] button: the Backlight Switch can be turned [On] or [Off].
- Use ▲/▼ buttons to select [On] (display backlight will turn off after 30s) or [Off] (display stays lit).
- Press the [ENTER] button to confirm.

[Display Settings > Backlight Intensity]

Used to set the brightness of the backlight.

- Press the [MENU] button to access the different functions in the menu.
- Press the ▲/▼ buttons until the desired function is showing on the display.
- Press the [ENTER] button: the brightness of the backlight can be set from 000 to 010.
- Use ▲/▼ buttons to select the desired value.
- Press the [ENTER] button to confirm.

[Display Settings > Temperature Unit]

Used to set the temperature measurement in °C or °F.

- Press the [MENU] button to access the different functions in the menu.
- Press the ▲/▼ buttons until the desired function is showing on the display.
- Press the [ENTER] button: the temperature can be set in °C or °F.
- Use ▲/▼ buttons to select the desired temperature measurement.
- Press the [ENTER] button to confirm.

[Fixture Test > Auto Test]

Used to start the automatic test function: all functions will be tested.

- Press the [MENU] button to access the different functions in the menu.
- Press the ▲/▼ buttons until the desired function is showing on the display.
- Press the [ENTER] button: the projector starts an automatic AUTOTEST program until you stop it.
- Press the [MENU] button to stop the program.

[Fixture Test > Manual Test]

Used to test all functions one by one manually.

- Press the [MENU] button to access the different functions in the menu.
- Press the ▲/▼ buttons until the desired function is showing on the display.
- Press the [ENTER] button. A list with all the functions will appear.
- Press the ▲/▼ buttons to select the function you want to test.
- Press the [ENTER] button to confirm.
- Press the ▲/▼ buttons to change the value for testing.
- Press the [MENU] button to stop the program.

[Fixture Information > Fixture use time]

Used to show the number of hours the fixture has been used.

- Press the [MENU] button to access the different functions in the menu.
- Press the ▲/▼ buttons until the desired function is showing on the display.
- Press the [ENTER] button: the display will show the used time.
- Press the [MENU] button to stop the program.

[Fixture Information > Firmware Version]

Shows the current firmware version in the projector.

- Press the [MENU] button to access the different functions in the menu.
- Press the ▲/▼ buttons until the desired function is showing on the display.
- Press the [ENTER] button: the display shows the firmware versions of the different processors in the projector: A-Vxx, B-Vxx, C-3xx

Note: The firmware of this unit can be upgraded using the [Firmware Updater] (order code : B04319) from Briteq with Windows® software.

[Reset > Pan/Tilt]

Used to reset the Pan and Tilt functions of the projector.

- Press the [MENU] button to access the different functions in the menu.
- Press the ▲/▼ buttons until the desired function is showing on the display.
- Press the [ENTER] button: the display shows [Pan/Tilt]
- Press the [ENTER] button again to start resetting [Pan/Tilt] functions.

[Reset > Zoom]

Used to reset the zoom function of the projector.

- Press the [MENU] button to access the different functions in the menu.
- Press the ▲/▼ buttons until the desired function is showing on the display.
- Press the [ENTER] button: the display shows [Zoom]
- Press the [ENTER] button again to start resetting the zoom function.

[Reset > All]

Used to reset all the functions of the projector.

- Press the [MENU] button to access the different functions in the menu.
- Press the ▲/▼ buttons until the desired function is showing on the display.
- Press the [ENTER] button: the display shows [ALL]
- Press the [ENTER] button again to start resetting ALL functions.

[Special Function > Factory Setting]

Used to reset the functions of the projector to the factory settings.

- Press the [MENU] button to access the different functions in the menu.
- Press the ▲/▼ buttons until the desired function is showing on the display.
- Press the [ENTER] button: the display shows [Special Function>Factory Setting].
- Press the [ENTER] button again to select [No] or [Yes].

[Special Function > Password]

Used to put a password in the projector.

- Press the [MENU] button to access the different functions in the menu.
- Press the ▲/▼ buttons until the desired function is showing on the display.
- Press the [ENTER] button: the display shows [Special Function>Password]
- Press the [ENTER] button to set a password (from 000 to 999).

MOTOR OFFSET MENU

This is a hidden menu where you can fine-tune the offset of 3 main functions. To access this menu do as follows: press the [ENTER] button for about 2 seconds while you are in the [MAIN Menu] (any option, not important). Now the [Motor Offset] menu shows up:

The home position from the following functions can be adjusted:

- [Pan] (between -128 and 127)
- [Tilt] (between -128 and 127)
- [Zoom] (between 0 and 255)

- Press the ▲/▼ buttons until the desired function is showing on the display.
- Press the [ENTER] button to select the desired function to adjust.
- Press the ▲/▼ buttons until the desired value is showing on the display.
- Press the [ENTER] button to confirm the value.

ELECTRICAL INSTALLATION + ADDRESSING



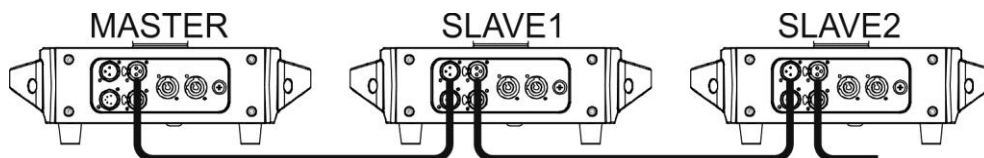
Important: The electrical installation should be carried out by qualified personal only, according to the regulations for electrical and mechanical safety in your country.

Electrical installation for 1 standalone unit:

- Just insert the mains cable. The unit starts working immediately in stand-alone mode.

Electrical installation for two or more units in master/slave:

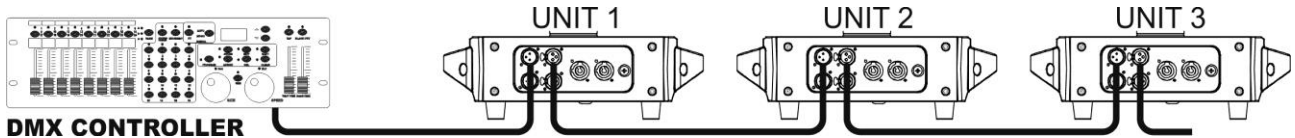
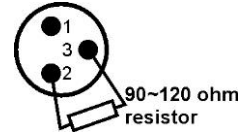
In this mode the units will show a synchronized show, working to the rhythm of the beat.



- Connect 2 to maximum 16 units together using good quality balanced microphone cables. Put the first unit in the chain in master mode (see Setup menu) and the other units as slaves (see Setup menu).
- Make sure that all units are connected to the mains.
- Done!

Electrical installation in DMX-mode:

- The DMX-protocol is a widely used high speed signal to control intelligent light equipment. You need to “daisy chain” your DMX controller and all the connected units with a good quality balanced cable.
- Both XLR-3pin and XLR-5pin connectors are used, however XLR-3pin is more popular because these cables are compatible with balanced audio cables.
Pin layout XLR-3pin: Pin1 = GND ~ Pin2 = Negative signal (-) ~ Pin3 = Positive signal (+)
- To prevent strange behavior of the light effects, due to interferences, you must use a 90Ω to 120Ω terminator at the end of the chain. Never use Y-splitter cables, this simply won't work!
- Make sure that all units are connected to the mains.
- Each light effect in the chain needs to have its proper starting address so it knows which commands from the controller it has to decode. In the next section you will learn how to set the DMX addresses.



HOW TO SET THE RIGHT STARTING ADDRESS:

Refer to the setup menu to learn how to set the starting address on this unit. The starting address of each unit is very important. Unfortunately it is impossible to tell you in this user manual which starting addresses you have to set because this completely depends on the controller you will use, the number of fixtures and their number of DMX channel they use.

DMX-CONFIGURATION OF THE [CHALLENGER WASH] IN 5, 15 AND 43CH MODE:

5CH Mode :

DMX Channel	DMX-value	function	remarks
1	000-255	Dimmer (0 - 100%)	
2	000-007	Open	
	008-037	Random strobe	
	038-067	Sound strobe	
	068-255	Strobe	Strobe (slow -> fast)
3	000-007	White	
	008-037	Red	
	038-067	Green	
	068-097	Blue (dark)	
	098-127	Yellow	
	128-157	Blue (light)	
	158-187	Purple	
	188-247	Color fade	Slow -> fast
248-255	Color changing		
4	000-008	No function	
	009-099	Zoom	Out -> in
	100-109	LED 1	
	110-119	LED 2	
	120-129	LED 3	
	130-139	LED 4	
	140-149	LED 5	
	150-159	LED 6	

	160-169	LED 7	
	170-255	Pixel programs	
5	000-007	HOLD (Freeze)	
	008-247	Pan/Tilt movements	Slow -> fast
	248-255	Pan/Tilt sound control	

15CH Mode :

DMX Channel	DMX-value	function	remarks
1	000-255	Pan	
2	000-255	Tilt	
3	000-255	Pan/Tilt Speed	Fast -> slow
4	000-200	No function	
	201-210	RESET all functions	
	211-220	Reset Zoom	
	221-230	Reset Pan/Tilt	
	231-255	No function	
5	000-255	Zoom (0-100%)	PAN/TILT Macro's
6	000-019	Shutter/strobe off	
	020-024	Open	
	025-064	Strobe	Fast -> slow
	065-069	Open	
	070-084	Close/open	Fast -> slow
	085-089	Open	
	090-104	Open/close	Fast -> slow
	105-109	Open	
	110-124	Strobe	Fast -> slow
	125-129	Open	
	130-144	Close/open	Fast -> slow
	145-149	Open	
	150-164	Open/close	Fast -> slow
	165-169	Open	
	170-184	Random strobe	
	185-189	Open	
	190-204	Random strobe	Pulsing
	205-209	Open	
	210-224	Close/open	Smooth fade
	225-229	Open	
230-244	Random strobe	Pulsing	
245-255	Open		
7	000-255	Dimmer (0-100%)	
8	000-255	Red (0-100%)	
9	000-255	Green (0-100%)	
10	000-255	Blue (0-100%)	
11	000-255	White (0-100%)	

12	000-007	No function	
	008-174	Colors	32 pre-defined colors
	175-179	No function	
	180-201	Color fade	Fast -> slow
	202-207	Fixed color	Last faded color stays lit
	208-229	Color fade	Slow -> fast
	230-234	No function	
	235-249	Color changing	Fast -> slow
	250-255	No function	
13	000-255	Pixel programs	
14	000-255	Colors for Pixel programs	Pre-defined colors for pixel programs
15	000-007	Speed pixel programs	Slow->fast

43CH Mode :

DMX Channel	DMX-value	function	remarks
1	000-255	Pan	
2	000-255	Pan fine	
3	000-255	Tilt	
4	000-255	Tilt fine	
5	000-255	Pan/Tilt Speed	Fast -> slow
6	000-255	Zoom (0-100%)	
7	000-255	No function	
8	000-019	Shutter/strobe off	
	020-024	Open	
	025-064	Strobe	Fast -> slow
	065-069	Open	
	070-084	Close/open	Fast -> slow
	085-089	Open	
	090-104	Open/close	Fast -> slow
	105-109	Open	
	110-124	Strobe	Fast -> slow
	125-129	Open	
	130-144	Close/open	Fast -> slow
	145-149	Open	
	150-164	Open/close	Fast -> slow
	165-169	Open	
	170-184	Random strobe	
	185-189	Open	
	190-204	Random strobe	Pulsing
	205-209	Open	
	210-224	Close/open	Smooth fade
225-229	Open		
230-244	Random strobe	Pulsing	
245-255	Open		

9	000-255	Dimmer (0-100%)	
10	000-255	No function	
11	000-255	LED 1	Red (0-100%)
12	000-255	LED 1	Green (0-100%)
13	000-255	LED 1	Blue (0-100%)
14	000-255	LED 1	White (0-100%)
15	000-255	LED 2	Red (0-100%)
16	000-255	LED 2	Green (0-100%)
17	000-255	LED 2	Blue (0-100%)
18	000-255	LED 2	White (0-100%)
19	000-255	LED 3	Red (0-100%)
20	000-255	LED 3	Green (0-100%)
21	000-255	LED 3	Blue (0-100%)
22	000-255	LED 3	White (0-100%)
23	000-255	LED 4	Red (0-100%)
24	000-255	LED 4	Green (0-100%)
25	000-255	LED 4	Blue (0-100%)
26	000-255	LED 4	White (0-100%)
27	000-255	LED 5	Red (0-100%)
28	000-255	LED 5	Green (0-100%)
29	000-255	LED 5	Blue (0-100%)
30	000-255	LED 5	White (0-100%)
31	000-255	LED 6	Red (0-100%)
32	000-255	LED 6	Green (0-100%)
33	000-255	LED 6	Blue (0-100%)
34	000-255	LED 6	White (0-100%)
35	000-255	LED 7	Red (0-100%)
36	000-255	LED 7	Green (0-100%)
37	000-255	LED 7	Blue (0-100%)
38	000-255	LED 7	White (0-100%)
39	000-007	No function	
	008-174	Colors	32 pre-defined colors
	175-179	No function	
	180-201	Color fade	Fast -> slow
	202-207	Fixed color	Last faded color stays lit
	208-229	Color fade	Slow -> fast
	230-234	No function	
	235-249	Color changing	Fast -> slow
	250-255	No function	
40	000-255	Pixel programs	
41	000-255	Color programs	
42	000-255	Speed pixel programs	Fast -> slow
43	000-255	Special function	

MAINTENANCE

- Make sure the area below the installation place is free from unwanted persons during servicing.
- Switch off the unit, unplug the mains cable and wait until the unit is cooled down.

During inspection the following points should be checked:

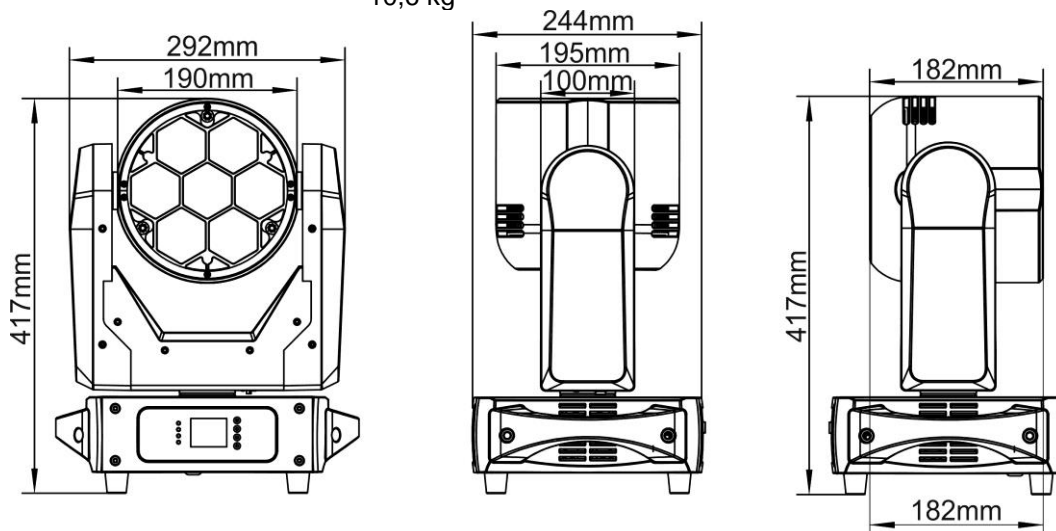
- All screws used for installing the device and any of its parts should be tightly fastened and may not be corroded.
- Housings, fixations and installations spots (ceiling, truss, suspensions) should be totally free from any deformation.
- When an optical lens is visibly damaged due to cracks or deep scratches, it must be replaced.
- The mains cables must be in impeccable condition and should be replaced immediately when even a small problem is detected.
- In order to protect the device from overheat the cooling fans (if any) and ventilation openings should be cleaned monthly.
- The interior of the device should be cleaned annually using a vacuum cleaner or air-jet.
- The cleaning of internal and external optical lenses and/or mirrors must be carried out periodically to optimize light output. Cleaning frequency depends on the environment in which the fixture operates: damp, smoky or particularly dirty surroundings can cause greater accumulation of dirt on the unit's optics.
 - Clean with a soft cloth using normal glass cleaning products.
 - Always dry the parts carefully.
 - Clean the external optics at least once every 30 days.
 - Clean the internal optics at least every 90 days.

Attention: We strongly recommend internal cleaning to be carried out by qualified personnel!

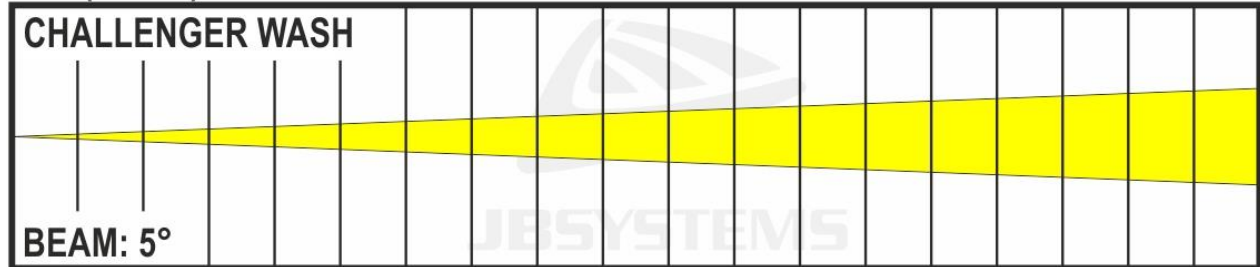
SPECIFICATIONS

This unit is radio-interference suppressed. This product meets the requirements of the current European and national guidelines. Conformity has been established and the relevant statements and documents have been deposited by the manufacturer.

Mains Input:	AC 100 - 240V, 50/60Hz
Power consumption:	320 Watt (max)
Fuse:	250V 5A Slow blow (20mm glass)
Power connections:	Lockable Power Connector - 10A (Neutrik PowerCon® compatible)
DMX connections:	Neutrik 3pin-XLR and 5pin-XLR male / female
DMX channels used:	5ch, 15ch, 43ch
Lamp:	7 x 40W RGBW 4in1 LED
IP-Rating:	IP20
Pan movement:	540°
Tilt movement:	270°
Beam Angle:	5° to 60°
Operating temperature (T_a):	0°C to 40°C
Size:	29,2x24,4x41,7cm (LxBxH)
Weight:	10,6 kg

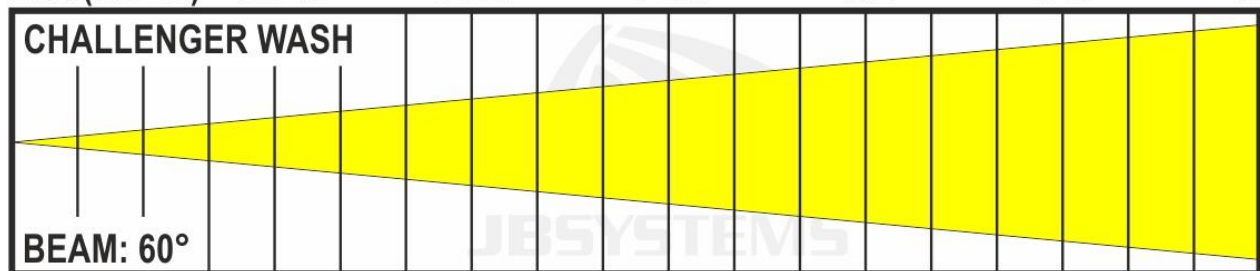


LUX (red 640nm)	52507	13127	5834	3282	2097	1459
LUX (green 520nm)	124411	31103	13823	7776	4977	3456
LUX (blue 445nm)	29598	7399	3289	1850	1184	822
LUX (white 6400K)	195813	48953	21757	12238	7830	5439
LUX (full on)	358349	89587	39817	22397	14335	9954



DISTANCE (m)	1	2	3	4	5	6
BEAM Ø (cm)	9	17	26	35	44	52

LUX (red 640nm)	2700	675	300	169	108	75
LUX (green 520nm)	5075	1269	564	317	203	141
LUX (blue 445nm)	1850	462	206	116	74	51
LUX (white 6400K)	7325	1831	814	458	293	203
LUX (full on)	13625	3406	1514	852	545	378



DISTANCE (m)	1	2	3	4	5	6
BEAM Ø (cm)	115	231	176	462	577	693

Every information is subject to change without prior notice
 You can download the latest version of this user manual on our website: www.jb-systems.eu



JB SYSTEMS

MAILING LIST

EN: Subscribe today to our mailing list for the latest product news!

FR: Inscrivez-vous à notre liste de distribution si vous souhaitez suivre l'actualité de nos produits!

NL: Abonneer je vandaag nog op onze mailinglijst en ontvang ons laatste product nieuws!

DE: Abonnieren Sie unseren Newsletter und erhalten Sie aktuelle Produktinformationen!

ES: Suscríbete hoy a nuestra lista de correo para recibir las últimas noticias!

PT: Inscreva-se hoje na nossa mailing list para estar a par das últimas notícias!

WWW.JB-SYSTEMS.EU

Copyright © 2020 by BEGLEC NV

t Hofveld 2C ~ B1702 Groot-Bijgaarden ~ Belgium

Reproduction or publication of the content in any manner, without express permission of the publisher, is prohibited.