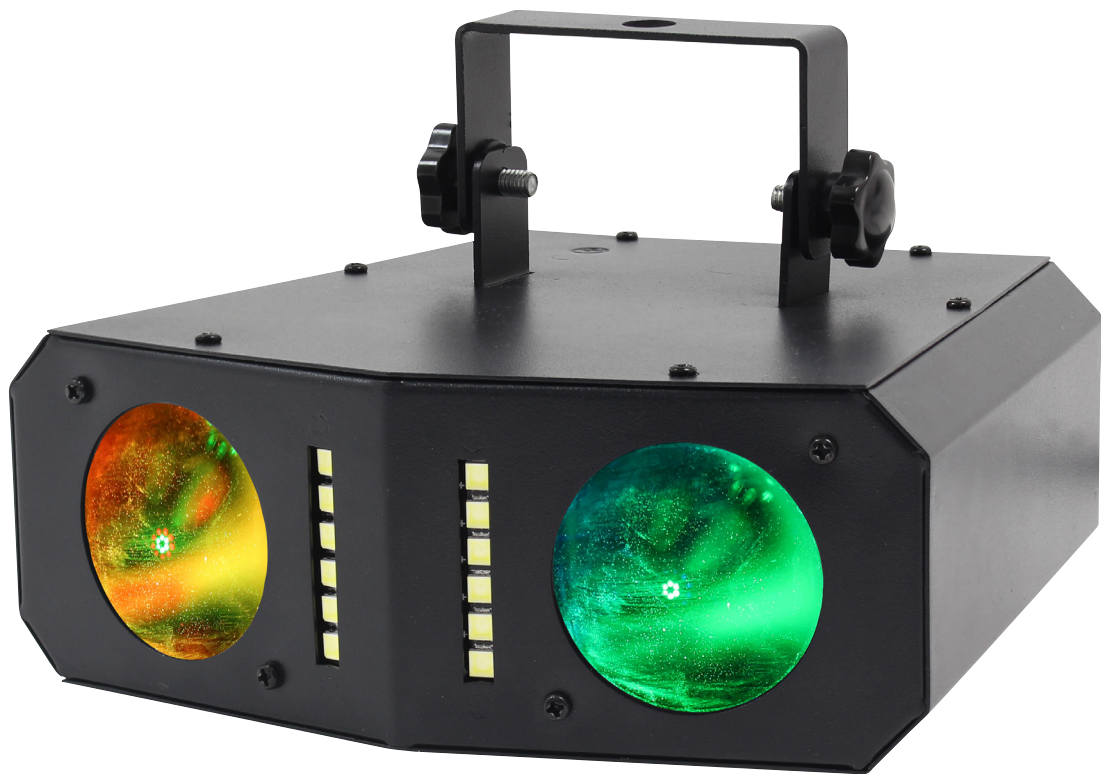


EQUINOX

Boogie

User Manual



Order code: EQLED376

WARNING

FOR YOUR OWN SAFETY, PLEASE READ THIS USER MANUAL CAREFULLY BEFORE YOUR INITIAL START-UP!

- Before your initial start-up, please make sure that there is no damage caused during transportation.
- Should there be any damage, consult your dealer and do not use the equipment.
- To maintain the equipment in good working condition and to ensure safe operation, it is necessary for the user to follow the safety instructions and warning notes written in this manual.
- Please note that damages caused by user modifications to this equipment are not subject to warranty.



IMPORTANT:

The manufacturer will not accept liability for any resulting damages caused by the non-observance of this manual or any unauthorised modification to the equipment.

- Never let the power cable come into contact with other cables. Handle the power cable and all mains voltage connections with particular caution!
- Never remove warning or informative labels from the unit.
- Do not open the equipment and do not modify the unit.
- Do not connect this equipment to a dimmer pack.
- Do not switch the equipment on and off in short intervals, as this will reduce the system's life.
- Only use the equipment indoors.
- Do not expose to flammable sources, liquids or gases.
- Always disconnect the power from the mains when equipment is not in use or before cleaning! Only handle the power-cable by the plug. Never pull out the plug by pulling the power-cable.
- Make sure that the available mains supply voltage is between 100~240V AC, 50/60Hz.
- Make sure that the power cable is never crimped or damaged. Check the equipment and the power cable periodically.
- If the equipment is dropped or damaged, disconnect the mains power supply immediately and have a qualified engineer inspect the equipment before operating again.
- If the equipment has been exposed to drastic temperature fluctuation (e.g. after transportation), do not connect power or switch it on immediately. The arising condensation might damage the equipment. Leave the equipment switched off until it has reached room temperature.
- If your product fails to function correctly, stop use immediately. Pack the unit securely (preferably in the original packing material), and return it to your Pro Light dealer for service.
- Only use fuses of same type and rating.
- Repairs, servicing and power connection must only be carried out by a qualified technician. THIS UNIT CONTAINS NO USER SERVICEABLE PARTS.
- Warning! Risk Group 2 LED product according to EN 62471. Do not view the light output with optical instruments or any device that may concentrate the beam.
- WARRANTY: One year from date of purchase.

OPERATING DETERMINATIONS

If this equipment is operated in any other way, than those described in this manual, the product may suffer damage and the warranty becomes void. Incorrect operation may lead to danger e.g: short-circuit, burns and electric shocks etc.

Do not endanger your own safety and the safety of others!

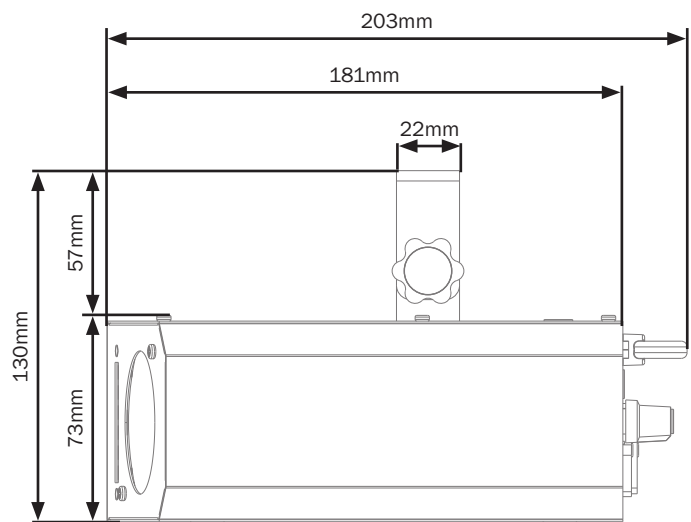
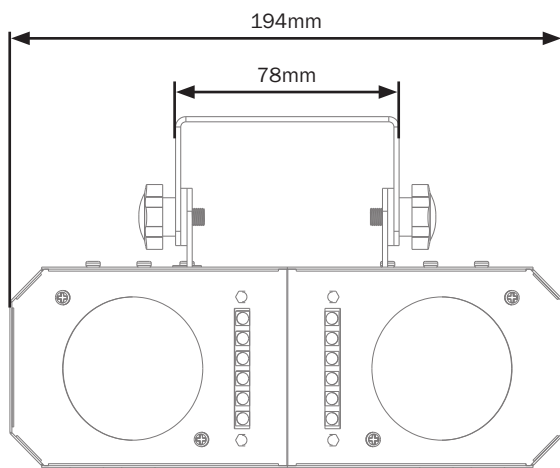
Incorrect installation or use can cause serious damage to people and/or property.

Boogie

The Boogie features 2 colour changing clusters of LEDs that cover a wide area. 12 white SMD LEDs sit in 2 vertical strips on the front of the unit adding a strobe effect for an extra dimension. Control is facilitated via 2 rotary knobs on the rear, one to select the auto or sound modes and the other for adjusting the speed/sensitivity settings.

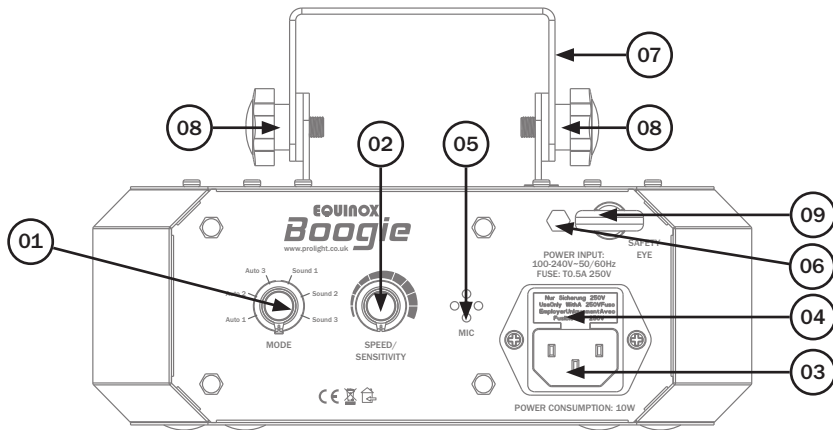
- 54 x 5mm LEDs (R: 18, G: 12, B: 24)
- 12 x white 5050 SMD LEDs
- Auto and sound active modes
- Supplied with hanging bracket
- 2 rotary knobs for mode/setting adjustment
- IEC power input
- Convection cooled

Specifications	
Power consumption	10W
Power supply	100-240V, 50/60Hz
Fuse	T0.5A 250V
Dimensions	130 x 194 x 203mm
Weight	1.1kg
Order code	EQLED376



Operation:

Connect the fixture to a suitable mains outlet using the IEC power input on the rear of the fixture. Use the mode selection rotary knob to choose one of the 3 auto or 3 sound modes, then use the speed/sensitivity rotary knob to select the auto program speed/sound sensitivity.



- 01 - Mode selection rotary knob
- 02 - Speed/sensitivity rotary knob
- 03 - IEC power input
- 04 - Fuse T0.5A 250V
- 05 - Microphone
- 06 - Earth point
- 07 - Hanging bracket
- 08 - Hanging bracket adjustment knob
- 09 - Safety eye

In the box: **1 x fixture, 1 x power cable & 1 x user manual**



Correct Disposal of this Product (Waste Electrical & Electronic Equipment)



(Applicable in the European Union and other European countries with separate collection systems)

This marking shown on the product or its literature, indicates that it should not be disposed of with other household wastes at the end of its working life. To prevent possible harm to the environment or human health from uncontrolled waste disposal, please separate this from other types of wastes and recycle it responsibly to promote the sustainable reuse of material resources.

Household users should contact either the retailer where they purchased this product, or their local government office, for details of where and how they can take this item for environmentally safe recycling.

Business users should contact their supplier and check the terms and conditions of the purchase contract. This product should not be mixed with other commercial wastes for disposal.