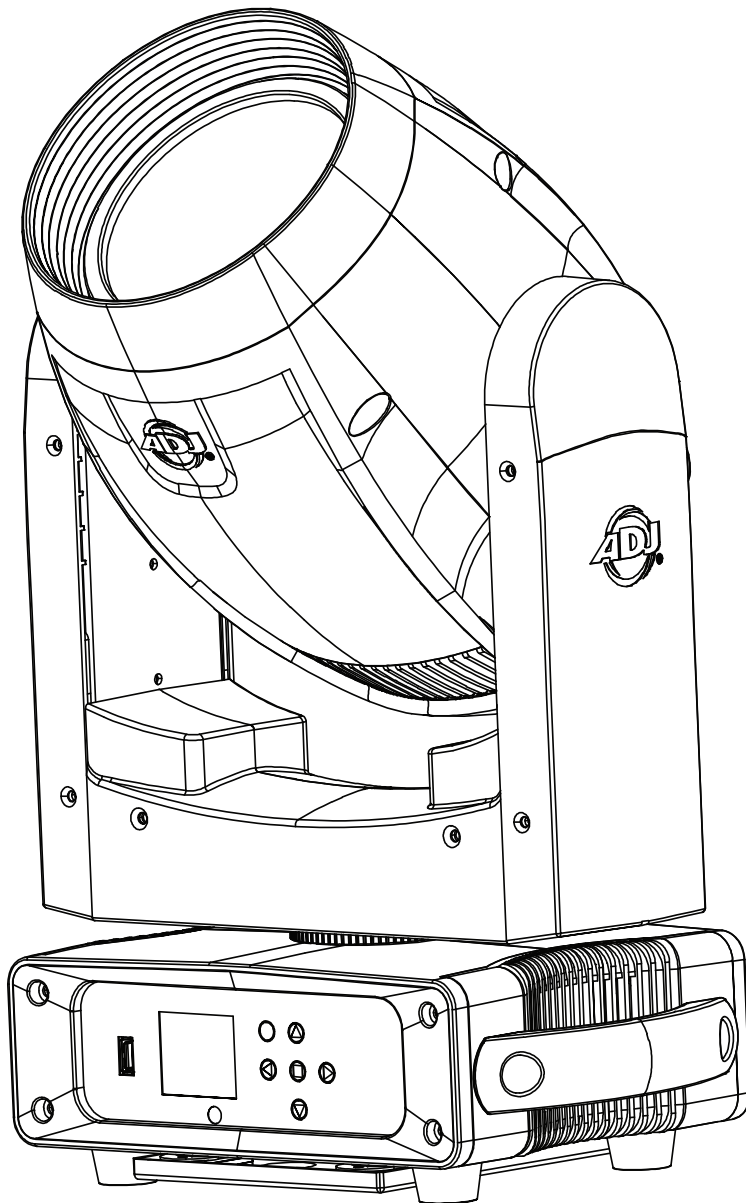




FOCUS BEAM LED



User Instructions

©2019 ADJ Products, LLC all rights reserved. Information, specifications, diagrams, images, and instructions herein are subject to change without notice. ADJ Products, LLC logo and identifying product names and numbers herein are trademarks of ADJ Products, LLC. Copyright protection claimed includes all forms and matters of copyrightable materials and information now allowed by statutory or judicial law or hereinafter granted. Product names used in this document may be trademarks or registered trademarks of their respective companies and are hereby acknowledged. All non-ADJ Products, LLC brands and product names are trademarks or registered trademarks of their respective companies.

ADJ Products, LLC and all affiliated companies hereby disclaim any and all liabilities for property, equipment, building, and electrical damages, injuries to any persons, and direct or indirect economic loss associated with the use or reliance of any information contained within this document, and/or as a result of the improper, unsafe, insufficient and negligent assembly, installation, rigging, and operation of this product.

FCC STATEMENT

This device complies with Part 15 of the FCC Rules. Operation is subject to the following two conditions: (1) this device may not cause harmful interference, and (2) this device must accept any interference received, including interference that may cause undesired operation.

FCC RADIO FREQUENCY INTERFERENCE WARNINGS & INSTRUCTIONS

This product has been tested and found to comply with the limits as per Part 15 of the FCC Rules. These limits are designed to provide reasonable protection against harmful interference in a residential installation. This device uses and can radiate radio frequency energy and, if not installed and used in accordance with the included instructions, may cause harmful interference to radio communications. However, there is no guarantee that interference will not occur in a particular installation. If this device does cause harmful interference to radio or television reception, which can be determined by turning the device off and on, the user is encouraged to try to correct the interference by one or more of the following methods:

- Reorient or relocate the device.
- Increase the separation between the device and the receiver.
- Connect the device to an electrical outlet on a circuit different from which the radio receiver is connected.
- Consult the dealer or an experienced radio/TV technician for help.

DOCUMENT VERSION

Due to additional product features and/or enhancements, an updated version of this document may be available online.

Please check www.adj.com for the latest revision/update of this manual before beginning installation and/or programming.

Date	Document Version	Software Version ≥	DMX Channel Mode	Notes
07/02/19	1	1.0.2	16 / 18	Initial Version
09/26/19	1.2	N/C	N/C	3-Pin DMX Updated to 5-Pin
10/31/19	2	1.0.4	N/C	“Reset All” Added to DMX Modes Pan Degree Selection Added Gamma Removed, Dimming Curves Added

Europe Energy Saving Notice

Energy Saving Matters (EuP 2009/125/EC)

Saving electric energy is a key to help protecting the environment. Please turn off all electrical products when they are not in use. To avoid power consumption in idle mode, disconnect all electrical equipment from power when not in use. Thank you!

Introduction	3
Features Warranty Registration	4
Safety Precautions	5
Overview	7
Installation	8
DMX Set Up	9
DMX Addressing	11
DMX Modes & Values	12
System Menu	17
Master-Slave Set Up	23
Dimmer Mode Chart Dimmer Curve Chart	24
Static Gobos Dimensional Drawings	25
Fuse Replacement Multiple Unit Power Linking	26
Trouble Shooting Cleaning	26
Limited Warranty (USA Only)	27
Technical Specifications	28

Unpacking: Thank you for purchasing the Focus Beam LED by ADJ Products, LLC. Every unit has been thoroughly tested and has been shipped in perfect operating condition. Carefully check the shipping carton for damage that may have occurred during shipping. If the carton appears to be damaged, carefully inspect your fixture for any damage and be sure all accessories necessary to operate the unit has arrived intact. In the case damage has been found or parts are missing, please contact our toll free customer support number for further instructions. Do not return this unit to your dealer without first contacting customer support.

Introduction: The Focus Beam LED is a DMX intelligent, moving head, LED fixture. This fixture can be used in a stand alone mode or connected in a Master/Slave configuration. The fixture comes equipped with 2 prisms (8 facet circular & 6 facet linear), focus, frost, 6 different dimming options with dimming speed control. The Focus Beam LED has 2 DMX channel modes; 16 & 18.

This product is intended to be used by professionally trained personnel only and is not suitable for private use.

Customer Support: Contact ADJ Service for any product related service and support needs. Also visit <https://forums.adj.com/> with questions, comments or suggestions.

Parts: To purchase parts online visit <http://parts.americandj.com>

ADJ SERVICE USA - Monday - Friday 8:00am to 4:30pm PST
Voice: 800-322-6337 | Fax: 323-582-2941 | support@adj.com

ADJ SERVICE EUROPE - Monday - Friday 08:30 to 17:00 CET
Voice: +31 45 546 85 60 | Fax: +31 45 546 85 96 | support@adj.eu

ADJ PRODUCTS LLC USA

6122 S. Eastern Ave. Los Angeles, CA. 90040
323-582-2650 | Fax 323-582-2941 | www.adj.com | info@adj.com

ADJ SUPPLY Europe B.V

Junostraat 2 6468 EW Kerkrade, The Netherlands
+31 (0)45 546 85 00 | Fax +31 45 546 85 99
www.adj.eu | info@americandj.eu

ADJ PRODUCTS GROUP Mexico

AV Santa Ana 30 Parque Industrial Lerma, Lerma, Mexico 52000
+52 (728) 282-7070

Caution! There are no user serviceable parts inside this unit. Do not attempt any repairs yourself, doing so will void your manufactures warranty. In the unlikely event your unit may require service please contact ADJ Products, LLC.

PLEASE recycle the shipping carton when ever possible.

Focus Beam LED

Features

- Individual Color and Gobo Wheels
- 13 Colors + White & Split Colors
- 14 Gobos + Open
- Electronic Dimming 0-100%
- DMX-512 protocol
- 3-Pin DMX Connections (Updated to 5-Pin DMX Connections 9/26/19)
- 2 DMX Channel Modes: 16 / 18
- Multiple Unit Power Linking (See page 25)

Included:

- 1 x powerCON Cable
- 1 x Safety Cable
- 2 x Omega Clamps

Focus Beam LED

Warranty Registration

The Focus Beam LED carries a 2 year limited warranty. Please fill out the enclosed warranty card to validate your purchase. All returned service items whether under warranty or not, must be freight prepaid and accompany a return authorization (R.A.) number. The R.A. number must be clearly written on the outside of the return package. A brief description of the problem as well as the R.A. number must also be written down on a piece of paper included in the shipping carton. If the unit is under warranty, you must provide a copy of your proof of purchase invoice. You may obtain a R.A. number by contacting our customer support team on our customer support number. All packages returned to the service department not displaying a R.A. number on the outside of the package will be returned to the shipper.

- **DO NOT TOUCH** the fixture housing during operation. Turn OFF the power and allow approximately 15 minutes for the fixture to cool down before servicing.
- **DO NOT** shake the fixture, avoid brute force when installing and/or operating the fixture.
- **DO NOT** operate the fixture if the power cord has become frayed, crimped and/or damaged. If the power cord is damaged, replace immediately with a new one of similar power rating.
- **DO NOT** Do not attempt to remove or break off the ground prong from the electrical cord. This prong is used to reduce the risk of electrical shock and fire in case of an internal short.
- **DO NOT** attempt to operate this unit, if it becomes damaged.
- **DO NOT** spill water or other liquids into or on to your unit.
- This unit is intended for indoor use only, use of this product outdoors voids all warranties.
- To reduce the risk of electrical shock or fire, do not expose this unit rain or moisture
- Disconnect from main power before making any type of connection.
- **DO NOT** block any air ventilation slots. All fan and air inlets must remain clean and never blocked. Allow approx. 6" (15cm) between fixture and other devices or a wall for proper cooling.
- Always be sure to mount this unit in an area that will allow proper ventilation. Allow about 6" (15cm) between this device and a wall.
- During the initial operation of this fixture, a light smoke or smell may emit from the interior of the fixture. This is a normal process and is caused by excess paint in the interior of the casing burning off from the heat. This will decrease gradually over time.
- **DO NOT** remove the cover under any conditions. There are no user serviceable parts inside.
- When installing fixture in a suspended environment, always use mounting hardware that is no less than M10 x 25mm, and always install fixture with an appropriately rated safety cable.
- Never operate this unit when it's cover is removed.
- Never plug this unit in to a dimmer pack
- During long periods of non-use, disconnect the unit's main power.
- Always mount this unit in safe and stable matter.
- Power-supply cords should be routed so that they are not likely to be walked on or pinched by items placed upon or against them, paying particular attention to the point they exit from the unit.
- Cleaning -The fixture should be cleaned only as recommended by the manufacturer. See page 25 for cleaning details.
- Heat -The appliance should be situated away from heat sources such as radiators, heat registers, stoves, or other appliances (including amplifiers) that produce heat.
- The fixture should be serviced by qualified service personnel when:
 - A. The power-supply cord or the plug has been damaged.
 - B. Objects have fallen, or liquid has been spilled into the fixture.
 - C. The fixture has been exposed to rain or water.
 - D. The fixture does not appear to operate normally or exhibits a marked change in performance.
 - E. The fixture has fallen and/or subjected to extreme handling.

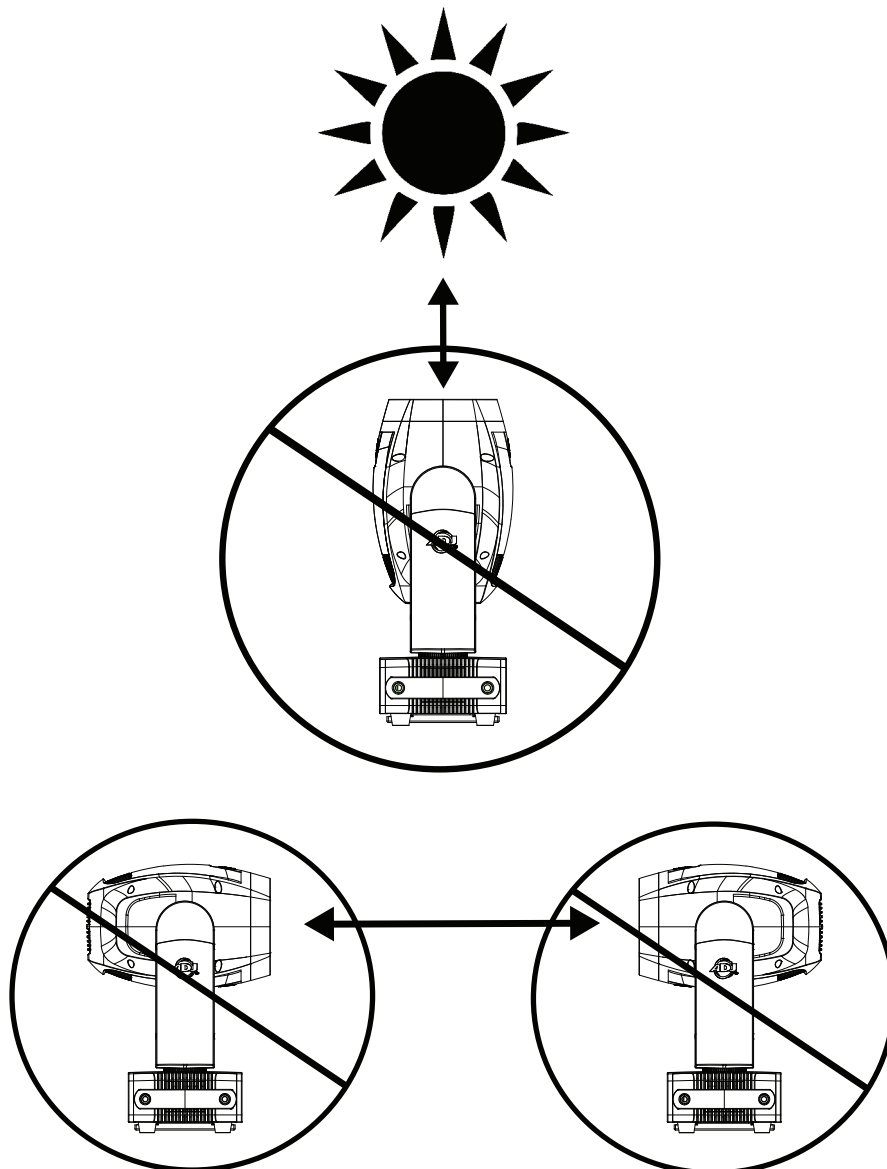
POTENTIAL INTERNAL FIXTURE DAMAGE FROM EXTERNAL SOURCES OF LIGHT BEAMS

External sources of light beams from direct sunlight, lighting moving head fixtures, and lasers, which are focused directly towards the exterior housing and/or penetrate the front lens opening of ADJ lighting fixtures, can cause severe internal damage including burning to optics, dichroic color filters, glass and metal gobos, prisms, animation wheels, frost filters, iris, shutters, motors, belts, wiring, discharge lamps, and LEDs.

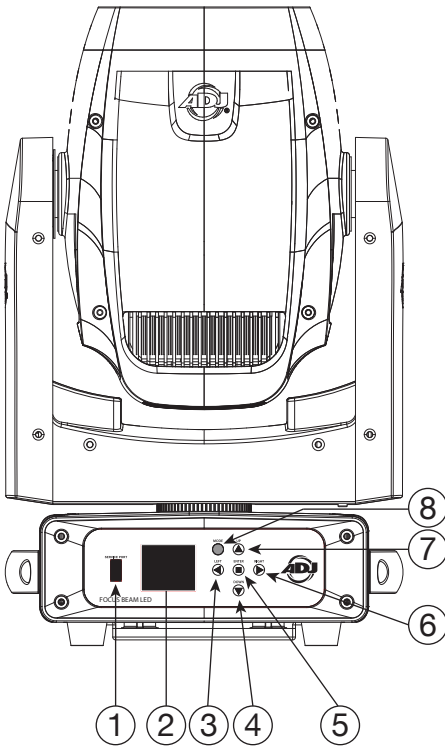
This issue is not specific only to ADJ lighting fixtures, it is a common issue with lighting fixtures from all manufacturers. Although there is no true way to fully prevent this issue from happening, the guidelines below can prevent any potential damage from occurring if followed. Contact ADJ Service for more details.

DO NOT EXPOSE THE FIXTURE AND/OR FRONT LENS OPENING TO LIGHT BEAMS FROM DIRECT SUNLIGHT, OTHER LIGHTING MOVING HEAD FIXTURES, AND LASERS WHILE UNPACKING, INSTALLATION, USE, AND EXTENDED IDLE TIMES OUTDOORS.

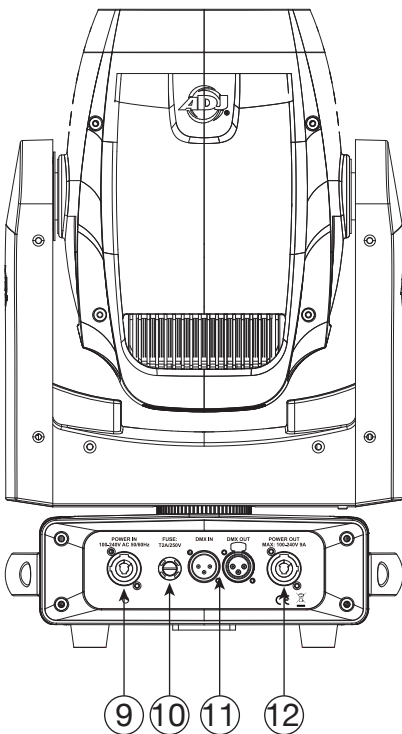
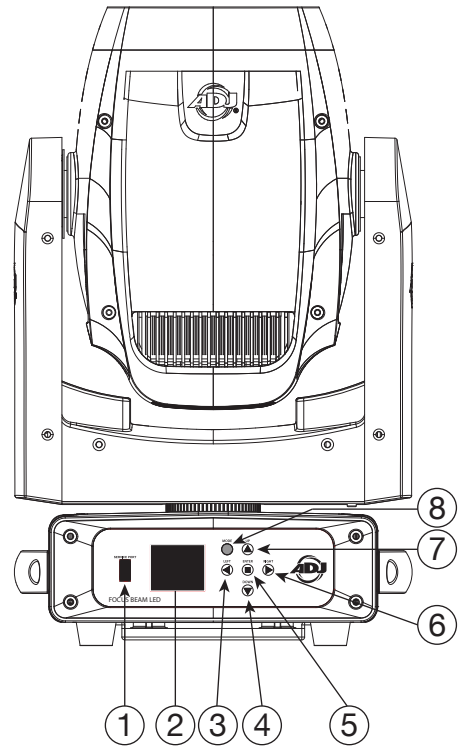
DO NOT FOCUS A LIGHT BEAM FROM ONE LIGHTING FIXTURE DIRECTLY TOWARDS ANOTHER.



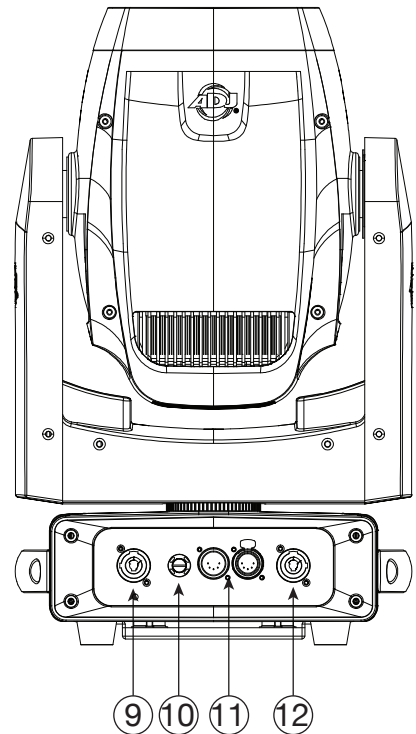
UPDATED 9/26/19



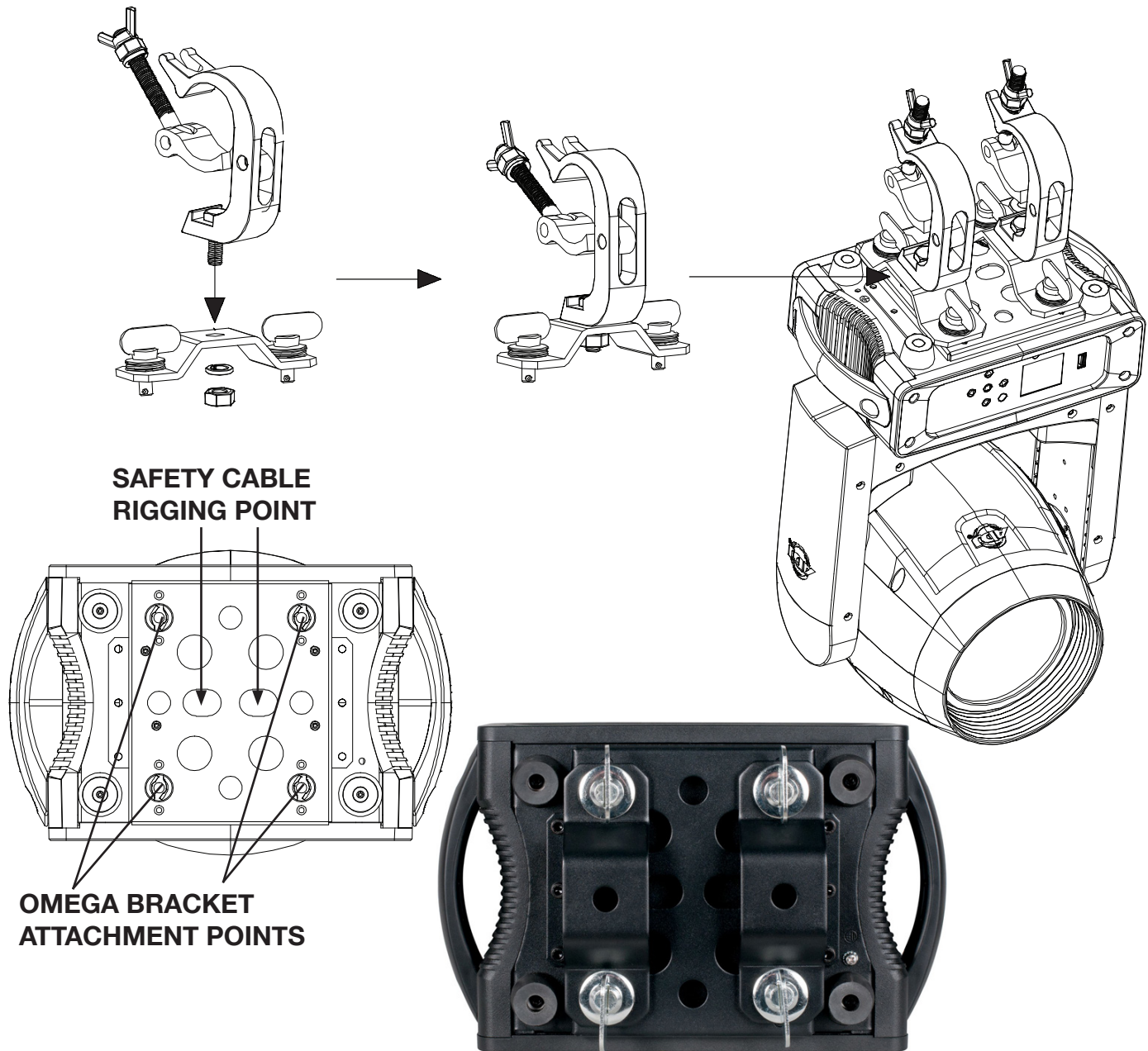
- 1. Service Port
- 2. LED Display
- 3. LEFT Button
- 4. DOWN Button
- 5. ENTER Button
- 6. RIGHT Button
- 7. UP Button
- 8. MODE Button



- 9. powerCON In
- 10. Fuse (3A)
- 11. 3-Pin DMX In/Out
5-Pin DMX In/Out
(Updated 9/26/19)
- 12. powerCON Out



NOTICE: When installing the unit, the trussing or area of installation must be able to hold 10 times the weight without any deformation. The suitable environmental temperature for this lighting fixture is between -25° C to 45° C. Do not place this lighting fixture in an environment where the temperatures are under or above the temperatures stated above. This will allow the fixture to run at its best and help prolong the fixture life. Be sure this fixture is kept at least 12m (40ft) away from any flammable materials (decoration etc.).



Screw one clamp each via a M12 screw and nut into the Omega bracket. Insert the quick-lock fasteners of the Omega holder's into the respective holes on the bottom of the Focus Beam LED. Tighten the quick-lock fasteners fully clockwise. Always use and install the supplied safety cable as a safety measure to prevent accidental damage and/or injury in the event the clamp fails. Pull the safety cable through the openings located on the base plate and over the trussing system or a safe fixation spot. Insert the end in the carabine and tighten the safety screw. **Note:** Never use the carrying handles for secondary attachment.

DMX-512: DMX is short for Digital Multiplex. This is a universal protocol used as a form of communication between intelligent fixtures and controllers. A DMX controller sends DMX data instructions from the controller to the fixture. DMX data is sent as serial data that travels from fixture to fixture via the DATA “IN” and DATA “OUT” XLR terminals located on all DMX fixtures (most controllers only have a DATA “OUT” terminal).

DMX Linking: DMX is a language allowing all makes and models of different manufactures to be linked together and operate from a single controller, as long as all fixtures and the controller are DMX compliant. To ensure proper DMX data transmission, when using several DMX fixtures try to use the shortest cable path possible. The order in which fixtures are connected in a DMX line does not influence the DMX addressing. For example; a fixture assigned a DMX address of 1 may be placed anywhere in a DMX line, at the beginning, at the end, or anywhere in the middle. When a fixture is assigned a DMX address of 1, the DMX controller knows to send DATA assigned to address 1 to that unit, no matter where it is located in the DMX chain.

Data Cable (DMX Cable) Requirements (For DMX Operation): The Focus Beam LED can be controlled via DMX-512 protocol. The Focus Beam LED has 2 DMX channel modes. The DMX address is set on the front panel of the Focus Beam LED. Your unit and your DMX controller require a standard 3-pin XLR connector for data input and data output (Figure 1). We recommend Accu-Cable DMX cables. If you are making your own cables, be sure to use standard 110-120 Ohm shielded cable (This cable may be purchased at almost all pro lighting stores). Your cables should be made with a male and female XLR connector on either end of the cable. Also remember that DMX cable must be daisy chained and cannot be split.



Figure 1

Notice: Be sure to follow figures two and three when making your own cables. Do not use the ground lug on the XLR connector. Do not connect the cable’s shield conductor to the ground lug or allow the shield conductor to come in contact with the XLR’s outer casing. Grounding the shield could cause a short circuit and erratic behavior.

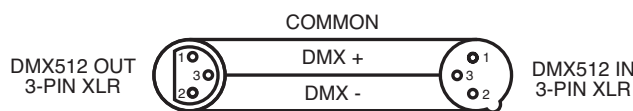


Figure 2

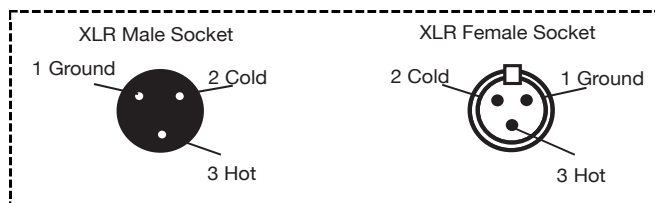
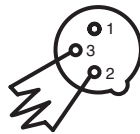


Figure 3

XLR Pin Configuration
Pin 1 = Ground
Pin 2 = Data Complement (negative)
Pin 3 = Data True (positive)

Special Note: Line Termination. When longer runs of cable are used, you may need to use a terminator on the last unit to avoid erratic behavior. A terminator is a 110-120 ohm 1/4 watt resistor which is connected between pins 2 and 3 of a male XLR connector (DATA + and DATA -). This unit is inserted in the female XLR connector of the last unit in your daisy chain to terminate the line. Using a cable terminator (ADJ part number Z-DMX/T) will decrease the possibilities of erratic behavior.



Termination reduces signal errors and avoids signal transmission problems and interference. It is always advisable to connect a DMX terminal, (Resistance 120 Ohm 1/4 W) between PIN 2 (DMX-) and PIN 3 (DMX +) of the last fixture.

Figure 4

5-Pin XLR DMX Connectors. Some manufactures use 5-pin DMX-512 data cables for DATA transmission in place of 3-pin. 5-pin DMX fixtures may be implemented in a 3-pin DMX line. When inserting standard 5-pin data cables in to a 3-pin line a cable adaptor must be used, these adaptors are readily available at most electric stores. The chart below details a proper cable conversion.

3-Pin XLR to 5-Pin XLR Conversion		
Conductor	3-Pin XLR Female (Out)	5-Pin XLR Male (In)
Ground/Shield	Pin 1	Pin 1
Data Compliment (- signal)	Pin 2	Pin 2
Data True (+ signal)	Pin 3	Pin 3
Not Used		Do Not Use
Not Used		Do Not Use

All fixtures should be given a DMX starting address when using a DMX controller, so the correct fixture responds to the correct control signal. This digital starting address is the channel number from which the fixture starts to “listen” to the digital control signal sent out from the DMX controller. The assignment of this starting DMX address is achieved by setting the correct DMX address on the digital control display on the fixture.

You can set the same starting address for all fixtures or a group of fixtures, or set different addresses for each individual fixture. Setting all fixtures to the same DMX address will cause all fixtures to react in the same way, in other words, changing the settings of one channel will affect all the fixtures simultaneously.

If you set each fixture to a different DMX address, each unit will start to “listen” to the channel number you have set, based on the quantity of DMX channels of each fixture. That means changing the settings of one channel will only affect the selected fixture.

In the case of the Focus Beam LED, when in 16 channel mode you should set the starting DMX address of the first unit to 1, the second unit to 17 (16 + 1), the third unit to 33 (17 + 16), and so on. (See the chart below for more details.)

Channel Mode	Unit 1 Address	Unit 2 Address	Unit 3 Address	Unit 4 Address
16 Channels	1	17	33	49
18 Channels	1	19	37	55

16 Channels	18 Channels	Values	Functions
1	1	000-255	PAN MOVEMENT 8-BIT: Pan Movement (0° - 630°)
	2	000-255	PAN FINE 16-BIT: Fine Control of Pan Movement
2	3	000-255	TILT MOVEMENT 8-BIT: Tilt Movement (0° - 270°)
	4	000-255	TILT FINE 16-BIT: Fine Control of Tilt Movement
3	5		COLOR WHEEL:
		000-004	Open / White
		005-011	White + Red
		012-018	Red
		019-025	Red + Light Blue
		026-032	Light Blue
		033-039	Light Blue + Green
		040-046	Green
		047-053	Green + Yellow
		054-060	Yellow
		061-067	Yellow + Orange
		068-074	Orange
		075-081	Orange + Magenta
		082-088	Magenta
		089-095	Magenta + Amber
		096-102	Amber
		103-109	Amber + Lime
		110-116	Lime
		117-123	Lime + Purple
		124-130	Purple
		131-137	Purple + Pink
		138-144	Pink
		145-151	Pink + Cyan
152-158	Cyan		
159-165	Cyan + CTO		
166-172	CTO		
173-179	CTO + Blue		
180-186	Blue		
187-193	Blue + White		
194-220	Clockwise Rotation Fast - Slow		
221-229	Stop		
230-255	Counter-Clockwise Rotation Slow - Fast		

NOTE: The Prism and Frost channels **CANNOT** be used at the same time. The Frost channel will override the Prism channel.

16 Channels	18 Channels	Values	Functions
4	6		GOBO WHEEL:
		000-003	Open
		004-007	Gobo 1
		008-011	Gobo 2
		012-015	Gobo 3
		016-019	Gobo 4
		020-023	Gobo 5
		024-027	Gobo 6
		028-031	Gobo 7
		032-035	Gobo 8
		036-039	Gobo 9
		040-043	Gobo 10
		044-047	Gobo 11
		048-051	Gobo 12
		052-055	Gobo 13
		056-059	Gobo 14
		060-063	Open
		064-068	Gobo 1 Shake
		069-072	Gobo 2 Shake
		073-076	Gobo 3 Shake
		077-080	Gobo 4 Shake
		081-084	Gobo 5 Shake
		085-089	Gobo 6 Shake
		090-093	Gobo 7 Shake
		094-097	Gobo 8 Shake
		098-101	Gobo 9 Shake
102-105	Gobo 10 Shake		
106-110	Gobo 11 Shake		
111-114	Gobo 12 Shake		
115-118	Gobo 13 Shake		
119-122	Gobo 14 Shake		
123-127	Open Shake		
128-189	Counter-Clockwise Rotation Fast - Slow		
190-193	Stop		
194-255	Clockwise Rotation Slow - Fast		
5	7		PRISM 1 (8 FACET CIRCULAR):
		000-007	Close
		008-255	Open
6	8		ROTATING PRISM 1 (8 FACET CIRCULAR):
		000-127	Indexing
		128-189	Clockwise Rotation Fast - Slow
		190-193	Stop
194-255	Counter-Clockwise Rotation Slow - Fast		
7	9		PRISM 2 (6 FACET LINEAR):
		000-007	Close
		008-255	Open
8	10		ROTATING PRISM 2 (6 FACET LINEAR):
		000-127	Indexing
		128-189	Clockwise Rotation Fast - Slow
		190-193	Stop
194-255	Counter-Clockwise Rotation Slow - Fast		

16 Channels	18 Channels	Values	Functions
9	11		SHUTTER & STROBING:
		000-031	Close
		032-063	Open
		064-095	Strobing Slow - Fast
		096-127	Open
		128-159	Pulsating Strobe
		160-191	Open
		192-223	Random Strobing Slow - Fast
		224-255	Open
10	12		MASTER DIMMER:
		000-255	0% - 100%
11	13		DIMMER FINE:
		000-255	0% - 100%
12	14		FOCUS:
		000-255	Linear Near - Far
13	15		FROST:
		000-255	0% - 100%
14	16		DIMMER MODES:
		000-020	Standard
		021-040	Stage
		041-060	TV
		061-080	Architectural
		081-100	Theatre
		101-120	Stage 2
			DIMMER DELAY TIME
		121	0.1Sec.
		122	0.2Sec.
		123	0.3Sec.
		124	0.4Sec.
		125	0.5Sec.
		126	0.6Sec.
		127	0.7Sec.
		128	0.8Sec.
		129	0.9Sec.
		130	1.0Sec.
		131	1.5Sec.
		132	2.0Sec.
		133	3.0Sec.
		134	4.0Sec.
		135	5.0Sec.
		136	6.0Sec.
137	7.0Sec.		
138	8.0Sec.		
139	9.0Sec.		
140	10Sec.		
		141-255	Default to Unit Setting
15	17		PAN/TILT SPEED:
		000-255	Fast - Slow

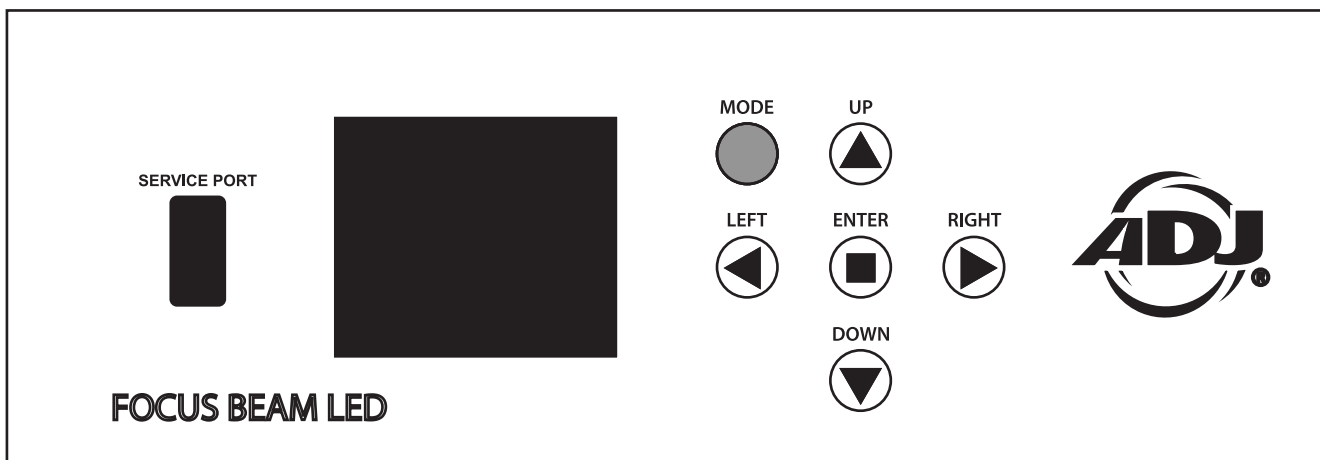
16 Channels	18 Channels	Values	Functions
16	18		LED REFRESH RATE & SPECIAL FUNCTIONS:
		000-010	Default LED Refresh Rate 1200Hz
		011-078	Refresh Rate (Hz)
		11	900
		12	910
		13	920
		14	930
		15	940
		16	950
		17	960
		18	970
		19	980
		20	990
		21	1000
		22	1010
		23	1020
		24	1030
		25	1040
		26	1050
		27	1060
		28	1070
		29	1080
		30	1090
		31	1100
		32	1110
		33	1120
		34	1130
		35	1140
		36	1150
		37	1160
		38	1170
		39	1180
		40	1190
		41	1210
		42	1220
		43	1230
		44	1240
		45	1250
		46	1260
		47	1270
		48	1280
		49	1290
		50	1300
		51	1310
		52	1320
		53	1330
		54	1340
		55	1350
		56	1360
		57	1370
		58	1380
		59	1390
		60	1400

16 Channels	18 Channels	Values	Functions
16	18		LED REFRESH RATE & SPECIAL FUNCTIONS:
		61	1410
		62	1420
		63	1430
		64	1440
		65	1450
		66	1460
		67	1470
		68	1480
		69	1490
		70	1500
		71	2500
		72	4000
		73	5000
		74	6000
		75	10,000
		76	15,000
		77	20,000
		78	25,000
		79	Disable LED Refresh Rate
		080-089	Enable Blackout with Pan/Tilt Movement
		090-099	Disable Blackout with Pan/Tilt Movement
		100-109	Enable Blackout with Color Change
		110-119	Disable Blackout with Color Change
		120-129	Enable Blackout with Gobo Change
		130-139	Disable Blackout with Gobo Change
		140-149	Pan/Tilt Reset
		150-159	Focus Reset
		160-169	Effect Reset
		170-179	Shutter Reset
180-189	Internal Program 1 (Scenes 1-8)		
190-199	Internal Program 2 (Scenes 9-16)		
200-209	Internal Program 3 (Scenes 17-24)		
210-219	Internal Program 4 (Scenes 25-32)		
220-229	Internal Program 5 (Scenes 33-40)		
230-239	Internal Program 6 (Scenes 41-48)		
240-249	Internal Program 7 (Scenes 49-56)		
250-255	No Function		
SOFTWARE UPDATE - DMX Values 250-255 Updated in Software Version \geq1.0.4			
16	18	250-255	Reset All

SYSTEM MENU

The fixture includes an easy to navigate system menu control panel display where all necessary settings and adjustments are made. (See image below) During normal operation, pressing the **MODE** button once will access the fixture's main menu. Once in the main menu, you can navigate through the different menus and the sub-menus with the **UP** and **DOWN** buttons. When you reach a field that requires adjusting, press the **ENTER** button to access that field and use the **UP**, **DOWN**, **LEFT** or **RIGHT** buttons (depending on the sub menu) to adjust the field. Pressing the **ENTER** button once more to confirm your setting. You may exit the main menu at any time without making any adjustments by pressing the **MODE** button.

To access the system menu when the fixture is not powered using the internal battery, press and hold the MODE button to illuminate the LCD screen until the DMX address is displayed. Then navigate to the desired system menu.



LCD CONTROL PANEL LOCKOUT

When the **Key Lock** function is activated, the control panel will automatically lock after the time set under the **SCREEN SAVER DELAY** submenu.

When the **Key Lock** function is set to **ON**, the control panel will lock and the display will show “**Un-lock**” at the bottom of the display. Press and hold the **MODE** button for 3 seconds to unlock.

When the **Key Lock** function is set to **ON1**, the control panel will lock and the display will show “**Unlock**” at the bottom of the display. To unlock the display follow these steps:

1. Press the **UP** button, and the display will show *****.
2. Press the **DOWN** button, and the display will show ******.
3. Press the **UP** button, and the display will show *******.
4. Press the **DOWN** button, and the display will show ********.
5. Press the **ENTER** button, to confirm.

If the button sequence was entered correctly, the display and control panel will unlock. If the button sequence was entered incorrectly, the display will return to the DMX address display.

Software Version ≤V1.0.3

MENU	SUBMENU	OPTIONS	DESCRIPTION	
DMX SETTINGS	Set Address	001-XXX	DMX Addressing	
	DMX Channel Mode	16Ch / 18Ch	DMX Channel Mode Selection	
	No DMX Status	Hold Last / Blackout / Manual	DMX Lost Status	
PERSONALITY	Status Settings	Pan Invert: ON / OFF	Reverse Pan Motion	
		Tilt Invert: ON / OFF	Reverse Tilt Motion	
		P./T. Feedback: ON / OFF	Pan/Tilt Movement Feedback	
		P./T. Speed: Speed 1 / Speed 2	Pan/Tilt Movement Speed	
		Hibernation: Off / 01M~99M / 15M	Sleep Setting (No Activity)	
	Fan Settings	Head Fan: Auto / High / Silent (Low)	Fan Speed Setting	
	Dim Modes	Standard/Stage/TV/Architectur/Theatre/Stage2 Dim Speed: 0.1-0.9s ~ 1-10s	Dimming Curve Modes Dimming Speed	
	LED Refresh Rate	1200 / 900-1500 / 2500 / 4000 / 5000 / 6000 10000 / 15000 / 20000 / 25000 (Hz)	LED Refresh Setting	
	Gamma	1.0 / 2.0 / 2.2 / 2.4 / 2.6 / 2.8	Gamma Brightness	
	Reset Motors	Reset All Motors: YES / NO	Reset All Motors	
		Pan/Tilt Reset: YES / NO	Reset the Pan & Tilt Motors	
		Effect Reset: YES / NO	Reset the Effect Motor	
		Shutter Reset: YES / NO	Reset the Shutter Motor	
	Display	Intensity: 1~10 (Dimmest-Brightest)	Display Intensity Adjustment	
		Display Invert: YES / NO	Display Inversion	
		Screen Saver Delay: OFF~10M	Display Shutoff Time	
		Key Lock: OFF / ON / ON1	Display Control Lock	
	Service	Pass Code = 050	Effect Adjust (Calibration) (Pass Code = 50)	Calibration Adjustment
			USB Port Power: ON / OFF	USB Port Activation
			Update Software: YES / NO	Software Update
			Factory Restore: YES / NO (Pass Code = 11)	Restore Factory Settings
MANUAL CONTROL	Pan	000-255	Manual Control Settings	
	Pan Fine	000-255		
	Tilt	000-255		
	Tilt Fine	000-255		
	Color	000-255		
	Gobo	000-255		
	Prism 1	000-255		
	Prism 1 Rot.	000-255		
	Prism 2	000-255		
	Prism 2 Rot.	000-255		
	Shutter	000-255		
	Dimmer	000-255		
	Dimmer Fine	000-255		
	Focus	000-255		
	Frost	000-255		
	Dim Modes	000-255		
	P/T Speed	000-255		
Special Function	000-255			

Software Version ≥V1.0.4

MENU	SUBMENU	OPTIONS	DESCRIPTION	
DMX SETTINGS	Set Address	001-XXX	DMX Addressing	
	DMX Channel Mode	16Ch / 18Ch	DMX Channel Mode Selection	
	No DMX Status	Hold Last / Blackout / Manual	DMX Lost Status	
PERSONALITY	Status Settings	Pan Degree: 630 / 540	Pan Degree Selection	
		Pan Invert: ON / OFF	Reverse Pan Motion	
		Tilt Invert: ON / OFF	Reverse Tilt Motion	
		P./T. Feedback: ON / OFF	Pan/Tilt Movement Feedback	
		P./T. Speed: Speed 1 / Speed 2	Pan/Tilt Movement Speed	
		Hibernation: Off / 01M~99M / 15M	Sleep Setting (No Activity)	
	Fan Settings	Head Fan: Auto / High / Silent (Low)	Fan Speed Setting	
	Dim Modes	Standard/Stage/TV/Architectur/Theatre/Stage2 Dim Speed: 0.1-0.9s ~ 1-10s	Dimming Curve Modes Dimming Speed	
	LED Refresh Rate	1200 / 900-1500 / 2500 / 4000 / 5000 / 6000 10000 / 15000 / 20000 / 25000 (Hz)	LED Refresh Setting	
	Dim Curve	Linear / Square / Inverse Square / S-Curve	Set Dimming Curve	
	Reset Motors	Reset All Motors: YES / NO	Reset All Motors	
		Pan/Tilt Reset: YES / NO	Reset the Pan & Tilt Motors	
		Effect Reset: YES / NO	Reset the Effect Motor	
		Shutter Reset: YES / NO	Reset the Shutter Motor	
	Display	Intensity: 1~10 (Dimmest-Brightest)	Display Intensity Adjustment	
		Display Invert: YES / NO	Display Inversion	
		Screen Saver Delay: OFF~10M	Display Shutoff Time	
		Key Lock: OFF / ON / ON1	Display Control Lock	
	Service	Pass Code = 050	Effect Adjust (Calibration) (Pass Code = 50)	Calibration Adjustment
			USB Port Power: ON / OFF	USB Port Activation
			Update Software: YES / NO	Software Update
			Factory Restore: YES / NO (Pass Code = 11)	Restore Factory Settings
	MANUAL CONTROL	Pan	000-255	Manual Control Settings
Pan Fine		000-255		
Tilt		000-255		
Tilt Fine		000-255		
Color		000-255		
Gobo		000-255		
Prism 1		000-255		
Prism 1 Rot.		000-255		
Prism 2		000-255		
Prism 2 Rot.		000-255		
Shutter		000-255		
Dimmer		000-255		
Dimmer Fine		000-255		
Focus		000-255		
Frost		000-255		
Dim Modes		000-255		
P/T Speed		000-255		
Special Function	000-255			

MENU	SUBMENU	OPTIONS	DESCRIPTION	
INTERNAL PROGRAMS	Program 1	Speed: 000~255 Fade: 000~255	Program 1 with Adjustments	
	Program 2	Speed: 000~255 Fade: 000~255	Program 2 with Adjustments	
	Program 3	Speed: 000~255 Fade: 000~255	Program 3 with Adjustments	
	Program 4	Speed: 000~255 Fade: 000~255	Program 4 with Adjustments	
	Program 5	Speed: 000~255 Fade: 000~255	Program 5 with Adjustments	
	Program 6	Speed: 000~255 Fade: 000~255	Program 6 with Adjustments	
	Program 7	Speed: 000~255 Fade: 000~255	Program 7 with Adjustments	
INFORMATION	Fixture Life Time	Power On Time: XXXXXX Hours	Total Running Time (Not Resettable)	
		P-On Time-R: XXXXXX Hours	Total Running Time (Resettable)	
		P-On Time-Reset: YES / NO Pass Code = 50	Reset Total Running Time	
	Total LED Time	LED On Time: XXXXXX Hours	Total LED On Running Time (Not Resettable)	
		LED On Time-R: XXXXXX Hours	LED On Running Time (Resettable)	
		LED Hours Reset: YES / NO Pass Code = 50	Reset LED Running Time	
	Fixture Temps	LED's	Current: XXX °F / XXX °C	Current Head Temperature
			Max Resettable: XXX °F / XXX °C	Maximum Temperature ⁽¹⁾ Reached (Resettable) (See Note 1)
			Max Not Resettable: XXX °F / XXX °C	Maximum Temperature ⁽²⁾ Reached (Not Resettable) (See Note 2)
		Reset Lamp Temp: YES / NO (Pass Code = 050)	Reset LED Temperature (Max Resettable)	
	Fan Info. (RPM)	LED Fan: XXXX	LED Fan Speed	
	DMX Values ⁽³⁾ (See Note 3)	Pan / Pan Fine / Tilt / Tilt Fine / Color / Gobo / Prism 1 / Prism 1 Rot / Prism 2 / Prism 2 Rot / Dimmer / Dimmer Fine / Focus / Frost / Dim Modes / P/T Speed / Special Function	Current DMX Values	
	Error Logs	Fixture Errors	List of Errors (One by One)	
		Reset Error Log - Pass Code = 50	Clear the Error Log	
Software Version	X.XX	Current Software Version		

Notes:

(1) Current Maximum Temperature - Maximum fixture temp. that has been recorded, before reset and after reset.

(2) Maximum Temperature - Overall maximum fixture temp. that has been recorded. (Not Resettable)

(3) DMX Value options depend on the current DMX Channel mode setting.

DMX SETTINGS - The submenus listed under **DMX SETTINGS** are as follows: **Set Address**, **DMX Channel Mode**, and **No DMX Status**.

- **SET ADDRESS** - In this submenu you can find and set your desired DMX address.
- **DMX CHANNEL MODE** - In this submenu you can find and set your desired DMX channel mode.
- **NO DMX STATUS** - This submenu setting is used as a precaution mode in case the DMX signal is lost or interrupted. The operating mode chosen in this submenu is the running mode the fixture will go into when the DMX signal is lost. Listed below are the 3 modes.
 - **Hold Last** - This setting will have the fixture stay in the last DMX setup.
 - **Blackout** - This setting will have the fixture automatically go into stand by mode.
 - **Manual** - This setting will go into the current manual control set up. See **MANUAL CONTROL**.

PERSONALITY - The submenus listed under **PERSONALITY** are as follows: **Status Settings**, **Fan Settings**, **Dim Modes**, **LED Refresh Rate**, **Gamma**, **Reset Motors**, **Display**, and **Service**.

- **STATUS SETTINGS** - In this submenu you are able to access and adjust/change: Pan Degree, Pan Invert, Tilt Invert, P./T. Feedback, P./T. Speed, and Hibernation.
NOTE: Pan Degree Added with software version $\geq 1.0.4$
- **FAN SETTINGS** - In this submenu you are able to select your desired fan speed setting.
- **DIM MODES** - In this submenu you are able to select your desired dimmer mode and adjust the dimming speed time.
- **LED REFRESH RATE** - In this submenu you are able to select your desired LED refresh rate.
- **GAMMA** - In this submenu you are able to select your desired gamma setting.
NOTE: Remove from software version $\leq 1.0.3$.
- **DIM CURVE** - In this submenu you are able to select your desired dimmer curve setting.
NOTE: Added with software version $\geq 1.0.4$
- **RESET MOTORS** - In this submenu you are able to reset selected motors.
- **DISPLAY** - In this submenu you you are able to adjust the display intensity, invert the display, activate the display blackout, and activate/deactivate the display lock.
- **SERVICE** - In this submenu you are able to access and adjust/change: the calibration (effect adjust), activate the service port, update software, and restore the factory settings.

MANUAL CONTROL - This menu is for manual testing and manual control. Pan, tilt, color wheel, gobo wheel, prism 1, prism 1 rotation, shutter, dimmer, focus, frost can all be tested/adjusted.

NOTE: The Prism and Frost features **CANNOT** be used at the same time.

INTERNAL PROGRAMS - In this menu you are able to select 1 of 7 internal programs to run. Program running speed and fade speed are adjustable.

INFORMATION - The submenus listed under **INFORMATION** are as follows: *Fixture Life Time, Total LED Time, Fixture Temps, Fan Info. (RPM), DMX Values, Error Logs, and Software Version.*

- **FIXTURE LIFE TIME**

- **Power On Time** - The **TOTAL** power ON running time of the unit is displayed. This time **CANNOT** be reset.
- **P-On Time-R** - The **CURRENT** power ON running time of the unit is displayed. This running time may not be the same as the total power ON running time displayed under "**Power On Time**". This time **CAN** be reset. **NOTE: The displayed time represents the current power ON time since the last reset.**
- **P-On Time-Reset** - Reset the **CURRENT** power ON running time that is displayed under "**P-On Time-R**".

- **TOTAL LED TIME**

- **LED On Time** - The **TOTAL** LED ON time is displayed. This total LED ON time **CANNOT** be reset. **NOTE: The displayed time represents the TOTAL LED ON time.**
- **LED On Time-R** - The **CURRENT** LED ON running time is displayed. This running time may not be the same as the total LED ON time displayed under "**LED On Time**". This total LED ON time **CAN** be reset. **NOTE: The displayed time represents the current LED ON time since the last reset.**
- **LED On Time Reset** - With this function you can reset the **CURRENT** LED ON time that is displayed under "**LED On Time-R**".

- **FIXTURE TEMPS**

- **LED** - The current temperature of the LED is displayed.
- **Reset LED Temp** - Reset the LED temperature reading.

- **FAN INFO. (RPM)** - In this submenu the current fan speed will be displayed.

- **DMX VALUES** - Displays the DMX values of any DMX channel that is currently in use. **NOTE: DMX value options depend on the current DMX channel mode setting.**

- **ERROR LOGS** - In this submenu you are able to check any unit errors as well as clearing the error log.

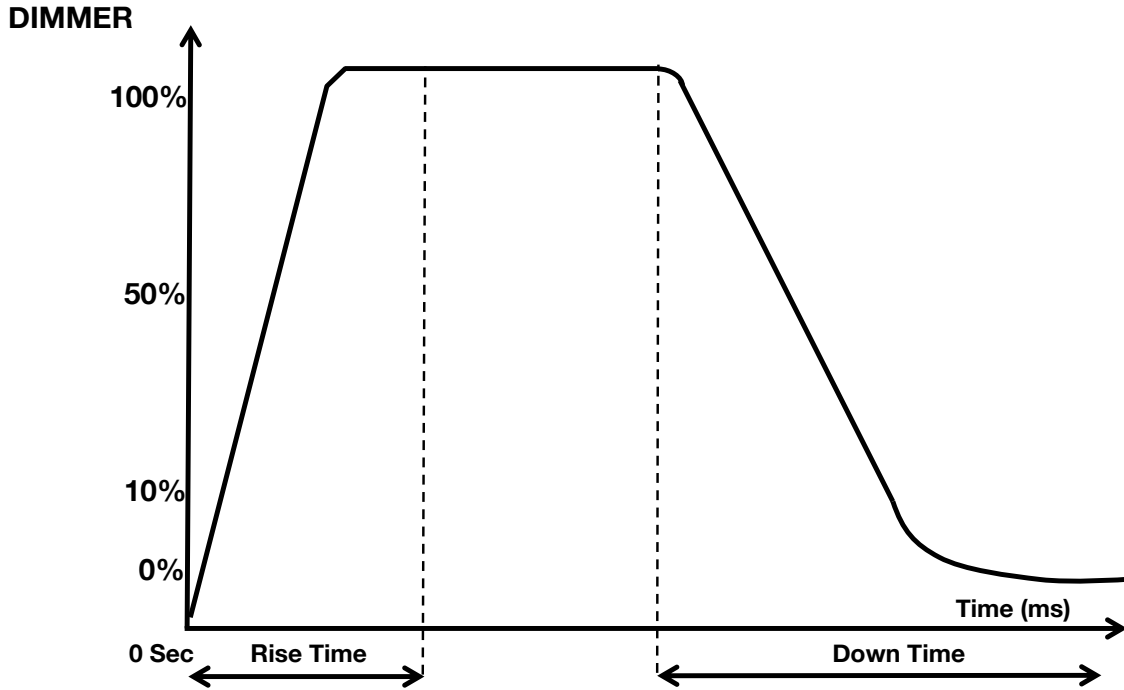
- **SOFTWARE VERSION** - Current software version is displayed.

Master-Slave Configuration:

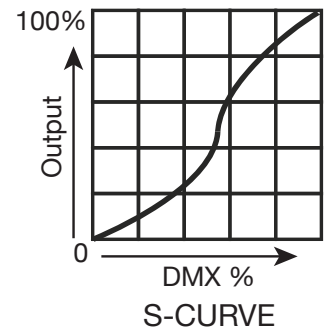
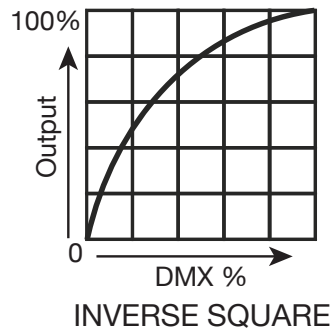
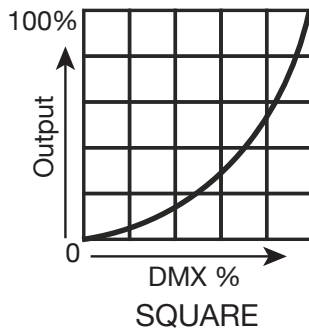
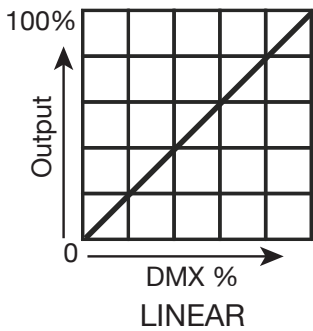
This function will allow you to link units together to run in a Master-Slave set-up. In a Master-Slave set up one unit will act as the controlling unit and the others will react to the controlling units built-in programs. Any unit can act as a Master or as a Slave however, only one unit can be programmed to act as the “Master.”

Master-Slave Connections and Settings:

1. Daisy chain your units via the XLR connector on the rear of the unit. Use standard XLR data cables to link your units together. Remember that the Male XLR connector is the input and the Female XLR connector is the output. The first unit in the chain (master) will use the female XLR connector only. The last unit in the chain will use the male XLR connector only.
2. Set the “Master” unit to your desired mode of operation.
3. Connect the first “Slave” unit to the “Master.”
4. Set the “Slave” unit(s) to DMX control.

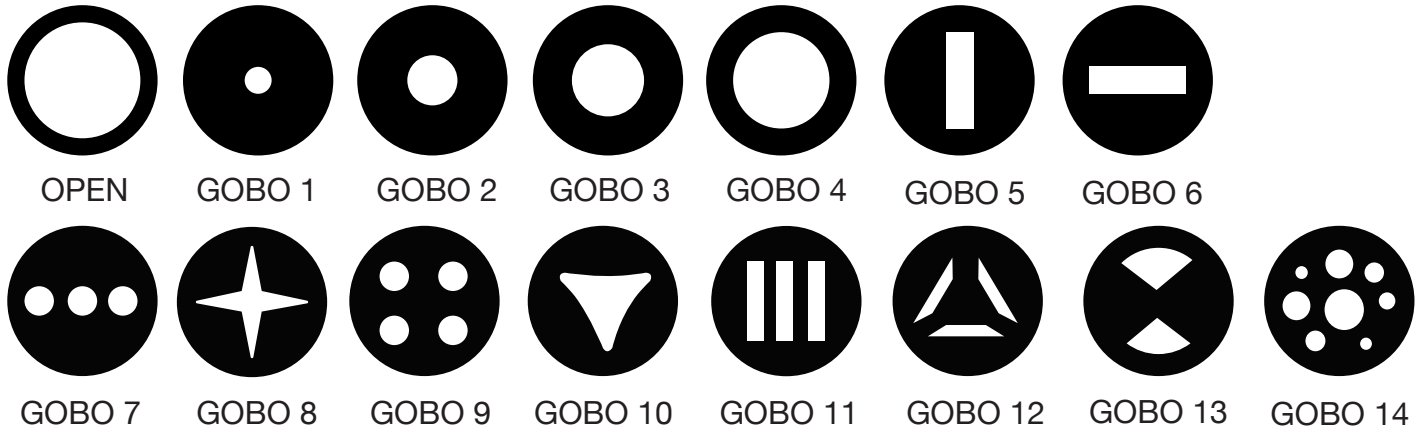


Dimming Curve Ramp Effect	0 sec Fade Time		1 sec Fade Time	
	Rise Time (ms)	Down Time (ms)	Rise Time (ms)	Down Time (ms)
Standard (default)	0	0	0	0
Stage	780	1100	1540	1660
TV	1180	1520	1860	1940
Architectural	1380	1730	2040	2120
Theatre	1580	1940	2230	2280
Stage 2	0	1100	0	1660



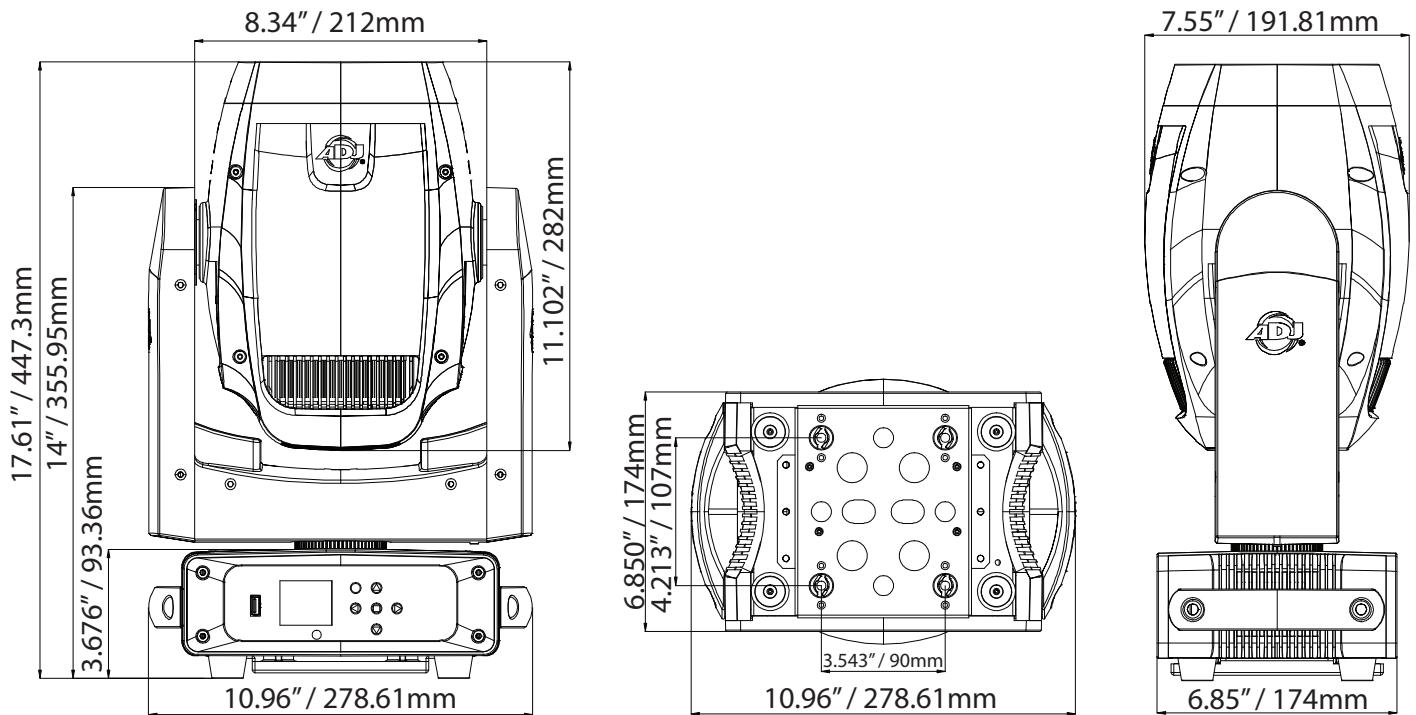
Focus Beam LED

Static Gobos



Focus Beam LED

Dimensional Drawing



Focus Beam LED

Fuse Replacement

Unplug the unit from any power source it may be connected to. Once the power has been disconnected, use a flat head screw driver to unscrew the fuse holder located next to the powerCON input. Remove the bad fuse and replace with a new one, and screw the fuse holder back in.

Focus Beam LED

Multiple Unit Power Linking

With this feature you can connect the fixtures to one another using the power cable input and output sockets.

NOTE: USE CAUTION WHEN POWER LINKING OTHER FIXTURES AS THE POWER CONSUMPTION OF OTHER MODEL FIXTURES MAY EXCEED THE MAX POWER OUTPUT ON THIS FIXTURE! CHECK SILK SCREEN FOR MAX AMPS.

Focus Beam LED

Trouble Shooting

Listed below are a few common problems the user may encounter, with solutions.

Unit not responding to DMX:

1. Check that the DMX cables are connected properly and are wired correctly (pin 3 is “hot”; on some other DMX devices pin 2 may be ‘hot’). Also, check that all cables are connected to the right connectors; it does matter which way the inputs and outputs are connected.

Focus Beam LED

Cleaning

Due to fog residue, smoke, and dust cleaning the internal and external optical lenses must be carried out periodically to optimize light output.

1. Use normal glass cleaner and a soft cloth to wipe down the outside casing.
2. Clean the external optics with glass cleaner and a soft cloth every 20 days.
3. Always be sure to dry all parts completely before plugging the unit back in.

Cleaning frequency depends on the environment in which the fixture operates (i.e. smoke, fog residue, dust, dew).

MANUFACTURER'S LIMITED WARRANTY

- A. ADJ Products, LLC hereby warrants, to the original purchaser, ADJ Products, LLC products to be free of manufacturing defects in material and workmanship for a prescribed period from the date of purchase (see specific warranty period on reverse). This warranty shall be valid only if the product is purchased within the United States of America, including possessions and territories. It is the owner's responsibility to establish the date and place of purchase by acceptable evidence, at the time service is sought.
- B. For warranty service you must obtain a Return Authorization number (RA#) before sending back the product—please contact ADJ Products, LLC Service Department at 800-322-6337. Send the product only to the ADJ Products, LLC factory. All shipping charges must be pre-paid. If the requested repairs or service (including parts replacement) are within the terms of this warranty, ADJ Products, LLC will pay return shipping charges only to a designated point within the United States. If the entire instrument is sent, it must be shipped in its original package. No accessories should be shipped with the product. If any accessories are shipped with the product, ADJ Products, LLC shall have no liability whatsoever for loss of or damage to any such accessories, nor for the safe return thereof.
- C. This warranty is void if the serial number has been altered or removed; if the product is modified in any manner which ADJ Products, LLC concludes, after inspection, affects the reliability of the product; if the product has been repaired or serviced by anyone other than the ADJ Products, LLC factory unless prior written authorization was issued to purchaser by ADJ Products, LLC; if the product is damaged because not properly maintained as set forth in the instruction manual.
- D. This is not a service contract, and this warranty does not include maintenance, cleaning or periodic check up. During the period specified above, ADJ Products, LLC will replace defective parts at its expense with new or refurbished parts, and will absorb all expenses for warranty service and repair labor by reason of defects in material or workmanship. The sole responsibility of ADJ Products, LLC under this warranty shall be limited to the repair of the product, or replacement thereof, including parts, at the sole discretion of ADJ Products, LLC. All products covered by this warranty were manufactured after August 15, 2012, and bear indentifying marks to that effect.
- E. ADJ Products, LLC reserves the right to make changes in design and/or improvements upon its products without any obligation to include these changes in any products theretofore manufactured.

No warranty, whether expressed or implied, is given or made with respect to any accessory supplied with products described above. Except to the extent prohibited by applicable law, all implied warranties made by ADJ Products, LLC in connection with this product, including warranties of merchantability or fitness, are limited in duration to the warranty period set forth above. And no warranties, whether expressed or implied, including warranties of merchantability or fitness, shall apply to this product after said period has expired. The consumer's and/or Dealer's sole remedy shall be such repair or replacement as is expressly provided above; and under no circumstances shall ADJ Products, LLC be liable for any loss or damage, direct or consequential, arising out of the use of, or inability to use, this product.

This warranty is the only written warranty applicable to ADJ Products, LLC Products and supersedes all prior warranties and written descriptions of warranty terms and conditions heretofore published.

MANUFACTURER'S LIMITED WARRANTY PERIODS:

- **Non L.E.D. Lighting Products = 1-year (365 days) Limited Warranty** (Such as: Special Effect Lighting, Intelligent Lighting, UV lighting, Strobes, Fog Machines, Bubble Machines, Mirror Balls, Par Cans, Trussing, Lighting Stands etc. excluding LED and lamps)
- **Laser Products = 1 Year (365 Days) Limited Warranty** (excluding laser diodes which have a 6 month limited warranty)
- **L.E.D. Products = 2-year (730 days) Limited Warranty** (excluding batteries which have a 180 day limited warranty).
Note: 2 Year Warranty only applies to purchases within the United States.
- **StarTec Series = 1 Year Limited Warranty** (excluding batteries which have a 180 day limited warranty).
- **ADJ DMX Controllers = 2 Year (730 Days) Limited Warranty**

Model: Focus Beam LED

Voltage:	100V ~ 240V/50~60Hz
LEDs:	1 x 80W Cool White LED
Color Temperature:	7400K
Working Position:	Any safe working position
Power Draw:	136W
Fuse:	2A
Dimensions:	10.96" (L) x 7.55" (W) x 17.61" (H) 278.61 x 191.8 x 447.3mm
Weight:	27lbs. / 12.25 kgs
Colors:	13 Colors + White
Gobos:	14 Static Gobos + Open
Prisms:	8 Facet Circular & 6 Facet Linear
DMX Channels:	2 DMX Modes: 16 / 18
Warranty:	2 Year (730 days)

Please Note: Specifications and improvements in the design of this unit and this manual are subject to change without notice.