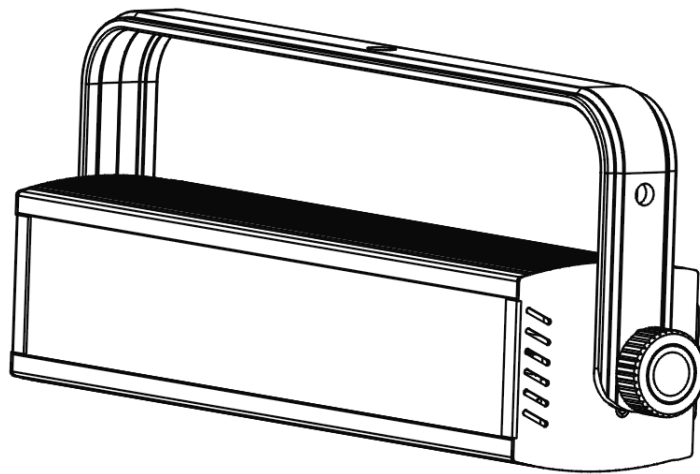


**@Lumen8**

## **Plasma IK White**



**ELUM053**

**User Manual**

**Please read the user manual before use**



## Table of Contents

1, Safety Information.....	3
2, Rear Panel.....	5
3, Preparation for Use .....	5
4, Main Functions .....	6
5, Remote Control.....	10
6, Technical Specification.....	12

# 1. Safety Information

**Warning: This product is for professional use only! It is not for household use.**

The Plasma 1K White presents risks of lethal or severe injury due to fire and heat, electric shock, ultraviolet radiation, and falls. Flashing light is also known to trigger epileptic seizures in persons who are photosensitive. Read this manual before powering or installing the fixture, follow the safety precautions listed below and observe all warnings in this manual and printed on the fixture.

**Noted: high voltage in the LED board!**

**High power strobes, so please avoid extended periods of continuous flashing**

## **To guard against electric shock**

- Do not remove the rear cover: there are no user-serviceable parts inside.
- Always ground (earth) the fixture.
- Use only a source of AC power that complies with local building and electrical codes and has both overload and ground-fault protection.
- Do not expose the fixture to rain or moisture.

## **To guard against UV radiation, burns, and fire**

- Never operate the fixture with the front glass open, missing or damaged.
- Do not stare directly into the light. Never look at an exposed LED while it is lit.
- Never attempt to bypass the fuse. Always replace defective fuses with ones of the specified type and rating.
- Verify that the power feed cable is rated for the current draw of all connected fixtures.
- Keep all combustible materials (for example fabric, wood, paper) at least 0.5 meters away from the fixture.
- Keep flammable materials well away from the fixture.
- Minimum distance to illuminated surface is 10 meters.
- Provide a minimum clearance of 30cm around fixture air vents.
- Never place filters or other materials over the front glass cover.
- The exterior of the fixture can reach high temperatures. Allow the fixture to cool for

at least 15 minutes before handling.

- Do not modify the fixture or install anything other than genuine parts.
- Do not operate if the ambient air temperature ( $T_a$ ) exceeds  $40^{\circ}\text{C}$  ( $104^{\circ}\text{F}$ ).

#### **To guard against falls**

- When suspending the fixture above ground level, verify that the structure can hold at least 10 times the weight of all installed devices.
- Verify that all external covers and rigging hardware are securely fastened and use an approved means of secondary attachment such as a safety cable.
- Block access below the work area whenever installing or removing the fixture.

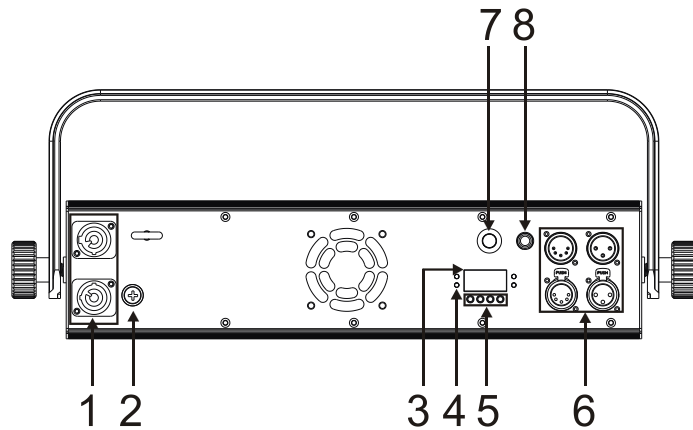
#### **To guard against epileptic seizure**

- Do not operate the fixture near stairways.
- Provide advance notice that strobe lighting is in use.
- Avoid extended periods of continuous flashing, particularly at frequencies of 10 to 20 flashes per second.

For AC 220-240V power supply, the maximum fixtures that can be connected on one power cable is 6(including the first fixture) ;

For AC 100~120V power supply, the maximum fixtures that can be connected on one power cable is 3 (including the first fixture).

## 2. Rear Panel



### 1, POWER IN/OUT:

PowerCon connection from main power supply, and connection for main power supply to the next unit.

2, **Circuit Breaker:** T6.3A

3. **LED display**

4, **LED indicator:**

Signal	Flash	Signal input present
Master	On	Master
Slave	On	Slave
Sound	Flash	Sound activation

5, **Menu /UP/DOWN/ Enter button**

6, **DMX input/output**

7, **Microphone:** Receive music signal for sound active mode

8, **CA-8 Connector:** Connect with easy controller CA-8

## 3. Preparation for Use

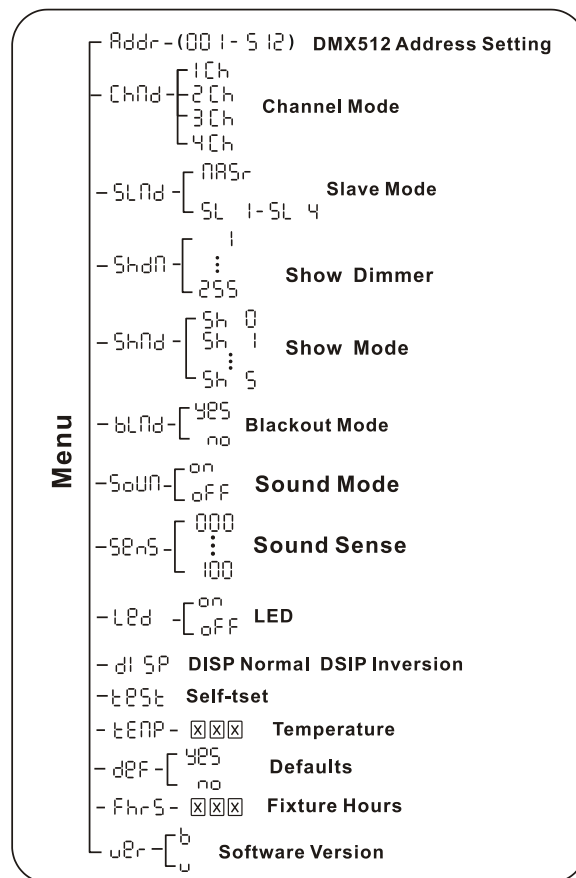
### INSTALLATION

The Plasma 1K White may be installed in any orientation. The mounting bracket provides five 12 mm holes for direct fastening or attachment of rigging clamps.

## 4. Main Function

Press MENU button to enter the function, then use the UP/DOWN or MENU buttons to select the function you want. Press the ENTER button to confirm your selection. Wait for 30 seconds to return to the main menu or hold the MENU button for 1 second.

The main menu as follows:



### **Addr** DMX 512 address setting

Select ADDR option and the display will blink, press the ENTER button to confirm your selection. You can check the current DMX address on the display. The DMX address can be changed by pressing the UP/DOWN buttons and then press the ENTER button to confirm your selection. Wait for 30 seconds to return to the main menu or hold the MENU button for 1 second.

CHNd

### Channel mode setting

Select the CHND option and press the ENTER button to confirm your selection. Change the channel mode from (1/2/3/4) channels by pressing the UP/DOWN buttons. Press the ENTER button to confirm your selection. Wait for 30 seconds to return to the main menu or hold the MENU button for 1 second.

SLNd

### Master/Slave Mode

Select the SLNd option and press the ENTER button to confirm your selection. Select the MASTER (Master) , SL 1 SL 4 (Slave) (Note: Each 4 units perform as one show group, slave will perform as master if select SL 1) by pressing the UP/DOWN buttons. Press the ENTER button to confirm your selection. Wait for 30 seconds to return to the main menu or hold the MENU button for 1 second.

ShdN

### Show Dimmer

Select the ShdN option and press the ENTER button to confirm your selection. Select the dimmer value from 1...255 by pressing the UP/DOWN buttons. Press the ENTER button to confirm your selection. Wait for 30 seconds to return to the main menu or hold the MENU button for 1 second.

ShNd

### Show Mode

Select the ShNd option and press the ENTER button to confirm your selection. Select the show from Sh 0 - Sh 5 by pressing the UP/DOWN buttons. The shows are valid when the units are set to master or under master/slave mode. Press the ENTER button to confirm your selection. Wait for 30 seconds to return to the main menu or hold the MENU



button for 1 second.

### **blNd** **Blackout Mode**

Select the **blNd** option and press the ENTER button to confirm your selection. Select **yes** (when no DMX signal is present the fixture will be in blackout) or **no** (when no DMX signal is present the fixture will run in show mode). Press the ENTER button to confirm your selection. Wait for 30 seconds to return to the main menu or hold the MENU button for 1 second.

### **Soun** **Sound Mode**

Select the **Soun** option and press the ENTER button to confirm your selection. Select the **on** / **off** by pressing the UP/DOWN buttons. Press the ENTER button to confirm your selection. Wait for 30 seconds to return to the main menu or hold the MENU button for 1 second. Sound mode will only be available once the fixture is set as a master unit.

### **SEnS** **Sound sense**

Select the **SEnS** option and press the ENTER button to confirm your selection. Select the sensitivity from 000-100 by pressing the UP/DOWN button. Press the ENTER button to confirm your selection. Wait for 30 seconds to return to the main menu or hold the MENU button for 1 second.

### **LEd** **LED display setting**

Select the LED option and press the ENTER button to confirm your selection. You can view the current ON/OFF status of the LED display now. You can change its status by pressing the UP/DOWN buttons and then press the ENTER button to confirm your selection. If you choose OFF, the LED display will blackout after 1 minute. Wait for 30 seconds to return to the main menu or

hold the MENU button for 1 second.

**di SP** LED display direction setting

Select the DISP option and press the ENTER button to confirm your selection. Select the DISP / DSIP by pressing the UP/DOWN button. Press the ENTER button to confirm your selection. Wait for 30 seconds to return to the main menu or hold the MENU button for 1 second.

**test** Test setting

Select the TEST option and press the ENTER button to confirm your selection. The flash indicator will light up and the unit will run an automatic test . Once the self-test has finished it will return to the test menu. Wait for 30 seconds to return to the main menu or hold the MENU button for 1 second.

**TEMP** Temperature

Select the TEMP option and press the ENTER buttons, the display will show the temperature of unit. Wait for 30 seconds to return to the main menu or hold the MENU button for 1 second.

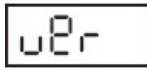
**def** Defaults

Select the DEF option and press the ENTER buttons. Select the **yes** defaults or **no** not by pressing the UP/DOWN button. Press the ENTER button to confirm your selection. Wait for 30 seconds to return to the main menu or hold the MENU button for 1 second.

**Fhrs** Fixture Hours

Select the FHRS and press the ENTER button to confirm. The display will

now show the number of working hours of the unit. To go back to the previous functions without any changes press the MENU button.



**Check the version number**

Select the UER and press the ENTER button to confirm. You can now view the current version number e.g. (b 10/v 10) and check it by using the UP/DOWN buttons. Wait for 30 seconds to return to the main menu or hold the MENU button for 1 second.

## 5. Remote Control

### 1 Channel Mode

Channel	Value	Function
1	0-5	Blackout
	6-250	Flash rate, slow to fast
	251-255	Continuous "Blinder" effect

### 2 Channel Mode

Channel	Value	Function
1	0-5	Blackout
	6-255	Flash rate, slow to fast
2 Flash intensity	0-5	Blackout
	6-255	Minimum to maximum

### 3 Channel Mode

Channel	Value	Function
---------	-------	----------

1 Flash intensity	0-5	Blackout
	6-255	Minimum to maximum
2 Flash duration	0-255	0-650 ms@50 Hz AC, or 0-530 ms@60 Hz AC
3 Flash rate	0-5	No flash  (single flash with ch. 1)
	6-255	0.5-25 Hz@50 Hz AC, or 0.6-30 Hz @60 Hz AC

#### 4 Channel Mode

Channel	Value	Function
1 Flash intensity	0-5	Blackout
	6-255	Minimum to maximum
2 Flash duration	0-255	0-650 ms@50 Hz AC, or 0-530 ms@60 Hz AC
3 Flash rate	0-5	No flash  (single flash with ch. 1)
	6-255	0.5-25 Hz@50 Hz AC, or 0.6-30 Hz @60 Hz AC
4 Special effects	0-5	No effect
	6-50	Ramp up
	51-100	Ramp down
	101-150	Ramp up-down

	151-200	Lightning
	201-255	Random

## DMX CONTROL SUMMARY

### Built-in effects

Six programmed effects are available on channel 4 in the 4-channel DMX mode only. The effects may be altered using the intensity, duration, and rate controls.

- Ramp up: Light gradually increases in intensity, and then blacks out.
- Ramp down: Light flashes to full intensity, and then gradually fades.
- Ramp up-down: Light gradually increases and decreases.
- Lightning: The flashes simulate lightning. Duration is not adjustable.
- Random flash: Light flashes randomly with variable rate and intensity. Multiple units flash independently of each other.

### Single Flash

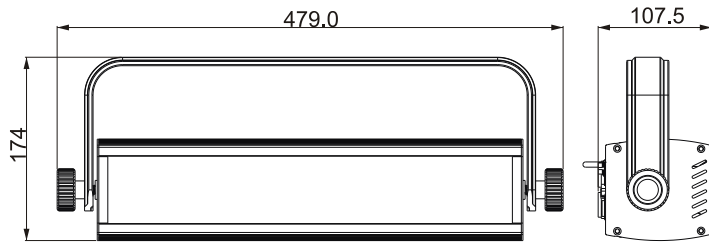
To trigger single flashes, start with the intensity and flash rate at 0 and then set the intensity on channel 1. When the value of channel 1 is changed, the light will flash once with the programmed intensity, duration, and effect.

## 6. Technical Specifications

AC power	100 - 240 V , 50/60 Hz
Total Power consumption	400W
AC mains power cable	2 m <sup>2</sup>
LED	3w/99pcs LED
Dimension	479×107.5×174mm
Weight	2.7kg
Ambient air temperature	40° C (104° F)
Short-circuit protection	T6.3A

### Safety Installation Distance

Minimum distance to combustible materials	0.5 m
Minimum distance to illuminated surfaces	10m









# **Innovation, Quality, Performance**