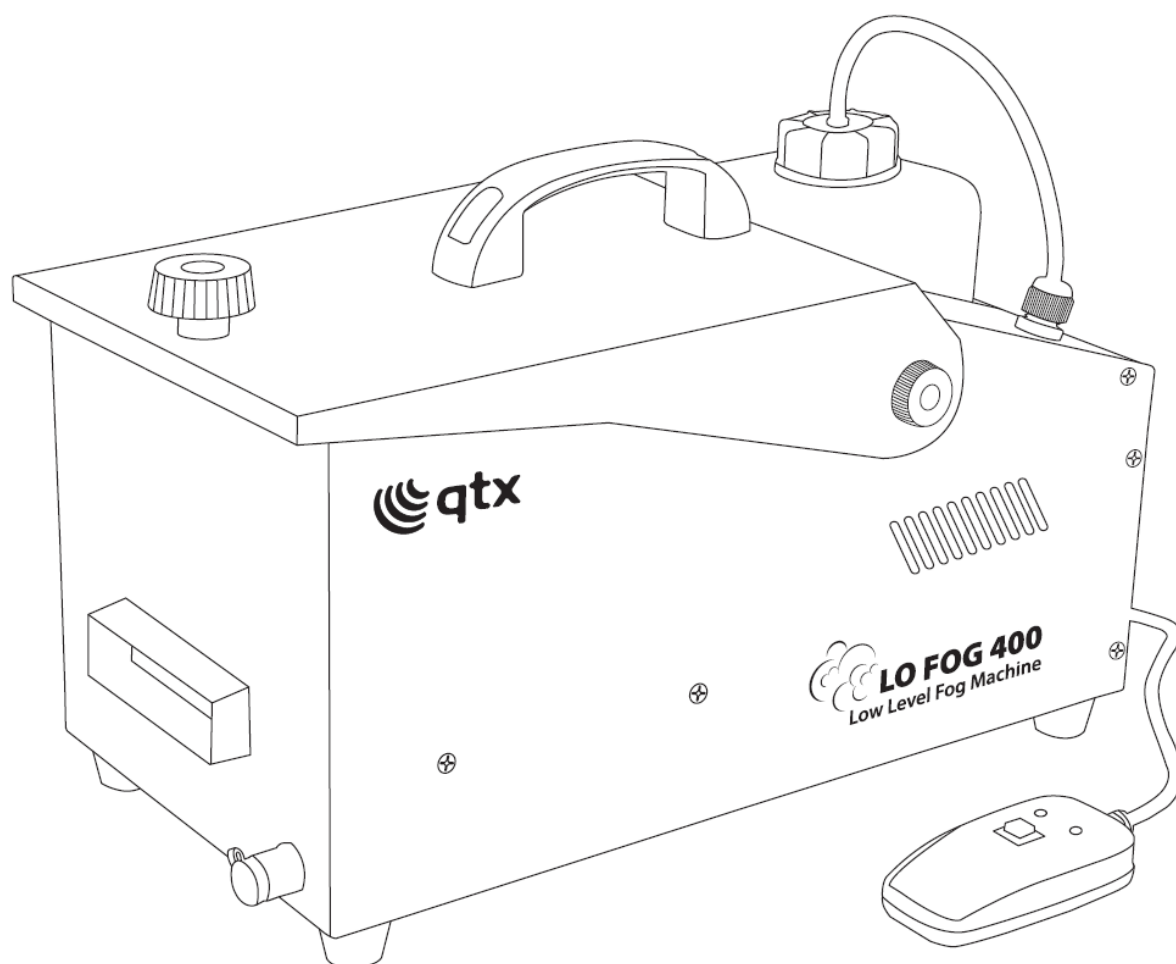


LOFOG-400

Low Level Fog Machine

Item ref: 160.444UK

User Manual



Caution: Please read this manual carefully before operating
Damage caused by misuse is not covered by the warranty

Introduction

Thank you for choosing the LOFOG-400 low level fog machine as part of your stage effects setup. This machine is designed to emulate low lying dry ice effects using cooled fog fluid. Please read and keep this manual to ensure maximum performance and avoid damage through misuse.

Unpacking

Your LOFOG-400 should reach you in good condition and should be supplied with IEC mains lead(s) and a wired handheld remote control. If there are any signs of damage or items missing from the packaging, contact your dealer immediately.

Warning

To prevent risk of fire or electric shock, do not expose electrical parts to rain or moisture. If liquids are spilled on the housing or through the vents, disconnect the mains, allow the LOFOG-400 to dry out and have it checked by qualified personnel before further use. Avoid any impact, dropping or extreme pressure to the housing. No user serviceable parts inside - do not open the case (other than to access the ice reservoir) Refer all servicing to qualified service personnel.

Placement

The LOFOG-400 has an ice reservoir and fluid tank, so should be operated in the upright position only. Choose a position where the fog output nozzle is not obstructed and is facing the general area to be filled. Ensure easy access to the rear panel, fluid tank and ice reservoir

Safety

- Check for correct mains voltage and condition of IEC lead before connecting to power outlet
- Check the condition of the remote lead and ensure that it is not trapped
- This unit must be earthed

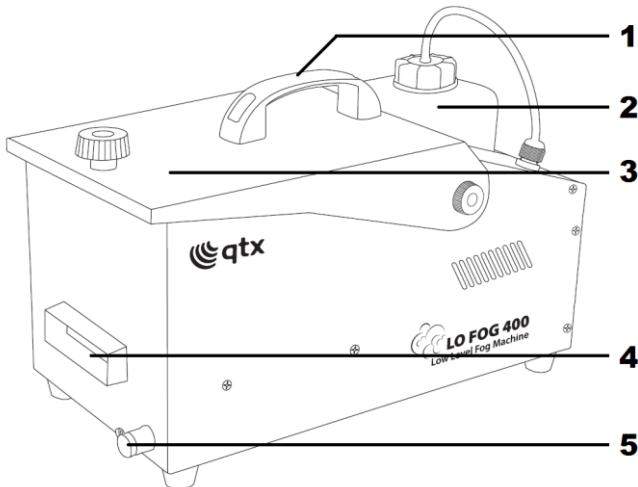
Cleaning

- Use a soft dry or slightly damp cloth to clean the casing
- Do not use strong solvents for cleaning the unit
- It is recommended to use fog machine cleaning fluid (160.670UK) periodically

Setting up

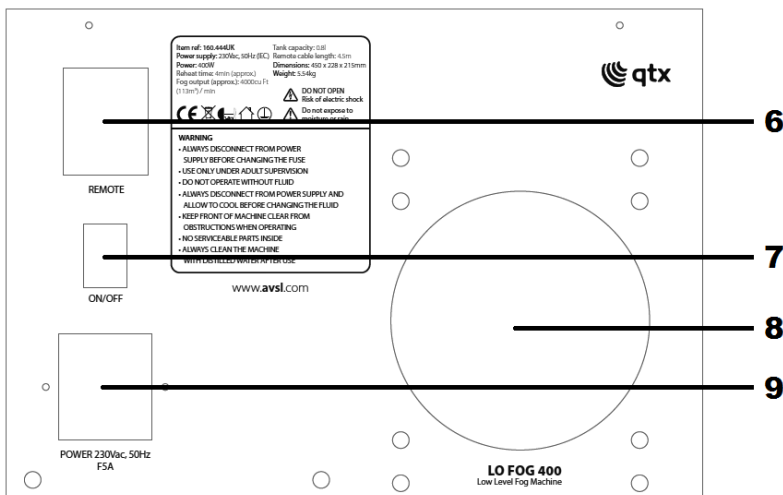
The LOFOG-400 requires fog fluid and ice (water ice) to produce the effect. It is recommended to use qtx low level fog fluid for best results (160.592UK, 160.593UK) This fluid is specially formulated to achieve a dense, low lying fog effect. A chart for recommended fog fluids is included. Unscrew the top cap of the tank and fill with the recommended smoke fluid. Screw the cap securely ensuring the pipe is fed down to the bottom of the bottle so a consistent flow of fluid is supplied to the machine. Unscrew the safety screw on top panel to open and fill the reservoir with no more than 2kg of ice. Close the top panel and secure the safety screw. Connect the remote control via the REMOTE connector on the rear panel. Connect the IEC mains plug, ensuring correct supply voltage.

Layout



1. Carry Handle
2. Fluid bottle
3. Top panel opening for ice reservoir
4. Fog output nozzle
5. Fluid drain plug

Rear panel



6. Remote control connection
7. Power ON/OFF switch
8. Rear fan vent
9. IEC mains inlet and fuse holder

Operation

Switch on the power switch on the rear panel.

Heat up time is usually around 3 minutes. Please do not press the remote button during the heat up time.

When the machine is ready the light on the remote control will illuminate

Press the remote button for 5 seconds so the fluid has a chance to flow through the heater block making it ready to use.

After this you will be able to use the machine. It is recommended to produce smoke with small pauses in between so that the temperature is maintained and the thermostat doesn't switch off.

After use, drain the melted ice using the fluid drain tap on the rear panel.

Replacing the fuse

Disconnect from the main power supply first, then remove the fuse holder part of the IEC socket to reveal the fuse. Replace the correct fuse rating as stated on the panel. Lock the fuse holder cover back into place.

General maintenance

To maintain optimum performance and minimize wear, the item should be cleaned frequently. Usage and environment are contributing factors in determining frequency. As a rule, fixtures should be cleaned after each use to avoid dust build-up and blockages, which can result in poor performances, overheating and breakages. Be sure to disconnect the mains before conducting maintenance.

Clean the external case when the fixture is cold with a dry cloth or tissue.

It is recommended to use fog machine cleaning fluid (160.670UK) periodically.

Specifications

Power supply	230Vac, 50Hz (IEC)
Power	400W
Reheat time	3 minutes (approx.)
Fog output (approx.)	15-25m ³ (530-880 Cu.Ft) per minute
Tank capacity	0.8 Litre
Ice reservoir	2.0 - 2.5kg
Remote cable length	2.5m
Dimensions	450 x 228 x 215mm
Weight	5.54kg



Disposal: The "Crossed Wheellie Bin" symbol on the product means that the product is classed as Electrical or Electronic equipment and should not be disposed with other household or commercial waste at the end of its useful life. The goods must be disposed of according to your local council guidelines

*Errors and omissions excepted.
Copyright© 2017. AVSL Group Ltd.*