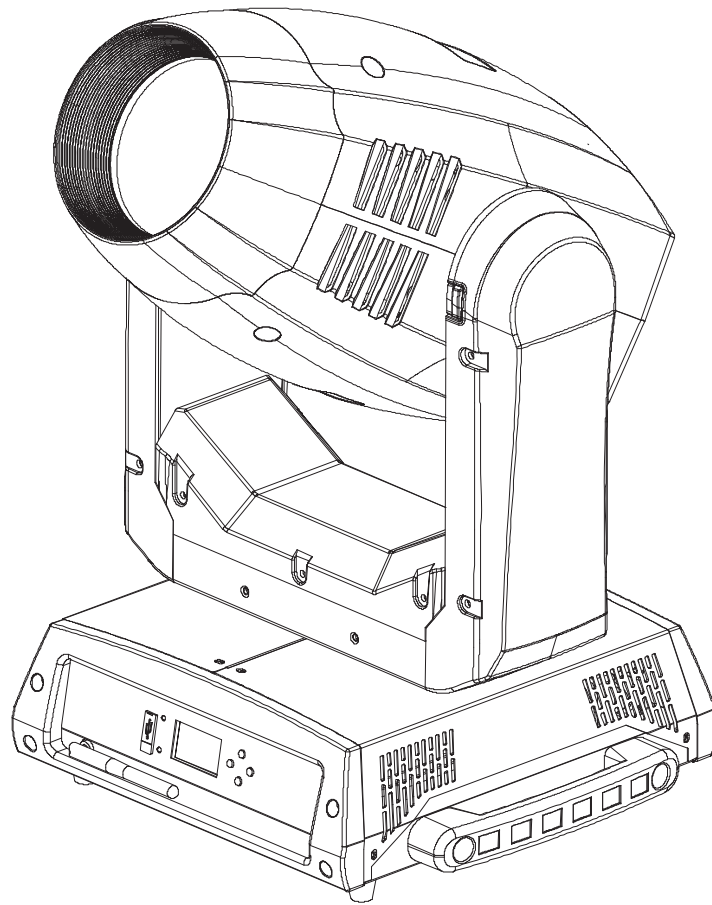




VIZI CMY300



User Instructions

©2018 ADJ Products, LLC all rights reserved. Information, specifications, diagrams, images, and instructions herein are subject to change without notice. ADJ Products, LLC logo and identifying product names and numbers herein are trademarks of ADJ Products, LLC. Copyright protection claimed includes all forms and matters of copyrightable materials and information now allowed by statutory or judicial law or hereinafter granted. Product names used in this document may be trademarks or registered trademarks of their respective companies and are hereby acknowledged. All non-ADJ Products, LLC brands and product names are trademarks or registered trademarks of their respective companies.

ADJ Products, LLC and all affiliated companies hereby disclaim any and all liabilities for property, equipment, building, and electrical damages, injuries to any persons, and direct or indirect economic loss associated with the use or reliance of any information contained within this document, and/or as a result of the improper, unsafe, insufficient and negligent assembly, installation, rigging, and operation of this product.

DOCUMENT VERSION

Please check www.adj.com for the latest revision/update of this guide.

Date	Document Version	Software Version \geq	DMX Channel Mode	Notes
12/06/17	1	1.00	24/26/38	Initial Release
01/25/18	2	1.1	NO CHANGE	System Menu Updated Offset Menu Updated Error Codes Added

Europe Energy Saving Notice

Energy Saving Matters (EuP 2009/125/EC)

Saving electric energy is a key to help protecting the environment. Please turn off all electrical products when they are not in use. To avoid power consumption in idle mode, disconnect all electrical equipment from power when not in use. Thank you!

Introduction	3
Features / Warranty Registration / Installation	4
Safety Precautions	5
Mounting	7
DMX Set Up	9
DMX Addressing	11
Control Panel & Connections	12
DMX Channel Modes	13
System Menu	29
Operating Instructions	30
Offset Menu	36
Error Codes	39
Gobo Specifications	40
Gobos	41
Gobo Replacement	42
Dimmer Curve Chart	42
Dimensional Drawings	43
Multiple Unit Power Linking	44
Fuse Replacement	44
Warranty	45
Technical Specifications	46

Unpacking: Thank you for purchasing the Vizi CMY300 by ADJ Products, LLC. Every Vizi CMY300 has been thoroughly tested and has been shipped in perfect operating condition. Carefully check the shipping carton for damage that may have occurred during shipping. If the carton appears to be damaged, carefully inspect your fixture for any damage and be sure all accessories necessary to operate the unit has arrived intact. In the case damage has been found or parts are missing, please contact our toll free customer support number for further instructions. Do not return this unit to your dealer without first contacting customer support.

Introduction: The ADJ Vizi CMY300 is a DMX intelligent, high powered, CMY LED moving head fixture. To optimize the performance of this product, please read these operating instructions carefully to familiarize yourself with the basic operations of this unit. These instructions contain important safety information regarding the use and maintenance of this unit. Please keep this manual with the unit, for future reference.

Customer Support: ADJ provides a customer support line, to provide set up help and to answer any question should you encounter problems during your set up or initial operation. You may also visit us on the web at www.adj.com for any comments or suggestions. Service Hours are Monday through Friday 8:00 a.m. to 4:30 p.m. Pacific Standard Time.

Voice: (323) 582-2650
Fax: (323) 582-2941
E-mail: support@AmericanDJ.com

Warning! To prevent or reduce the risk of electrical shock or fire, do not expose this unit to rain or moisture.

Caution! There are no user serviceable parts inside this unit. Do not attempt any repairs yourself, doing so will void your manufactures warranty. In the unlikely event your unit may require service please contact ADJ Products, LLC.

PLEASE recycle the shipping carton when ever possible.

Vizi CMY300

Features

- Electronic Dimming 0-100%
- DMX-512 protocol
- 3-Pin and 5-Pin DMX Connection
- powerCON Input & Output
- Colors: 9 + Open (Including CTO 3200K & UV)
- GOBO Wheel 1: 7 Rotating/Replaceable + Open
GOBO Wheel 2: 9 Fixed + Open
- Prism 1: Rotating 3-facet Circular
- Prism 2: Rotating 6-facet Linear
- Linear Frost Effect
- Motorized Focus
- Motorized Zoom
- Three DMX Modes: 24 Channel Mode, 26 Channel Mode, and 38 Channel Mode.
- Multiple Unit Power Linking (See page 44)

Vizi CMY300

Warranty Registration

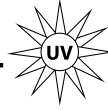
The Vizi CMY300 carries a 2 year limited warranty. Please fill out the enclosed warranty card to validate your purchase. All returned service items whether under warranty or not, must be freight pre-paid and accompany a return authorization (R.A.) number. The R.A. number must be clearly written on the outside of the return package. A brief description of the problem as well as the R.A. number must also be written down on a piece of paper included in the shipping carton. If the unit is under warranty, you must provide a copy of your proof of purchase invoice. You may obtain a R.A. number by contacting our customer support team on our customer support number. All packages returned to the service department not displaying a R.A. number on the outside of the package will be returned to the shipper.

Vizi CMY300

Installation

The unit should be mounted using a mounting clamp (not provided), affixing it to the mounting bracket that is provided with the unit. Always ensure that the unit is firmly fixed to avoid vibration and slipping while operating. Always ensure that the structure to which you are attaching the unit is secure and is able to support a weight of 10 times the unit's weight. Also, always use a safety cable that can hold 12 times the weight of the unit when installing the fixture. The equipment must be installed by a professional, and it must be installed in a place where it is out of the reach of people's grasp.

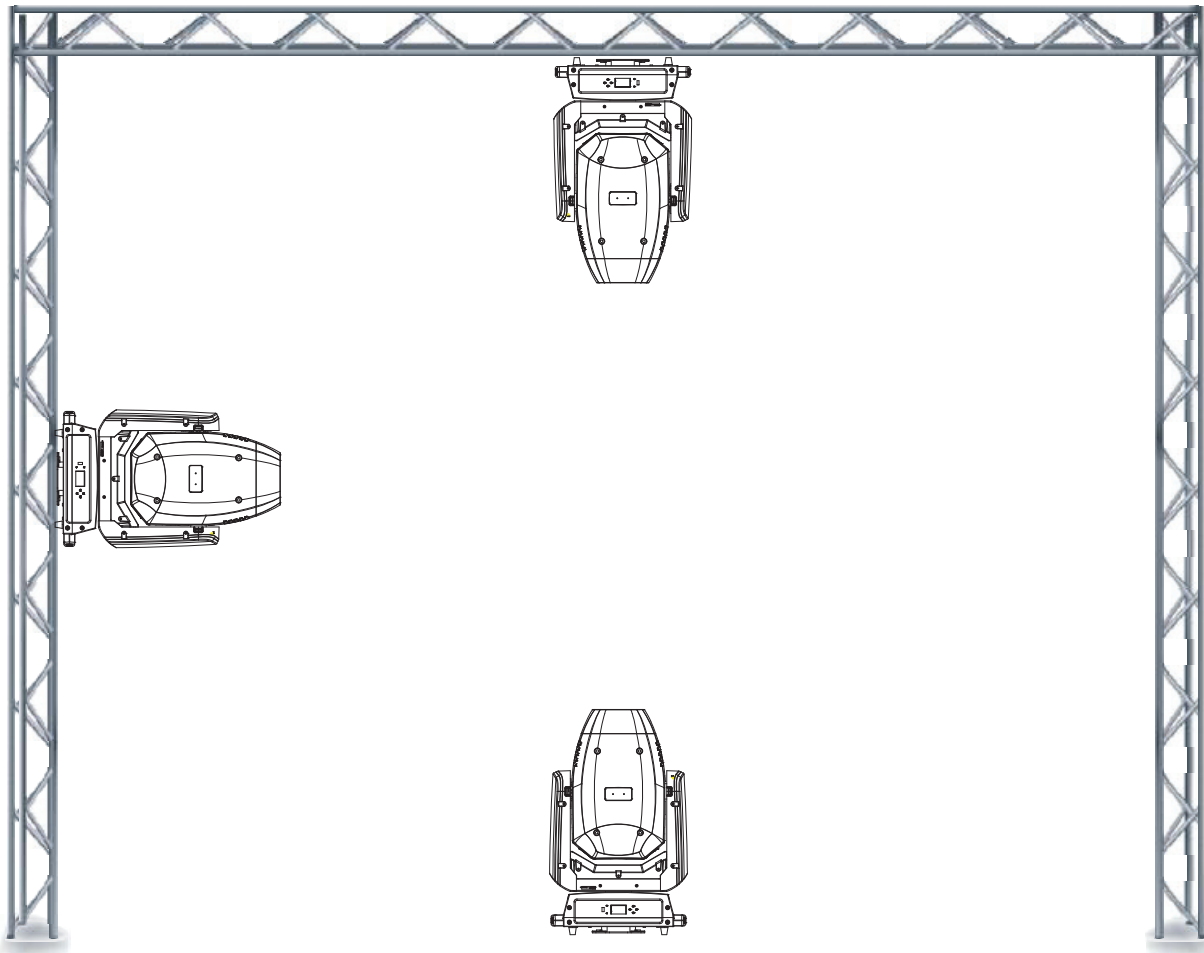
- To reduce the risk of electrical shock or fire, do not expose this unit rain or moisture
- Do not spill water or other liquids into or on to your unit.
- Do not attempt to operate this unit if the power cord has been frayed or broken. Do not attempt to remove or break off the ground prong from the electrical cord. This prong is used to reduce the risk of electrical shock and fire in case of an internal short.
- Disconnect from main power before making any type of connection.
- Do not remove the cover under any conditions. There are no user serviceable parts inside.
- Never operate this unit when it's cover is removed.
- Never plug this unit in to a dimmer pack
- Always be sure to mount this unit in an area that will allow proper ventilation. Allow about 6" (15cm) between this device and a wall.
- Do not attempt to operate this unit, if it becomes damaged.
- This unit is intended for indoor use only, use of this product outdoors voids all warranties.
- During long periods of non-use, disconnect the unit's main power.
- Always mount this unit in safe and stable matter.
- Power-supply cords should be routed so that they are not likely to be walked on or pinched by items placed upon or against them, paying particular attention to the point they exit from the unit.
- Cleaning -The fixture should be cleaned only as recommended by the manufacturer. See page 44 for cleaning details.
- Heat -The appliance should be situated away from heat sources such as radiators, heat registers, stoves, or other appliances (including amplifiers) that produce heat.
- The fixture should be serviced by qualified service personnel when:
 - A. The power-supply cord or the plug has been damaged.
 - B. Objects have fallen, or liquid has been spilled into the fixture.
 - C. The fixture has been exposed to rain or water.
 - D. The fixture does not appear to operate normally or exhibits a marked change in performance.
 - E. The fixture has fallen and/or subjected to extreme handling.

! CAUTION**HIGH
INTENSITY
ULTRAVIOLET
LIGHT****AVOID DIRECT EYE & SKIN EXPOSURE.
WEAR PROPER EYE & SKIN PROTECTION.
SEE MANUAL FOR SAFETY INSTRUCTIONS.****RISK GROUP 3 - RISK OF EXPOSURE TO ULTRAVIOLET (UV) RADIATION!****FIXTURE EMITS HIGH INTENSITY ULTRAVIOLET (UV) LIGHT
AT A WAVELENGTH OF 399NM - 435NM.****WEAR PROPER EYE AND SKIN PROTECTION.****AVOID PROLONGED PERIODS OF EXPOSURE.****AVOID WEARING WHITE COLOR CLOTHING AND/OR
USING (UV) PAINTS ON SKIN.****AVOID DIRECT EYE AND/OR SKIN EXPOSURE AT DISTANCES SHORTER THAN 11 feet (3.3m).****DO NOT OPERATE FIXTURE WITH DAMAGED OR MISSING EXTERNAL COVER PROTECTIVE
LENS.****DO NOT LOOK DIRECTLY INTO THE (UV) LIGHT AND/OR VIEW (UV) LIGHT DIRECTLY WITH
OPTICAL INSTRUMENTS THAT MAY CONCENTRATE THE LIGHT/RADIATION OUTPUT.****INDIVIDUALS SUFFERING FROM A RANGE OF EYE CONDITIONS, SUNLIGHT EXPOSURE
DISORDERS, OR INDIVIDUALS USING PHOTSENSITIVE MEDICATION, MAY RECEIVE
DISCOMFORT IF EXPOSED TO THE ULTRAVIOLET (UV) LIGHT EMITTED FROM THIS FIXTURE.**

When installing the unit, the trussing or area of installation must be able to hold 10 times the weight without any deformation. When installing the unit must be secured with a secondary safety attachment, e.g. and appropriate safety cable. Never stand directly below the unit when mounting, removing, or servicing the unit.

Overhead mounting requires extensive experience, including calculating working load limits, installation material being used, and periodic safety inspection of all installation material and unit. If you lack these qualifications, do not attempt the installation yourself.

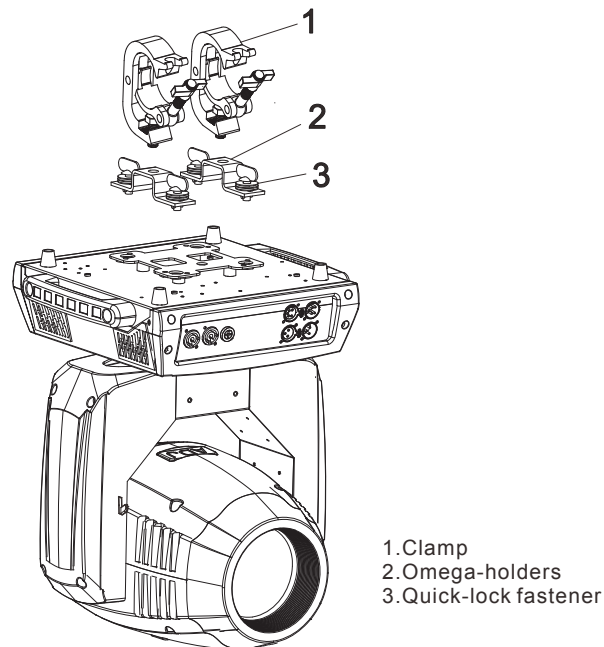
These installation should be checked by a skilled person once a year.



The Vizi CMY300 is fully operational in three different mounting positions, hanging upside-down from a ceiling, sideways on trussing, or set on a flat level surface. Be sure this fixture is kept at least 12m (40ft) away from any flammable materials (decoration etc.). Always use and install the supplied safety cable as a safety measure to prevent accidental damage and/or injury in the event the clamp fails (see next page). Never use the carrying handles for secondary attachment.

NOTICE: The suitable environmental temperature for this lighting fixture is between -25°C to 45°C . Do not place this lighting fixture in an environment where the temperatures are under or above the temperatures stated above. This will allow the fixture to run at its best and help prolong the fixture life.

1. Bolt each clamp to the Omega holder with screw and lock nut through the hole in the holder.
2. Fasten the omega holders on the bottom of the base by inserting quick-lock fasteners into the holes of the base and tighten fully clockwise.
3. Hang the fixture to the support using the clamps and tighten the screws. Fasten a safety cable through the bottom of the base and over the support.



Screw one clamp each via a M12 screw and nut into the Omega holders. Insert the quick-lock fasteners of the Omega holder's into the respective holes on the bottom of the Vizi CMY300. Tighten the quick-lock fasteners fully clockwise. Install the second Omega holder. Pull the safety-cable through the openings located on the base plate and over the trussing system or a safe fixation spot. Insert the end in the carabine and tighten the safety screw.

Power Supply: The ADJ Vizi CMY300 contains a automatic voltage switch, which will auto sense the voltage when it is plugged into the power source. With this switch there is no need to worry about the correct power voltage, this unit can be plugged in anywhere.

DMX-512: DMX is short for Digital Multiplex. This is a universal protocol used as a form of communication between intelligent fixtures and controllers. A DMX controller sends DMX data instructions from the controller to the fixture. DMX data is sent as serial data that travels from fixture to fixture via the DATA “IN” and DATA “OUT” XLR terminals located on all DMX fixtures (most controllers only have a DATA “OUT” terminal).

DMX Linking: DMX is a language allowing all makes and models of different manufactures to be linked together and operate from a single controller, as long as all fixtures and the controller are DMX compliant. To ensure proper DMX data transmission, when using several DMX fixtures try to use the shortest cable path possible. The order in which fixtures are connected in a DMX line does not influence the DMX addressing. For example; a fixture assigned a DMX address of 1 may be placed anywhere in a DMX line, at the beginning, at the end, or anywhere in the middle. When a fixture is assigned a DMX address of 1, the DMX controller knows to send DATA assigned to address 1 to that unit, no matter where it is located in the DMX chain.

Data Cable (DMX Cable) Requirements (For DMX Operation): The Vizi CMY300 can be controlled via DMX-512 protocol. The Vizi CMY300 has 3 DMX channel modes. Your unit and your DMX controller require a standard 3-pin XLR connector for data input and data output (Figure 1). We recommend Accu-Cable DMX cables. If you are making your own cables, be sure to use standard 110-120 Ohm shielded cable (This cable may be purchased at almost all pro lighting stores). Your cables should be made with a male and female XLR connector on either end of the cable. Also remember that DMX cable must be daisy chained and cannot be split.



Figure 1

Notice: Be sure to follow figures two and three when making your own cables. Do not use the ground lug on the XLR connector. Do not connect the cable’s shield conductor to the ground lug or allow the shield conductor to come in contact with the XLR’s outer casing. Grounding the shield could cause a short circuit and erratic behavior.

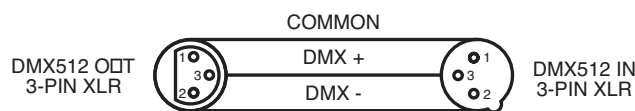


Figure 2

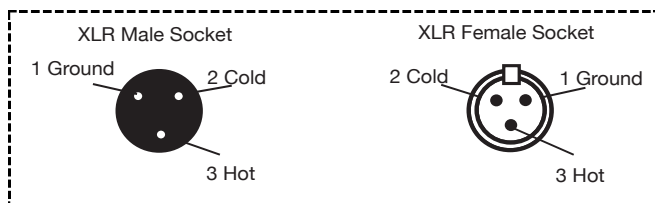
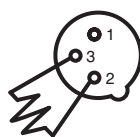


Figure 3

XLR Pin Configuration
Pin 1 = Ground
Pin 2 = Data Compliment (negative)
Pin 3 = Data True (positive)

Special Note: Line Termination. When longer runs of cable are used, you may need to use a terminator on the last unit to avoid erratic behavior. A terminator is a 110-120 ohm 1/4 watt resistor which is connected between pins 2 and 3 of a male XLR connector (DATA + and DATA -). This unit is inserted in the female XLR connector of the last unit in your daisy chain to terminate the line. Using a cable terminator (ADJ part number Z-DMX/T) will decrease the possibilities of erratic behavior.



Termination reduces signal errors and avoids signal transmission problems and interference. It is always advisable to connect a DMX terminal, (Resistance 120 Ohm 1/4 W) between PIN 2 (DMX-) and PIN 3 (DMX +) of the last fixture.

Figure 4

5-Pin XLR DMX Connectors. Some manufactures use 5-pin DMX-512 data cables for DATA transmission in place of 3-pin. 5-pin DMX fixtures may be implemented in a 3-pin DMX line. When inserting standard 5-pin data cables in to a 3-pin line a cable adaptor must be used, these adaptors are readily available at most electric stores. The chart below details a proper cable conversion.

3-Pin XLR to 5-Pin XLR Conversion		
Conductor	3-Pin XLR Female (Out)	5-Pin XLR Male (In)
Ground/Shield	Pin 1	Pin 1
Data Compliment (- signal)	Pin 2	Pin 2
Data True (+ signal)	Pin 3	Pin 3
Not Used		Do Not Use
Not Used		Do Not Use

DMX ADDRESSING

All fixtures should be given a DMX starting address when using a DMX controller, so the correct fixture responds to the correct control signal. This digital starting address is the channel number from which the fixture starts to “listen” to the digital control signal sent out from the DMX controller. The assignment of this starting DMX address is achieved by setting the correct DMX address on the digital control display on the fixture.

You can set the same starting address for all fixtures or a group of fixtures, or set different addresses for each individual fixture. Setting all fixtures to the same DMX address will cause all fixtures to react in the same way, in other words, changing the settings of one channel will affect all the fixtures simultaneously.

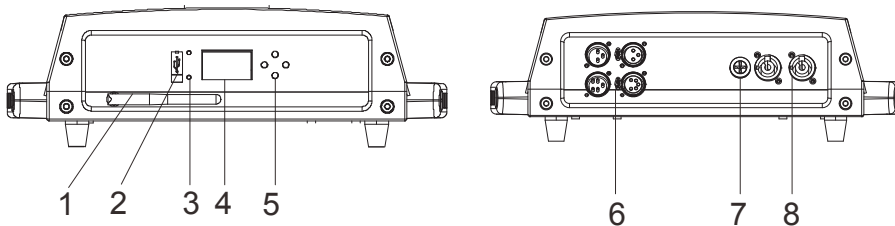
If you set each fixture to a different DMX address, each unit will start to “listen” to the channel number you have set, based on the quantity of DMX channels of each fixture. That means changing the settings of one channel will only affect the selected fixture.

In the case of the Vizi CMY300, when in 24 Channel you should set the starting DMX address of the first unit to 1, the second unit to 25 ($24 + 1$), the third unit to 49 ($25 + 24$), and so on. (See chart below for more details.)

Channelmode	Unit 1 Address	Unit 2 Address	Unit 3 Address	Unit 4 Address
24 channels	1	25	49	73
26 channels	1	27	53	79
38 channels	1	39	77	115

Front view

Rear view



- 1. WiFly Antenna
- 2. Service Port: USB Slot is used to upgrade the unit firmware.

3. LED:

POWER	On	Power On
DMX	On	DMX input present

- 4. Display: To show the various menus and the selected function.

5. Button:

MENU	To enter into the menu or leave the menu
UP	To move up in the menu
DOWN	To move down in the menu
ENTER	To perform the desired functions

- 6. DMX input/output: For DMX 512 operation, use 3/5-pin XLR plug cable to link the units together

- 7. Fuse (T10A): Protect the unit from damage of over current.

- 8. Power Cable: To connect to the main power supply or next fixture.

Channel	Value	Function
1	0 - 255	PAN MOVEMENT BY 540°
2	0 - 255	TILT MOVEMENT BY 270°
3	0 - 6 7 - 12 13 - 18 19 - 25 26 - 31 32 - 37 38 - 44 45 - 50 51 - 56 57 - 63 64 - 127 128 - 190 191 - 192 193 - 255	COLOR WHEEL OPEN RED LIGHT GREEN PINK ORANGE CTB CTO UV GREEN LIGHT BLUE COLOR INDEXING CLOCKWISE SCROLL FAST - SLOW STOP COUNTER-CLOCKWISE SCROLL SLOW - FAST
4	0 - 255	CYAN 0% - 100%
5	0 - 255	MAGENTA 0% - 100%
6	0 - 255	YELLOW 0% - 100%
7	0 - 7 8 - 15 16 - 23 24 - 31 32 - 39 40 - 47 48 - 55 56 - 63 64 - 72 73 - 81 82 - 90 91 - 99 100 - 108 109 - 117 118 - 127 128 - 190 191 - 192 193 - 255	ROTATING GOBOS (GOBO WHEEL 1) OPEN ROTATING GOBO 1 ROTATING GOBO 2 ROTATING GOBO 3 ROTATING GOBO 4 ROTATING GOBO 5 ROTATING GOBO 6 ROTATING GOBO 7 ROTATING GOBO 1 SHAKE ROTATING GOBO 2 SHAKE ROTATING GOBO 3 SHAKE ROTATING GOBO 4 SHAKE ROTATING GOBO 5 SHAKE ROTATING GOBO 6 SHAKE ROTATING GOBO 7 SHAKE CLOCKWISE SCROLL FAST - SLOW STOP COUNTER-CLOCKWISE SCROLL SLOW - FAST

Channel	Value	Function
8	0 - 127 128 - 189 190 - 192 193 - 255	ROTATING GOBO INDEXING & GOBO ROTATION GOBO INDEXING 0 - 360 CLOCKWISE ROTATION FAST - SLOW STOP COUNTER-CLOCKWISE ROTATION SLOW - FAST
9	0 - 6 7 - 12 13 - 18 19 - 25 26 - 31 32 - 37 38 - 44 45 - 50 51 - 56 57 - 63 64 - 70 71 - 77 78 - 84 85 - 91 92 - 98 99 - 105 106 - 112 113 - 119 120 - 127 128 - 190 191 - 192 193 - 255	FIXED GOBOS (GOBO WHEEL 2) OPEN GOBO 1 GOBO 2 GOBO 3 GOBO 4 GOBO 5 GOBO 6 GOBO 7 GOBO 8 GOBO 9 GOBO 1 SHAKE SLOW - FAST GOBO 2 SHAKE SLOW - FAST GOBO 3 SHAKE SLOW - FAST GOBO 4 SHAKE SLOW - FAST GOBO 5 SHAKE SLOW - FAST GOBO 6 SHAKE SLOW - FAST GOBO 7 SHAKE SLOW - FAST GOBO 8 SHAKE SLOW - FAST GOBO 9 SHAKE SLOW - FAST CLOCKWISE WHEEL ROTATION FAST - SLOW STOP COUNTER-CLOCKWISE WHEEL ROTATION SLOW - FAST
10	0 - 10 11 - 127 128 - 255	PRISM 1 (LINEAR) NO EFFECT ON MACRO 1 - 32
11	0 - 127 128 - 190 191 - 192 193 - 255	PRISM 1 ROTATION PRISM INDEXING CLOCKWISE ROTATION FAST - SLOW NO ROTATION COUNTER-CLOCKWISE ROTATION SLOW - FAST
12	0 - 127 128 - 255	PRISM 2 (3 FACET) NO EFFECT ON
13	0 - 127 128 - 190 191 - 192 193 - 255	PRISM 2 ROTATION PRISM INDEXING CLOCKWISE ROTATION FAST - SLOW NO ROTATION COUNTER-CLOCKWISE ROTATION SLOW - FAST

Channel	Value	Function
14	0 - 255	FOCUS CONTINUOUS ADJUSTMENT FROM NEAR - FAR
15	0 - 255	ZOOM ZOOM ADJUSTMENT FROM SMALL - BIG
16	0 - 31 32 - 63 64 - 95 96 - 127 128 - 159 160 - 191 192 - 223 224 - 255	SHUTTER & STROBE SHUTTER CLOSED SHUTTER OPEN STROBE EFFECT SLOW - FAST SHUTTER OPEN PULSE EFFECT SHUTTER OPEN RANDOM STROBE EFFECT SLOW - FAST SHUTTER OPEN
17	0 - 255	MASTER DIMMER 0% - 100%
18	0 - 191 192 - 223 224 - 255	IRIS MAXIMUM DIAMETER TO MINIMUM DIAMETER PULSE CLOSING FAST - SLOW PULSE OPENING SLOW - FAST
19	0 - 255	FROST 0% - 100%
20	0 - 255	CMY SPEED & COLOR MACRO SPEED FAST - SLOW
21		PAN/TILT MOVEMENT SPEED FAST - SLOW

Channel	Value	Function
22		COLOR MACRO
	0 - 7	OFF
	8 - 15	MACRO 1
	16 - 23	MACRO 2
	24 - 31	MACRO 3
	32 - 39	MACRO 4
	40 - 47	MACRO 5
	48 - 55	MACRO 6
	56 - 63	MACRO 7
	64 - 71	MACRO 8
	72 - 79	MACRO 9
	80 - 87	MACRO 10
	88 - 95	MACRO 11
	96 - 103	MACRO 12
	104 - 111	MACRO 13
	112 - 119	MACRO 14
	120 - 127	MACRO 15
	128 - 135	MACRO 16
	136 - 143	MACRO 17
	144 - 151	MACRO 18
	152 - 159	MACRO 19
	160 - 167	MACRO 20
	168 - 175	MACRO 21
	176 - 183	MACRO 22
	184 - 191	MACRO 23
	192 - 199	MACRO 24
	200 - 207	MACRO 25
	208 - 215	MACRO 26
	216 - 223	MACRO 27
	224 - 231	MACRO 28
232 - 239	MACRO 29	
240 - 247	MACRO 30	
248 - 255	RANDOM CMY	
23		DIMMER MODES
	0 - 20	STANDARD
	21 - 40	STAGE
	41 - 60	TV
	61 - 80	ARCHITECTURAL
	81 - 100	THEATER
	101 - 255	DEFAULT TO UNIT SETTING

Channel	Value	Function
24	0 - 69	SPECIAL FUNCTIONS
	70 - 79	NOTHING
	80 - 89	ENABLE BLACKOUT WITH PAN/TILT MOVEMENT
	90 - 99	DISABLE BLACKOUT WITH PAN/TILT MOVEMENT
	100 - 109	ENABLE BLACKOUT WITH COLOR WHEEL MOVEMENT
	110 - 119	DISABLE BLACKOUT WITH COLOR WHEEL MOVEMENT
	120 - 129	ENABLE BLACKOUT WITH GOBO WHEEL MOVEMENT
	130 - 139	DISABLE BLACKOUT WITH GOBO WHEEL MOVEMENT
	140 - 149	FOCUS COMPENSATE DISABLE
	150 - 159	FOCUS COMPENSATE NEAR
	160 - 169	FOCUS COMPENSATE MEDIUM
	170 - 199	FOCUS COMPENSATE FAR
	200 - 209	NOTHING
	210 - 219	RESET ALL
	220 - 229	RESET EFFECT
	230 - 255	RESET PAN/TILT MOTORS
	NOTHING	

Channel	Value	Function
1	0 - 255	PAN MOVEMENT BY 540°
2		PAN MOVEMENT FINE (16BIT)
3	0 - 255	TILT MOVEMENT BY 270°
4	0 - 255	TILT MOVEMENT FINE (16BIT)
5	0 - 6 7 - 12 13 - 18 19 - 25 26 - 31 32 - 37 38 - 44 45 - 50 51 - 56 57 - 63 64 - 127 128 - 190 191 - 192 193 - 255	COLOR WHEEL OPEN RED LIGHT GREEN PINK ORANGE CTB CTO UV GREEN LIGHT BLUE COLOR INDEXING CLOCKWISE SCROLL FAST - SLOW STOP COUNTER-CLOCKWISE SCROLL SLOW - FAST
6	0 - 255	CYAN 0% - 100%
7	0 - 255	MAGENTA 0% - 100%
8	0 - 255	YELLOW 0% - 100%
9	0 - 7 8 - 15 16 - 23 24 - 31 32 - 39 40 - 47 48 - 55 56 - 63 64 - 72 73 - 81 82 - 90 91 - 99 100 - 108 109 - 117 118 - 127 128 - 190 191 - 192 193 - 255	ROTATING GOBOS (GOBO WHEEL 1) OPEN ROTATING GOBO 1 ROTATING GOBO 2 ROTATING GOBO 3 ROTATING GOBO 4 ROTATING GOBO 5 ROTATING GOBO 6 ROTATING GOBO 7 ROTATING GOBO 1 SHAKE ROTATING GOBO 2 SHAKE ROTATING GOBO 3 SHAKE ROTATING GOBO 4 SHAKE ROTATING GOBO 5 SHAKE ROTATING GOBO 6 SHAKE ROTATING GOBO 7 SHAKE CLOCKWISE SCROLL FAST - SLOW STOP COUNTER-CLOCKWISE SCROLL SLOW - FAST

Channel	Value	Function
10	0 - 127 128 - 189 190 - 192 193 - 255	ROTATING GOBO INDEXING & GOBO ROTATION GOBO INDEXING 0 - 360 CLOCKWISE ROTATION FAST - SLOW STOP COUNTER-CLOCKWISE ROTATION SLOW - FAST
11	0 - 6 7 - 12 13 - 18 19 - 25 26 - 31 32 - 37 38 - 44 45 - 50 51 - 56 57 - 63 64 - 70 71 - 77 78 - 84 85 - 91 92 - 98 99 - 105 106 - 112 113 - 119 120 - 127 128 - 190 191 - 192 193 - 255	FIXED GOBOS (GOBO WHEEL 2) OPEN GOBO 1 GOBO 2 GOBO 3 GOBO 4 GOBO 5 GOBO 6 GOBO 7 GOBO 8 GOBO 9 GOBO 1 SHAKE SLOW - FAST GOBO 2 SHAKE SLOW - FAST GOBO 3 SHAKE SLOW - FAST GOBO 4 SHAKE SLOW - FAST GOBO 5 SHAKE SLOW - FAST GOBO 6 SHAKE SLOW - FAST GOBO 7 SHAKE SLOW - FAST GOBO 8 SHAKE SLOW - FAST GOBO 9 SHAKE SLOW - FAST CLOCKWISE WHEEL ROTATION FAST - SLOW STOP COUNTER-CLOCKWISE WHEEL ROTATION SLOW - FAST
12	0 - 10 11 - 127 128 - 255	PRISM 1 (LINEAR) NO EFFECT ON MACRO 1 - 32
13	0 - 127 128 - 190 191 - 192 193 - 255	PRISM 1 ROTATION PRISM INDEXING CLOCKWISE ROTATION FAST - SLOW NO ROTATION COUNTER-CLOCKWISE ROTATION SLOW - FAST
14	0 - 127 128 - 255	PRISM 2 (3 FACET) NO EFFECT ON
15	0 - 127 128 - 190 191 - 192 193 - 255	PRISM 2 ROTATION PRISM INDEXING CLOCKWISE ROTATION FAST - SLOW NO ROTATION COUNTER-CLOCKWISE ROTATION SLOW - FAST

Channel	Value	Function
16	0 - 255	FOCUS CONTINUOUS ADJUSTMENT FROM NEAR - FAR
17	0 - 255	ZOOM ZOOM ADJUSTMENT FROM SMALL - BIG
18	0 - 31 32 - 63 64 - 95 96 - 127 128 - 159 160 - 191 192 - 223 224 - 255	SHUTTER & STROBE SHUTTER CLOSED SHUTTER OPEN STROBE EFFECT SLOW - FAST SHUTTER OPEN PULSE EFFECT SHUTTER OPEN RANDOM STROBE EFFECT SLOW - FAST SHUTTER OPEN
19	0 - 255	MASTER DIMMER 0% - 100%
20	0 - 191 192 - 223 224 - 255	IRIS MAXIMUM DIAMETER TO MINIMUM DIAMETER PULSE CLOSING FAST - SLOW PULSE OPENING SLOW - FAST
21	0 - 255	FROST 0% - 100%
22	0 - 255	CMY SPEED & COLOR MACRO SPEED FAST - SLOW
23		PAN/TILT MOVEMENT SPEED FAST - SLOW

Channel	Value	Function
24		COLOR MACRO
	0 - 7	OFF
	8 - 15	MACRO 1
	16 - 23	MACRO 2
	24 - 31	MACRO 3
	32 - 39	MACRO 4
	40 - 47	MACRO 5
	48 - 55	MACRO 6
	56 - 63	MACRO 7
	64 - 71	MACRO 8
	72 - 79	MACRO 9
	80 - 87	MACRO 10
	88 - 95	MACRO 11
	96 - 103	MACRO 12
	104 - 111	MACRO 13
	112 - 119	MACRO 14
	120 - 127	MACRO 15
	128 - 135	MACRO 16
	136 - 143	MACRO 17
	144 - 151	MACRO 18
	152 - 159	MACRO 19
	160 - 167	MACRO 20
	168 - 175	MACRO 21
	176 - 183	MACRO 22
	184 - 191	MACRO 23
	192 - 199	MACRO 24
	200 - 207	MACRO 25
	208 - 215	MACRO 26
	216 - 223	MACRO 27
	224 - 231	MACRO 28
232 - 239	MACRO 29	
240 - 247	MACRO 30	
248 - 255	RANDOM CMY	
25		DIMMER MODES
	0 - 20	STANDARD
	21 - 40	STAGE
	41 - 60	TV
	61 - 80	ARCHITECTURAL
	81 - 100	THEATER
101 - 255	DEFAULT TO UNIT SETTING	

Channel	Value	Function
26	0 - 69 70 - 79 80 - 89 90 - 99 100 - 109 110 - 119 120 - 129 130 - 139 140 - 149 150 - 159 160 - 169 170 - 199 200 - 209 210 - 219 220 - 229 230 - 255	SPECIAL FUNCTIONS NOTHING ENABLE BLACKOUT WITH PAN/TILT MOVEMENT DISABLE BLACKOUT WITH PAN/TILT MOVEMENT ENABLE BLACKOUT WITH COLOR WHEEL MOVEMENT DISABLE BLACKOUT WITH COLOR WHEEL MOVEMENT ENABLE BLACKOUT WITH GOBO WHEEL MOVEMENT DISABLE BLACKOUT WITH GOBO WHEEL MOVEMENT FOCUS COMPENSATE DISABLE FOCUS COMPENSATE NEAR FOCUS COMPENSATE MEDIUM FOCUS COMPENSATE FAR NOTHING RESET ALL RESET EFFECT RESET PAN/TILT MOTORS NOTHING

Channel	Value	Function
1	0 - 255	PAN MOVEMENT BY 540°
2		PAN MOVEMENT FINE (16BIT)
3	0 - 255	TILT MOVEMENT BY 270°
4	0 - 255	TILT MOVEMENT FINE (16BIT)
5	0 - 6 7 - 12 13 - 18 19 - 25 26 - 31 32 - 37 38 - 44 45 - 50 51 - 56 57 - 63 64 - 127 128 - 190 191 - 192 193 - 255	COLOR WHEEL OPEN RED LIGHT GREEN PINK ORANGE CTB CTO UV GREEN LIGHT BLUE COLOR INDEXING CLOCKWISE SCROLL FAST - SLOW STOP COUNTER-CLOCKWISE SCROLL SLOW - FAST
6	0 - 255	COLOR WHEEL FINE COLOR WHEEL CHANGE TO ANY POSITION
7	0 - 255	CYAN 0% - 100%
8	0 - 255	CYAN FINE 0% - 100%
9	0 - 255	MAGENTA 0% - 100%
10	0 - 255	MAGENTA FINE 0% - 100%
11	0 - 255	YELLOW 0% - 100%
12	0 - 255	YELLOW FINE 0% - 100%

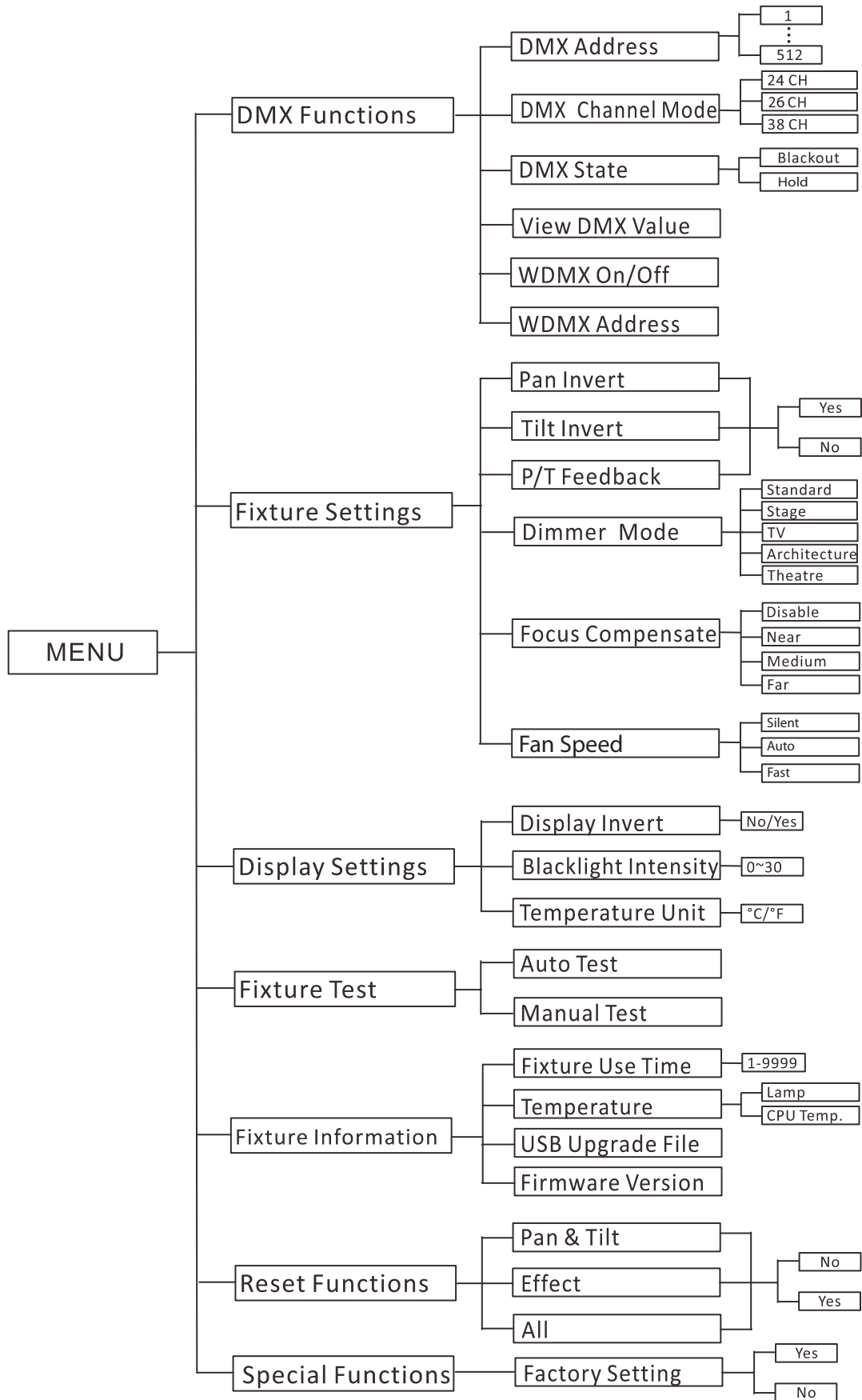
Channel	Value	Function
13	0 - 7 8 - 15 16 - 23 24 - 31 32 - 39 40 - 47 48 - 55 56 - 63 64 - 72 73 - 81 82 - 90 91 - 99 100 - 108 109 - 117 118 - 127 128 - 190 191 - 192 193 - 255	ROTATING GOBOS (GOBO WHEEL 1) OPEN ROTATING GOBO 1 ROTATING GOBO 2 ROTATING GOBO 3 ROTATING GOBO 4 ROTATING GOBO 5 ROTATING GOBO 6 ROTATING GOBO 7 ROTATING GOBO 1 SHAKE ROTATING GOBO 2 SHAKE ROTATING GOBO 3 SHAKE ROTATING GOBO 4 SHAKE ROTATING GOBO 5 SHAKE ROTATING GOBO 6 SHAKE ROTATING GOBO 7 SHAKE CLOCKWISE SCROLL FAST - SLOW STOP COUNTER-CLOCKWISE SCROLL SLOW - FAST
14	0 - 127 128 - 189 190 - 192 193 - 255	ROTATING GOBO INDEXING & GOBO ROTATION GOBO INDEXING 0 - 360 CLOCKWISE ROTATION FAST - SLOW STOP COUNTER-CLOCKWISE ROTATION SLOW - FAST
15	0 - 255	ROTATING GOBO FINE INDEXING

Channel	Value	Function
16	0 - 6	FIXED GOBOS (GOBO WHEEL 2) OPEN
	7 - 12	GOBO 1
	13 - 18	GOBO 2
	19 - 25	GOBO 3
	26 - 31	GOBO 4
	32 - 37	GOBO 5
	38 - 44	GOBO 6
	45 - 50	GOBO 7
	51 - 56	GOBO 8
	57 - 63	GOBO 9
	64 - 70	GOBO 1 SHAKE SLOW - FAST
	71 - 77	GOBO 2 SHAKE SLOW - FAST
	78 - 84	GOBO 3 SHAKE SLOW - FAST
	85 - 91	GOBO 4 SHAKE SLOW - FAST
	92 - 98	GOBO 5 SHAKE SLOW - FAST
	99 - 105	GOBO 6 SHAKE SLOW - FAST
	106 - 112	GOBO 7 SHAKE SLOW - FAST
	113 - 119	GOBO 8 SHAKE SLOW - FAST
	120 - 127	GOBO 9 SHAKE SLOW - FAST
	128 - 190	CLOCKWISE WHEEL ROTATION FAST - SLOW
191 - 192	STOP	
193 - 255	COUNTER-CLOCKWISE WHEEL ROTATION SLOW - FAST	
17	0 - 255	FIXED GOBE FINE INDEXING
18	0 - 10	PRISM 1 (LINEAR) NO EFFECT
	11 - 127	ON
	128 - 255	MACRO 1 - 32
19	0 - 127	PRISM 1 ROTATION PRISM INDEXING
	128 - 190	CLOCKWISE ROTATION FAST - SLOW
	191 - 192	NO ROTATION
	193 - 255	COUNTER-CLOCKWISE ROTATION SLOW - FAST
20	0 - 255	PRISM 1 FINE INDEXING
21	0 - 127	PRISM 2 (3 FACET) NO EFFECT
	128 - 255	ON
22	0 - 127	PRISM 2 ROTATION PRISM INDEXING
	128 - 190	CLOCKWISE ROTATION FAST - SLOW
	191 - 192	NO ROTATION
	193 - 255	COUNTER-CLOCKWISE ROTATION SLOW - FAST
23	0 - 255	PRISM 2 FINE INDEXING
24		FOCUS
	0 - 255	CONTINUOUS ADJUSTMENT FROM NEAR - FAR

Channel	Value	Function
25	0 - 255	FINE FOCUS CONTINUOUS ADJUSTMENT FROM NEAR - FAR
26	0 - 255	ZOOM ZOOM ADJUSTMENT FROM SMALL - BIG
27	0 - 255	FINE ZOOM ZOOM ADJUSTMENT FROM SMALL - BIG
28	0 - 31 32 - 63 64 - 95 96 - 127 128 - 159 160 - 191 192 - 223 224 - 255	SHUTTER & STROBE SHUTTER CLOSED SHUTTER OPEN STROBE EFFECT SLOW - FAST SHUTTER OPEN PULSE EFFECT SHUTTER OPEN RANDOM STROBE EFFECT SLOW - FAST SHUTTER OPEN
29	0 - 255	MASTER DIMMER 0% - 100%
30	0 - 255	FINE MASTER DIMMER 0% - 100%
31	0 - 191 192 - 223 224 - 255	IRIS MAXIMUM DIAMETER TO MINIMUM DIAMETER PULSE CLOSING FAST - SLOW PULSE OPENING SLOW - FAST
32	0 - 255	FINE IRIS
33	0 - 255	FROST 0% - 100%
34	0 - 255	CMY SPEED & COLOR MACRO SPEED FAST - SLOW
35		PAN/TILT MOVEMENT SPEED FAST - SLOW

Channel	Value	Function
36	0 - 7	COLOR MACRO OFF
	8 - 15	MACRO 1
	16 - 23	MACRO 2
	24 - 31	MACRO 3
	32 - 39	MACRO 4
	40 - 47	MACRO 5
	48 - 55	MACRO 6
	56 - 63	MACRO 7
	64 - 71	MACRO 8
	72 - 79	MACRO 9
	80 - 87	MACRO 10
	88 - 95	MACRO 11
	96 - 103	MACRO 12
	104 - 111	MACRO 13
	112 - 119	MACRO 14
	120 - 127	MACRO 15
	128 - 135	MACRO 16
	136 - 143	MACRO 17
	144 - 151	MACRO 18
	152 - 159	MACRO 19
	160 - 167	MACRO 20
	168 - 175	MACRO 21
	176 - 183	MACRO 22
	184 - 191	MACRO 23
	192 - 199	MACRO 24
	200 - 207	MACRO 25
	208 - 215	MACRO 26
	216 - 223	MACRO 27
224 - 231	MACRO 28	
232 - 239	MACRO 29	
240 - 247	MACRO 30	
248 - 255	RANDOM CMY	
37	0 - 20	DIMMER MODES STANDARD
	21 - 40	STAGE
	41 - 60	TV
	61 - 80	ARCHITECTURAL
	81 - 100	THEATER
	101 - 255	DEFAULT TO UNIT SETTING

Channel	Value	Function
38	0 - 69	SPECIAL FUNCTIONS
	70 - 79	NOTHING
	80 - 89	ENABLE BLACKOUT WITH PAN/TILT MOVEMENT
	90 - 99	DISABLE BLACKOUT WITH PAN/TILT MOVEMENT
	100 - 109	ENABLE BLACKOUT WITH COLOR WHEEL MOVEMENT
	110 - 119	DISABLE BLACKOUT WITH COLOR WHEEL MOVEMENT
	120 - 129	ENABLE BLACKOUT WITH GOBO WHEEL MOVEMENT
	130 - 139	DISABLE BLACKOUT WITH GOBO WHEEL MOVEMENT
	140 - 149	FOCUS COMPENSATE DISABLE
	150 - 159	FOCUS COMPENSATE NEAR
	160 - 169	FOCUS COMPENSATE MEDIUM
	170 - 199	FOCUS COMPENSATE FAR
	200 - 209	NOTHING
	210 - 219	RESET ALL
	220 - 229	RESET EFFECT
	230 - 255	RESET PAN/TILT MOTORS
	NOTHING	



System Menu: When making adjustments press **ENTER** to confirm your setup. To exit without making any adjustments press the **MENU** button. The display will lock after 30 seconds, press the **MENU** button for 3 seconds to unlock.

DMX FUNCTIONS -

DMX Address - With this function, you can adjust the DMX address via the Control Board.

1. Access the main menu, and press the UP or DOWN buttons so that “**DMX Functions**” is highlighted, then press ENTER.
2. Press the UP or DOWN buttons until “**DMX Address**” is displayed, and press ENTER. The current DMX address will now be displayed.
3. Use the UP or DOWN buttons to adjust the DMX address.
4. Press ENTER to confirm or press MENU button to return to the main menu.

DMX Channel Mode - With this function, you can select the DMX channel mode.

1. Access the main menu, and press the UP or DOWN buttons so that “**DMX Functions**” is highlighted, then press ENTER.
2. Press the UP or DOWN buttons until “**DMX Channel Mode**” is displayed, and press ENTER. The current DMX channel mode will now be displayed.
3. Press the MENU button to return to the main menu.

DMX State - This mode can be used as a precaution mode, that in case the DMX signal is lost, interrupted, or power is lost, the operating mode chosen in this setup is the running mode the fixture will go into when the DMX signal is lost. You can also set this as the running mode you would like the unit to return to when power is applied.

1. Access the main menu, and press the UP or DOWN buttons so that “**DMX Functions**” is highlighted, then press ENTER.
 2. Press the UP or DOWN buttons until “**DMX State**” is displayed, and press ENTER. Use the UP and DOWN buttons to switch between the two modes; Blackout or Hold. Press the ENTER button to make your selection.
- **HOLD** - If the DMX signal is lost the fixture will stay in the last DMX setting. If power is applied and this mode is set, the unit will automatically go into the last DMX set up.
 - **BLACKOUT** - If the DMX signal is lost or interrupted, the unit will automatically go into stand by mode.
3. Press the MENU button to return to the main menu.

DMX Value - This function will allow you to see the DMX value of each DMX channel that is currently being used at the time.

1. Access the main menu, and press the UP or DOWN buttons so that “**DMX Functions**” is highlighted, then press ENTER.
2. Press the UP or DOWN buttons until “**DMX Value**” is displayed, and press ENTER.
3. A DMX Channel will be displayed. **Example:** Prism, Color Wheel, Gobo Wheel, etc... Press ENTER when you find the DMX channel that you would like to check. When you press ENTER the DMX value of that channel will displayed.
4. Press the MENU button to exit and return to the main menu.

WDMX On/Off - In this submenu you can activate the wireless DMX function.

1. Access the main menu, and press the UP or DOWN buttons so that “**DMX Functions**” is highlighted, then press ENTER.
2. Press the UP or DOWN buttons until “**WDMX On/Off**” is displayed, and press ENTER.
3. Either “On” or “Off” will displayed. To activate Wireless DMX press the UP or DOWN so that “On” is highlighted and press ENTER.
4. Press the MENU button to exit and return to the main menu.

WDMX Address - In this submenu you can set the wireless DMX address.

1. Access the main menu, and press the UP or DOWN buttons so that “**DMX Functions**” is highlighted, then press ENTER.
2. Press the UP or DOWN buttons until “**WDMX Address**” is displayed, and press ENTER.
3. The current WiFly address will be displayed. Press the UP or DOWN to adjust the WiFly DMX address and press ENTER to confirm. The WDMX address must match the WiFly DMX address your Wireless DMX controller is set to.
4. Press the MENU button to exit and return to the main menu.

FIXTURE SETTINGS -

Pan Invert - With this function, you can reverse the Pan movement.

1. Access the main menu, and press the UP or DOWN buttons so that “**Fixture Settings**” is highlighted, then press ENTER.
2. Press the UP or DOWN buttons until “**Pan Invert**” is displayed, and press ENTER. The current setting will now be displayed.
3. Use the UP or DOWN buttons to switch between “YES” and “NO”. Selecting “YES” will activate pan inverse, “NO” will deactivate the function.
4. Press ENTER to confirm your selection or press the MENU button to return to the main menu.

Tilt Invert - With this function, you can reverse the Tilt movement.

1. Access the main menu, and press the UP or DOWN buttons so that “**Fixture Settings**” is highlighted, then press ENTER.
2. Press the UP or DOWN buttons until “**Tilt Invert**” is displayed, and press ENTER. The current setting will now be displayed.
3. Use the UP or DOWN buttons to switch between “YES” and “NO”. Selecting “YES” will activate tilt inverse, “NO” will deactivate the function.
4. Press ENTER to confirm your selection or press the MENU button to return to the main menu.

P/T Feedback - With this function, you have the pan and tilts position feedback while out of step or not feedback while out of step.

1. Access the main menu, and press the UP or DOWN buttons so that “**Fixture Settings**” is highlighted, then press ENTER.
2. Press the UP or DOWN buttons until “**P/T Feedback**” is displayed, and press ENTER. The current setting will now be displayed.
3. Use the UP or DOWN buttons to switch between “YES” and “NO”. Selecting “YES” will activate feedback, “NO” will deactivate the function.
4. Press ENTER to confirm your selection or press the MENU button to return to the main menu.

Dimmer Mode - With this function, you can select your desired dimmer curve. See the chart on page 42 for the different curves.

1. Access the main menu, and press the UP or DOWN buttons so that “**Fixture Settings**” is highlighted, then press ENTER.
2. Press the UP or DOWN buttons until “**Dimmer Mode**” is displayed, and press ENTER. The current curve setting will now be displayed.
3. Use the UP or DOWN buttons to scroll through the different dimmer curves.
4. Press ENTER to confirm your selection or press the MENU button to return to the main menu.

Focus Compensate - With this function, you can select the focus in regards to projected distance. This setting is used in conjunction with the focus channel in your selected DMX mode. **Example:** If the unit is being used in a short distance around 5 meters then “NEAR” should be selected.

1. Access the main menu, and press the UP or DOWN buttons so that “**Fixture Settings**” is highlighted, then press ENTER.
2. Press the UP or DOWN buttons until “**Focus Compensate**” is displayed, and press ENTER. The current setting will be displayed.
3. Use the UP or DOWN buttons to scroll through the different settings.
4. Press ENTER to confirm your selection or press the MENU button to return to the main menu.

Fan Speed - With this function, you can select your desired fan speed.

1. Access the main menu, and press the UP or DOWN buttons so that “**Fixture Settings**” is highlighted, then press ENTER.
2. Press the UP or DOWN buttons until “**Fan Speed**” is displayed, and press ENTER. The current setting will be displayed.
3. Use the UP or DOWN buttons to toggle between the three settings.
4. Press ENTER to confirm your selection or press the MENU button to return to the main menu.

DISPLAY SETTINGS -

Display Invert - With this function, you can “flip” the display 180 degrees.

1. Access the main menu, and press the UP or DOWN buttons so that “**Display Settings**” is highlighted, then press ENTER.
2. Press the UP or DOWN buttons until “**Display Invert**” is displayed, and press ENTER. The current setting will now be displayed.
3. Use the UP or DOWN buttons to switch between “No” or “Yes”. Selecting “Yes” will “flip” the display, “No” will return the display to normal.
4. Press ENTER to confirm your selection or press the MENU button to return to the main menu.

Backlight Intensity - With this function, you can adjust the intensity of the display backlight.

1. Access the main menu, and press the UP or DOWN buttons so that “**Display Settings**” is highlighted, then press ENTER.
2. Press the UP or DOWN buttons until “**Backlight Intensity**” is displayed, and press ENTER. The current setting will now be displayed.
3. Use the UP or DOWN buttons to adjust the intensity between 0-30. 0 is the lowest intensity, 30 the brightest intensity.
4. Press ENTER to confirm your selection or press the MENU button to return to the main menu.

Temperature Unit - With this function, you can switch the temperature setting between Celsius or Fahrenheit.

1. Access the main menu, and press the UP or DOWN buttons so that “**Display Settings**” is highlighted, then press ENTER.
2. Press the UP or DOWN buttons until “**Temperature Unit**” is displayed, and press ENTER. The current setting will now be displayed.
3. Use the UP or DOWN buttons to switch between °C or °F.
4. Press ENTER to confirm your selection or press the MENU button to return to the main menu.

FIXTURE TEST -

Fixture Test - With this function, you can run an Auto Test or a Manual Test.

1. Access the main menu, and press the UP or DOWN buttons so that “**Fixture Test**” is highlighted, then press ENTER.
2. Use the UP or DOWN buttons to switch between “**Auto Test**” or “**Manual Test**”.
3. Press ENTER to confirm your selection or press the MENU button to return to the main menu.

FIXTURE INFORMATION -

Fixture Use Time - With this function, you can check the fixture running time.

1. Access the main menu, and press the UP or DOWN buttons so that “**Fixture Information**” is highlighted, then press ENTER.
2. Press the UP or DOWN buttons until “**Fixture Use Time**” is displayed, and press ENTER. The fixture running time will now be displayed.
3. Press the MENU button to return to the main menu.

Temperature - With this function, you can check the fixture temperature.

1. Access the main menu, and press the UP or DOWN buttons so that “**Fixture Information**” is highlighted, then press ENTER.
2. Press the UP or DOWN buttons until “**Temperature**” is displayed, and press ENTER. The current fixture temperature will now be displayed.
3. Press the MENU button to return to the main menu.

USB Upgrade File - This submenu is used for any future software updates. Check www.adj.com and this units webpage for any software updates. Download the software update to a flash stick and plug the flash stick into the Flash Drive slot located on the front of the unit.

1. Contact ADJ customer service for help when updating software.

Firmware Version - With this function, you can check the current firmware version.

1. Access the main menu, and press the UP or DOWN buttons so that “**Fixture Information**” is highlighted, then press ENTER.
2. Press the UP or DOWN buttons until “**Firmware Version**” is displayed, and press ENTER. The current firmware version will now be displayed.
3. Press the MENU button to return to the main menu.

RESET FUNCTIONS -

Pan & Tilt - With this function, you can reset the pan & tilt motors.

1. Access the main menu, and press the UP or DOWN buttons so that “**Reset Functions**” is highlighted, then press ENTER.
2. Press the UP or DOWN buttons until “**Pan & Tilt**” is displayed, and press ENTER.
3. Use the UP or DOWN buttons to switch between “No” or “Yes”. To reset the pan & tilt motors, select “Yes” and press ENTER.

Effect - With this function, you can reset the effect motors.

1. Access the main menu, and press the UP or DOWN buttons so that “**Reset Functions**” is highlighted, then press ENTER.
2. Press the UP or DOWN buttons until “**Effects**” is displayed, and press ENTER.
3. Use the UP or DOWN buttons to switch between “No” or “Yes”. To reset the effects motors, select “Yes” and press ENTER.

All - With this function, you can reset all of the motors.

1. Access the main menu, and press the UP or DOWN buttons so that “**Reset Functions**” is highlighted, then press ENTER.
2. Press the UP or DOWN buttons until “**All**” is displayed, and press ENTER.
3. Use the UP or DOWN buttons to switch between “No” or “Yes”. To reset all of the motors, select “Yes” and press ENTER.

SPECIAL FUNCTIONS -

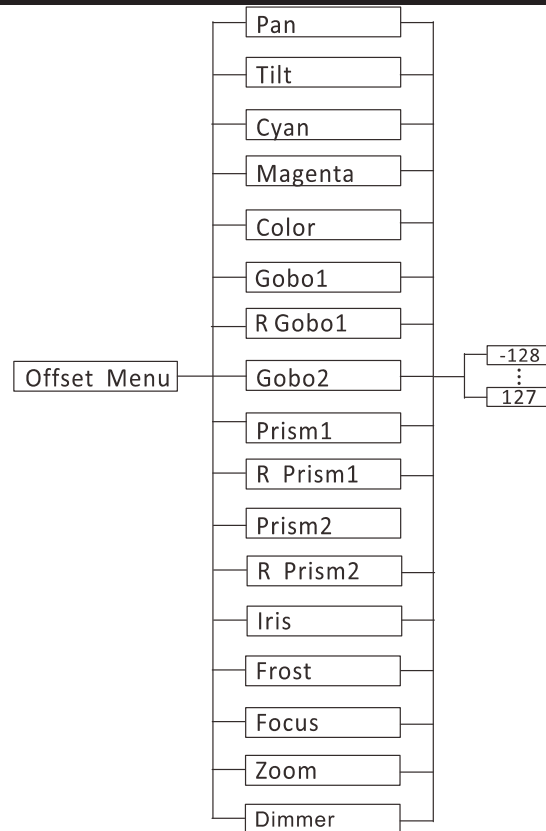
Factory Setting - Within this menu, you can reset the fixture to factory settings.

1. Access the main menu, and press the UP or DOWN buttons so that “**Special Functions**” is highlighted, then press ENTER.
2. “**Factory Setting**” will now be displayed, and press ENTER.
3. To reset the fixture to factory settings, use the UP or DOWN buttons to “Yes” and press ENTER. If you do not wish to reset to factory settings, highlight “No” and press ENTER.

With this feature you are able to control the unit with DMX without the need of XLR cables. Your DMX controller must be connected to a ADJ WiFly TransCeiver or have WiFly wireless DMX remote to use this function. You are able to communicate up to 2500 feet/760 meters (open line of sight).

1. Follow the instructions on page 30 to activate WiFly and set the Wireless address. The address must match the address set on the WiFly Transceiver.
2. After you have set the WiFly address, follow the DMX instructions on page 29 to select your desired DMX Channel mode and set your DMX address.
3. Apply power to the ADJ WiFly Transceiver. The fixture must be set up first before you apply power to WiFly Transceiver.

Note: If the sync does not work, switch the WiFly power off then on again.



OFFSET MENU

ONLY QUALIFIED TECHNICIANS SHOULD PERFORM THIS FUNCTION!

This function allows small adjustments to be made to the multiple fixture settings to compensate for movement misalignment and/or when a sensor has been knocked slightly out of position. Improper use of this function can result in undesired operation of this fixture compared to others being used at the same time. Because this can be an extremely detailed procedure, careful consideration must be used before making any changes. Please contact our customer support team for step-by-step instructions and guidance.

To enter the Offset Menu, press the ENTER button for at least 3 seconds.

Pan - Adjustment of the pan home position.

1. Press the ENTER button for at least 3 seconds, then press the UP or DOWN buttons so that “**Pan**” is displayed, press ENTER.
2. Use the UP and DOWN buttons to make your adjustments, and then press ENTER to confirm. Press the MENU button for one second to exit.

TILT - Adjustment of the tilt home position.

1. Press the ENTER button for at least 3 seconds, then press the UP or DOWN buttons so that “**Tilt**” is displayed, press ENTER.
2. Use the UP and DOWN buttons to make your adjustments, and then press ENTER to confirm. Press the MENU button for one second to exit.

Cyan - Setting adjustment for cyan color disc.

1. Press the ENTER button for at least 3 seconds, then press the UP or DOWN buttons so that “**Cyan**” is displayed, press ENTER.
2. Use the UP and DOWN buttons to make your adjustments, and then press ENTER to confirm. Press the MENU button for one second to exit.

Magenta - Setting adjustment for magenta color disc.

1. Press the ENTER button for at least 3 seconds, then press the UP or DOWN buttons so that “**Magenta**” is displayed, press ENTER.
2. Use the UP and DOWN buttons to make your adjustments, and then press ENTER to confirm. Press the MENU button for one second to exit.

Yellow - Setting adjustment for Yellow color disc.

1. Press the ENTER button for at least 3 seconds, then press the UP or DOWN buttons so that “**Yellow**” is displayed, press ENTER.
2. Use the UP and DOWN buttons to make your adjustments, and then press ENTER to confirm. Press the MENU button for one second to exit.

Color - Setting adjustment for color wheel.

1. Press the ENTER button for at least 3 seconds, then press the UP or DOWN buttons so that “**Color**” is displayed, press ENTER.
2. Use the UP and DOWN buttons to make your adjustments, and then press ENTER to confirm. Press the MENU button for one second to exit.

Gobo1 - Setting adjustment for gobo wheel 1 (glass gobo wheel).

1. Press the ENTER button for at least 3 seconds, then press the UP or DOWN buttons so that “**Gobo1**” is displayed, press ENTER.
2. Use the UP and DOWN buttons to make your adjustments, and then press ENTER to confirm. Press the MENU button for one second to exit.

R Gobo1 - Setting adjustment for the gobo rotation in gobo wheel 1 (glass gobo wheel).

1. Press the ENTER button for at least 3 seconds, then press the UP or DOWN buttons so that “**R Gobo1**” is displayed, press ENTER.
2. Use the UP and DOWN buttons to make your adjustments, and then press ENTER to confirm. Press the MENU button for one second to exit.

Gobo2 - Setting adjustment for gobo wheel 2.

1. Press the ENTER button for at least 3 seconds, then press the UP or DOWN buttons so that “**Gobo2**” is displayed, press ENTER.
2. Use the UP and DOWN buttons to make your adjustments, and then press ENTER to confirm. Press the MENU button for one second to exit.

Prism1 - Setting adjustment for the 1st prism.

1. Press the ENTER button for at least 3 seconds, then press the UP or DOWN buttons so that “**Prism1**” is displayed, press ENTER.
2. Use the UP and DOWN buttons to make your adjustments, and then press ENTER to confirm. Press the MENU button for one second to exit.

R Prism1 - Setting adjustment for the prism 1 rotation.

1. Press the ENTER button for at least 3 seconds, then press the UP or DOWN buttons so that “**R Prism1**” is displayed, press ENTER.
2. Use the UP and DOWN buttons to make your adjustments, and then press ENTER to confirm. Press the MENU button for one second to exit.

Prism2 - Setting adjustment for the 2nd prism.

1. Press the ENTER button for at least 3 seconds, then press the UP or DOWN buttons so that “**Prism2**” is displayed, press ENTER.
2. Use the UP and DOWN buttons to make your adjustments, and then press ENTER to confirm. Press the MENU button for one second to exit.

R Prism2 - Setting adjustment for the prism 2 rotation.

1. Press the ENTER button for at least 3 seconds, then press the UP or DOWN buttons so that “**R Prism2**” is displayed, press ENTER.
2. Use the UP and DOWN buttons to make your adjustments, and then press ENTER to confirm. Press the MENU button for one second to exit.

Iris - Setting adjustment for the iris.

1. Press the ENTER button for at least 3 seconds, then press the UP or DOWN buttons so that “**Iris**” is displayed, press ENTER.
2. Use the UP and DOWN buttons to make your adjustments, and then press ENTER to confirm. Press the MENU button for one second to exit.

Frost - Setting adjustment for the frost filter.

1. Press the ENTER button for at least 3 seconds, then press the UP or DOWN buttons so that “**Frost**” is displayed, press ENTER.
2. Use the UP and DOWN buttons to make your adjustments, and then press ENTER to confirm. Press the MENU button for one second to exit.

FOCUS - Setting adjustment for the focus.

1. Press the ENTER button for at least 3 seconds, then press the UP or DOWN buttons so that “**Focus**” is displayed, press ENTER.
2. Use the UP and DOWN buttons to make your adjustments, and then press ENTER to confirm. Press the MENU button for one second to exit.

Zoom - Setting adjustment for the zoom.

1. Press the ENTER button for at least 3 seconds, then press the UP or DOWN buttons so that “**Zoom**” is displayed, press ENTER.
2. Use the UP and DOWN buttons to make your adjustments, and then press ENTER to confirm. Press the MENU button for one second to exit.

Dimmer - Setting adjustment for the dimmer.

1. Press the ENTER button for at least 3 seconds, then press the UP or DOWN buttons so that “**Dimmer**” is displayed, press ENTER.
2. Use the UP and DOWN buttons to make your adjustments, and then press ENTER to confirm. Press the MENU button for one second to exit.

- (1) CPU-B/C/D/E ERROR
- (2)Pan :Reset Error/Encoder Error/
- (3)Tilt: Reset Error/Encoder Error/
- (4)Color Reset Error
- (5)Cyan Reset Error
- (6)Magenta Reset Error
- (7)Yellow Reset Error
- (8)Gobo1 Reset Error
- (9)RGobo1 Reset Error
- (10)Gobo2 Reset Error
- (11)Prism1 Reset Error
- (12)RPrsim1 Reset Error
- (13)Prism2 Reset Error
- (14)RPrsim2 Reset Error
- (15)Focus Reset Error
- (16)Zoom Reset Error

***** IMPORTANT NOTICE REGARDING CUSTOM GOBOS *****

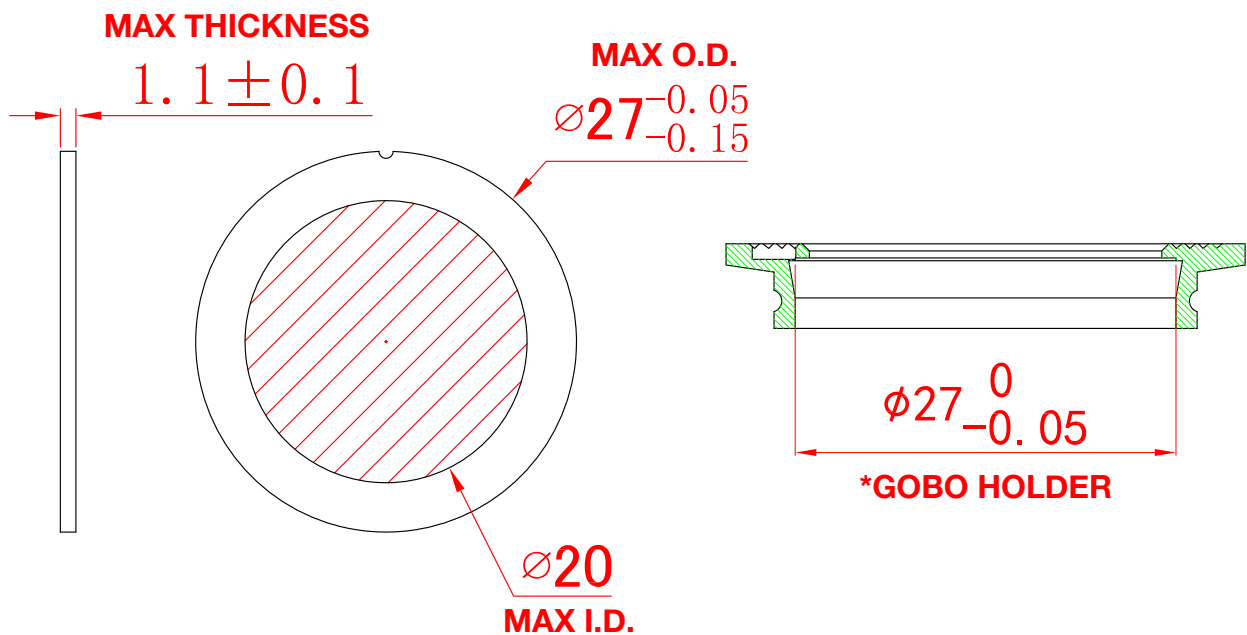
Due to the high temperature optical system, special BOROFLOAT glass material and design requirements are required.

Due to varying gobo manufacturing processes and tolerances, it is highly recommended to provide a gobo and gobo holder/wheel sample from the fixture to the custom gobo vendor for accurate sizing. Gobo specifications below including diameter, thickness, and materials have been tested and are compatible in this fixture.

Using custom gobos that do not match the gobo specifications below, is not recommended and any damage to the fixture as a result of using a custom gobo is NOT covered under warranty.

Extended testing of custom gobo designs is highly recommended prior to using.

PLEASE CONTACT ADJ CUSTOMER SUPPORT FOR FURTHER INFORMATION.



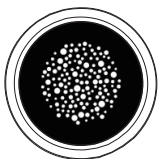
O.D. (Max. Outer Diameter)	$\phi 26.8\text{mm} -0.15\text{mm}$
I.D. (Max. Image Diameter)	$\phi 20\text{mm}$
Gobo Holder Diameter	$\phi 27.0\text{mm} -0.05\text{mm}$
Thickness	$1.1\text{mm} \pm 0.1\text{mm}$
Material	BOROFLOAT GLASS

**GOBOS 1,2,3,5,6,7 ARE SECURED IN THE GOBO HOLDER WITH A RETAINER SPRING AND HIGH TEMPERATURE SILICONE SEALANT.
GOBO 4 IS SECURED WITH A HIGH TEMPERATURE SILICONE SEALANT ONLY, NO RETAINER SPRING.
NO METAL BEZELS ARE USED TO SECURE ANY OF THE FACTORY GOBOS.**

GOBO WHEEL 1 - REPLACEABLE GOBOS



GOBO 1



GOBO 2



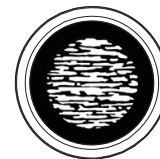
GOBO 3



GOBO 4



GOBO 5

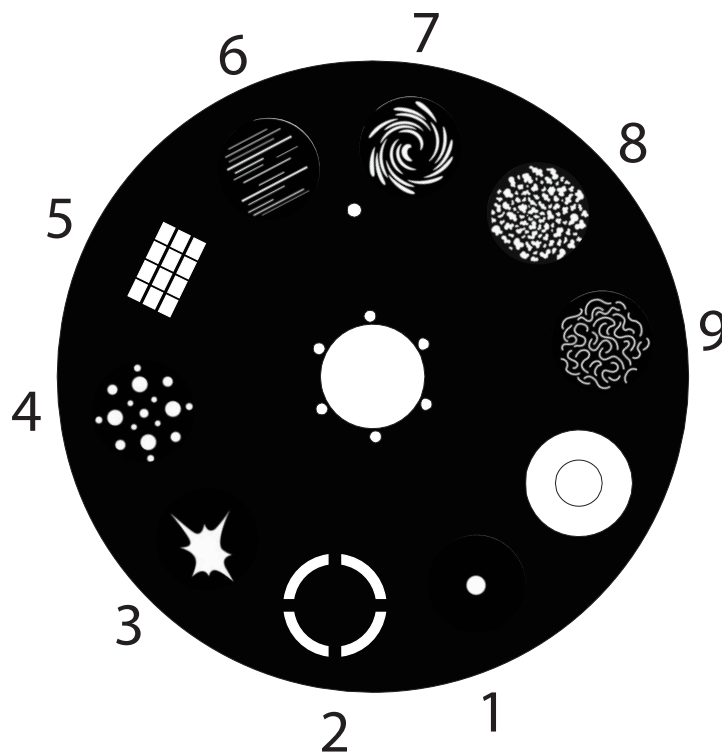


GOBO 6



GOBO 7

GOBO WHEEL 2 - STATIC-FIXED GOBOS



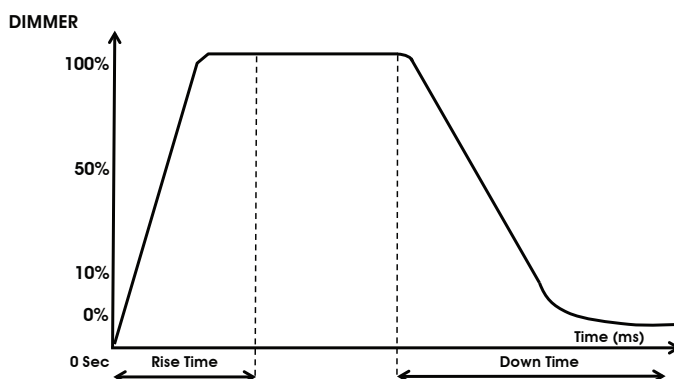
The glass gobo's are the only gobo's that are interchangeable in this unit. Remember when changing these gobo's that they are glass. Please do this process gently so you do not break the gobo.

Caution! *Never open the unit when in use. Always disconnect the main power before attempting to change the gobos.*

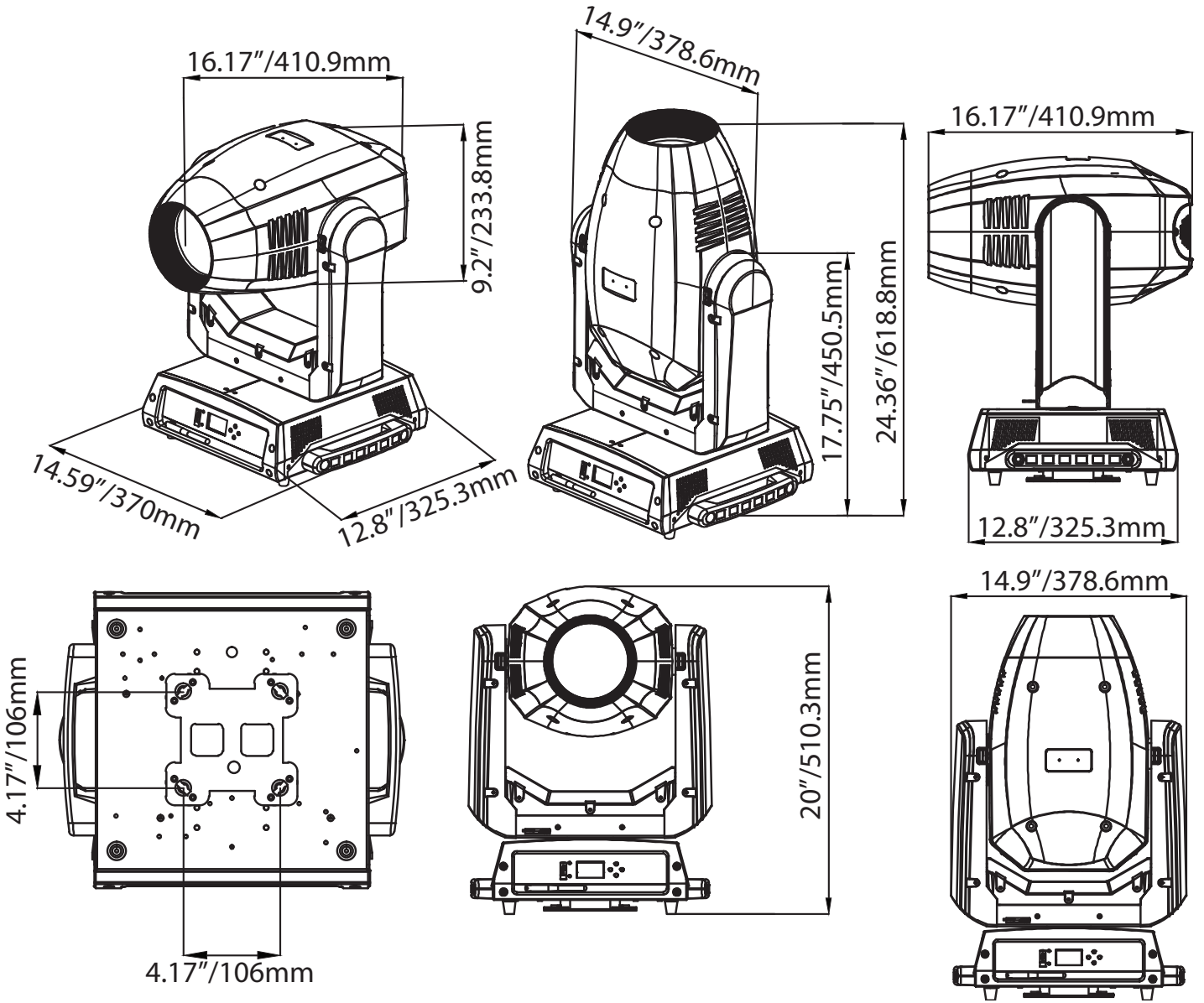
Note: *Gobo 4 has no retainer ring. The gobo is held in by high temperature silicon sealant.*

Locating the Gobo wheel: After disconnecting the main power, position the head with the lens facing forward. Look through lens of the unit. When looking through the front lens, position the head so that the gears are on the right side. When the gears are on the right side, the shell that needs to be unscrewed is now facing up.

1. To change a gobo, unscrew the 4 screws that secure the shell to the unit. The shell is attached to the unit by a safety wire, gently lift the shell off of the unit.
2. When you remove the shell you will be able to access the gobo wheel. Turn the wheel with your hand until you come across the gobo you would like to change.
3. You have to remove the individual gobo frames. Gently push the gobo frame (Not the wheel) away from the gobo wheel, you do not have to the push the gobo frame to far. While you are pushing the gobo frame away from the wheel, pull the the gobo frame up and out.
4. Once the gobo frame has been removed, you will notice that high temperature silicon sealant is applied to the retainer ring. Using a small flat head screw driver, very gently scrape away the silicon sealant to release the retainer ring. After the retainer ring is removed, remove the gobo.
5. Change the gobo and replace the retainer ring. Reapply high temperature silicon sealant to the same areas on the retainer ring.
6. Insert the gobo frame back into the unit, positioning it in same way as the other gobo frames.
7. Reassemble the unit.



Dimming Curve Ramp Effect	0 sec Fade Time		1 sec Fade Time	
	Rise Time (ms)	Down Time (ms)	Rise Time (ms)	Down Time (ms)
Standard (default)	0	0	0	0
Stage	780	1100	1540	1660
TV	1180	1520	1860	1940
Architectural	1380	1730	2040	2120
Theatre	1580	1940	2230	2280



Vizi CMY300

Multiple Unit Power Linking

With this feature you can connect the fixtures to one another using the powerCON input and output sockets. The maximum that can be connected is 4 fixtures @ 120V and 8 fixtures @ 240V. After the maximum connected fixtures you will need to use a new power outlet.

NOTE: USE CAUTION WHEN POWER LINKING OTHER FIXTURES TO THE VIZI CMY300 AS THE POWER CONSUMPTION OF OTHER LIGHTING FIXTURES WILL VARY!

Vizi CMY300

Fuse Replacement

Unplug the unit from any power source it may be connected to. Once the power has been disconnected, use a phillips head screw driver to unscrew the fuse holder located next to the powerCON input. Remove the bad fuse and replace with a new one, and screw the fuse holder back in.

Vizi CMY300

Trouble Shooting

Listed below are a few common problems the user may encounter, with solutions.

Unit not responding to DMX:

1. Check that the DMX cables are connected properly and are wired correctly (pin 3 is “hot”; on some other DMX devices pin 2 may be ‘hot’). Also, check that all cables are connected to the right connectors; it does matter which way the inputs and outputs are connected.

Vizi CMY300

Cleaning

Due to fog residue, smoke, and dust cleaning the internal and external optical lenses must be carried out periodically to optimize light output.

1. Use normal glass cleaner and a soft cloth to wipe down the outside casing.
2. Clean the external optics with glass cleaner and a soft cloth every 20 days.
3. Always be sure to dry all parts completely before plugging the unit back in.

Cleaning frequency depends on the environment in which the fixture operates (i.e. smoke, fog residue, dust, dew).

MANUFACTURER'S LIMITED WARRANTY

- A. ADJ Products, LLC hereby warrants, to the original purchaser, ADJ Products, LLC products to be free of manufacturing defects in material and workmanship for a prescribed period from the date of purchase (see specific warranty period on reverse). This warranty shall be valid only if the product is purchased within the United States of America, including possessions and territories. It is the owner's responsibility to establish the date and place of purchase by acceptable evidence, at the time service is sought.
- B. For warranty service you must obtain a Return Authorization number (RA#) before sending back the product—please contact ADJ Products, LLC Service Department at 800-322-6337. Send the product only to the ADJ Products, LLC factory. All shipping charges must be pre-paid. If the requested repairs or service (including parts replacement) are within the terms of this warranty, ADJ Products, LLC will pay return shipping charges only to a designated point within the United States. If the entire instrument is sent, it must be shipped in its original package. No accessories should be shipped with the product. If any accessories are shipped with the product, ADJ Products, LLC shall have no liability whatsoever for loss of or damage to any such accessories, nor for the safe return thereof.
- C. This warranty is void if the serial number has been altered or removed; if the product is modified in any manner which ADJ Products, LLC concludes, after inspection, affects the reliability of the product; if the product has been repaired or serviced by anyone other than the ADJ Products, LLC factory unless prior written authorization was issued to purchaser by ADJ Products, LLC; if the product is damaged because not properly maintained as set forth in the instruction manual.
- D. This is not a service contract, and this warranty does not include maintenance, cleaning or periodic check up. During the period specified above, ADJ Products, LLC will replace defective parts at its expense with new or refurbished parts, and will absorb all expenses for warranty service and repair labor by reason of defects in material or workmanship. The sole responsibility of ADJ Products, LLC under this warranty shall be limited to the repair of the product, or replacement thereof, including parts, at the sole discretion of ADJ Products, LLC. All products covered by this warranty were manufactured after August 15, 2012, and bear identifying marks to that effect.
- E. ADJ Products, LLC reserves the right to make changes in design and/or improvements upon its products without any obligation to include these changes in any products theretofore manufactured.

No warranty, whether expressed or implied, is given or made with respect to any accessory supplied with products described above. Except to the extent prohibited by applicable law, all implied warranties made by ADJ Products, LLC in connection with this product, including warranties of merchantability or fitness, are limited in duration to the warranty period set forth above. And no warranties, whether expressed or implied, including warranties of merchantability or fitness, shall apply to this product after said period has expired. The consumer's and/or Dealer's sole remedy shall be such repair or replacement as is expressly provided above; and under no circumstances shall ADJ Products, LLC be liable for any loss or damage, direct or consequential, arising out of the use of, or inability to use, this product.

This warranty is the only written warranty applicable to ADJ Products, LLC Products and supersedes all prior warranties and written descriptions of warranty terms and conditions heretofore published.

MANUFACTURER'S LIMITED WARRANTY PERIODS:

- **Non L.E.D. Lighting Products = 1-year (365 days) Limited Warranty** (Such as: Special Effect Lighting, Intelligent Lighting, UV lighting, Strobes, Fog Machines, Bubble Machines, Mirror Balls, Par Cans, Trussing, Lighting Stands etc. excluding LED and lamps)
- **Laser Products = 1 Year (365 Days) Limited Warranty** (excluding laser diodes which have a 6 month limited warranty)
- **L.E.D. Products = 2-year (730 days) Limited Warranty** (excluding batteries which have a 180 day limited warranty). **Note: 2 Year Warranty only applies to purchases within the United States.**
- **StarTec Series = 1 Year Limited Warranty** (excluding batteries which have a 180 day limited warranty).
- **ADJ DMX Controllers = 2 Year (730 Days) Limited Warranty**

Model: Vizi CMY300

Voltage:	100V ~ 240V/50~60Hz
LED:	1 x 300W LED
UV Range:	399-435nm
Working Position:	Any safe working position
Power Draw:	398W
Power Linking:	4 Fixtures Max. @ 120V 8 Fixtures Max. @ 240V
Fuse:	10A
Weight:	50 lbs./ 23 Kgs.
Dimensions:	14.9" (L) x 16.17" (W) x 24.36" (H) 378.6 x 410.9 x 618.8mm
DMX Channels:	3 DMX Modes: 24/26/38
Warranty:	2 Year (730 days)

Please Note: Specifications and improvements in the design of this unit and this manual are subject to change without any prior written notice.

Follow Us On:

facebook.com/americanadj
twitter.com/americanadj
youtube.com/adjlighting

ADJ Products, LLC
6122 S. Eastern Ave. Los Angeles, CA 90040 USA
Tel: 323-582-2650 / Fax: 323-582-2941
www.adj.com / info@americanadj.com

A.D.J. Supply Europe B.V.
Junostraat 2
6468 EW Kerkrade
Netherlands

www.adj.eu / support@adjgroup.eu
Tel: +31 45 546 85 00 / Fax: +31 45 546 85 99