

## PB-COB

Item ref: 151.557UK

# Zoom LED PAR Bar with Wireless Foot Control

User Manual

Please read through this manual thoroughly before use, any damage caused by misuse of product will not be covered by warranty.

Thank you for choosing this QTX PB-COB PAR bar. A PAR bar kit fantastic for mobile DJs and performers who need their lighting to be quick to set up and easily transportable. This PAR bar boasts 4 high power Cans, each fitted with 1 x 30W 4-in-1 COB LEDs. Smooth colour blending control can be achieved with the included wireless foot controller or via DMX. The main unit also has 4 built in white LEDs to add a flash effect, adding extra dynamics to the light display.

### In the box:

Your PB-COB should arrive to you in a single carton in good condition.

#### Carton 1:

- PAR bar with 4 LED PAR Cans
- Wireless foot controller
- Padded carry case
- 2 x IEC mains lead (UK and EU)
- Tripod stand
- Mounting/free standing brackets

### Warning:

To prevent risk of fire or electric shock, do not expose the unit to rain or damp environments. In the event of a spillage, disconnect the mains and allow the unit to dry out naturally. Qualified personnel should then check the unit before continuing use.



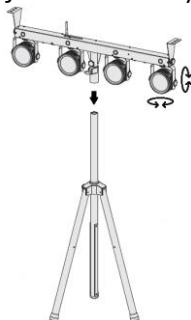
Please do not open cover, contains high voltage. This product is not serviceable or repairable by the end user. Please refer to qualified personnel for service and repair.



- Always check the correct supply voltage and the condition of the IEC lead before connecting to a power outlet.
- Always ensure any DMX leads used are in good condition with no shorted connections or damaged plugs.

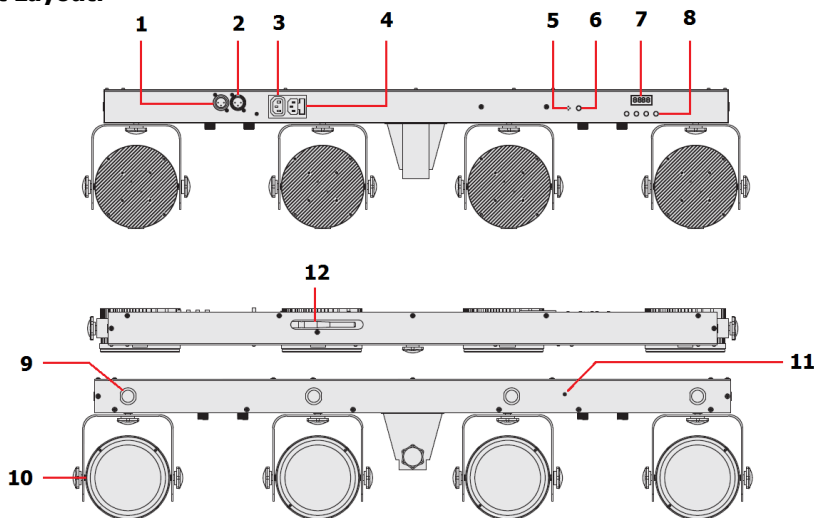
### Setup:

PB-COB is ready to use straight from the box, no complicated set up required. Simply erect the tripod stand supplied and slot in the PAR bar unit on top of stand via the 35mm top hat. Pan and tilt for each PARcan can be adjusted individually to illuminate the required area.



The PB-COB is also suitable for free standing or ceiling mounting, simply attach the supplied brackets to both ends of the PAR bar as free standing feet or for mounting to the ceiling.

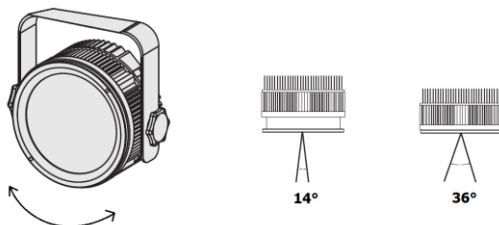
### Product Layout:



- |                                     |  |
|-------------------------------------|--|
| 1. DMX signal out (XLR male socket) | 8. Manual control button                 |
| 2. DMX signal in (XLR female plug)  | 9. White flash LED                       |
| 3. IEC power out                    | 10. 10W 4in1 COB PAR cans                |
| 4. IEC power in                     | 11. Earth connection screw Do NOT remove |
| 5. Built in microphone              | 12. Wireless antenna                     |
| 6. Microphone sensitivity           |  |
| 7. 7 Segment LCD display            |  |

### Zoom-able cans:

One of the special features on PB-COB is that each individual can has an adjustable focal lens to allow light output to focus for a spot effect or dilate as wash effect to suit different applications.



Each can is capable of projecting a beam angle from 14° to 36°. To adjust, turn the front focal lens anti-clockwise for a focused spot effect or turn clockwise for a dilated wash effect.

### Manual control menu:

Press the "menu" button to enter the setting menu.

Press "up" and "down" to navigate through various setting options.

Press "enter" to enter the desired setting.

Choose set value by "up" and "down" buttons and confirm setting by pressing "enter".

Menu	Sub menu	Function
AUL	AULP (AP0 1-AP 17)	PAR light only auto program 1-17, 50 1-599 speed adjustment, slow to fast
	AULF (AF0 1-AF 10)	Flash light only auto program 1-10, 50 1-599 speed adjustment, slow to fast
	AULn (An0 1-An03)	PAR light and flash auto program 1-3, 50 1-599 speed adjustment, slow to fast
SoU	SoUP (SP0 1-SP 12)	PAR light only sound activate program 1-12
	SoUF (SF0 1-SF 10)	Flash light only sound activate program 1-10
	SoUn (Sn0 1-Sn03)	PAR light and flash sound activate program 1-3
CoL	r000-r255	Manual colour mixing, red value 0% to 100% brightness
	9000-9255	Manual colour mixing, green value 0% to 100% brightness
	b000-b255	Manual colour mixing, blue value 0% to 100% brightness
	A000-A255	Manual colour mixing, white value 0% to 100% brightness
	5000-5255	Strobe setting for manual colour mixing mode, slow to fast
SYn	SY-A	Synchronised auto mode, 50 1-599 speed adjustment, slow to fast
	SY-n	Synchronised sound activate mode
dIH	3Ch	DMX 3 channel mode, 00 1-5 12 start address setting
	6Ch	DMX 6 channel mode, 00 1-5 12 start address setting
	28Ch	DMX 28 channel mode, 00 1-5 12 start address setting
SLA	00 1-255	Slave mode, 00 1-255 ID value
SYS	n-En	Enable as master for synchronised set up
	U-En	Enable wireless function for foot control
	tEst	Unit self function test
	rEst	Reset to initial factory setting

## Operation:

The PB-COB can operate in stand-alone, master, slave or DMX modes.

### Stand-alone:

For stand-alone display show, Auto, sound-activated or manual colour mode may be selected. Simply select **AU** (auto mode) or **SoU** (sound activate mode) from the menu and select if you want PAR cans only (**APXX** or **SPXX**), Flash only (**AFXX** or **SFXX**) or PAR cans and flash (**AiXX** or **SiXX**). For auto modes, speed (**50 I** to **599**) can be set after the preferred mode is confirmed. For manual colour modes, select **CoL** and enter each RGBW colour mixing value and strobe speed, if required.

### Master/Slave:

More than one units of PB-COB can be operated together via a DMX link. To set a unit as master, select **595** from the menu follow by **i-En**, select **4E5** to enable unit as master. In addition to mirroring the master unit effect, all slave units can also perform a sequential chase. In order to perform the sequential chase correctly, all slave units need to have their ID value set accordingly. The master unit will recognize slave units in order of ID value, for example a setup of four slave units with address value of 1,2,3,4 with be the same as 1,12,24,56.

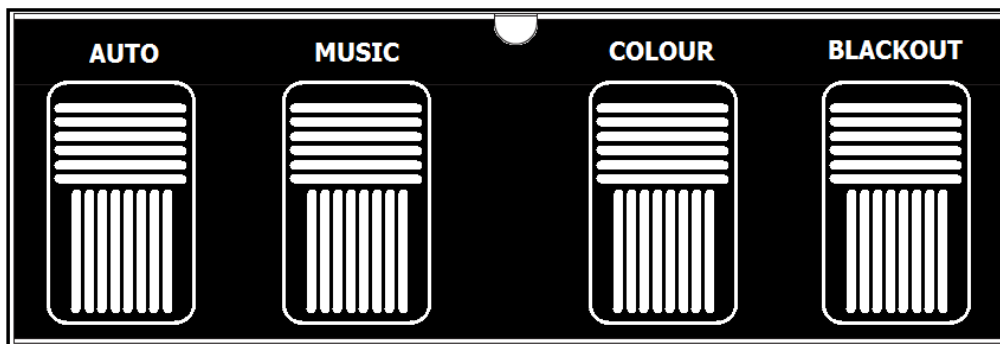
### Synchronise mode:

Two units of PB-COB can be synchronised with each other via a DMX connection. When under synchronised mode, both units will share the same speed, pattern or sound activation but display a different light show. To enter synchronised mode, simply select **59n** from the menu and choose from **59-A** for synchronized auto mode or **59-i** for synchronized sound-activated mode.

### DMX mode:

The PB-COB can be controlled by DMX signal, simply connect the DMX signal source to the DMX in at the rear of the unit via a balanced XLR lead. Extra fixtures can be controlled by the same DMX signal by looping through the DMX out on the PB-COB. To enter DMX mode, select **d-iH** from the menu and choose which channel mode you wish to use (3, 6 or 28 channel mode). Confirm the correct DMX start address. A flashing address value indicates that the unit has correctly entered DMX mode and is awaiting a DMX signal. The DMX address value will remain lit as soon as DMX signal is detected from the DMX connection.

## Foot Controller:



PB-COB uses wireless technology to allow wire-free control from the foot controller. This greatly increases the flexibility for light set up and controlling, great for mobile gigs and performances.

Wireless foot control is powered by a single A23 cell. The battery compartment is located at the bottom of the foot controller (a Philips tip screwdriver is required to open the compartment).

To enable the wireless function on the PB-COB unit, select **595 > U-En** from the menu and select yes to confirm. Make sure both antennas are pointed upward from the foot controller and from the PB-COB unit. Now the PB-COB is ready to be controlled by the foot controller.

**AUTO** – Press to cycle through various preset auto programs, cycling through **AP01 > AP01 > AP01 > AP02 > AP02 > AP02 ...** etc

**MUSIC** – Press to cycle through various preset sound to light programs, cycling through **SP01 > SP01 > SP01 > SP02 > SP02 > SP02 ...** etc

**COLOUR** – Press to cycle through 15 preset static colours

**BLACKOUT** – press to enter and exit blackout mode

## DMX channel value reference:

3 channel mode (channel 2/3 functions is depend on the value of channel 1):

Channel	DMX Value	Function
Channel 1	000-009	Black out
	010-050	PAR only auto show
	051-090	Flash only auto show
	091-130	PAR and flash auto show
	131-170	PAR only auto show
	171-210	Flash only auto show
	211-255	PAR and flash auto show
Channel 2 (channel 1 at 010-050)	000-014	PAR only auto program 1
	015-029	PAR only auto program 2
	030-044	PAR only auto program 3
	045-059	PAR only auto program 4
	060-074	PAR only auto program 5
	075-089	PAR only auto program 6
	090-104	PAR only auto program 7
	105-119	PAR only auto program 8
	120-134	PAR only auto program 9
	135-149	PAR only auto program 10
	150-164	PAR only auto program 11
	165-179	PAR only auto program 12
	180-194	PAR only auto program 13
	195-209	PAR only auto program 14
	210-224	PAR only auto program 15
	225-239	PAR only auto program 16
	240-255	PAR only auto program 17
Channel 2 (channel 1 at 051-090)	000-024	Flash only auto program 1
	025-049	Flash only auto program 2
	050-074	Flash only auto program 3
	075-099	Flash only auto program 4
	100-124	Flash only auto program 5
	125-149	Flash only auto program 6
	150-174	Flash only auto program 7
	175-199	Flash only auto program 8
	200-224	Flash only auto program 9
	225-255	Flash only auto program 10
Channel 2 (channel 1 at 091-130)	000-099	PAR and flash auto program 1
	100-199	PAR and flash auto program 2
	200-255	PAR and flash auto program 3

Channel 2 (channel 1 at 131-170)	000-014	PAR only auto program 1
	015-029	PAR only auto program 2
	030-044	PAR only auto program 3
	045-059	PAR only auto program 4
	060-074	PAR only auto program 5
	075-089	PAR only auto program 6
	090-104	PAR only auto program 7
	105-119	PAR only auto program 8
	120-134	PAR only auto program 9
	135-149	PAR only auto program 10
	150-164	PAR only auto program 11
	165-179	PAR only auto program 12
	180-194	PAR only auto program 13
	195-209	PAR only auto program 14
	210-224	PAR only auto program 15
	225-239	PAR only auto program 16
	240-255	PAR only auto program 17
Channel 2 (channel 1 at 171-210)	000-024	Flash only auto program 1
	025-049	Flash only auto program 2
	050-074	Flash only auto program 3
	075-099	Flash only auto program 4
	100-124	Flash only auto program 5
	125-149	Flash only auto program 6
	150-174	Flash only auto program 7
	175-199	Flash only auto program 8
	200-224	Flash only auto program 9
	225-255	Flash only auto program 10
Channel 2 (channel 1 at 211-255)	000-099	PAR and flash auto program 1
	100-199	PAR and flash auto program 2
	200-255	PAR and flash auto program 3
Channel 3 (Channel 1 at 010-130)	000-255	Auto program speed, slow to fast

6 channel mode:

Channel	DMX Value	Function
Channel 1	000-255	PAR Red dimmer 0-100%
Channel 2	000-255	PAR Green dimmer 0-100%
Channel 3	000-255	PAR Blue dimmer 0-100%
Channel 4	000-255	PAR White dimmer 0-100%
Channel 5	000-191	Flash dimmer 0-100%
	192-200	Sound to light flash
	201-249	Continuous flash
	250-255	All on
Channel 6	000-255	Flash speed 0-100%

28 channel mode:

<b>Channel</b>	<b>DMX Value</b>	<b>Function</b>
Channel 1	000-255	PAR 1 Red dimmer 0-100%
Channel 2	000-255	PAR 1 Green dimmer 0-100%
Channel 3	000-255	PAR 1 Blue dimmer 0-100%
Channel 4	000-255	PAR 1 White dimmer 0-100%
Channel 5	000-255	PAR 1 Master dimmer 0-100%
Channel 6	000-255	PAR 1 Strobe speed 0-100%
Channel 7	000-255	PAR 2 Red dimmer 0-100%
Channel 8	000-255	PAR 2 Green dimmer 0-100%
Channel 9	000-255	PAR 2 Blue dimmer 0-100%
Channel 10	000-255	PAR 2 White dimmer 0-100%
Channel 11	000-255	PAR 2 Master dimmer 0-100%
Channel 12	000-255	PAR 2 Strobe speed 0-100%
Channel 13	000-255	PAR 3 Red dimmer 0-100%
Channel 14	000-255	PAR 3 Green dimmer 0-100%
Channel 15	000-255	PAR 3 Blue dimmer 0-100%
Channel 16	000-255	PAR 3 White dimmer 0-100%
Channel 17	000-255	PAR 3 Master dimmer 0-100%
Channel 18	000-255	PAR 3 Strobe speed 0-100%
Channel 19	000-255	PAR 4 Red dimmer 0-100%
Channel 20	000-255	PAR 4 Green dimmer 0-100%
Channel 21	000-255	PAR 4 Blue dimmer 0-100%
Channel 22	000-255	PAR 4 White dimmer 0-100%
Channel 23	000-255	PAR 4 Master dimmer 0-100%
Channel 24	000-255	PAR 4 Strobe speed 0-100%
Channel 25	000-255	Flash 1 speed 0-100%
Channel 26	000-255	Flash 2 speed 0-100%
Channel 27	000-255	Flash 3 speed 0-100%
Channel 28	000-255	Flash 4 speed 0-100%



## Specifications

Power	110-240Vac, 50/60Hz (IEC)
Power consumption	130W
Fuse rating	T3.15A
LED type	4 x 30W RGBW COB LED and 4 x 1W white LED
Beam angle	14-36°
DMX channels	3, 6 or 28
Height adjustment	1.5 - 2.5m
Dimensions : PAR bar	1023 x 215 x 71mm
Weight	11.2kg
LED safety standard	BSEN62471:2008

## Troubleshooting

No power (mains)	Check mains voltage is correct and outlet is switched on
	Check IEC lead and fuse (if fuse continually blows, refer to your dealer)
No light output	Check control panel mode settings (standby, slave, sensitivity, DMX)
	Check DMX settings from controller (dimmer levels, blackout etc.) Check foot control ensure unit not in blackout mode
No strobe output	Check strobe settings on control panel or from DMX controller
	Check Mic sensitivity is not set to minimum
Unresponsive to DMX	Check DMX connection and leads
	Check that unit is in DMX mode and ensure DMX address remains lit to confirm receiving DMX signal
	Check DMX controller is not set to blackout
	Check DMX controller is on correct fixture/page
	Check master dimmer value Check correct DMX address is set
Overheating/ cutting out	Check that the unit is not too close to a heat source
Foot control not working	Check wireless function is enabled on the light unit
	Check control has battery inserted and battery is not flat
	Check antennas on both light unit and control are lifted
	Check the unit and control is not located next to wireless router as interference may occur



This product is classed as Electrical or Electronic equipment and should not be disposed with other household or commercial waste at the end of its useful life. The goods must be disposed of according to your local council guidelines.