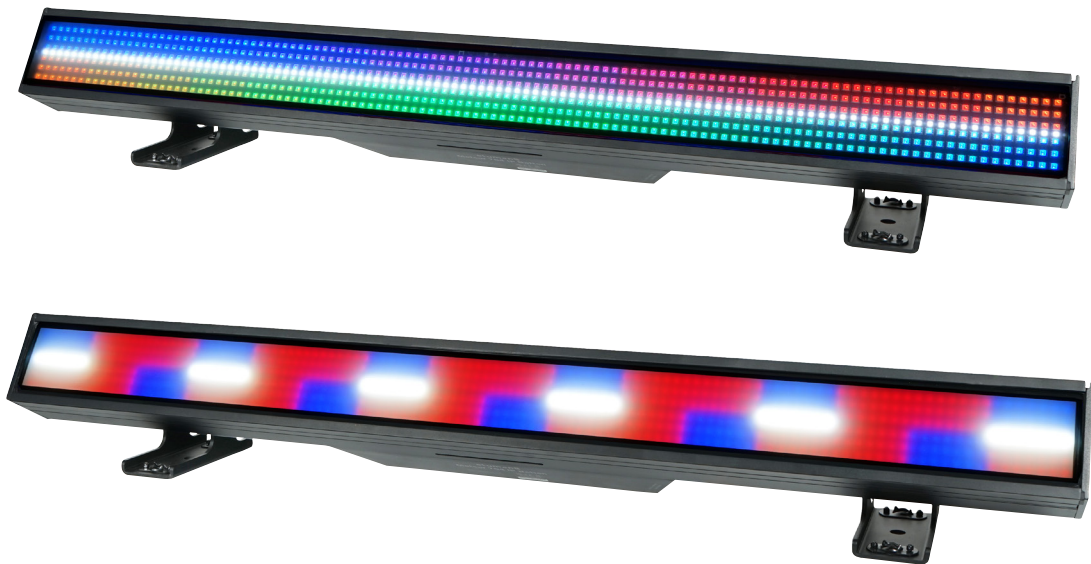


# elumen8

## Meteor 784 IP Batten

### User Manual



Order code: ELUM056

**WARNING****FOR YOUR OWN SAFETY, PLEASE READ THIS USER MANUAL CAREFULLY BEFORE YOUR INITIAL START-UP!**

- Before your initial start-up, please make sure that there is no damage caused during transportation.
- Should there be any damage, consult your dealer and do not use the equipment.
- To maintain the equipment in good working condition and to ensure safe operation, it is necessary for the user to follow the safety instructions and warning notes written in this manual.
- Please note that damages caused by user modifications to this equipment are not subject to warranty.

**IMPORTANT:**

**The manufacturer will not accept liability for any resulting damages caused by the non-observance of this manual or any unauthorised modification to the equipment.**

- Never let the power cable come into contact with other cables. Handle the power cable and all mains voltage connections with particular caution!
- Never remove warning or informative labels from the unit.
- Do not open the equipment and do not modify the unit.
- Do not connect this equipment to a dimmer pack.
- Do not switch the equipment on and off in short intervals, as this will reduce the system's life.
- Do not expose to flammable sources, liquids or gases.
- Always disconnect the power from the mains when equipment is not in use or before cleaning! Only handle the power-cable by the plug. Never pull out the plug by pulling the power-cable.
- Make sure that the available mains supply voltage is between 100~240V AC, 50/60Hz.
- Make sure that the power cable is never crimped or damaged. Check the equipment and the power cable periodically.
- If the equipment is dropped or damaged, disconnect the mains power supply immediately and have a qualified engineer inspect the equipment before operating again.
- If your product fails to function correctly, stop use immediately. Pack the unit securely (preferably in the original packing material), and return it to your Pro Light dealer for service.
- Only use fuses of same type and rating.
- Repairs, servicing and power connection must only be carried out by a qualified technician. **THIS UNIT CONTAINS NO USER SERVICEABLE PARTS.**
- This lighting fixture is for professional use only - it is not designed for or suitable for household use. The product must be installed by a qualified technician in accordance with local territory regulations. The safety of the installation is the responsibility of the installer. The fixture presents risks of severe injury or death due to fire hazards, electric shock and falls.
- Warning! Risk Group 2 LED product according to EN 62471. Do not view the light output with optical instruments or any device that may concentrate the beam.
- **WARRANTY:** One year from date of purchase.

**OPERATING DETERMINATIONS**

If this equipment is operated in any other way, than those described in this manual, the product may suffer damage and the warranty becomes void. Incorrect operation may lead to danger e.g: short-circuit, burns and electric shocks etc.

Do not endanger your own safety and the safety of others!

Incorrect installation or use can cause serious damage to people and/or property.

**Please note:** These fixtures are intended for stage lighting and entertainment applications only, and are not intended for extended periods of use, including but not limited to house-light, industrial or architectural applications and should only be operated with short duty cycles.

### Meteor 784 IP Batten

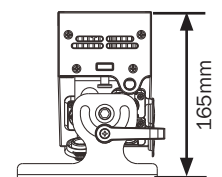
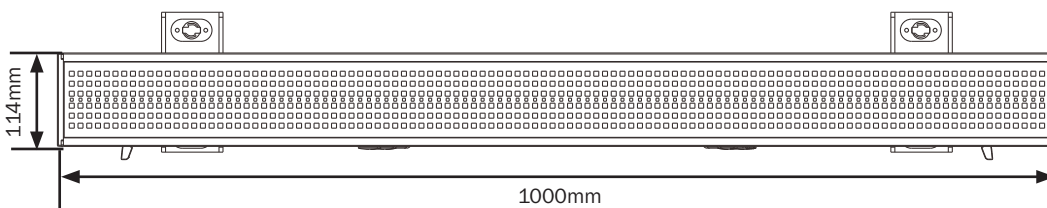
Generating intense white strobing and multicoloured pixel zone effects the Meteor 784 IP Batten features a central strip of 112 x 3W cool white SMD LEDs, surrounded on both sides by a total of 672 x 1.5W RGB colour mixing SMD LEDs. All the LEDs are divided into independently controllable zones (16 white and 32 colour). With a wide beam angle the batten is ideally suited to concerts, festival stages and installations. A clever twist to this fixture is the ability to switch the front glass to a frosted output. The Intelliglass Technology® developed on this fixture allows the user to simply switch a DMX channel and alternate between clear and frost effects eliminating the need for additional frost filters. A quick-positioning twist-lock mechanism on two sides ensures the fixtures always line up when used in multiples, and the IP65 rated housing weighs in at only 5.9kg.

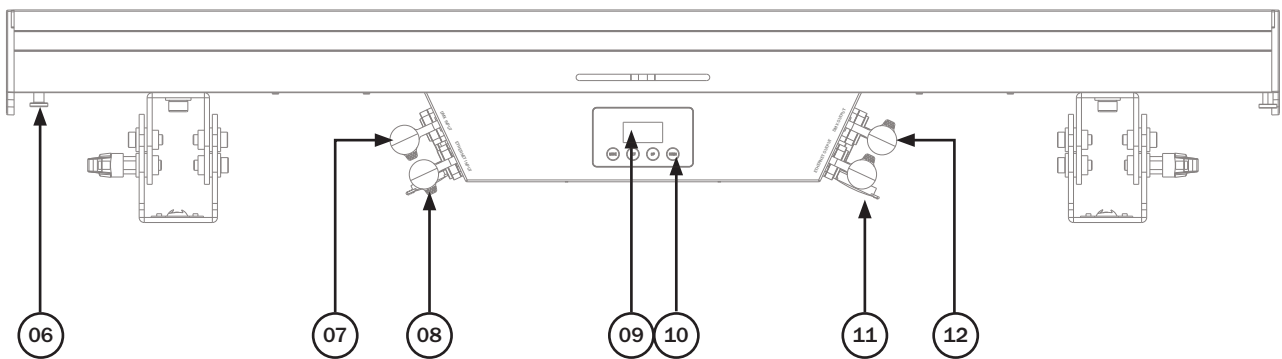
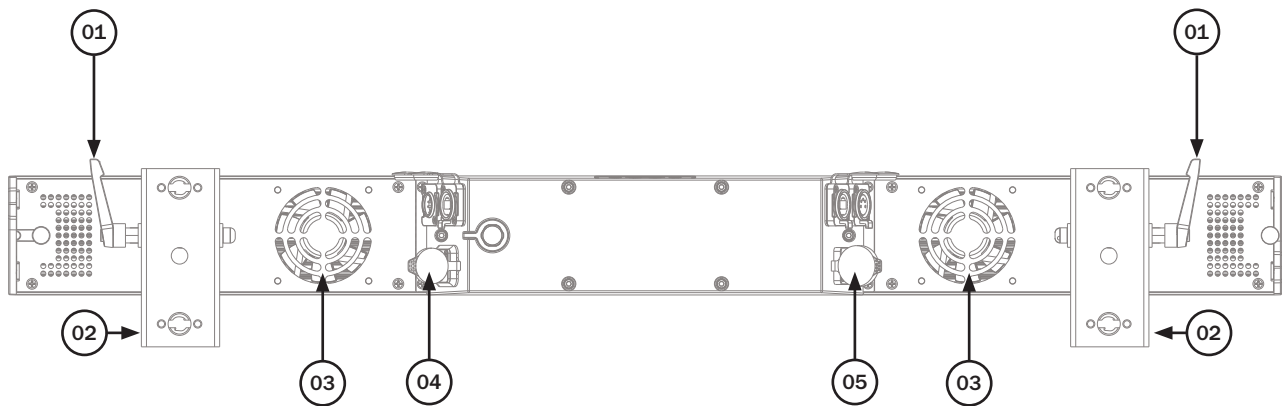


- 2 year warranty
- 672 x 1.5W SMD LEDs (RGB) plus 112 x 3W SMD LEDs (CW)
- RGB beam angle: 101° (field angle: 149°)
- CW beam angle: 108° (field angle: 152°)
- Pixel zone mapping: 32 x RGB LED zones and 16 x CW LED zones can be controlled individually
- Intelliglass Technology® allows the user to simply alternate between clear and frost effects eliminating the need for additional frost filters
- Control protocols: DMX, Art-net and sACN
- DMX channels: 7/15/17/21/33/39/65/68/70/112/117 or 121 selectable
- 0 - 100% dimming
- 4 dimming curves: Linear, square law, inverse square law and S-curve
- Variable strobe
- Supplied with installation brackets
- Multiple units can be seamlessly jointed tool-free
- 4 button menu with OLED display
- Bracket allows for multiple rigging or floor standing applications
- Quick release omega clamps included
- powerCON TRUE1 input/output
- IP rated 5-Pin XLR input/output
- etherCON input/output
- Fan cooled



Specifications	Meteor 784 IP Batten
Power consumption	420W
Power supply	100~240V, 50/60Hz
IP rating	IP65
Dimensions	170 x 1000 x 114mm
Weight	5.9kg
Order code	ELUM056



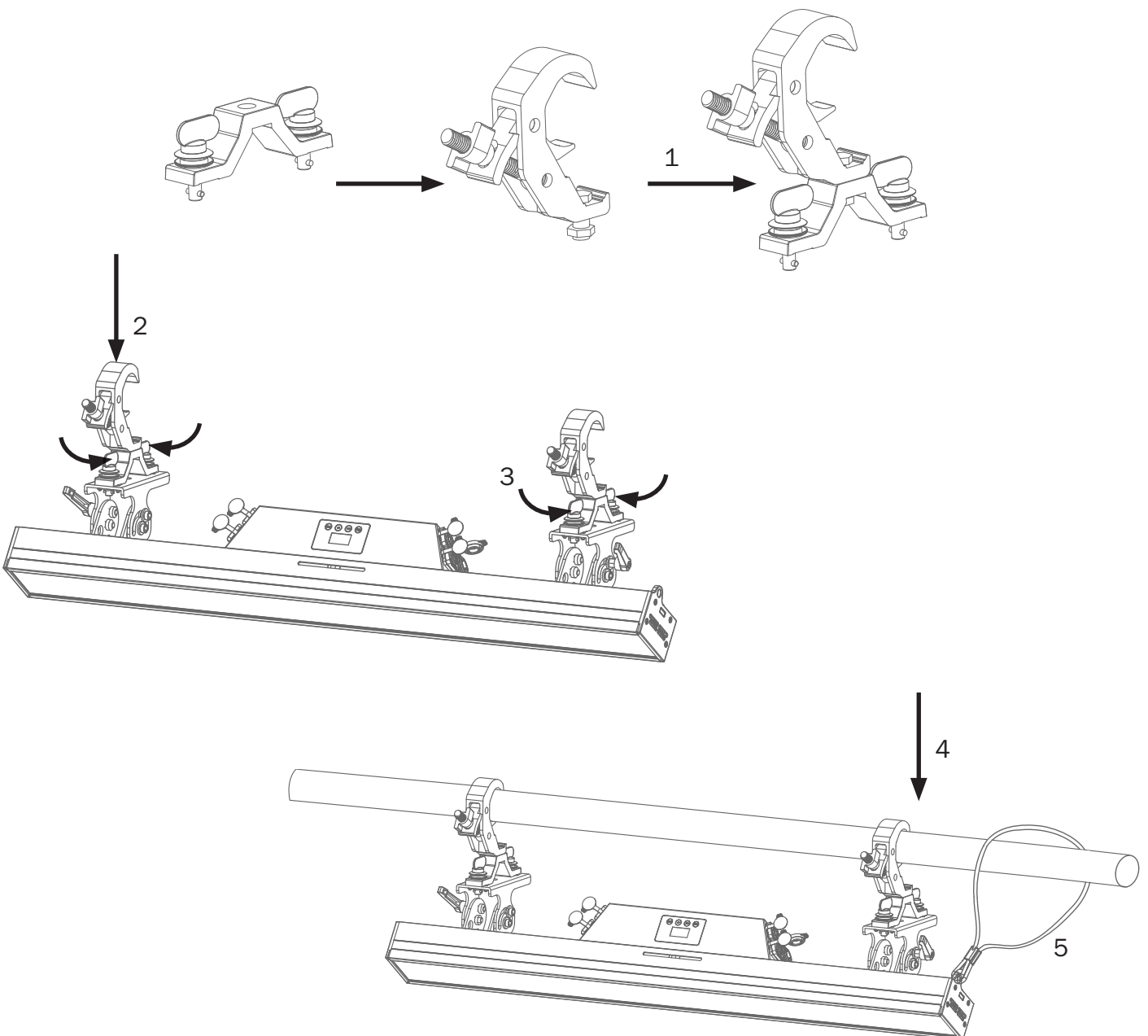


- |                               |                               |                                |
|-------------------------------|-------------------------------|--------------------------------|
| 01 - Bracket tightening knobs | 05 - powerCON TRUE1 output    | 09 - OLED display              |
| 02 - Mounting brackets        | 06 - Locking pin              | 10 - Function buttons          |
| 03 - Fans                     | 07 - IP rated 5-Pin XLR input | 11 - etherCON output           |
| 04 - powerCON TRUE1 input     | 08 - etherCON input           | 12 - IP rated 5-Pin XLR output |

In the box: **1 x fixture,**  
**2 x omega clamps**  
**& 1 x power cable**

### Installation:

1. Fasten each clamp to the omega clamps with a bolt and lock nut through the hole in the omega clamp.
2. Align and insert the omega clamp quick-lock fasteners with the respective holes on the bottom of the unit.
3. Tighten both locking fasteners clockwise on each omega clamp ensuring they're fully secure.
4. Mount the fixture onto your truss system via the clamps and tighten to ensure secure.
5. Pull the safety cable through the safety cable holes located on the metal base plate on the underside of the fixture and around the truss.



**IMPORTANT! PLEASE NOTE:** The OLED display for this fixture has a menu locking function where after 30 seconds of inactivity it will lock. To unlock the menu hold the “**MODE**” and “**SET**” buttons for 3 seconds.

Main Menu	Sub Menu	Options/Values	Description
1. DMX	Address	001-512	DMX Address Setting
	Channels	7	DMX Channel Modes
		15	
		17	
		21	
		33	
		39	
		65	
		68	
		70	
		112	
		117	
121			
2. ARTNET/sACN	1. 192.168.001.xxx	192.168.001.xxx	IP Address
	2. 255.255.255.000	255.255.255.000	Subnet Mask
	3. Net	000-127	Net
	4. Sub-Net	00-15	Sub-net
	4. Universe	00-15	Universe
	5. sACN-Uni	1-63999	sACN Universe
3. Slave	Yes		Slave Mode
	No		
4. AUTO	Yes		Auto Mode
	No		
5. Program	Mode	1-35	Built-in program
	Colour (Mode:1)	1-38	Static colour mode
	Speed (Mode:2-35)	1-100 ( <b>81</b> )	Speed
	Strobe:	0-99	Strobe
6. Dimmer	Red	000-255	Manual Dimming mode
	Green	000-255	
	Blue	000-255	
	S-White	000-255	
7. Glass fog	000-255		Glass Frost

Main Menu	Sub Menu	Options/Values	Description
8. Settings	1. Curves Select	1-4 (2)	Dimming Curve Setting
	2. Dimmer Speed	<b>Fast</b>	Dimming Speed Setting
		Smooth	
	3. Pixel Dir	<b>Normal</b>	Pixel Direction
		Inverted	
	4. Display	<b>Normal</b>	Display setting
		Inverted	
	5. DMX Fail	<b>Blackout</b>	DMX Fail Setting
		Hold	
		Manual	
		Program	
	6. Fan Mode	<b>Auto</b>	Fan Speed Setting
		High	
		Slow	
7. Backlight Time	5s	Backlight Time setting	
	10s		
	20s		
	<b>30s</b>		
	ON		
8. Lock	<b>On</b>	Lock Screen	
	Off		
9. Factory	Yes	Restore Factory Setting	
	<b>No</b>		
9. Information	Version: x.x		Fixture Information
	T1:xx °C T2:xx °C		
	Work Time:xxxxxh		
	UID: 0x09A5-xxxxxxx		
	MAC:xxxxxxxxxxx		

Channel												Value	Function
7 CH	15 CH	17 CH	21 CH	33 CH	39 CH	65 CH	68 CH	70 CH	112 CH	117 CH	121 CH		
1	1	-	1	-	-	-	-	-	-	-	-	000-255	Red dimmer (0-100%)
2	2	-	2	-	-	-	-	-	-	-	-	000-255	Green dimmer (0-100%)
3	3	-	3	-	-	-	-	-	-	-	-	000-255	Blue dimmer (0-100%)
4	4	-	-	-	-	-	-	-	-	-	-	000-255	White Strobe (0-100%)
5	6	-	5	-	25	-	1	1	-	1	1	000-255	RGB dimmer (0-100%)
6	7	-	6	-	26	-	-	-	-	-	-	000-255	RGB dimmer fine (0-100%)
-	-	-	-	-	-	-	2	2	-	-	-	<b>RGB Strobe Effect</b>	
												000-007	No function
												008-127	Strobe
												128-130	No function
												131-250	Random
												251-255	No function
-	8	-	7	-	27	-	-	-	-	2	2	000-255	RGB strobe duration
-	9	-	8	-	28	-	-	-	-	3	3	<b>RGB Strobe Rate</b>	
												000-006	No function
												007-255	Speed (slow-fast)
-	10	-	9	-	29	-	-	-	-	4	4	<b>RBG Strobe Mode</b>	
												000-005	No function
												006-050	Ramp up
												051-100	Ramp down
												101-150	Ramp up-down
												151-200	Lightning
201-255	Random												
5	6	-	13	-	34	-	1	-	-	1	5	000-255	White strobe dimmer (0-100%)
6	7	-	14	-	35	-	-	-	-	-	-	000-255	White strobe dimmer fine (0-100%)
-	-	-	-	-	-	-	3	3	-	-	-	<b>White Strobe Effect</b>	
												000-007	No function
												008-127	Strobe
												128-130	No function
												131-250	Random
												251-255	No function
-	8	-	15	-	36	-	-	-	-	2	6	000-255	White strobe duration
-	9	-	16	-	37	-	-	-	-	3	7	<b>White Strobe Rate</b>	
												000-006	No function
												007-255	Speed (slow-fast)
-	10	-	17	-	38	-	-	-	-	4	8	<b>White Strobe Mode</b>	
												000-005	No function
												006-050	Ramp up
												051-100	Ramp down



Channel												Value	Function
7 CH	15 CH	17 CH	21 CH	33 CH	39 CH	65 CH	68 CH	70 CH	112 CH	117 CH	121 CH		
-	10	-	17	-	38	-	-	-	-	4	8	<b>White Strobe Mode (cont.)</b>	
												101-150	Ramp up-down
												151-200	Lightning
												201-255	Random
												<b>Colour Macro</b>	
												000-010	No function
												011-016	R(255) G(000) B(000)
												017-022	R(255) G(080) B(000)
												023-028	R(255) G(008) B(000)
												029-034	R(255) G(052) B(000)
												035-040	R(255) G(063) B(000)
												041-046	R(247) G(214) B(000)
												047-052	R(230) G(215) B(000)
												053-058	R(225) G(232) B(000)
												059-064	R(210) G(255) B(000)
												065-070	R(045) G(094) B(000)
												071-076	R(008) G(226) B(000)
												077-082	R(080) G(232) B(000)
												083-088	R(075) G(255) B(000)
												089-094	R(032) G(223) B(000)
												095-100	R(029) G(255) B(000)
-	5	-	4	-	-	-	-	-	-	-	-	101-106	R(000) G(255) B(000)
												107-112	R(000) G(255) B(094)
												113-118	R(006) G(255) B(043)
												119-124	R(015) G(255) B(065)
												125-130	R(205) G(255) B(099)
												131-136	R(219) G(232) B(075)
												137-142	R(213) G(220) B(222)
												143-148	R(037) G(255) B(227)
												149-154	R(049) G(246) B(255)
												155-160	R(000) G(255) B(234)
												161-166	R(000) G(099) B(255)
												167-172	R(000) G(078) B(255)
												173-178	R(000) G(000) B(255)
												179-184	R(040) G(001) B(255)
												185-190	R(226) G(075) B(226)
												191-196	R(255) G(038) B(219)
												197-202	R(255) G(059) B(013)
												203-208	R(255) G(000) B(044)

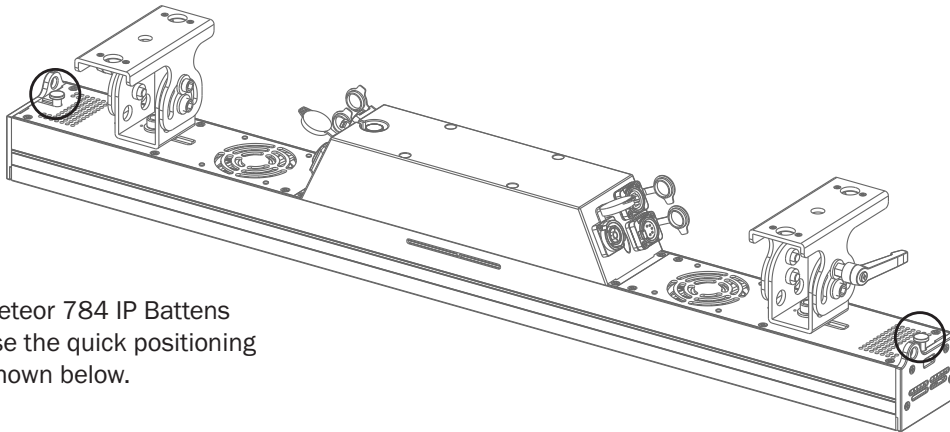
Channel												Value	Function
7 CH	15 CH	17 CH	21 CH	33 CH	39 CH	65 CH	68 CH	70 CH	112 CH	117 CH	121 CH		
-	5	-	4	-	-	-	-	-	-	-	-	<b>Colour Macro (cont.)</b>	
												209-214	R(214) G(034) B(048)
												215-220	R(255) G(235) B(052)
												221-226	R(255) G(200) B(040)
												227-232	R(255) G(050) B(030)
												233-255	R(255) G(255) B(255)
-	11	-	10	-	-	-	-	-	-	-	-	<b>RBG Macro</b>	
												000-021	No function
												022-030	Macro 1
												031-039	Macro 2
												040-048	Macro 3
												049-057	Macro 4
												058-066	Macro 5
												067-075	Macro 6
												076-084	Macro 7
												085-093	Macro 8
												094-102	Macro 9
												103-111	Macro 10
												112-120	Macro 11
												121-129	Macro 12
												130-138	Macro 13
												139-147	Macro 14
												148-156	Macro 15
												157-165	Macro 16
												166-174	Macro 17
												175-183	Macro 18
												184-192	Macro 19
												193-201	Macro 20
												202-210	Macro 21
												211-219	Macro 22
												220-228	Macro 23
												229-237	Macro 24
238-246	Macro 25												
247-255	Macro 26												
-	13	-	11	-	-	-	-	-	-	-	-	000-255	RGB Macro speed (slow-fast)
-	12	-	18	-	-	-	-	-	-	-	-	<b>White Macro</b>	
-	-	-	-	-	-	-	-	-	-	-	-	000-090	No function
												091-105	Macro 1
												106-120	Macro 2

Channel												Value	Function
7 CH	15 CH	17 CH	21 CH	33 CH	39 CH	65 CH	68 CH	70 CH	112 CH	117 CH	121 CH		
-	12	-	18	-	-	-	-	-	-	-	-	<b>White Macro (cont.)</b>	
												121-135	Macro 3
												136-150	Macro 4
												151-165	Macro 5
												166-180	Macro 6
												181-195	Macro 7
												196-210	Macro 8
												211-225	Macro 9
												226-240	Macro 10
												241-255	Macro 11
-	13	-	19	-	-	-	-	-	-	-	-	000-255	White macro speed (slow-fast)
-	14	-	12	-	-	-	-	69	-	-	-	000-255	RGB Fade (fast-slow)
-	14	-	20	-	-	-	-	70	-	-	-	000-255	White fade (fast-slow)
7	15	17	21	33	39	65	4	4	-	5	9	000-255	Glass frost (0-100%)
		1		1	1	1	5	5	1	6	10	000-255	Red 1 dimmer (0-100%)
		2		2	2	2	6	6	2	7	11	000-255	Green 1 dimmer (0-100%)
		3		3	3	3	7	7	3	8	12	000-255	Blue 1 dimmer (0-100%)
		1		1	1	4	8	8	4	9	13	000-255	Red 2 dimmer (0-100%)
		2		2	2	5	9	9	5	10	14	000-255	Green 2 dimmer (0-100%)
		3		3	3	6	10	10	6	11	15	000-255	Blue 2 dimmer (0-100%)
		1		4	1	7	11	11	7	12	16	000-255	Red 3 dimmer (0-100%)
		2		5	2	8	12	12	8	13	17	000-255	Green 3 dimmer (0-100%)
		3		6	3	9	13	13	9	14	18	000-255	Blue 3 dimmer (0-100%)
		1		4	1	10	14	14	10	15	19	000-255	Red 4 dimmer (0-100%)
		2		5	2	11	15	15	11	16	20	000-255	Green 4 dimmer (0-100%)
		3		6	3	12	16	16	12	17	21	000-255	Blue 4 dimmer (0-100%)
		4		7	4	13	17	17	13	18	22	000-255	Red 5 dimmer (0-100%)
		5		8	5	14	18	18	14	19	23	000-255	Green 5 dimmer (0-100%)
		6		9	6	15	19	19	15	20	24	000-255	Blue 5 dimmer (0-100%)
		4		7	4	16	20	20	16	21	25	000-255	Red 6 dimmer (0-100%)
		5		8	5	17	21	21	17	22	26	000-255	Green 6 dimmer (0-100%)
		6		9	6	18	22	22	18	23	27	000-255	Blue 6 dimmer (0-100%)
		4		10	4	19	23	23	19	24	28	000-255	Red 7 dimmer (0-100%)
		5		11	5	20	24	24	20	25	29	095-100	Green 7 dimmer (0-100%)
		6		12	6	21	25	25	21	26	30	101-106	Blue 7 dimmer (0-100%)
		4		10	4	22	26	26	22	27	31	107-112	Red 8 dimmer (0-100%)
		5		11	5	23	27	27	23	28	32	113-118	Green 8 dimmer (0-100%)
		6		12	6	24	28	28	24	29	33	119-124	Blue 8 dimmer (0-100%)
		7		13	7	25	29	29	25	30	34	125-130	Red 9 dimmer (0-100%)

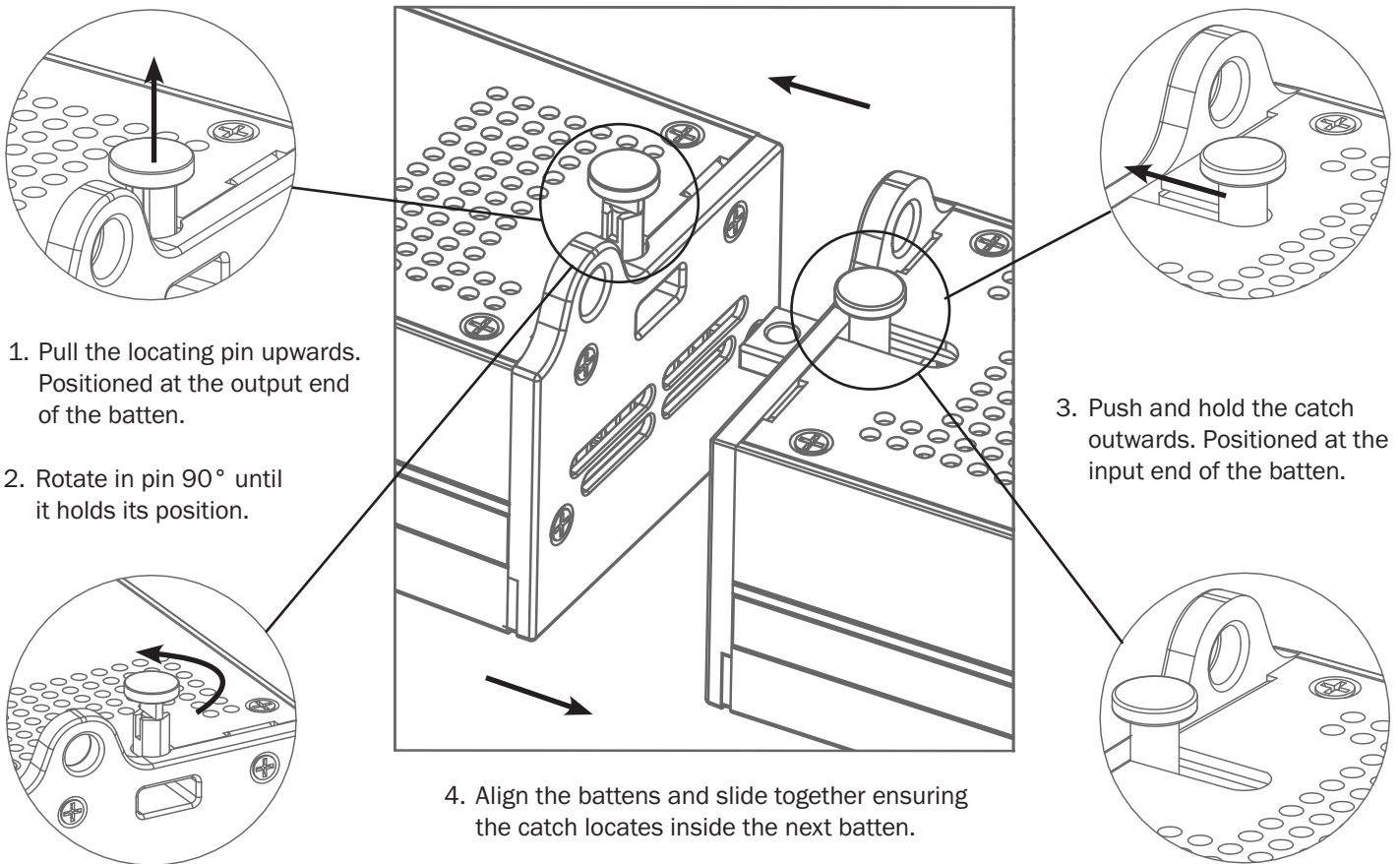
Channel												Value	Function
7 CH	15 CH	17 CH	21 CH	33 CH	39 CH	65 CH	68 CH	70 CH	112 CH	117 CH	121 CH		
-	-	8	-	14	8	26	30	30	26	31	35	131-136	Green 9 dimmer (0-100%)
-	-	9	-	15	9	27	31	31	27	32	36	000-255	Blue 9 dimmer (0-100%)
-	-	7	-	13	7	28	32	32	28	33	37	000-255	Red 10 dimmer (0-100%)
-	-	8	-	14	8	29	33	33	29	34	38	000-255	Green 10 dimmer (0-100%)
-	-	9	-	15	9	30	34	34	30	35	39	000-255	Blue 10 dimmer (0-100%)
-	-	7	-	16	7	31	35	35	31	36	40	000-255	Red 11 dimmer (0-100%)
-	-	8	-	17	8	32	36	36	32	37	41	000-255	Green 11 dimmer (0-100%)
-	-	9	-	18	9	33	37	37	33	38	42	000-255	Blue 11 dimmer (0-100%)
-	-	7	-	16	7	34	38	38	34	39	43	000-255	Red 12 dimmer (0-100%)
-	-	8	-	17	8	35	39	39	35	40	44	000-255	Green 12 dimmer (0-100%)
-	-	9	-	18	9	36	40	40	36	41	45	000-255	Blue 12 dimmer (0-100%)
-	-	10	-	19	10	37	41	41	37	42	46	000-255	Red 13 dimmer (0-100%)
-	-	11	-	20	11	38	42	42	38	43	47	000-255	Green 13 dimmer (0-100%)
-	-	12	-	21	12	39	43	43	39	44	48	000-255	Blue 13 dimmer (0-100%)
-	-	10	-	19	10	40	44	44	40	45	49	000-255	Red 14 dimmer (0-100%)
-	-	11	-	20	11	41	45	45	41	46	50	000-255	Green 14 dimmer (0-100%)
-	-	12	-	21	12	42	46	46	42	47	51	000-255	Blue 14 dimmer (0-100%)
-	-	10	-	22	10	43	47	47	43	48	52	000-255	Red 15 dimmer (0-100%)
-	-	11	-	23	11	44	48	48	44	49	53	000-255	Green 15 dimmer (0-100%)
-	-	12	-	24	12	45	49	49	45	50	54	000-255	Blue 15 dimmer (0-100%)
-	-	10	-	22	10	46	50	50	46	51	55	000-255	Red 16 dimmer (0-100%)
-	-	11	-	23	11	47	51	51	47	52	56	000-255	Green 16 dimmer (0-100%)
-	-	12	-	24	12	48	52	52	48	53	57	000-255	Blue 16 dimmer (0-100%)
-	-	1	-	1	13	1	5	5	49	54	58	000-255	Red 17 dimmer (0-100%)
-	-	2	-	2	14	2	6	6	50	55	59	000-255	Green 17 dimmer (0-100%)
-	-	3	-	3	15	3	7	7	51	56	60	000-255	Blue 17 dimmer (0-100%)
-	-	1	-	1	13	4	8	8	52	57	61	000-255	Red 18 dimmer (0-100%)
-	-	2	-	2	14	5	9	9	53	58	62	000-255	Green 18 dimmer (0-100%)
-	-	3	-	3	15	6	10	10	54	59	63	000-255	Blue 18 dimmer (0-100%)
-	-	1	-	4	13	7	11	11	55	60	64	000-255	Red 19 dimmer (0-100%)
-	-	2	-	5	14	8	12	12	56	61	65	000-255	Green 19 dimmer (0-100%)
-	-	3	-	6	15	9	13	13	57	62	66	000-255	Blue 19 dimmer (0-100%)
-	-	1	-	4	13	10	14	14	58	63	67	000-255	Red 20 dimmer (0-100%)
-	-	2	-	5	14	11	15	15	59	64	68	000-255	Green 20 dimmer (0-100%)
-	-	3	-	6	15	12	16	16	60	65	69	000-255	Blue 20 dimmer (0-100%)
-	-	4	-	7	16	13	17	17	61	66	70	000-255	Red 21 dimmer (0-100%)
-	-	5	-	8	17	14	18	18	62	67	71	000-255	Green 21 dimmer (0-100%)
-	-	6	-	9	18	15	19	19	63	68	72	000-255	Blue 21 dimmer (0-100%)
-	-	4	-	7	16	16	20	20	64	69	73	000-255	Red 22 dimmer (0-100%)

Channel												Value	Function
7 CH	15 CH	17 CH	21 CH	33 CH	39 CH	65 CH	68 CH	70 CH	112 CH	117 CH	121 CH		
		5		8	17	17	21	21	65	70	74	000-255	Green 22 dimmer (0-100%)
		6		9	18	18	22	22	66	71	75	000-255	Blue 22 dimmer (0-100%)
		4		10	16	19	23	23	67	72	76	000-255	Red 23 dimmer (0-100%)
		5		11	17	20	24	24	68	73	77	000-255	Green 23 dimmer (0-100%)
		6		12	18	21	25	25	69	74	78	000-255	Blue 23 dimmer (0-100%)
		4		10	16	22	26	26	70	75	79	000-255	Red 24 dimmer (0-100%)
		5		11	17	23	27	27	71	76	80	000-255	Green 24 dimmer (0-100%)
		6		12	18	24	28	28	72	77	81	000-255	Blue 24 dimmer (0-100%)
		7		13	19	25	29	29	73	78	82	000-255	Red 25 dimmer (0-100%)
		8		14	20	26	30	30	74	79	83	000-255	Green 25 dimmer (0-100%)
		9		15	21	27	31	31	75	80	84	000-255	Blue 25 dimmer (0-100%)
		7		13	19	28	32	32	76	81	85	000-255	Red 26 dimmer (0-100%)
		8		14	20	29	33	33	77	82	86	000-255	Green 26 dimmer (0-100%)
		9		15	21	30	34	34	78	83	87	000-255	Blue 26 dimmer (0-100%)
		7		16	19	31	35	35	79	84	88	000-255	Red 27 dimmer (0-100%)
		8		17	20	32	36	36	80	85	89	000-255	Green 27 dimmer (0-100%)
		9		18	21	33	37	37	81	86	90	000-255	Blue 27 dimmer (0-100%)
		7		16	19	34	38	38	82	87	91	000-255	Red 28 dimmer (0-100%)
		8		17	20	35	39	39	83	88	92	000-255	Green 28 dimmer (0-100%)
		9		18	21	36	40	40	84	89	93	000-255	Blue 28 dimmer (0-100%)
		10		19	22	37	41	41	85	90	94	000-255	Red 29 dimmer (0-100%)
		11		20	23	38	42	42	86	91	95	000-255	Green 29 dimmer (0-100%)
		12		21	24	39	43	43	87	92	96	000-255	Blue 29 dimmer (0-100%)
		10		19	22	40	44	44	88	93	97	000-255	Red 30 dimmer (0-100%)
		11		20	23	41	45	45	89	94	98	000-255	Green 30 dimmer (0-100%)
		12		21	24	42	46	46	90	95	99	000-255	Blue 30 dimmer (0-100%)
		10		22	22	43	47	47	91	96	100	000-255	Red 31 dimmer (0-100%)
		11		23	23	44	48	48	92	97	101	000-255	Green 31 dimmer (0-100%)
		12		24	24	45	49	49	93	98	102	000-255	Blue 31 dimmer (0-100%)
		10		22	22	46	50	50	94	99	103	000-255	Red 32 dimmer (0-100%)
		11		23	23	47	51	51	95	100	104	000-255	Green 32 dimmer (0-100%)
		12		24	24	48	52	52	96	101	105	000-255	Blue 32 dimmer (0-100%)
		13		25	30	49	53	53	97	102	106	000-255	Strobe White 1 dimmer (0-100%)
		13		25	30	50	54	54	98	103	107	000-255	Strobe White 2 dimmer (0-100%)
		13		26	30	51	55	55	99	104	108	000-255	Strobe White 3 dimmer (0-100%)
		13		26	30	52	56	56	100	105	109	000-255	Strobe White 4 dimmer (0-100%)
		14		27	31	53	57	57	101	106	110	000-255	Strobe White 5 dimmer (0-100%)
		14		27	31	54	58	58	102	107	111	000-255	Strobe White 6 dimmer (0-100%)
		14		28	31	55	59	59	103	108	112	000-255	Strobe White 7 dimmer (0-100%)

Channel												Value	Function
7 CH	15 CH	17 CH	21 CH	33 CH	39 CH	65 CH	68 CH	70 CH	112 CH	117 CH	121 CH		
-	-	14	-	28	31	56	60	60	104	109	113	000-255	Strobe White 8 dimmer (0-100%)
		15		29	32	57	61	61	105	110	114	000-255	Strobe White 9 dimmer (0-100%)
		15		29	32	58	62	62	106	111	115	000-255	Strobe White 10 dimmer (0-100%)
		15		30	32	59	63	63	107	112	116	000-255	Strobe White 11 dimmer (0-100%)
		15		30	32	60	64	64	108	113	117	000-255	Strobe White 12 dimmer (0-100%)
		16		31	33	61	65	65	109	114	118	000-255	Strobe White 13 dimmer (0-100%)
		16		31	33	62	66	66	110	115	119	000-255	Strobe White 14 dimmer (0-100%)
		16		32	33	63	67	67	111	116	120	000-255	Strobe White 15 dimmer (0-100%)
		16		32	33	64	68	68	112	117	121	000-255	Strobe White 16 dimmer (0-100%)



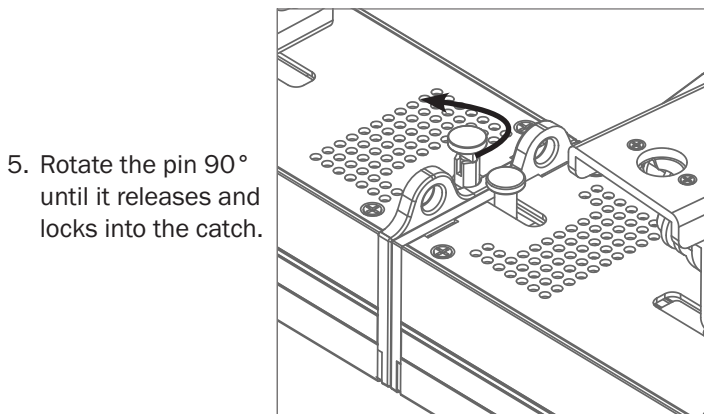
To connect more Meteor 784 IP Batters together you can use the quick positioning twist lock system shown below.



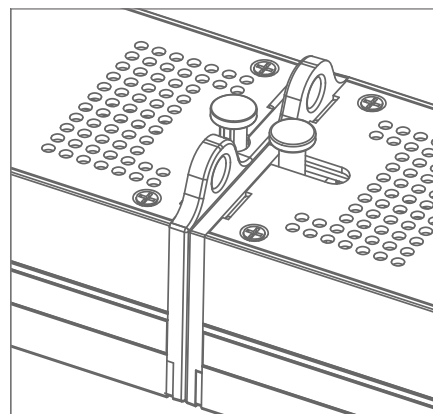
1. Pull the locating pin upwards. Positioned at the output end of the batten.
2. Rotate in pin 90° until it holds its position.

3. Push and hold the catch outwards. Positioned at the input end of the batten.

4. Align the batters and slide together ensuring the catch locates inside the next batten.



5. Rotate the pin 90° until it releases and locks into the catch.



6. Repeat until all batters are joined together.



### Setting the DMX address:

The DMX mode enables the use of a universal DMX controller. Each fixture requires a “start address” from 1- 512. A fixture requiring one or more channels for control begins to read the data on the channel indicated by the start address. For example, a fixture that occupies or uses 7 channels of DMX and was addressed to start on DMX channel 100, would read data from channels: 100, 101, 102, 103, 104, 105 and 106. Choose a start address so that the channels used do not overlap. E.g. the next unit in the chain starts at 107.

### DMX 512:

DMX (Digital Multiplex) is a universal protocol used as a form of communication between intelligent fixtures and controllers. A DMX controller sends DMX data instructions from the controller to the fixture. DMX data is sent as serial data that travels from fixture to fixture via the DATA “IN” and DATA “OUT” XLR terminals located on all DMX fixtures (most controllers only have a data “out” terminal).

### DMX linking:

DMX is a language allowing all makes and models of different manufactures to be linked together and operate from a single controller, as long as all fixtures and the controller are DMX compliant. To ensure proper DMX data transmission, when using several DMX fixtures try to use the shortest cable path possible. The order in which fixtures are connected in a DMX line does not influence the DMX addressing. For example; a fixture assigned to a DMX address of 1 may be placed anywhere in a DMX line, at the beginning, at the end, or anywhere in the middle. When a fixture is assigned a DMX address of 1, the DMX controller knows to send DATA assigned to address 1 to that unit, no matter where it is located in the DMX chain.

### DATA cable (DMX cable) requirements (for DMX operation):

This fixture can be controlled via DMX-512 protocol. The DMX address is set on the back of the unit. Your unit requires either a standard 3-pin or 5-pin XLR connector for data input/output, see images below.



Further DMX cables can be purchased from all good sound and lighting suppliers or Prolight Concepts dealers.

Please quote:	3-Pin:	<b>CABL10 – 2m</b>	<b>CABL11 – 5m</b>	<b>CABL12 – 10m</b>
	5-Pin:	<b>CABL185 – 2m</b>	<b>CABL187 – 5m</b>	<b>CABL188 – 10m</b>

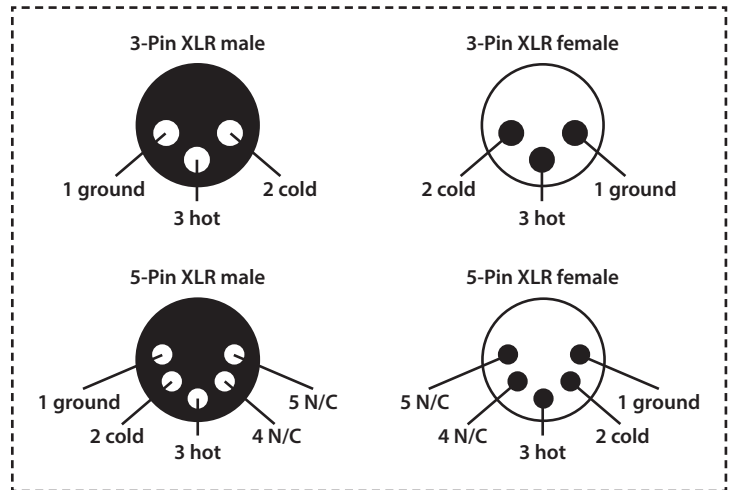
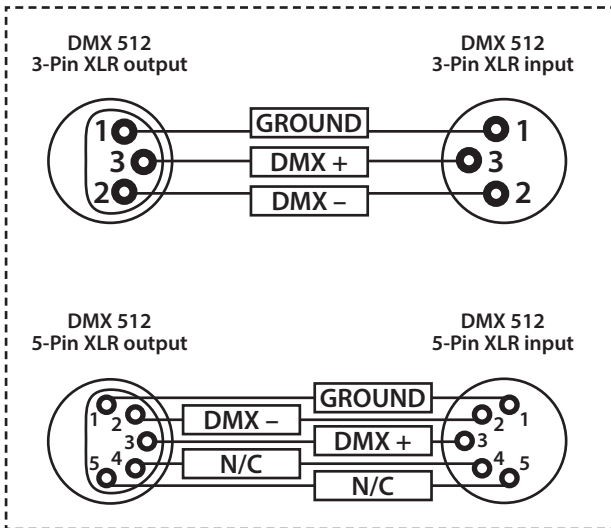
Also remember that DMX cable must be daisy chained and cannot be split.



**Notice:**

Be sure to follow the diagrams below when making your own cables. Do not connect the cables shield conductor to the ground lug or allow the shield conductor to come in contact with the XLRs outer casing. Grounding the shield could cause a short circuit and erratic behaviour.

Pin Configuration	
3-Pin	5-Pin
	Pin 1 - Ground
	Pin 2 - Negative
	Pin 3 - Positive
-	Pin 4 - N/C
-	Pin 5 - N/C

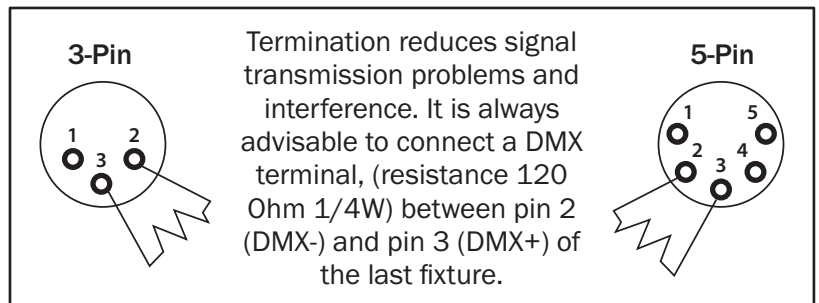


**Line termination:**

When longer runs of cable are used, you may need to use a terminator on the last unit to avoid erratic behaviour.

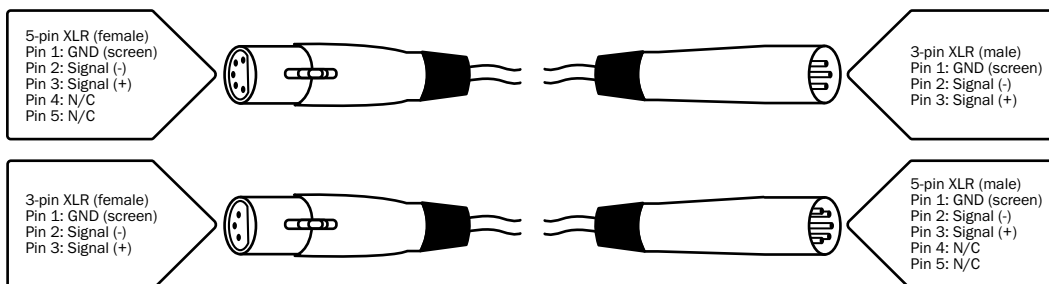
**Using a cable terminator will decrease the possibilities of erratic behaviour.**

(3-pin - Order ref: CABL90,  
5-pin - Order ref: CABL89)



**5-pin XLR DMX connectors:**

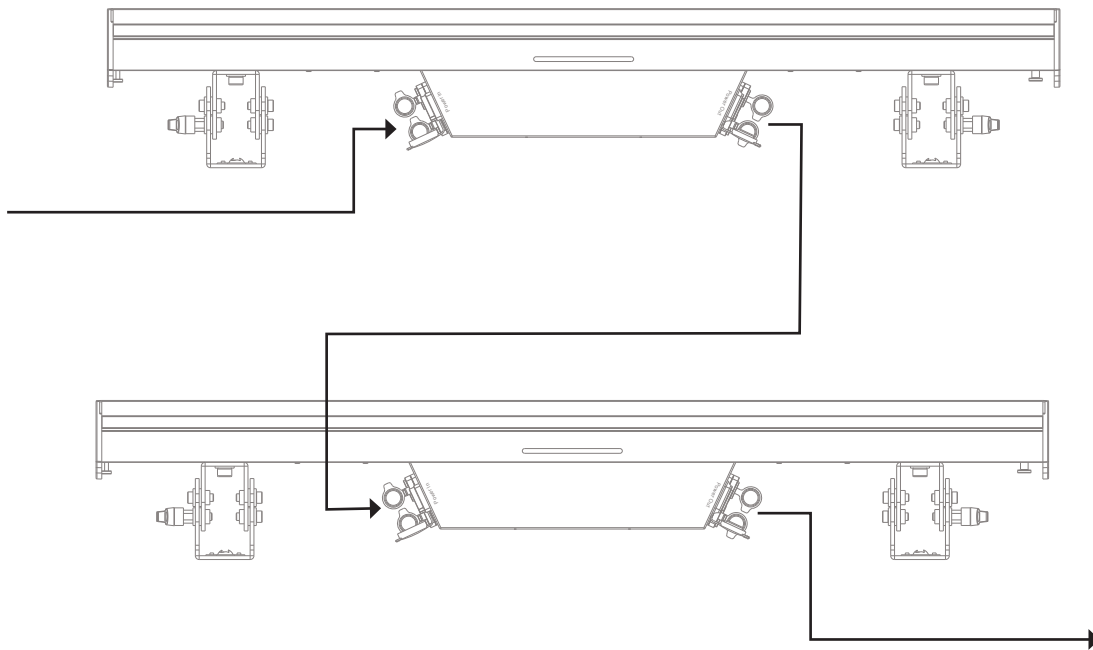
Some manufactures use 5-pin XLR connectors for data transmission in place of 3-pin. 5-pin XLR fixtures may be implemented in a 3-pin XLR DMX line. When inserting standard 5-pin XLR connectors in to a 3-pin line a cable adaptor must be used. The diagram below details the correct cable conversion.



### Power linking:

This fixture provides power linking via the power output on the rear allowing multiple units to be connected together. The maximum number of fixtures that can be connected is 2 fixtures @ 240V or 3 fixtures @ 120V (including the first fixture). After the maximum number of fixtures are connected a new power run will need to be started.

Please note: Caution should be used when power linking other fixtures to the Meteor 784 IP Batten as the power consumption of other fixtures will vary. Fixtures fitted with lamps often require 2/3 times more current on startup, these may require their own power source.





***Correct Disposal of this Product  
(Waste Electrical & Electronic Equipment)***

**(Applicable in the European Union and other European countries  
with separate collection systems)**

This marking shown on the product or its literature, indicates that it should not be disposed of with other household wastes at the end of its working life. To prevent possible harm to the environment or human health from uncontrolled waste disposal, please separate this from other types of wastes and recycle it responsibly to promote the sustainable reuse of material resources.

Household users should contact either the retailer where they purchased this product, or their local government office, for details of where and how they can take this item for environmentally safe recycling.

Business users should contact their supplier and check the terms and conditions of the purchase contract. This product should not be mixed with other commercial wastes for disposal.

