



FLOOD



Selecon's Acclaim and Aurora ranges have a well-deserved reputation for delivering filter life up to double of that of some cyc floods. Further developments of our heat exhaust /control system has resulted in **LUI** delivering industry leading filter life for their class and size. Designed to withstand the most gruelling rental and production work and engineered from

precision sheet metal and aluminium extrusions.

FEATURES

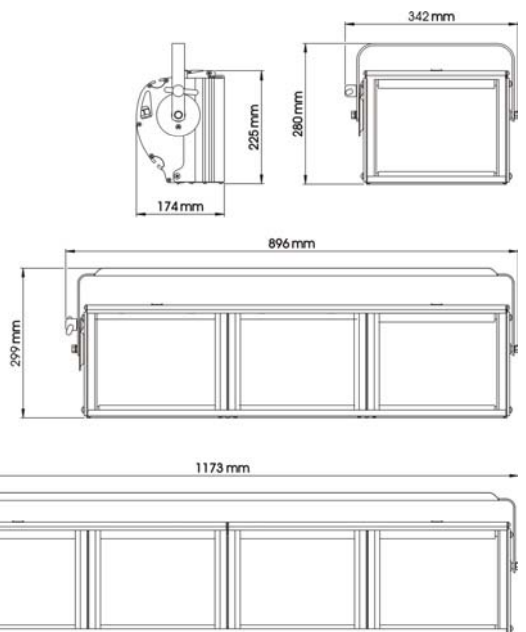
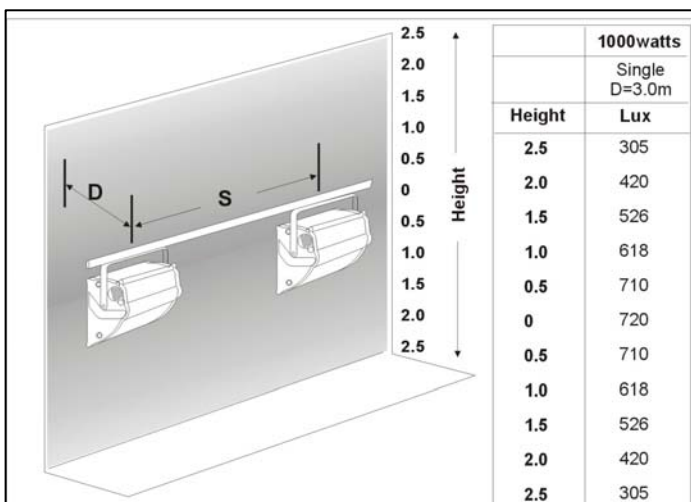
- The **LUI** range uses the 1000W K4 or the 625W P2/10 R7 (189mm) lamps.
- Makes a very effective groundrow. Simply reverse the colour cassette by removing the two screw pivot hinges. Add screw jack feet for adjustment. See separate **LUI** Groundrow specification sheet for conversion details.
- Make your own battens using the **LUI** slot lock joint system that allows a number of units to be locked together.
- Relamp without having to remove the filter or break focus.
- Filter holder is held captive by spring hinged extruded cover that also blocks unwanted light spill.
- One handed operation only required to focus, change filters etc.
- Mains Power Disconnect - microswitches isolate the mains supply when opening to relamp (phase and neutral) protecting against a student or technician inserting a lamp into a live socket.
- Safety glass ensures that in the unlikely event of a lamp exploding that the remains are held captive within the luminaire.
- Shape the beam and contain glare with the four-door barndoor accessory – fits all models.
- Fully tested and compliant to CE standards.

PHYSICAL DATA

	Single	3 way	4 way
Weight:	4.1kg	10.7kg	14kg
Colour Frame Size:	265mm x 203mm		
Included:	1 x colour frame per cell, 1 x M12 suspension bolt set & instruction leaflet.		

PHOTOMETRIC DATA

LUI Flood: Tests conducted using standard R7 189mm double-ended linear lamps: 1000W 240V.



CONNECTOR PANELS & OPTIONS

With the connector Options to suit your needs:

Standard – separate silicon rubber cable tails, with protected entry and clamping gland.

Connector Model – comes fitted with terminal box to which you wire your connector requirements.

Connector boxes mounted beside the termination box with wiring running through side panel knock outs for – multi connectors, cable tails, socket outlets - to fully utilise multi core cable circuit capacity.

Standard Connector Mounting options include:

- 2 x 32mm cable glands fitted to the terminal box cover plate – supplied as standard.
- 19 pin Socapex Mount Box (connector not supplied).
- Order Code: 15HLCS
- 10 pin Wieland Mount Box (connector not supplied).
- Order Code: 15HLCW10
- 16 pin Wieland Mount Box (connector not supplied).
- Order Code: 15HLCW16
- 15A UK type Socket Outlet Mount Box (required for Spec of outlet – not supplied).
- Order Code: 15HLCUK
- 10A Aust/NZ 10A Socket Outlet Mount Box (PDL type 40 – supplied).
- Order Code: 15HLCANZ
- 3 and 4 flexible cable tail termination boxes c/w cables. Order Codes:
- 3 circuit – 15HLC3F
- 4 circuit – 15HLC4F

LAMPS: 220V–240V

1000W	K4	24,000 lumens	2000 hours average life
625W	P2/10	16,250 lumens	150 hours average life

ORDER CODES: LUMINAIRES & ACCESSORIES

LUI Flood 1 – 1000W	10LUIFLD1
LUI Flood 3 Batten – 1000W, cable tails	10LUIFLD3
LUI Flood 3 Batten – 1000W, connector terminals	10LUIFLD3G
LUI Flood 4 Batten – 1000W, cable tails	10LUIFLD4
LUI Flood 4 Batten – 1000W, connector terminals	10LUIFLD4G
Groundrow screw jack feet (set of 2)	15HLGDSF
Barndoor – 4 leaf	15HUIBD
Joiner set (of 2) slot locks	15HLJ
Spare Colour Frame	15HLCF

Selecon reserves the right to change the specifications without notice (09/06).