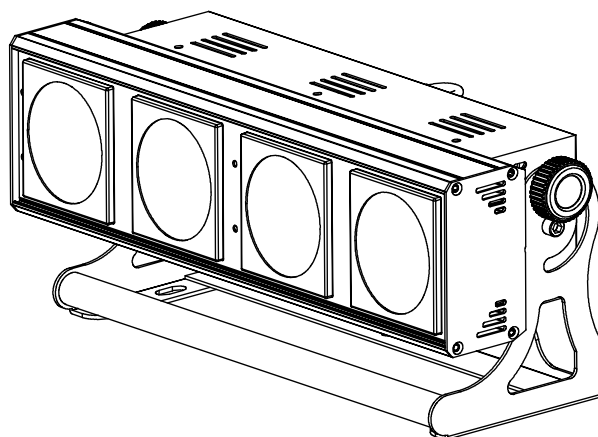
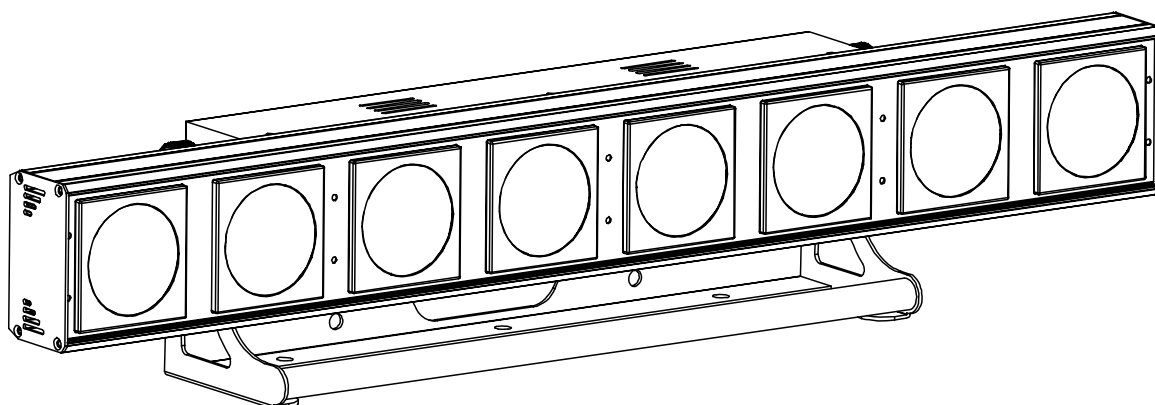


# POWERPIXEL4-RGB



# POWERPIXEL8-RGB



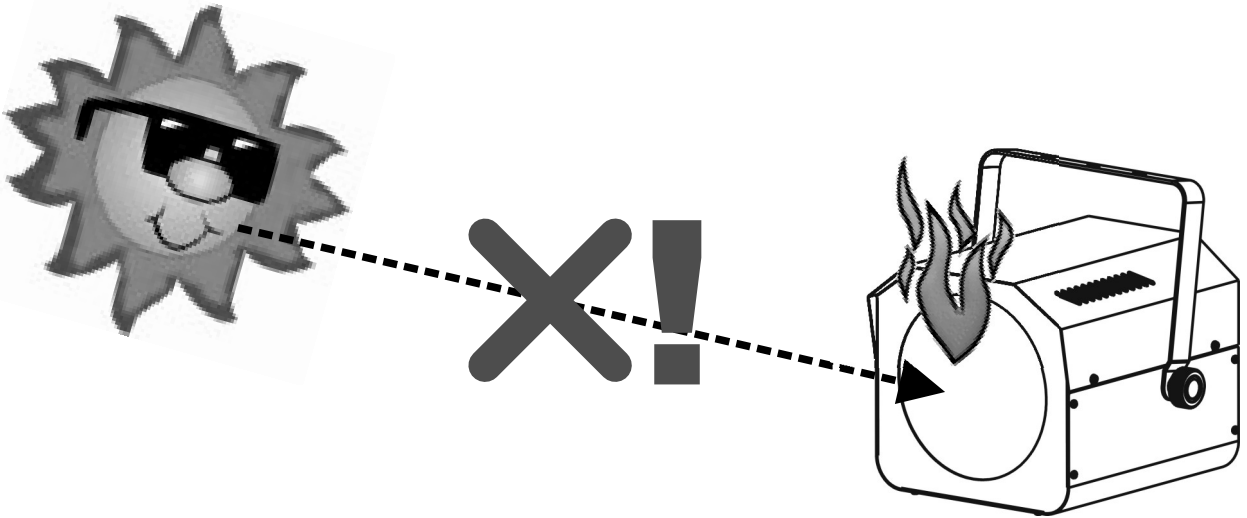
Operation Manual EN  
Mode d'emploi FR  
Gebruiksaanwijzing NL  
Bedienungsanleitung DE  
Manual de instrucciones ES



Version: 1.0



# DANGER ~ GEVAAR ~ GEFAHR ~ PELIGRO ~ PERIGO



**WARNING: DANGER!** never expose the lens to direct sunlight, even for a short period. This may damage the light effect or even cause fire!

**ATTENTION: DANGER!** n'exposez jamais la lentille directement aux rayons de soleil, même pendant un bref instant. Ceci peut endommager l'intérieur de l'appareil ou même causer un incendie !

**OPGELET : GEVAAR !** stel de lens nooit bloot aan direct zonlicht, zelfs gedurende een korte periode. Dit kan het toestel beschadigen en zelfs brand veroorzaken!

**WARNUNG: GEFAHR!** Setzen sie die Linse niemals direkter Sonneneinstrahlung aus, auch nicht für eine kurze Zeit ! Die direkte Sonneneinstrahlung kann das Gerät zerstören oder zum brennen bringen!

**ADVERTENCIA: ¡PELIGRO!** ¡nunca exponga la lente a la luz solar directa, aún durante un período corto! ¡Esto puede dañar el efecto de luz o incluso causar el fuego!

**AVISO: PERIGO!** Nunca exponha as lentes directamente à luz solar, mesmo que por pouco tempo! Isto pode danificar o efeito luminoso ou mesmo provocar um incêndio!

---

## EN - DISPOSAL OF THE DEVICE

Dispose of the unit and used batteries in an environment friendly manner according to your country regulations.

## FR - DÉCLASSER L'APPAREIL

Débarrassez-vous de l'appareil et des piles usagées de manière écologique, conformément aux dispositions légales de votre pays.

## NL - VERWIJDEREN VAN HET APPARAAT

Verwijder het toestel en de gebruikte batterijen op een milieuvriendelijke manier conform de in uw land geldende voorschriften.

## DU - ENTSORGUNG DES GERÄTS

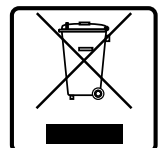
Entsorgen Sie das Gerät und die Batterien auf umweltfreundliche Art und Weise gemäß den Vorschriften Ihres Landes.

## ES - DESHACERSE DEL APARATO

Reciclar el aparato y pilas usadas de forma ecologica conforme a las disposiciones legales de su pais.

## PT - COMO DESFAZER-SE DA UNIDADE

Tente reciclar a unidade e as pilhas usadas respeitando o ambiente e em conformidade com as normas vigentes no seu país.



# OPERATION MANUAL

Thank you for buying this Briteq® product. To take full advantage of all possibilities and for your own safety, please read these operating instructions very carefully before you start using this unit.

## FEATURES

This unit is radio-interference suppressed. This product meets the requirements of the current European and national guidelines. Conformity has been established and the relevant statements and documents have been deposited by the manufacturer.

- This device was designed to produce decorative effect lighting and is used in light show systems.
- Powerful indoor LED projector equipped with 4pcs or 8pcs 30W COB RGB-leds.
- Thanks to the very wide 60° beam angle, this projector is the perfect solution for “close range” applications like wall washing but also great on concert stages, in theaters, discotheques, exhibition booths, ...
- Thanks to the RGB point sources there are absolutely no color shadows
- Absolutely perfect color mixing, even at very close range
- Excellent built-in programs for wonderful, ever changing, light shows.
- Excellent 16bit RGB color mixing and dimming down to 0%
- Completely silent operation, thanks to natural convection cooling system.
- Shows work in standalone, master/slave or can be selected by DMX:
  - Static colors
  - Fading colors
  - Different static chases
  - Different sound activated chases
- Full DMX control with different channel modes, ranging from simple 3CH-mode to 16CH/32CH mode for full RGB+DIM control of every single pixel.
- RDM-functionality for easy remote setup: DMX addressing, channel mode, ...
- Backlit alphanumeric 2x 16character LCD-display for easy menu navigation
- Neutrik PowerCON in/outputs: easy daisy chaining of several units.
- Both 3pin & 5pin DMX in/outputs for maximum compatibility
- High efficiency and low power consumption!
- Multifunctional bracket, designed for both floor and truss mounting.

## BEFORE USE

- Before you start using this unit, please check if there's no transportation damage. Should there be any, do not use the device and consult your dealer first.
- **Important:** This device left our factory in perfect condition and well packaged. It is absolutely necessary for the user to strictly follow the safety instructions and warnings in this user manual. Any damage caused by mishandling is not subject to warranty. The dealer will not accept responsibility for any resulting defects or problems caused by disregarding this user manual.
- Keep this booklet in a safe place for future consultation. If you sell the fixture, be sure to add this user manual.

### Check the contents:

Check that the carton contains the following items:

- Operating instructions
- POWERPIXEL-RGB
- PowerCON mains cable

## SAFETY INSTRUCTIONS:



**CAUTION**  
RISK OF ELECTRIC SHOCK  
DO NOT OPEN



**CAUTION:** To reduce the risk of electric shock, do not remove the top cover. No user-serviceable parts inside. Refer servicing to qualified service personnel only.



The lightning flash with arrowhead symbol within the equilateral triangle is intended to alert the user or the presence of un-insulated "dangerous voltage" within the product's enclosure that may be of sufficient magnitude to constitute a risk of electric shock.



The exclamation point within the equilateral triangle is intended to alert the user to the presence of important operation and maintenance (servicing) instructions in the literature accompanying this appliance.



This symbol means: indoor use only



This symbol means: Read instructions



This symbol determines: the minimum distance from lighted objects. The minimum distance between light-output and the illuminated surface must be more than 1 meters



The device is not suitable for direct mounting on normally flammable surfaces. (suitable only for mounting on non-combustible surfaces)

**RISK GROUP 2**  
**CAUTION:**  
Do not stare at operating lamp

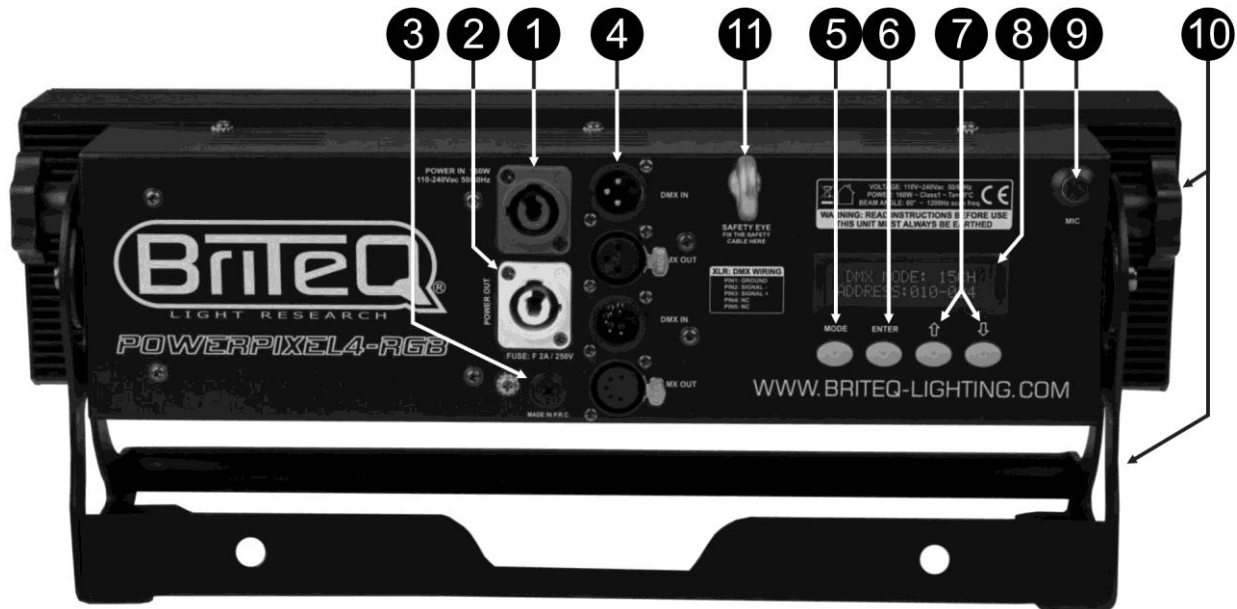
**CAUTION:** Do not stare at operating lamp.  
May be harmful to the eyes.

- To protect the environment, please try to recycle the packing material as much as possible.
- To prevent fire or shock hazard, do not expose this appliance to rain or moisture.
- To avoid condensation to be formed inside, allow the unit to adapt to the surrounding temperatures when bringing it into a warm room after transport. Condense sometimes prevents the unit from working at full performance or may even cause damages.
- This unit is for indoor use only.
- Don't place metal objects or spill liquid inside the unit. Electric shock or malfunction may result. If a foreign object enters the unit, immediately disconnect the mains power.
- Locate the fixture in a well ventilated spot, away from any flammable materials and/or liquids. The fixture must be fixed at least 50cm from surrounding walls.
- Don't cover any ventilation openings as this may result in overheating.
- Prevent use in dusty environments and clean the unit regularly.
- Keep the unit away from children.
- Inexperienced persons should not operate this device.
- Maximum safe ambient temperature is 40°C. Don't use this unit at higher ambient temperatures.
- Make sure the area below the installation place is free from unwanted persons during rigging, de-rigging and servicing.
- Allow the device about 10 minutes to cool down before to start servicing.
- Always unplug the unit when it is not used for a longer time or before to start servicing.
- The electrical installation should be carried out by qualified personal only, according to the regulations for electrical and mechanical safety in your country.
- Check that the available voltage is not higher than the one stated on the unit.
- The power cord should always be in perfect condition. Switch the unit immediately off when the power cord is squashed or damaged. It must be replaced by the manufacturer, its service agent or similarly qualified persons in order to avoid a hazard.
- Never let the power-cord come into contact with other cables!
- This fixture must be earthed in order to comply with safety regulations.
- Don't connect the unit to any dimmer pack.
- Always use an appropriate and certified safety cable when installing the unit.
- In order to prevent electric shock, do not open the cover. Apart from the mains fuse there are no user serviceable parts inside.
- **Never** repair a fuse or bypass the fuse holder. **Always** replace a damaged fuse with a fuse of the same type and electrical specifications!
- In the event of serious operating problems, stop using the fixture and contact your dealer immediately.
- The housing and the lenses must be replaced if they are visibly damaged.
- Please use the original packing when the device is to be transported.
- Due to safety reasons it is prohibited to make unauthorized modifications to the unit.

**Important:** Never look directly into the light source! Don't use the effect in the presence of persons suffering from epilepsy.

## DESCRIPTION:

**Note:** POWERPIXEL4-RGB shown, POWERPIXEL8-RGB has identical controls & connections.



1. **MAINS INPUT:** equipped with original Neutrik PowerCON<sup>®</sup>. Connect the supplied mains cable or any PowerCON<sup>®</sup> extension cable here.
2. **MAINS OUTPUT:** used to daisy chain the power to several other projectors. Always pay attention to the maximum load while adding projectors! Special Multi cables (PowerCON<sup>®</sup> + DMX XLR-cables are optionally available: see our website!)
3. **MAINS FUSE:** protects the unit in case of electrical problems, always use the prescribed fuse!
4. **DMX IN/OUT:** both 3pin and 5pin in/outputs are available to daisy chain the projector with other units that will be controlled by a DMX-controller.
5. **MODE Button:** used to browse the different options of the setup menu.
6. **ENTER Button:** used to jump between different parameters of the selected option. Also confirms the selected values of the parameters.
7. **UP/DOWN Buttons:** used to increase/decrease the value of the selected parameter.
8. **LCD DISPLAY:** backlit 2x 16character LCD-display for easy navigation. The backlight lights up as soon as one of the buttons is pressed. Shows the model + software version at startup.
9. **MIC:** used to trigger the programs in music mode.
10. **BRACKET:** multifunctional and very stable design for both floor and truss mounting. The projector can be directed in any direction.
11. **SAFETY EYEBOLT:** used to attach a safety cable when the unit is rigged (see paragraph "overhead rigging")

## OVERHEAD RIGGING

- **Important:** The installation must be carried out by qualified service personal only. Improper installation can result in serious injuries and/or damage to property. Overhead rigging requires extensive experience! Working load limits should be respected, certified installation materials should be used, the installed device should be inspected regularly for safety.
- Make sure the area below the installation place is free from unwanted persons during rigging, de-rigging and servicing.
- Locate the fixture in a well ventilated spot, far away from any flammable materials and/or liquids. The fixture must be fixed at **least 50cm** from surrounding walls.
- The device should be installed out of reach of people and outside areas where persons may walk by or be seated.
- Before rigging make sure that the installation area can hold a minimum point load of 10times the device's weight.

- Always use a certified safety cable that can hold 12times the weight of the device when installing the unit. This secondary safety attachment should be installed in a way that no part of the installation can drop more than 20cm if the main attachment fails.
- The device should be well fixed; a free-swinging mounting is dangerous and may not be considered!
- Don't cover any ventilation openings as this may result in overheating.
- The operator has to make sure that the safety-relating and machine-technical installations are approved by an expert before using them for the first time. The installations should be inspected every year by a skilled person to be sure that safety is still optimal.



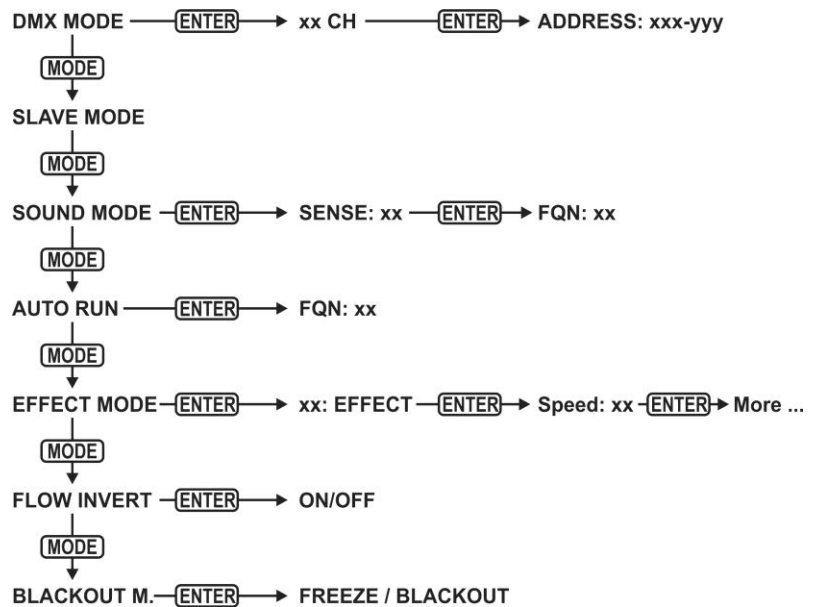
## SETUP MENU

With the setup menu you can fully configure the projector. All settings are preserved when the unit is disconnected from the mains.

### Browsing the setup menu:

#### General instructions for setup.

- Press the MODE button to browse the different functions of the setup menu until the required function is shown on the display.
- Press the ENTER button to access the function and change its parameters.
- The cursor of the value to change starts blinking. Use DOWN and UP button to change the value.
- Press the ENTER button again confirm and select the next parameter to adjust.



### DMX MODE + ADDRESS

Used to set the DMX channel mode and start address.

- Press the MODE button until "DMX MODE" is shown on the display.
- Press the ENTER button: the channel mode (number of channels used) can be set.
- Use DOWN and UP buttons to change the value to the desired channel mode:

- **POWERPIXEL4-RGB modes:**

- **03CH:** all 4 projectors together RGB
- **04CH:** all 4 projectors together RGB + master dim/audio/strobe channel
- **05CH:** all 4 projectors together RGB + master dim + audio/strobe channel
- **06CH:** 2 groups of 2 projectors RGB + RGB
- **12CH:** all projectors individually RGB
- **15CH:** all projectors individually RGB + 3 channels for special functions.
- **16CH:** all projectors individually RGB + master dim

- **POWERPIXEL8-RGB modes:**

- **03CH:** all 4 projectors together RGB
- **04CH:** all 4 projectors together RGB + master dim/audio/strobe channel
- **05CH:** all 4 projectors together RGB + master dim + audio/strobe channel
- **06CH:** 2 groups of 4 projectors RGB + RGB
- **12CH:** 4 groups of 2 projectors RGB + RGB + RGB + RGB
- **24CH:** all projectors individually RGB
- **27CH:** all projectors individually RGB + 3 channels for special functions.
- **32CH:** all projectors individually RGB + master dim

- Press the ENTER button: the start address can be set, the display shows start + end address: "xxx-yyy".
- Use DOWN and UP buttons to adjust the start address (xxx).

**Note:** Depending on the channel mode, the end address (yyy) of the projector changes automatically. This makes it easy for you to set the start address of the next projector in the DMX-line.

**SLAVE MODE**

Used to set the projector in slave mode: the projector copies the output of the master in the line.

- Press the MODE button until "SLAVE MODE" is shown on the display.
- Connect the projector to a master.

**Note:** POWERPIXEL4-RGB and POWERPIXEL8-RGB can be mixed in one line, master should be a POWERPIXEL8-RGB!

**SOUND MODE**

Used to set the projector to standalone sound mode with different chases playing in endless loops.

Press the MODE button until "SOUND MODE" is shown on the display.

- Press the ENTER button: the sensitivity of the microphone (SENS) can be set from 00 to 31.
- Use DOWN and UP buttons to change the value.
- Press the ENTER button: the repetition rate (FQN) of the chases can be set from 00 to 99.
- Use DOWN and UP buttons to change the value.

**SIMPLE AUTO MODE**

Used to set the projector to standalone auto mode with different chases playing in endless loops.

Press the MODE button until "AUTO RUN" is shown on the display.

- Press the ENTER button: the repetition rate (FQN) of the chases can be set from 00 to 99.
- Use DOWN and UP buttons to change the value.

**STANDALONE MODE**

Used to set the projector to standalone auto mode with user adjustable options or chases.

- Press the MODE button until a number ranging from "01." to "14." is shown on line1 of the display.
- Press the ENTER button: use the UP/DOWN buttons to select one of the 14 available options/chases.
- Depending on the option/chase selected you have different settings:
  - **01.STATIC:** (7static colors can be selected.)
    - Press the ENTER button: one of the 7 static colors (CL) can be selected.
    - Use DOWN and UP buttons to change the color.
    - Press the ENTER button: strobe rate (Flash) can be set from 00 (no strobe) to 99 (fast).
    - Use DOWN and UP buttons to change the value.
  - **01. to 12.XXXXX:** (different chases, including color fade, color change, meteor effect, ...)
    - Press the ENTER button: Speed can be set from 01 to 99.
    - Use DOWN and UP buttons to change the value.
    - Press the ENTER button: strobe rate (Flash) can be set from 00 (no strobe) to 99 (fast).
    - Use DOWN and UP buttons to change the value.
  - **13.FLOW8 and 14.FLOW9:** (chases in 1 or 2 directions with choice of chase colors)
    - Press the ENTER button: Speed can be set from 01 to 99.
    - Use DOWN and UP buttons to change the value.
    - Press the ENTER button: strobe rate (Flash) can be set from 00 (no strobe) to 99 (fast).
    - Use DOWN and UP buttons to change the value.
    - Press the ENTER button: Basic color of the chase (C1) can be selected.
    - Use DOWN and UP buttons to change the color. (or blackout)
    - Press the ENTER button: Running color of the chase (C2) can be selected.
    - Use DOWN and UP buttons to change the color. (or blackout)

**FLOW INVERT MODE**

Used to change the running direction of the chases.

- Press the MODE button until "FLOW INVERT" is shown on the display.
- Use DOWN and UP buttons to toggle between ON and OFF.

**BLACKOUT MODE**

Used to select the behavior of the projector when DMX fails (no DMX detected).

- Press the MODE button until "BLACKOUT MODE" is shown on the display.
- Use DOWN and UP buttons to toggle between:
  - **BLACKOUT:** output turns black while no DMX is detected.
  - **FREEZE:** output based on the last valid DMX-signal is kept on the projector.

**Note:** as soon as the input detects a DMX-signal, blackout or freeze mode will be cancelled.

# ELECTRICAL INSTALLATION



**Important:** The electrical installation should be carried out by qualified personal only, according to the regulations for electrical and mechanical safety in your country.

## STANDALONE WITH BUILT-IN CHASES:

Use this function when you want an instant show on only 1 projector.

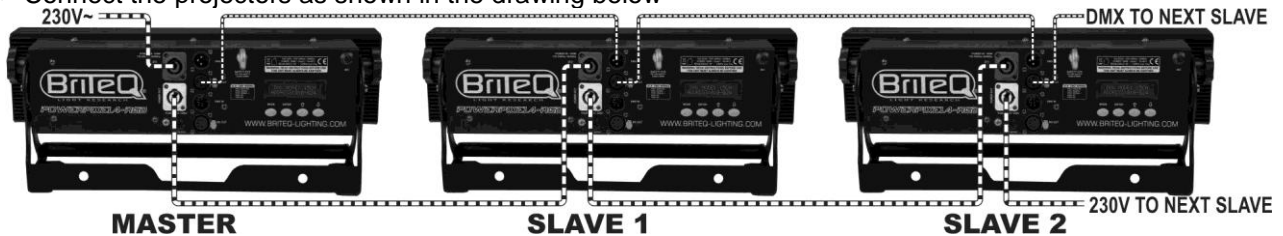
- Connect the projector to the mains and turn it on.
- Select one of the following modes in the setup menu:
  - **SOUND mode:** if you want chase programs running to the rhythm of the beat. See the section “setup menu” for more information on the settings.
  - **STANDALONE mode:** if you want chase programs running automatically but you want a certain control over the selected chase. See the section “setup menu” for more information on the settings.
  - **AUTO RUN mode:** if you want chase programs running automatically. See the section “setup menu” for more information on the settings.

## STANDALONE MASTER/SLAVE WITH BUILT-IN CHASES:

Use this function when you want an instant show on only 1 projector.

By linking the units in master/slave connection, the first unit will control the other units to show a synchronized automatic or sound activated light show.

- Connect the projectors as shown in the drawing below

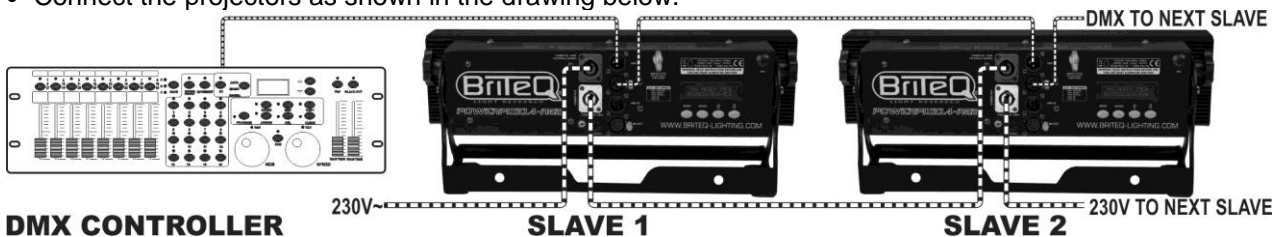


- **Setup of the master:** exactly the same procedure as the “STANDALONE” setup.
- **Setup of the slaves:** all slaves should be set to “SLAVE MODE”, See the section “setup menu” for more information on the settings.

## ELECTRICAL INSTALLATION FOR TWO OR MORE UNITS IN DMX-MODE:

Use this function when you want to control the projectors by any DMX controller.

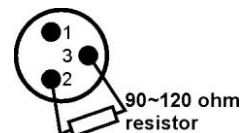
- Connect the projectors as shown in the drawing below.



- First put the projectors in the desired DMX-mode: see the different DMX-charts and choose the one that suits you best.
- Give all projectors a start address: each projector shows its start + end address, make sure that the addresses do not overlap!

### Some general information on DMX:

- The DMX-protocol is a widely used high speed signal to control intelligent light equipment. You need to “daisy chain” your DMX controller and all the connected units with a balanced cable of good quality.
- Both XLR-3pin and XLR-5pin connectors are used, however XLR-3pin is more popular because these cables are compatible with balanced audio cables.
- Pin layout XLR-3pin: Pin1 = GND ~ Pin2 = Negative signal (-) ~ Pin3 = Positive signal (+)
- Pin layout XLR-5pin: Pin1 = GND ~ Pin2 = Negative signal (-) ~ Pin3 = Positive signal (+) ~ Pins4+5 not used.
- To prevent strange behavior of the light effects, due to interferences, you must use a 90Ω to 120Ω terminator at the end of the chain. Never use Y-splitter cables, this simply won't work!





- Make sure that all units are connected to the mains.
- Each light effect in the chain needs to have its proper starting address so it knows which commands from the controller it has to decode.

## RDM FUNCTIONS / REMOTE SETUP

RDM means “Remote Device Management”. This projector works with a brief set of RDM-functions which means that it can setup a bi-directional communication with an RDM-compatible DMX-controller. Some of these functions are briefly explained below, others will be added in the future.

- The DMX-controller sends out a “discovery command”, all RDM devices respond and send their unique device ID.
- The DMX-controller asks each RDM device for some basic data so it knows which devices are connected. The POWERPIXEL projector will respond:
  - **Device name:** PIXEL4-RGB or PIXEL8-RGB
  - **Manufacturer:** Briteq®
  - **Category:** LED Dimmer
  - **Firmware:** x.x.x.x (firmware version of the projector)
  - **DMX address:** xxx (current DMX start address of the projector)
  - **DMX footprint:** xx (number of DMX-channels used by the projector)
  - **Personality:** xx (current personality [or DMX-working mode] used by the projectors)
- The DMX-controller can send certain commands to each RDM device which allow remote setup of the units. Thanks to this the POWERPIXEL can be setup remotely.

**The following functions can be managed remotely:**

No more need to take a ladder and set all units one by one!

- **DMX START ADDRESS:** The start address can be set remotely from 001 to xxx.
- **PERSONALITY:** The DMX working mode (DMX-chart) can be set remotely.

These 2 functions make it possible to prepare a complete DMX-patch of all projectors on the DMX-controller and send these data to all projectors at once. More functions will be added later.

## DMX CHARTS

For maximum compatibility both POWERPIXEL4-RGB and POWERPIXEL8-RGB have the same DMX-charts so they can easily work together. More advance DMX-charts are specific for each model. Below you will find 3 parts: Combined charts, specific charts for POWERPIXEL4-RGB and specific charts for POWERPIXEL8-RGB.

### A/ DMX CHARTS FOR BOTH POWERPIXEL4-RGB + POWERPIXEL8-RGB

3 channel DMX-Mode: all pixels working together in RGB

Channel:	Value:	Function:	Remarks
1	000-255	Red (0-100%)	
2	000-255	Green (0-100%)	
3	000-255	Blue (0-100%)	

4 channel DMX-Mode: all pixels working together in RGB + MASTER DIM/SOUND/STROBE

Channel:	Value:	Function:	Remarks
1	000-255	Red (0-100%)	
2	000-255	Green (0-100%)	
3	000-255	Blue (0-100%)	
4	000-190	Master dimmer	000=0% ~ 190=100% (full open)
	191-200	Sound control (7 colors)	Audio sensitivity: 191=low ~ 200=high
	201-247	Strobe	Increasing speed: 201=slow ~ 247=fast
	248-255	Master dimmer @ 100%	Master dimmer is full open

5 channel DMX-Mode: all pixels working together in RGB + MASTER DIM + SOUND/STROBE

Channel:	Value:	Function:	Remarks
1	000-255	Red (0-100%)	
2	000-255	Green (0-100%)	
3	000-255	Blue (0-100%)	

4	000-255	<b>Master dimmer (0-100%)</b>	
5	000-004	<b>ON</b>	
	005-024	<b>Sound control (7 colors)</b>	Audio sensitivity: 191=low ~ 200=high
	025-034	<b>ON</b>	
	035-255	<b>Strobe</b>	Increasing speed: 201=slow ~ 247=fast

**15 / 27 channel DMX-Mode: all projectors individually + 3ch for special functions)**

Channels 1 to 15 are identical for both projectors, for POWERPIXEL8-RGB channels 16 to 27 are additional individual RGB pixel controls.

CH1 value	CH1 Function	CH2	CH3	CH4	CH5	CH6	... CH15 ... CH27	
000-015	<b>RGB-control on CH4-15</b>	Master dimmer	<b>STROBE</b>  000 NO STROBE  001-255 SLOW TO FAST	R1 000-255	R1 000-255	B1 000-255	...	
016-023	<b>Red on all pixels</b>	dimmer						
024-031	<b>Green on all pixels</b>	dimmer						
032-039	<b>Blue on all pixels</b>	dimmer						
040-047	<b>Red/Green on all pixels</b>	dimmer						
048-055	<b>Green/Blue on all pixels</b>	dimmer						
056-063	<b>Red/Blue on all pixels</b>	dimmer						
064-071	<b>RGB on all pixels</b>	dimmer						
072-079	<b>Color 1</b>	dimmer						
080-087	<b>Color 2</b>	dimmer						
088-095	<b>Color 3</b>	dimmer						
096-103	<b>Color 4</b>	dimmer						
104-111	<b>Color 5</b>	dimmer						
112-119	<b>Color 6</b>	dimmer						
120-127	<b>Color 7</b>	dimmer						
128-135	<b>Color 8</b>	dimmer						
136-143	<b>CFADE</b>	<b>SPEED</b>  000-255 SLOW TO FAST						
144-151	<b>METEOR</b>							
152-159	<b>FADE</b>							
160-167	<b>CHANGE</b>							
168-175	<b>FLOW1</b>							
176-183	<b>FLOW2</b>							
184-191	<b>FLOW3</b>							
192-199	<b>FLOW4</b>							
200-207	<b>FLOW5</b>							
208-215	<b>FLOW6</b>							
216-223	<b>FLOW7</b>							
224-231	<b>FLOW8</b>			<b>CH4 Select Color 1</b> 000-035 RGB 036-071 RB 072-107 GB 108-143 RG 144-179 B 180-215 G 216-251 R 252-255 OFF	<b>CH5 Select Color 2</b> 000-035 OFF 036-071 R 072-107 G 108-143 B 144-179 RG 180-215 GB 216-251 RB 252-255 RGB			
232-239	<b>FLOW9</b>							
240-255	<b>SOUND MODE</b>	<b>SENS</b> 000-255 LOW TO HIGH						

**B/ DMX CHARTS FOR POWERPIXEL4-RGB ONLY**

**6 channel DMX-Mode: 2 groups of 2 projectors, RGB control**

<b>Channel:</b>	<b>Value:</b>	<b>Function:</b>	<b>Remarks</b>
1	000-255	<b>Red (0-100%)</b>	Control for pixels 1+2
2	000-255	<b>Green (0-100%)</b>	Control for pixels 1+2
3	000-255	<b>Blue (0-100%)</b>	Control for pixels 1+2
4	000-255	<b>Red (0-100%)</b>	Control for pixels 3+4
5	000-255	<b>Green (0-100%)</b>	Control for pixels 3+4
6	000-255	<b>Blue (0-100%)</b>	Control for pixels 3+4

**12 channel DMX-Mode: all projectors individually RGB controlled**

<b>Channel:</b>	<b>Value:</b>	<b>Function:</b>	<b>Remarks</b>
1	000-255	<b>Red (0-100%)</b>	Control for pixel 1
2	000-255	<b>Green (0-100%)</b>	Control for pixel 1
3	000-255	<b>Blue (0-100%)</b>	Control for pixel 1
4	000-255	<b>Red (0-100%)</b>	Control for pixel 2
5	000-255	<b>Green (0-100%)</b>	Control for pixel 2
6	000-255	<b>Blue (0-100%)</b>	Control for pixel 2
7	000-255	<b>Red (0-100%)</b>	Control for pixel 3
8	000-255	<b>Green (0-100%)</b>	Control for pixel 3
9	000-255	<b>Blue (0-100%)</b>	Control for pixel 3
10	000-255	<b>Red (0-100%)</b>	Control for pixel 4
11	000-255	<b>Green (0-100%)</b>	Control for pixel 4
12	000-255	<b>Blue (0-100%)</b>	Control for pixel 4

**16 channel DMX-Mode: all projectors individually RGB+DIM controlled**

<b>Channel:</b>	<b>Value:</b>	<b>Function:</b>	<b>Remarks</b>
1	000-255	<b>Red (0-100%)</b>	Control for pixel 1
2	000-255	<b>Green (0-100%)</b>	Control for pixel 1
3	000-255	<b>Blue (0-100%)</b>	Control for pixel 1
4	000-255	<b>Master Dimmer (0-100%)</b>	Control for pixel 1
5	000-255	<b>Red (0-100%)</b>	Control for pixel 2
6	000-255	<b>Green (0-100%)</b>	Control for pixel 2
7	000-255	<b>Blue (0-100%)</b>	Control for pixel 2
8	000-255	<b>Master Dimmer (0-100%)</b>	Control for pixel 2
9	000-255	<b>Red (0-100%)</b>	Control for pixel 3
10	000-255	<b>Green (0-100%)</b>	Control for pixel 3
11	000-255	<b>Blue (0-100%)</b>	Control for pixel 3
12	000-255	<b>Master Dimmer (0-100%)</b>	Control for pixel 3
13	000-255	<b>Red (0-100%)</b>	Control for pixel 4
14	000-255	<b>Green (0-100%)</b>	Control for pixel 4
15	000-255	<b>Blue (0-100%)</b>	Control for pixel 4
16	000-255	<b>Master Dimmer (0-100%)</b>	Control for pixel 4

**C/ DMX CHARTS FOR POWERPIXEL8-RGB ONLY**

6 channel DMX-Mode: 2 groups of 4 projectors, RGB controlled

Channel:	Value:	Function:	Remarks
1	000-255	Red (0-100%)	Control for pixels 1+2+3+4
2	000-255	Green (0-100%)	Control for pixels 1+2+3+4
3	000-255	Blue (0-100%)	Control for pixels 1+2+3+4
4	000-255	Red (0-100%)	Control for pixels 5+6+7+8
5	000-255	Green (0-100%)	Control for pixels 5+6+7+8
6	000-255	Blue (0-100%)	Control for pixels 5+6+7+8

12 channel DMX-Mode: 4 groups of 2 projectors, RGB controlled

Channel:	Value:	Function:	Remarks
1	000-255	Red (0-100%)	Control for pixels 1+2
2	000-255	Green (0-100%)	Control for pixels 1+2
3	000-255	Blue (0-100%)	Control for pixels 1+2
4	000-255	Red (0-100%)	Control for pixels 3+4
5	000-255	Green (0-100%)	Control for pixels 3+4
6	000-255	Blue (0-100%)	Control for pixels 3+4
7	000-255	Red (0-100%)	Control for pixels 5+6
8	000-255	Green (0-100%)	Control for pixels 5+6
9	000-255	Blue (0-100%)	Control for pixels 5+6
10	000-255	Red (0-100%)	Control for pixels 7+8
11	000-255	Green (0-100%)	Control for pixels 7+8
12	000-255	Blue (0-100%)	Control for pixels 7+8

24 channel DMX-Mode: all projectors individually RGB controlled

Channel:	Value:	Function:	Remarks
1	000-255	Red (0-100%)	Control for pixel 1
2	000-255	Green (0-100%)	Control for pixel 1
3	000-255	Blue (0-100%)	Control for pixel 1
4	000-255	Red (0-100%)	Control for pixel 2
5	000-255	Green (0-100%)	Control for pixel 2
6	000-255	Blue (0-100%)	Control for pixel 2
7 ... 21	000-255	...	Control for pixels 3 to 7
22	000-255	Red (0-100%)	Control for pixel 8
23	000-255	Green (0-100%)	Control for pixel 8
24	000-255	Blue (0-100%)	Control for pixel 8

32 channel DMX-Mode: all projectors individually RGB+DIM controlled

Channel:	Value:	Function:	Remarks
1	000-255	Red (0-100%)	Control for pixel 1
2	000-255	Green (0-100%)	Control for pixel 1
3	000-255	Blue (0-100%)	Control for pixel 1
4	000-255	Master Dimmer (0-100%)	Control for pixel 1
5	000-255	Red (0-100%)	Control for pixel 2
6	000-255	Green (0-100%)	Control for pixel 2
7	000-255	Blue (0-100%)	Control for pixel 2
8	000-255	Master Dimmer (0-100%)	Control for pixel 2
9 ... 28	000-255	...	Control for pixels 3 to 7
29	000-255	Red (0-100%)	Control for pixel 8
30	000-255	Green (0-100%)	Control for pixel 8
31	000-255	Blue (0-100%)	Control for pixel 8
32	000-255	Master Dimmer (0-100%)	Control for pixel 8

## RDM FUNCTIONS / REMOTE SETUP

RDM means “Remote Device Management”. This projector works with a brief set of RDM-functions which means that it can setup a bi-directional communication with an RDM-compatible DMX-controller. Some of these functions are briefly explained below, others will be added in the future.

- The DMX-controller sends out a “discovery command”, all RDM devices respond and send their unique device ID.
- The DMX-controller asks each RDM device for some basic data so it knows which devices are connected. The POWERPIXEL projector will respond:
  - **Device name:** PIXEL4-RGB or PIXEL8-RGB
  - **Manufacturer:** Briteq®
  - **Category:** LED Dimmer
  - **Firmware:** x.x.x.x (firmware version of the projector)
  - **DMX address:** xxx (current DMX start address of the projector)
  - **DMX footprint:** xx (number of DMX-channels used by the projector)
  - **Personality:** xx (current personality [or DMX-working mode] used by the projectors)
- The DMX-controller can send certain commands to each RDM device which allow remote setup of the units. Thanks to this the POWERPIXEL can be setup remotely.

### The following functions can be managed remotely:

No more need to take a ladder and set all units one by one!

- **DMX START ADDRESS:** The start address can be set remotely from 001 to xxx.
- **PERSONALITY:** The DMX working mode (DMX-chart) can be set remotely.

These 2 functions make it possible to prepare a complete DMX-patch of all projectors on the DMX-controller and send these data to all projectors at once. More functions will be added later.

## MAINTENANCE

- Make sure the area below the installation place is free from unwanted persons during servicing.
- Switch off the unit, unplug the mains cable and wait until the unit has been cooled down.

### During inspection the following points should be checked:

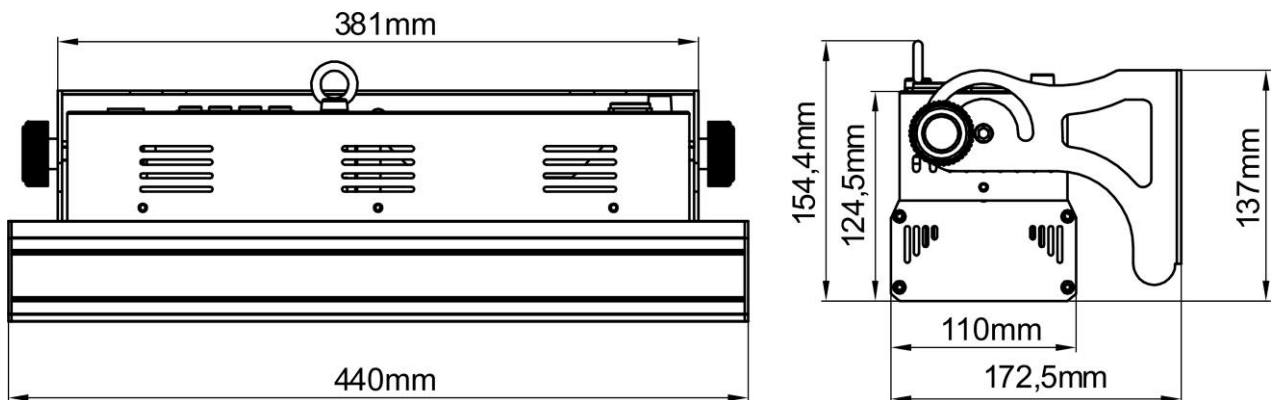
- All screws used for installing the device and any of its parts should be tightly fastened and may not be corroded.
- Housings, fixations and installations spots (ceiling, truss, suspensions) should be totally free from any deformation.
- When an optical lens is visibly damaged due to cracks or deep scratches, it must be replaced.
- The mains cables must be in impeccable condition and should be replaced immediately when even a small problem is detected.
- In order to protect the device from overheat the cooling fans (if any) and ventilation openings should be cleaned monthly.
- The interior of the device should be cleaned annually using a vacuum cleaner or air-jet.
- The cleaning of internal and external optical lenses and/or mirrors must be carried out periodically to optimize light output. Cleaning frequency depends on the environment in which the fixture operates: damp, smoky or particularly dirty surroundings can cause greater accumulation of dirt on the unit's optics.
  - Clean with a soft cloth using normal glass cleaning products.
  - Always dry the parts carefully.

**Attention: We strongly recommend internal cleaning to be carried out by qualified personnel!**

# SPECIFICATIONS

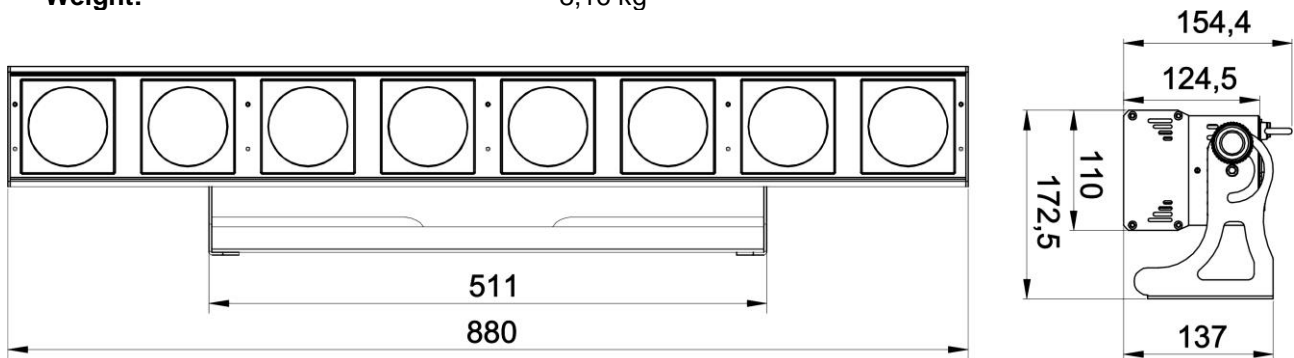
## POWERPIXEL4-RGB

<b>Mains Input:</b>	AC 110V - 240V, 50/60Hz
<b>Power consumption:</b>	160 Watt max.
<b>Fuse:</b>	250V T2A (20mm glass)
<b>Sound Control:</b>	Internal microphone
<b>DMX connections:</b>	3pin + 5pin XLR male / female
<b>DMX channels used:</b>	3+4+5+6+12+15+16 channels
<b>Lamp:</b>	4x RGB 30W COB
<b>LED Refresh rate:</b>	1200 Hz
<b>Beam Angle:</b>	60°
<b>Size:</b>	440 x 172,5 x 154,4 mm
<b>Weight:</b>	5,20 kg



## POWERPIXEL8-RGB

<b>Mains Input:</b>	AC 110V - 240V, 50/60Hz
<b>Power consumption:</b>	290 Watt max.
<b>Fuse:</b>	250V T2A (20mm glass)
<b>Sound Control:</b>	Internal microphone
<b>DMX connections:</b>	3pin + 5pin XLR male / female
<b>DMX channels used:</b>	3+4+5+6+12+24+27+32 channels
<b>Lamp:</b>	8x RGB 30W COB
<b>LED Refresh rate:</b>	1200 Hz
<b>Beam Angle:</b>	60°
<b>Size:</b>	880 x 172,5 x 154,4 mm
<b>Weight:</b>	8,16 kg



The information might be modified without prior notice  
 You can download the latest version of this user manual on our website: [www.briteq-lighting.com](http://www.briteq-lighting.com)

# GUIDE D'UTILISATION

Nous vous remercions d'avoir acheté ce produit Briteq®. Pour tirer pleinement profit de toutes les possibilités et pour votre propre sécurité, lisez ces instructions très attentivement avant d'utiliser cet appareil.

## CARACTÉRISTIQUES

Cet appareil ne produit pas d'interférences radio. Ce produit répond aux exigences des directives européennes et nationales actuelles. La conformité a été établie et les déclarations et documents correspondants ont été déposés par le fabricant.

- Ce dispositif a été conçu pour produire un effet d'éclairage décoratif et est utilisé dans les systèmes de jeu de lumière.
- Puissant projecteur LED d'intérieur équipé de 4 ou 8 LED RGB 30W COB.
- Grâce au très large angle du faisceau de 60°, ce projecteur constitue une solution parfaite pour des applications « à courte distance » telles que "wall wash", mais également peut être bien adapté à des scènes de concert, théâtres, discothèques, stands d'exposition etc.
- Grâce aux sources RGB ponctuelles Il n'y a absolument aucune ombre de couleur.
- Absolument parfait pour le mélange de couleurs, même à très courte distance.
- D'excellents programmes intégrés offrant de fabuleux jeux de lumière en perpétuels changements.
- Excellent mélange de couleurs RGB 16 bits et gradation à 0%.
- Fonctionnement complètement silencieux, grâce au système de refroidissement par convection naturelle.
- Jeux de lumière en mode autonome, maître/esclave ou sélectionné par DMX :
  - Couleurs statiques
  - Fondus de couleurs
  - Différents chenillards statiques
  - Différents chenillards activés par le son
- Contrôle DMX total avec différents modes canaux, allant du simple mode 3 CH aux modes 16/32 CH pour le contrôle total RGB + GRADATION de chaque pixel.
- Fonctionnalité RDM pour faciliter la configuration à distance : Adressage DMX, mode canal,...
- Ecran LCD rétroéclairé, 2x 16 caractères alphanumérique pour la navigation dans les menus.
- Entrées/sorties Neutrik PowerCon : chaînage facile de plusieurs unités.
- Entrées/sorties DMX 3 et 5 broches pour une compatibilité maximale.
- Haute efficacité et faible consommation d'énergie !
- Support multifonction pour plancher et montage sur structure.

## AVANT UTILISATION

- Avant d'utiliser cet appareil, vérifiez s'il n'a pas été endommagé durant le transport. En cas de dommages, n'utilisez pas l'appareil et consultez immédiatement votre revendeur.
- **Important** : Cet appareil est expédié de notre usine en parfait état et bien emballé. Il est absolument nécessaire que l'utilisateur suive strictement les instructions et les avertissements de sécurité se trouvant dans ce manuel. Tout dommage dû à une mauvaise manipulation n'est pas garanti. Le revendeur n'accepte aucune responsabilité pour tous les défauts et problèmes dus au non-respect de ce manuel.
- Conservez ce manuel dans un endroit sûr pour toute consultation future. Si vous vendez l'appareil, veuillez à joindre ce manuel.

### Vérifiez le contenu :

Vérifiez que le carton contient les éléments suivants :

- Instructions d'utilisation
- POWERPIXEL-RGB
- Câble d'alimentation PowerCON

## INSTRUCTIONS DE SÉCURITÉ :



**CAUTION**  
RISK OF ELECTRIC SHOCK  
DO NOT OPEN



**ATTENTION :** Pour réduire le risque de choc électrique, ne retirez pas le panneau supérieur. L'appareil ne contient aucun composant réparable par l'utilisateur. Confiez toute réparation à un personnel qualifié uniquement.



Le symbole de l'éclair à l'intérieur d'un triangle équilatéral, est destiné à alerter l'utilisateur de la présence de pièces sous tension non isolées dans le boîtier de l'appareil, d'une magnitude pouvant constituer un risque d'électrocution.



Le symbole du point d'exclamation dans un triangle équilatéral sert à avertir l'utilisateur que d'importants conseils d'utilisation et de maintenance sont fournis dans la documentation accompagnant l'appareil.



Ce symbole signifie : pour usage intérieur uniquement



Ce symbole signifie : Lisez les instructions



Ce symbole détermine : la distance minimale des objets éclairés. La distance minimale entre la sortie de lumière et la surface éclairée doit être supérieure à un 1 mètre.



Cet appareil n'est pas adapté pour un montage direct sur des surfaces normalement inflammables. (ne convient que pour le montage sur surfaces non combustibles)

**RISK GROUP 2**  
**CAUTION:**  
**Do not stare at operating lamp**

**ATTENTION :** Ne fixez pas votre regard sur une lampe allumée.  
Peut être nocif pour les yeux.

- Pour protéger l'environnement, essayer de recycler autant que possible les matériaux d'emballage.
- Pour éviter tout incendie ou électrocution, n'exposez pas cet appareil à la pluie ou l'humidité.
- Pour éviter une formation de condensation interne, laissez l'appareil s'adapter à la température ambiante quand vous la mettez dans une pièce chauffée après le transport. La condensation empêche parfois l'appareil de fonctionner à plein rendement ou peut même causer des dommages.
- Cet appareil est destiné à un usage intérieur seulement.
- Ne placez pas d'objets métalliques et ne renversez pas de liquides à l'intérieur de l'appareil. Un choc électrique ou un dysfonctionnement peut en résulter. Si un corps étranger pénètre dans l'appareil, débranchez immédiatement l'alimentation secteur.
- Fixez l'appareil dans un endroit bien aéré, loin de tout matériau et/ou liquide inflammable. Le luminaire doit être fixé à au moins 50cm des murs environnants.
- Ne couvrez pas les ouvertures de ventilation, cela pourrait entraîner une surchauffe.
- Evitez une utilisation dans des environnements poussiéreux et nettoyez l'appareil régulièrement.
- Gardez l'appareil loin de la portée des enfants.
- Les personnes inexpérimentées ne doivent pas utiliser cet appareil.
- La température ambiante de fonctionnement maximale est de 40°C. N'utilisez pas cet appareil à des températures ambiantes plus élevées.
- Assurez-vous qu'aucune personne étrangère ne se trouve dans la zone en dessous de l'emplacement d'installation durant le montage, le démontage et l'entretien.
- Laissez environ 10 minutes à l'appareil pour refroidir avant de commencer l'entretien.
- Débranchez toujours l'appareil lorsqu'il ne va pas être utilisé pendant une longue période ou avant de commencer l'entretien.
- L'installation électrique doit être effectuée par du personnel qualifié, conformément à la réglementation en matière de sécurité électrique et mécanique dans votre pays.
- Vérifiez que la tension secteur n'est pas supérieure à celle indiquée sur l'appareil.
- Le cordon d'alimentation doit toujours être en parfait état. Eteignez immédiatement l'appareil dès le cordon d'alimentation est écrasé ou endommagé. Il doit être remplacé par le fabricant, son agent de service ou une personne de même qualification afin d'éviter tout danger.
- Ne laissez jamais le cordon d'alimentation ENTER en contact avec d'autres câbles !
- Ce luminaire doit être mis à la terre pour être conforme réglementation en matière de sécurité.
- Ne connectez pas l'appareil à aucun variateur de lumière.
- Utilisez toujours un câble de sécurité approprié et certifié lors de l'installation de l'appareil.
- Afin d'éviter un choc électrique, n'ouvrez aucun panneau. Aucune pièce interne n'est remplaçable par l'utilisateur à part le fusible secteur.
- Ne réparez **jamais** un fusible et ne court-circuitiez jamais le porte-fusible. Remplacez **toujours** un fusible endommagé par un fusible du même type ayant les mêmes spécifications électriques !

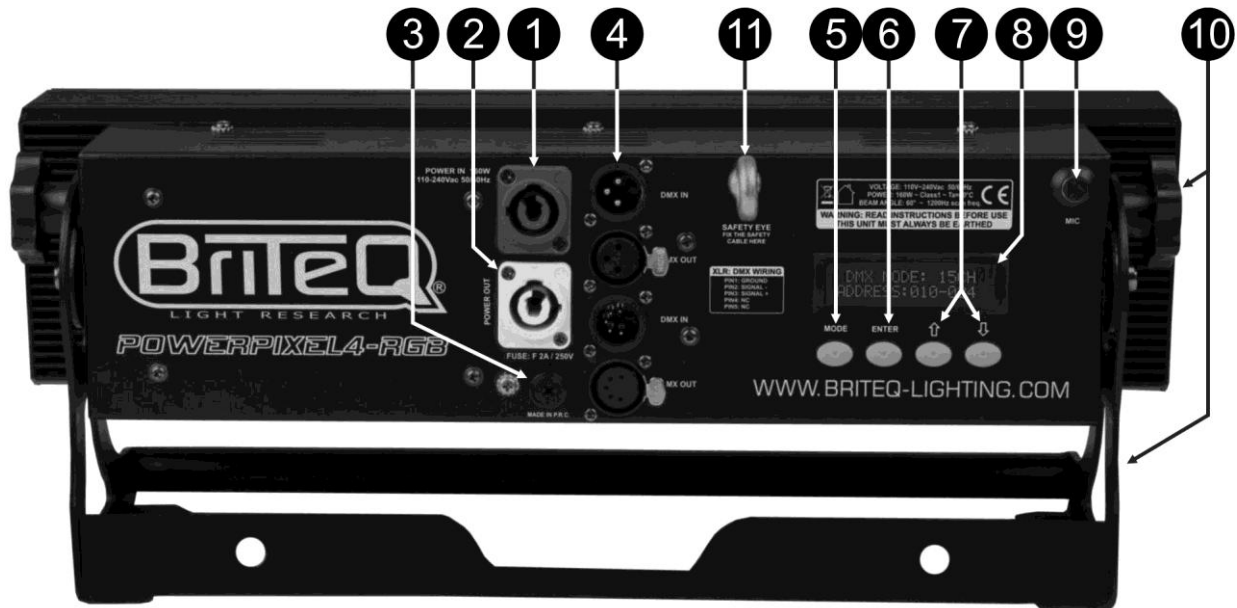


- En cas de sérieux problèmes de fonctionnement, cessez d'utiliser l'appareil et contactez immédiatement votre revendeur.
- Le boîtier et la lentille doivent être remplacés s'ils sont visiblement endommagés.
- Utilisez l'emballage d'origine pour transporter l'appareil.
- Pour des raisons de sécurité, il est interdit d'apporter des modifications non autorisées à l'appareil.

**Important :** Ne regardez jamais directement dans la source de lumière ! N'utilisez pas le jeu de lumière en présence de personnes souffrant d'épilepsie.

## DESCRIPTION :

*Remarque :* C'est l'image de POWERPIXEL4-RGB, mais POWERPIXEL8-RGB dispose de touches de commande et connecteurs identiques.



- 1. TENSION D'ENTREE :** équipé de pièces d'origine Neutrik PowerCON®. Branchez le câble d'alimentation fourni ou tout câble de rallonge PowerCon® ici.
- 2. SORTIE SECTEUR :** utilisé pour connecter en série l'alimentation de plusieurs autres projecteurs. Faites toujours attention à la charge maximale, lors de l'ajout d'autres projecteurs ! Des câbles multiples (PowerCON® + DMX XLR, sont disponibles en option : reportez-vous à notre site internet !)
- 3. FUSIBLE SECTEUR :** protège l'appareil en cas de problèmes électriques, utilisez toujours un fusible du type recommandé !
- 4. ENTREE/SORTIE DMX PROJECTEUR :** des entrées/sorties 3 et 5 broches sont disponibles pour la connexion en série du projecteur avec d'autres unités qui seront contrôlées par un contrôleur DMX.
- 5. Touche MODE :** Permet de parcourir les différentes options du menu configuration.
- 6. Touche ENTER :** Permet de parcourir les différents paramètres de l'option choisie. Permet également de confirmer les valeurs sélectionnées des paramètres.
- 7. Touches Haut/Bas :** permettent d'augmenter/diminuer la valeur du paramètre sélectionné.
- 8. ECRAN LCD :** Ecran LCD rétroéclairé, 2x 16 caractères pour la navigation dans les menus. L'écran rétroéclairé dès que l'une des touches est appuyée. Affiche le modèle + version du logiciel au démarrage.
- 9. MIC :** Permet de déclencher les programmes en mode musique.
- 10. SUPPORT :** Un support multifonction très stable pour plancher et montage sur structure. Le projecteur peut être dirigé dans toute direction.
- 11. BOULON A OÛILLET DE SECURITE :** utilisé pour attacher un câble de sécurité au cours du levage de l'appareil (reportez-vous au paragraphe « Montage au plafond »).

## MONTAGE AU PLAFOND

- **Important :** L'installation ne doit être effectuée que par un personnel qualifié. Une mauvaise installation peut entraîner des blessures et/ou dommages graves. Un montage au plafond exige une grande expérience ! Les limites de charge de fonctionnement doivent être respectées, des matériels d'installation certifiés doivent être utilisés, l'appareil installé doit être inspecté régulièrement pour vérifier les conditions de sécurité.
- Assurez-vous qu'aucune personne étrangère ne se trouve dans la zone en dessous de l'emplacement d'installation durant le montage, le démontage et l'entretien.
- Fixez l'appareil dans un endroit bien aéré, loin de tout matériau et/ou liquide inflammable. Le luminaire doit être fixé à au moins 50cm des murs environnants.
- L'appareil doit être installé hors de la portée des gens, loin des passages et des endroits où des personnes peuvent s'asseoir.
- Avant de soulever l'appareil, assurez-vous que le point de suspension peut supporter une charge d'au moins 10 fois le poids de l'appareil.
- Lors de l'installation de l'appareil, utilisez toujours un câble de sécurité certifié qui peut supporter 12 fois le poids de l'appareil. Ce support de suspension de sécurité secondaire doit être installé de manière à ce qu'aucune partie de l'installation ne puisse tomber de plus de 20cm si le support principal lâche.
- L'appareil doit être bien fixé, un montage balançant est dangereux et ne doit pas être entrepris !
- Ne couvrez pas les ouvertures de ventilation, cela pourrait entraîner une surchauffe.
- L'opérateur doit s'assurer que la sécurité relative à l'installation et les conditions techniques sont approuvées par un expert avant d'utiliser l'appareil pour la première fois. Les installations doivent être inspectées chaque année par une personne qualifiée pour être sûr que la sécurité est toujours optimale.

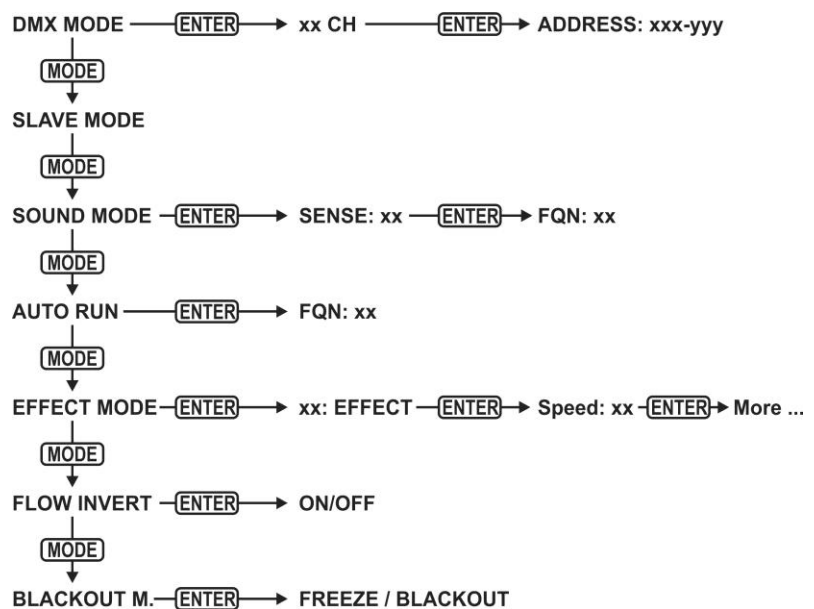


## MENU DE CONFIGURATION

Le menu de configuration vous permet de configurer entièrement le projecteur. Tous les paramètres sont mémorisés même lorsque l'appareil est débranché du secteur.

### Parcourir le menu de configuration : Instructions générales pour la configuration.

- Appuyez sur la touche MODE pour parcourir les différentes fonctions du menu configuration jusqu'à ce que la fonction souhaitée s'affiche à l'écran.
- Appuyez sur la touche ENTER pour accéder à la fonction et modifier ses paramètres.
- Le curseur de la valeur à modifier se met à clignoter. Utilisez les touches Haut/Bas pour modifier la valeur.
- Appuyez à nouveau sur la touche ENTER pour confirmer et sélectionner le paramètre suivant à régler.



### MODE + ADRESSE DMX

Permet de définir le mode canal DMX et l'adresse de début.

- Appuyez sur la touche MODE jusqu'à ce que « DMX MODE » s'affiche à l'écran.
- Appuyez sur la touche ENTER : le mode canal (nombre de canaux utilisés) peut être réglé.
- Utilisez les touches Haut/Bas pour changer la valeur du mode canal :
  - **Modes de POWERPIXEL4-RGB :**
    - **03 CH :** les 4 projecteurs en RGB.
    - **04 CH :** les 4 projecteurs en canaux RGB + gradateur maître/audio/effet stroboscopique.
    - **05 CH :** les 4 projecteurs en canaux RGB + gradateur maître + audio + effet stroboscopique.
    - **06 CH :** 2 groupes de 2 projecteurs RGB + RGB.
    - **12 CH :** tous les projecteurs individuellement en RGB.

- **15 CH** : tous les projecteurs individuellement EN RGB + 3 canaux pour des fonctions spéciales.
  - **16 CH** : tous les projecteurs individuellement en RGB + gradateur maître.
  - **Modes de POWERPIXEL8-RGB :**
    - **03 CH** : les 4 projecteurs en RGB.
    - **04 CH** : les 4 projecteurs en canaux RGB + gradateur maître/audio/effet stroboscopique.
    - **05 CH** : les 4 projecteurs en canaux RGB + gradateur maître + audio + effet stroboscopique.
    - **06 CH** : 2 groupes de 4 projecteurs RGB + RGB.
    - **12 CH** : 4 groupes de 2 projecteurs RGB + RGB + RGB + RGB.
    - **24 CH** : tous les projecteurs individuellement en RGB.
    - **27 CH** : tous les projecteurs individuellement en RGB + 3 canaux pour des fonctions spéciales.
    - **32 CH** : tous les projecteurs individuellement en RGB + gradateur maître.
  - Appuyez sur la touche ENTER : l'adresse de début peut être fixée, l'écran affiche l'adresses de début et l'adresses de fin : « xxx-yyy ».
  - Utilisez les touches Haut/Bas pour changer l'adresse de début (xxx).
- Remarque** : Selon le mode canal, l'adresse de fin (yyy) du projecteur change automatiquement. Cela vous facilite la définition de l'adresse de début du prochain projecteur dans la chaîne DMX.

### MODE SLAVE

Permet de mettre le projecteur en mode SLAVE (esclave) : le projecteur reproduit la sortie du maître dans la chaîne.

- Appuyez sur la touche MODE jusqu'à ce que « SLAVE MODE » s'affiche à l'écran.
- Connectez le projecteur à un maître.

**Remarque** : POWERPIXEL4-RGB et POWERPIXEL8-RGB peuvent être combinés sur une ligne, POWERPIXEL8-RGB doit être le maître !

### MODE SONORE

Permet de mettre le projecteur en mode sonore autonome avec différents chenillards en boucle continue.

Appuyez sur la touche MODE jusqu'à ce que « SOUND MODE » s'affiche à l'écran.

- Appuyez sur la touche ENTER : la sensibilité du microphone (SENS) peut être fixée entre 00 et 31.
- Utilisez les touches Haut/Bas pour modifier la valeur.
- Appuyez sur la touche ENTER : la fréquence de répétition (FQN) des chenillards peut être fixée entre 00 et 99.
- Utilisez les touches Haut/Bas pour modifier la valeur.

### MODE AUTOMATIQUE SIMPLE

Permet de mettre le projecteur en mode autonome automatique avec différents chenillards en boucle continue.

Appuyez sur la touche MODE jusqu'à ce que « AUTO RUN » s'affiche à l'écran.

- Appuyez sur la touche ENTER : la fréquence de répétition (FQN) des chenillards peut être fixée entre 00 et 99.
- Utilisez les touches Haut/Bas pour modifier la valeur.

### MODE STANDALONE

Permet de mettre le projecteur en mode autonome automatique avec différentes options et chenillards personnalisés.

- Appuyez sur la touche MODE jusqu'à un nombre compris entre 01. et 14. s'affiche à l'écran.
- Appuyez sur la touche ENTER : Utilisez les touches Haut/Bas pour sélectionner l'une des 14 options/chenillards disponibles.
- Selon l'option/chenillard sélectionné, plusieurs paramètres sont disponibles :
  - **01. STATIC** : (7 couleurs statiques peuvent être sélectionnées.)
    - Appuyez sur la touche ENTER : l'une des 7 couleurs statiques (CL) peut être sélectionnée.
    - Utilisez les touches Haut/Bas pour changer la couleur.
    - Appuyez sur la touche ENTER : la vitesse stroboscopique (Flash) peut être réglée de 00 (pas de flash) à 99 (rapide).
    - Utilisez les touches Haut/Bas pour modifier la valeur.
  - **01. à 12. XXXXX** : (Différents chenillards, y compris le fondu de couleur, changement de couleur, effets météoritiques,...)
    - Appuyez sur la touche ENTER : La vitesse peut être fixée de 01 à 99.

- Utilisez les touches Haut/Bas pour modifier la valeur.
- Appuyez sur la touche ENTER : la vitesse stroboscopique (Flash) peut être réglée de 00 (pas de flash) à 99 (rapide).
- Utilisez les touches Haut/Bas pour modifier la valeur.
- **13. FLOW8 et 14. FLOW9** : (chenillards dans les directions 1 ou 2 avec choix des couleurs).
  - Appuyez sur la touche ENTER : La vitesse peut être fixée de 01 à 99.
  - Utilisez les touches Haut/Bas pour modifier la valeur.
  - Appuyez sur la touche ENTER : la vitesse stroboscopique (Flash) peut être réglée de 00 (pas de flash) à 99 (rapide).
  - Utilisez les touches Haut/Bas pour modifier la valeur.
  - Appuyez sur la touche ENTER : La couleur de base du chenillard (C1) peut être sélectionnée.
  - Utilisez les touches Haut/Bas pour changer la couleur. (Ou panne)
  - Appuyez sur la touche ENTER : La couleur d'exécution du chenillard (C2) peut être sélectionnée.
  - Utilisez les touches Haut/Bas pour changer la couleur. (Ou panne)

### MODE FLOW INVERT (INVERSION DU FLUX)

Permet de changer le sens de rotation des chenillards.

- Appuyez sur la touche MODE jusqu'à ce que « FLOW INVERT » s'affiche à l'écran.
- Utilisez les touches Haut/Bas pour basculer entre ON (activé) et OFF (désactivé).

### MODE BLACKOUT (panne)

Permet de choisir un fonctionnement du projecteur en cas de défaillance du DMX (aucun DMX détecté).

- Appuyez sur la touche MODE jusqu'à ce que « BLACKOUT MODE » s'affiche à l'écran.
- Utilisez les touches Haut/Bas pour basculer entre :
  - **BLACKOUT** : obscurité si aucun DMX n'est détecté.
  - **FREEZE** : le projecteur utilise le dernier signal DMX valide.

*Remarque* : dès l'entrée détecte un signal DMX, le mode blackout ou freeze sera annulé.

## INSTALLATION ELECTRIQUE



**Important** : L'installation électrique doit être effectuée par du personnel qualifié, conformément à la réglementation en matière de sécurité électrique et mécanique dans votre pays.

### AUTONOME AVEC CHENILLARDS INTÉGRÉS :

Utilisez cette fonction lorsque vous voulez un jeu de lumière instantané avec 1 seul projecteur.

- Branchez le projecteur au secteur et l'allumer.
- Sélectionnez l'un des modes suivants dans le menu configuration :
  - **Mode SOUND (sonore)** : Permet d'exécuter des programmes chenillards au rythme de la musique. Reportez-vous à la section « menu de configuration » pour plus d'informations sur les réglages.
  - **Mode STANDALONE (autonome)** : avec un certain contrôle sur le chenillard sélectionné. Reportez-vous à la section « Menu de configuration » pour plus d'informations sur les réglages.
  - **Mode AUTO RUN (exécution automatique)** : Permet d'exécuter des programmes chenillards automatiquement. Reportez-vous à la section « menu de configuration » pour plus d'informations sur les réglages.

### STANDALONE MASTER/SLAVE (AUTONOME MAÎTRE/ESCLAVE) AVEC CHENILLARDS INTÉGRÉS :

Utilisez cette fonction lorsque vous voulez un jeu de lumière instantané avec 1 seul projecteur.

En connectant les unités en maître/esclave, la première unité contrôlera les autres unités pour donner un jeu de lumière automatique synchronisé ou activé par le son.

- Connectez les projecteurs comme illustré dans le dessin ci-dessous.

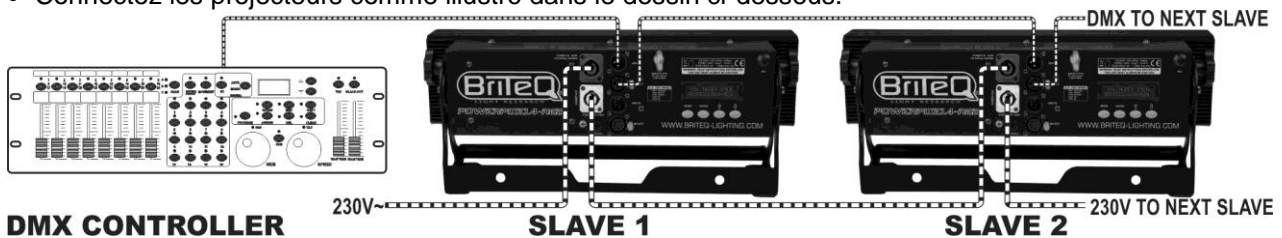


- **Configuration du projecteur maître :** c'est exactement la même procédure que la configuration « STANDALONE (autonome) ».
- **Configuration des projecteurs esclaves :** tous les esclaves doivent être mis sur « SLAVE MODE », reportez-vous à la section « Menu de configuration » pour plus d'informations sur les réglages.

### INSTALLATION ÉLECTRIQUE DE DEUX OU PLUSIEURS UNITÉS EN MODE DMX :

Utilisez cette fonction lorsque vous souhaitez contrôler les projecteurs par un contrôleur DMX quelconque.

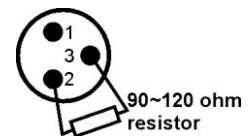
- Connectez les projecteurs comme illustré dans le dessin ci-dessous.



- Mettez d'abord les projecteurs dans le mode DMX souhaité : voir les différents tableaux DMX et choisissez celle qui vous convient le mieux.
- Donnez une adresse de début à tous les projecteurs : chaque projecteur affiche l'adresse de début et de fin, assurez-vous que les adresses ne se chevauchent pas !

### **Quelques informations générales sur DMX :**

- Le protocole DMX est largement utilisé pour contrôler des équipements lumineux intelligents au moyen d'un signal de haute vitesse. Vous devez mettre en chaîne votre contrôleur DMX avec toutes les unités connectées par un câble symétrique de bonne qualité.
- Les deux connecteurs XLR 3 broches et XLR 5 broches sont utilisés, cependant le XLR 3 broches est plus utilisé parce que ces câbles sont compatibles avec les câbles audio symétriques.
- Disposition du XLR 3 broches : Broche 1 = terre ~ Broche 2 = signal négatif (-) ~ Broche 3 = signal positif (+).
- Disposition du XLR 5 broches : Broche 1 = terre ~ Broche 2 = signal négatif (-) ~ Broche 3 = signal positif (+) ~ Broche 4+5 non utilisées.
- Pour éviter un comportement anormal des effets de lumière, à cause des interférences, vous devez utiliser un terminateur de 90Ω à 120Ω à la fin de la chaîne. N'utilisez jamais de séparateurs de câbles en Y, cela ne fonctionne pas !
- Assurez-vous que toutes les unités sont branchées au secteur.
- Chaque effet de lumière dans la chaîne doit avoir sa propre adresse de début afin qu'il sache quelles commandes du contrôleur à décoder.



## **FONCTIONS RDM / CONFIGURATION A DISTANCE**

RDM signifie « Remote Device Management » (gestion des appareils à distance). Ce projecteur fonctionne avec une brève série de fonctions RDM, cela signifie qu'il peut établir une communication bi-directionnelle avec un contrôleur DMX compatible RDM. Certaines de ces fonctions sont brièvement expliquées ci-dessous, d'autres le seront plus loin.

- Le contrôleur DMX envoie une commande « discovery » (détection) ; tous les appareils RDM réagissent en envoyant leur ID unique d'appareil.
- Le contrôleur DMX demande à chaque appareil RDM d'envoyer certaines données de base afin de déterminer les appareils connectés. Le projecteur POWERPIXEL répond par :
  - **Nom de l'appareil :** PIXEL4-RGB ou PIXEL8-RGB
  - **Fabricant :** Briteq®
  - **Catégorie :** Gradateur LED
  - **Micrologiciel :** x.x.x.x (version du micrologiciel du projecteur)
  - **Adresse DMX :** xxx (adresse de début DMX actuelle du projecteur)
  - **Empreinte DMX :** xx (nombre de canaux DMX utilisés par le projecteur)
  - **Personnalité :** xx (personnalité actuelle [ou mode de fonctionnement DMX] utilisé par les projecteurs)
- Le contrôleur DMX peut envoyer certaines commandes à chaque appareil RDM qui permettent la configuration à distance des unités. C'est ainsi que POWERPIXEL peut être configuré à distance.

**Les fonctions suivantes peuvent être gérées à distance :**

Plus besoin d'échelle pour monter et régler les unités une par une !

- **ADRESSE DMX DE DEBUT** : L'adresse de début peut être réglée à distance entre 001 et xxx.
- **PERSONNALITE** : Le mode de fonctionnement DMX (tableaux DMX) peut être réglé à distance.

Ces 2 fonctions permettent de préparer un chemin DMX complet de tous les projecteurs du contrôleur DMX et envoyer ces données à tous les projecteurs à la fois. D'autres fonctions peuvent être ajoutées ultérieurement.

**TABLEAUX DMX**

Pour une compatibilité maximale et afin de pouvoir travailler facilement ensemble, POWERPIXEL4-RGB et POWERPIXEL8-RGB ont les mêmes tableaux DMX. Chaque modèle possède des tableaux DMX spécifiques. Vous trouvez ci-dessous 3 parties : Des tableaux combinés et spécifiques pour POWERPIXEL4-RGB et tableaux spécifiques pour POWERPIXEL8-RGB.

**A/ TABLEAUX DMX COMMUNS A POWERPIXEL4-RGB ET POWERPIXEL8-RGB**

**Mode DMX 3 canaux : tous les pixels fonctionnent ensemble en RGB**

Canal :	Valeur :	Fonction :	Remarques
1	000-255	Rouge (0-100%)	
2	000-255	Vert (0-100%)	
3	000-255	Bleu (0-100%)	

**Mode DMX 4 canaux : tous les pixels qui fonctionnent ensemble en RGB + GRADATEUR MAITRE/EFFET SONORE/STROBOSCOPIQUE**

Canal :	Valeur :	Fonction :	Remarques
1	000-255	Rouge (0-100%)	
2	000-255	Vert (0-100%)	
3	000-255	Bleu (0-100%)	
4	000-190	Gradateur maître	000 = 0% ~ 190 = 100% (ouverture totale)
	191-200	Contrôle du son (7 couleurs)	Sensibilité Audio : 191 = faible ~ 200 = élevée
	201-247	Effet stroboscopique	Vitesse croissante : 201 = lente ~ 247 = rapide
	248-255	Gradateur maître à 100%	Gradateur maître complètement ouverte

**Mode DMX 5 canaux : tous les pixels qui fonctionnent ensemble en RGB + GRADATEUR MAITRE + EFFET SONORE/STROBOSCOPIQUE**

Canal :	Valeur :	Fonction :	Remarques
1	000-255	Rouge (0-100%)	
2	000-255	Vert (0-100%)	
3	000-255	Bleu (0-100%)	
4	000-255	Gradateur maître (0-100%)	
5	000-004	MARCHE	
	005-024	Contrôle du son (7 couleurs)	Sensibilité Audio : 191 = faible ~ 200 = élevée
	025-034	MARCHE	
	035-255	Effet stroboscopique	Vitesse croissante : 201 = lente ~ 247 = rapide

**Mode DMX 15 / 27 canaux : tous les projecteurs individuellement + 3 CH pour fonctions spéciales)**

Les canaux 1 à 15 sont identiques pour les deux projecteurs, les canaux 16 à 27 sont des contrôles de pixels RGB différents supplémentaires pour POWERPIXEL8-RGB.

Valeur CH 1	Fonction CH 1	CH 2	CH 3	CH 4	CH 5	CH 6	... CH 15 ... CH 27																	
000-015	Contrôle RGB via CH 4-15	Maître gradateur		R1 000-255	R1 000-255	B1 000-255	...																	
016-023	Tous les pixels sont rouges	gradateur	EFFET STROBOSCOPIQUE  000 PAD D'EFFET STROBOSCOPIQUE  001-255 LENT A RAPIDE	<table border="1"> <thead> <tr> <th>CH 4 Sélectionner Couleur 1</th> <th>CH 5 Sélectionner Couleur 2</th> </tr> </thead> <tbody> <tr> <td>000-035 RGB</td> <td>000-035 ETEINTES</td> </tr> <tr> <td>036-071 RB</td> <td>036-071 R</td> </tr> <tr> <td>072-107 GB</td> <td>072-107 G</td> </tr> <tr> <td>108-143 RG</td> <td>108-143 B</td> </tr> <tr> <td>144-179 B</td> <td>144-179 RG</td> </tr> <tr> <td>180-215 G</td> <td>180-215 GB</td> </tr> <tr> <td>216-251 R</td> <td>216-251 RB</td> </tr> <tr> <td>252-255 ETEINTES</td> <td>252-255 RGB</td> </tr> </tbody> </table>		CH 4 Sélectionner Couleur 1	CH 5 Sélectionner Couleur 2	000-035 RGB	000-035 ETEINTES	036-071 RB	036-071 R	072-107 GB	072-107 G	108-143 RG	108-143 B	144-179 B	144-179 RG	180-215 G	180-215 GB	216-251 R	216-251 RB	252-255 ETEINTES	252-255 RGB	
CH 4 Sélectionner Couleur 1	CH 5 Sélectionner Couleur 2																							
000-035 RGB	000-035 ETEINTES																							
036-071 RB	036-071 R																							
072-107 GB	072-107 G																							
108-143 RG	108-143 B																							
144-179 B	144-179 RG																							
180-215 G	180-215 GB																							
216-251 R	216-251 RB																							
252-255 ETEINTES	252-255 RGB																							
024-031	Tous les pixels sont verts	gradateur																						
032-039	Tous les pixels sont bleus	gradateur																						
040-047	Tous les pixels sont rouges/verts	gradateur																						
048-055	Tous les pixels sont verts/bleus	gradateur																						
056-063	Tous les pixels sont rouges/bleus	gradateur																						
064-071	Tous les pixels sont RGB	gradateur																						
072-079	Couleur 1	gradateur																						
080-087	Couleur 2	gradateur																						
088-095	Couleur 3	gradateur																						
096-103	Couleur 4	gradateur																						
104-111	Couleur 5	gradateur																						
112-119	Couleur 6	gradateur																						
120-127	Couleur 7	gradateur																						
128-135	Couleur 8	gradateur																						
136-143	CFADE	VITESSE																						
144-151	EFFETS METEORITIQUES																							
152-159	FONDU																							
160-167	CHANGE																							
168-175	FLOW1																							
176-183	FLOW2																							
184-191	FLOW3																							
192-199	FLOW4																							
200-207	FLOW5																							
208-215	FLOW6																							
216-223	FLOW7	000-255 LENT A RAPIDE																						
224-231	FLOW8																							
232-239	FLOW9																							
240-255	MODE SONORE	SENS 000-255 FAIBLE À ÉLEVÉ																						

**B/ TABLEAUX DMX POUR POWERPIXEL4-RGB SEULEMENT**

Mode DMX 6 canaux : 2 groupes de 2 projecteurs, contrôle RGB

Canal :	Valeur :	Fonction :	Remarques
1	000-255	Rouge (0-100%)	Contrôle pour pixels 1+2
2	000-255	Vert (0-100%)	Contrôle pour pixels 1+2
3	000-255	Bleu (0-100%)	Contrôle pour pixels 1+2
4	000-255	Rouge (0-100%)	Contrôle pour pixels 3+4
5	000-255	Vert (0-100%)	Contrôle pour pixels 3+4
6	000-255	Bleu (0-100%)	Contrôle pour pixels 3+4

Mode DMX 12 canaux : tous les projecteurs individuellement contrôlés via RGB

Canal :	Valeur :	Fonction :	Remarques
1	000-255	Rouge (0-100%)	Contrôle pour pixel 1
2	000-255	Vert (0-100%)	Contrôle pour pixel 1
3	000-255	Bleu (0-100%)	Contrôle pour pixel 1
4	000-255	Rouge (0-100%)	Contrôle pour pixel 2
5	000-255	Vert (0-100%)	Contrôle pour pixel 2
6	000-255	Bleu (0-100%)	Contrôle pour pixel 2
7	000-255	Rouge (0-100%)	Contrôle pour pixel 3
8	000-255	Vert (0-100%)	Contrôle pour pixel 3
9	000-255	Bleu (0-100%)	Contrôle pour pixel 3
10	000-255	Rouge (0-100%)	Contrôle pour pixel 4
11	000-255	Vert (0-100%)	Contrôle pour pixel 4
12	000-255	Bleu (0-100%)	Contrôle pour pixel 4

Mode DMX 16 canaux : tous les projecteurs individuellement contrôlés via RGB+GRADATION

Canal :	Valeur :	Fonction :	Remarques
1	000-255	Rouge (0-100%)	Contrôle pour pixel 1
2	000-255	Vert (0-100%)	Contrôle pour pixel 1
3	000-255	Bleu (0-100%)	Contrôle pour pixel 1
4	000-255	Gradateur maître (0-100%)	Contrôle pour pixel 1
5	000-255	Rouge (0-100%)	Contrôle pour pixel 2
6	000-255	Vert (0-100%)	Contrôle pour pixel 2
7	000-255	Bleu (0-100%)	Contrôle pour pixel 2
8	000-255	Gradateur maître (0-100%)	Contrôle pour pixel 2
9	000-255	Rouge (0-100%)	Contrôle pour pixel 3
10	000-255	Vert (0-100%)	Contrôle pour pixel 3
11	000-255	Bleu (0-100%)	Contrôle pour pixel 3
12	000-255	Gradateur maître (0-100%)	Contrôle pour pixel 3
13	000-255	Rouge (0-100%)	Contrôle pour pixel 4
14	000-255	Vert (0-100%)	Contrôle pour pixel 4
15	000-255	Bleu (0-100%)	Contrôle pour pixel 4
16	000-255	Gradateur maître (0-100%)	Contrôle pour pixel 4



**C/ TABLEAUX DMX POUR POWERPIXEL8-RGB SEULEMENT**

Mode DMX 6 canaux : 2 groupes de 4 projecteurs, contrôle RGB

Canal :	Valeur :	Fonction :	Remarques
1	000-255	Rouge (0-100%)	Contrôle pour pixels 1+2+3+4
2	000-255	Vert (0-100%)	Contrôle pour pixels 1+2+3+4
3	000-255	Bleu (0-100%)	Contrôle pour pixels 1+2+3+4
4	000-255	Rouge (0-100%)	Contrôle pour pixels 5+6+7+8
5	000-255	Vert (0-100%)	Contrôle pour pixels 5+6+7+8
6	000-255	Bleu (0-100%)	Contrôle pour pixels 5+6+7+8

Mode DMX 12 canaux : 4 groupes de 2 projecteurs, contrôle RGB

Canal :	Valeur :	Fonction :	Remarques
1	000-255	Rouge (0-100%)	Contrôle pour pixels 1+2
2	000-255	Vert (0-100%)	Contrôle pour pixels 1+2
3	000-255	Bleu (0-100%)	Contrôle pour pixels 1+2
4	000-255	Rouge (0-100%)	Contrôle pour pixels 3+4
5	000-255	Vert (0-100%)	Contrôle pour pixels 3+4
6	000-255	Bleu (0-100%)	Contrôle pour pixels 3+4
7	000-255	Rouge (0-100%)	Contrôle pour pixels 5+6
8	000-255	Vert (0-100%)	Contrôle pour pixels 5+6
9	000-255	Bleu (0-100%)	Contrôle pour pixels 5+6
10	000-255	Rouge (0-100%)	Contrôle pour pixels 7+8
11	000-255	Vert (0-100%)	Contrôle pour pixels 7+8
12	000-255	Bleu (0-100%)	Contrôle pour pixels 7+8

Mode DMX 24 canaux : tous les projecteurs individuellement contrôlés via RGB

Canal :	Valeur :	Fonction :	Remarques
1	000-255	Rouge (0-100%)	Contrôle pour pixel 1
2	000-255	Vert (0-100%)	Contrôle pour pixel 1
3	000-255	Bleu (0-100%)	Contrôle pour pixel 1
4	000-255	Rouge (0-100%)	Contrôle pour pixel 2
5	000-255	Vert (0-100%)	Contrôle pour pixel 2
6	000-255	Bleu (0-100%)	Contrôle pour pixel 2
7 ... 21	000-255	...	<b>Contrôle pour pixels 3 à 7</b>
22	000-255	Rouge (0-100%)	Contrôle pour pixel 8
23	000-255	Vert (0-100%)	Contrôle pour pixel 8
24	000-255	Bleu (0-100%)	Contrôle pour pixel 8

Mode DMX 32 canaux : tous les projecteurs individuellement contrôlés via RGB+GRADATION

Canal :	Valeur :	Fonction :	Remarques
1	000-255	Rouge (0-100%)	Contrôle pour pixel 1
2	000-255	Vert (0-100%)	Contrôle pour pixel 1
3	000-255	Bleu (0-100%)	Contrôle pour pixel 1
4	000-255	Gradateur maître (0-100%)	Contrôle pour pixel 1
5	000-255	Rouge (0-100%)	Contrôle pour pixel 2
6	000-255	Vert (0-100%)	Contrôle pour pixel 2
7	000-255	Bleu (0-100%)	Contrôle pour pixel 2
8	000-255	Gradateur maître (0-100%)	Contrôle pour pixel 2
9 ... 28	000-255	...	<b>Contrôle pour pixels 3 à 7</b>
29	000-255	Rouge (0-100%)	Contrôle pour pixel 8
30	000-255	Vert (0-100%)	Contrôle pour pixel 8
31	000-255	Bleu (0-100%)	Contrôle pour pixel 8
32	000-255	Gradateur maître (0-100%)	Contrôle pour pixel 8

## FONCTIONS RDM / CONFIGURATION A DISTANCE

RDM signifie « Remote Device Management » (gestion des appareils à distance). Ce projecteur fonctionne avec une brève série de fonctions RDM, cela signifie qu'il peut établir une communication bi-directionnelle avec un contrôleur DMX compatible RDM. Certaines de ces fonctions sont brièvement expliquées ci-dessous, d'autres le seront plus loin.

- Le contrôleur DMX envoie une commande « discovery » (détection) ; tous les appareils RDM réagissent en envoyant leur ID unique d'appareil.
- Le contrôleur DMX demande à chaque appareil RDM d'envoyer certaines données de base afin de déterminer les appareils connectés. Le projecteur POWERPIXEL répond par :
  - **Nom de l'appareil** : PIXEL4-RGB ou PIXEL8-RGB
  - **Fabricant** : Briteq®
  - **Catégorie** : Gradateur LED
  - **Micrologiciel** : x.x.x.x (version du micrologiciel du projecteur)
  - **Adresse DMX** : xxx (adresse de début DMX actuelle du projecteur)
  - **Empreinte DMX** : xx (nombre de canaux DMX utilisés par le projecteur)
  - **Personnalité** : xx (personnalité actuelle [ou mode de fonctionnement DMX] utilisé par les projecteurs)
- Le contrôleur DMX peut envoyer certaines commandes à chaque appareil RDM qui permettent la configuration à distance des unités. C'est ainsi que POWERPIXEL peut être configuré à distance.

### Les fonctions suivantes peuvent être gérées à distance :

Plus besoin d'échelle pour monter et régler les unités une par une !

- **ADRESSE DMX DE DEBUT** : L'adresse de début peut être réglée à distance entre 001 et xxx.
- **PERSONNALITE** : Le mode de fonctionnement DMX (tableaux DMX) peut être réglé à distance.

Ces 2 fonctions permettent de préparer un chemin DMX complet de tous les projecteurs du contrôleur DMX et envoyer ces données à tous les projecteurs à la fois. D'autres fonctions peuvent être ajoutées ultérieurement.

## ENTRETIEN

- Assurez-vous qu'aucune personne étrangère ne se trouve dans la zone en dessous de l'emplacement d'installation durant l'entretien.
- Eteignez l'appareil, débranchez le câble secteur et attendez que l'appareil refroidisse.

### Lors de l'inspection les points suivants doivent être vérifiés :

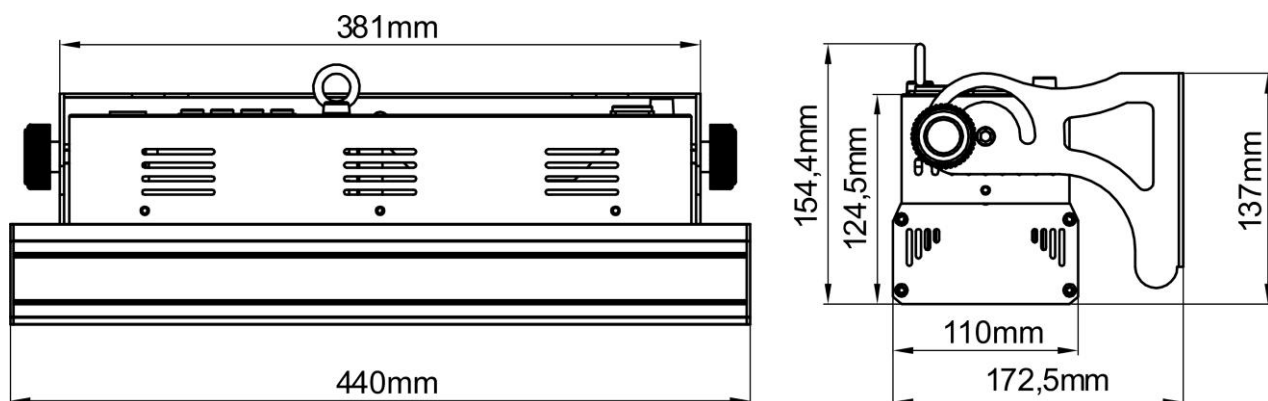
- Toutes les vis utilisées pour l'installation de l'appareil et chacune de ses composantes doivent être solidement fixées et ne peuvent être rouillées.
- Les boîtiers, les supports et les boutons d'installation (plafond, poutre, suspensions) ne doivent pas être déformés.
- Quand une lentille optique est visiblement endommagée en raison de fissures ou de rayures profondes, elle doit être remplacée.
- Les câbles d'alimentation doit être dans un état impeccable et doivent être remplacés immédiatement même si un petit problème est détecté.
- Afin de protéger l'appareil de toute surchauffe, les ventilateurs de rafraîchissement (le cas échéant) et les ouvertures de ventilation doivent être nettoyés mensuellement.
- L'intérieur de l'appareil doit être nettoyé une fois par an à l'aide d'un aspirateur ou d'un jet d'air.
- Le nettoyage des lentilles optiques et/ou miroirs internes et externes doit être effectué périodiquement pour optimiser le flux lumineux. La fréquence de nettoyage dépend de l'environnement dans lequel le projecteur est utilisé : des environnements humides, enfumés ou particulièrement sales peuvent causer l'accumulation de saleté sur l'optique de l'appareil.
  - Nettoyez avec un chiffon doux en utilisant des produits de nettoyage pour verre normal.
  - Séchez toujours les pièces soigneusement.

**Attention : Nous vous conseillons fortement de faire effectuer le nettoyage interne par un personnel qualifié !**

## SPÉCIFICATIONS

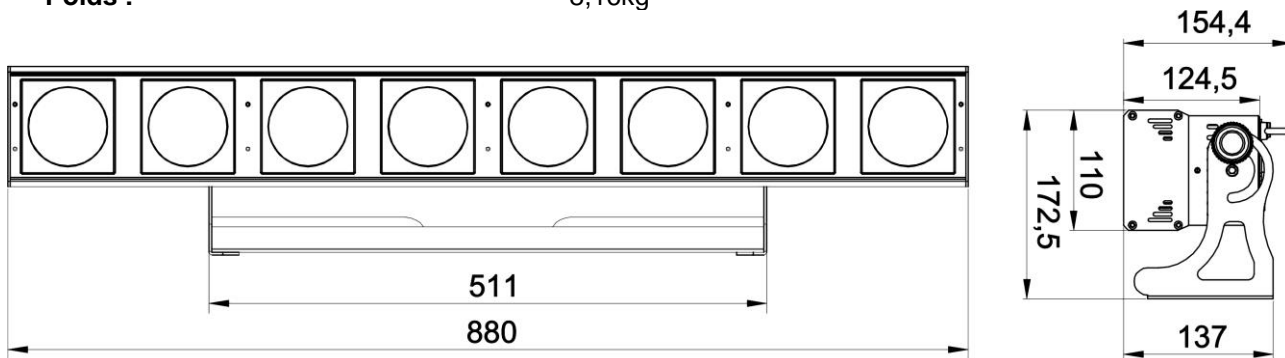
### POWERPIXEL4-RGB

Tension d'entrée :	110 - 240VAC, 50/60Hz
Consommation :	160 Watt max.
Fusible :	250V T2A (verre de 20mm)
Réglage du son :	Microphone interne
Connexions DMX :	XLR 3 et 5 broches et mâle/femelle
Canaux DMX utilisés :	Canaux 3+4+5+6+12+15+16
Lampe :	4x RGB 30W COB
Fréquence de rafraîchissement LED :	1200Hz
Angle de faisceau :	60°
Dimensions :	440 x 172,5 x 154,4mm
Poids :	5,20kg



### POWERPIXEL8-RGB

Tension d'entrée :	110 - 240VAC, 50/60Hz
Consommation :	290 Watt max.
Fusible :	250V T2A (verre de 20mm)
Réglage du son :	Microphone interne
Connexions DMX :	XLR 3 et 5 broches et mâle/femelle
Canaux DMX utilisés :	Canaux 3+4+5+6+12+24+27+32
Lampe :	8x RGB 30W COB
Fréquence de rafraîchissement LED :	1200Hz
Angle de faisceau :	60°
Dimensions :	880 x 172,5 x 154,4mm
Poids :	8,16kg



Les informations peuvent être modifiées sans préavis  
 Vous pouvez télécharger la dernière version de ce manuel sur notre site web :  
[www.briteq-lighting.com](http://www.briteq-lighting.com)

# GEBRUIKSAANWIJZING

Hartelijk dank voor de aankoop van dit BRITEQ® product. Om ten volle van alle mogelijkheden te profiteren en in belang van uw eigen veiligheid, lees deze bedieningsinstructies zorgvuldig voordat u deze eenheid begint te gebruiken.

## KENMERKEN

Deze eenheid is radiostoring onderdrukt. Dit product voldoet aan de eisen van de huidige Europese en nationale richtlijnen. Conformiteit werd aangetoond en de desbetreffende verklaringen en documenten zijn door de fabrikant gedeponneerd.

- Dit apparaat is ontworpen om decoratieve effectverlichting te produceren en wordt in lichtshowsystemen gebruikt.
- Krachtige LED-projector voor gebruik binnenshuis, uitgerust met 4 of 8 stuks 30W COB RGB-LED's.
- Dankzij de zeer brede 60° straalhoek, is deze projector de ideale oplossing voor "kort bereik" toepassingen zoals muurbestraling, maar ook fantastisch op concertpodia, in theaters, disco's, showrooms, ...
- Dankzij de RGB-puntbronnen zijn er absoluut geen kleurschaduwen.
- Absoluut perfecte kleurenmix, zelfs binnen zeer kort bereik.
- Voortreffelijk ingebouwde programma's voor prachtige gevarieerde lichtshows.
- Uitstekende 16bit RGB-kleurenmix en dimfunctie tot op 0%.
- Compleet geluidsloze werking, dankzij het natuurlijke convectiekoelsysteem.
- Toont werk in alleenstaande modus, als master/slave of selecteerbaar via DMX:
  - Statische kleuren
  - Vervagende kleuren
  - Verschillende statische chases
  - Verschillende geluidgeactiveerd chases
- Volledige DMX-bediening met verschillende kanaalmodi, met een bereik van simpele 3CH-modus tot 16CH/32CH-modus voor complete RGB+DIM-bediening van elke individuele pixel.
- RDM-functionaliteit voor eenvoudige afstandinstelling: DMX-adressering, kanaalmodus, ...
- Alfanumerieke 2x16 karakters LCD-display met achtergrondlicht voor eenvoudige menunavigatie.
- Neutrik PowerCON in/uitgangen: eenvoudig doorlussen van verschillende eenheden.
- Beide 3-polige & 5-polige DMX-in/uitgangen voor maximale compatibiliteit.
- Uiterst efficiënt en laag stroomverbruik!
- Multifunctionele beugel, ontworpen voor beide vloer- en spantmontage.

## VÓÓR GEBRUIK

- Voordat u dit apparaat begint te gebruiken, controleer of er geen transportschade aanwezig is. Mocht er schade zijn, gebruik het apparaat niet en raadpleeg eerst uw dealer.
- **Belangrijk:** Dit apparaat verliet de fabriek in perfecte staat en goed verpakt. Het is absoluut noodzakelijk voor de gebruiker om de veiligheidsinstructies en waarschuwingen in deze handleiding strikt op te volgen. Eventuele schade veroorzaakt door verkeerd gebruik valt niet onder de garantie. De dealer zal geen aansprakelijkheid accepteren voor eventuele fouten of problemen veroorzaakt door het negeren van deze handleiding.
- Bewaar dit boekje op een veilige plaats voor toekomstige raadpleging. Als u de armatuur verkoopt, vergeet niet om deze handleiding erbij te voegen.

### Controleer de inhoud:

Controleer of de doos de volgende artikelen bevat:

- Bedieningsinstructies
- POWERPIXEL-RGB
- PowerCON voedingskabel

## VEILIGHEIDSINSTRUCTIES:



**OPGELET:** Om het risico van elektrische schokken te verkleinen, verwijder de bovenafdekking niet. Er bevinden zich geen onderdelen binnenin die door de gebruiker onderhouden moeten worden. Laat het onderhoud alleen door gekwalificeerd onderhoudspersoneel uitvoeren.



De bliksemschicht met pijl binnenin een gelijkzijdige driehoek is bedoeld om de gebruiker te waarschuwen op de aanwezigheid van ongeïsoleerde "gevaarlijke spanning" binnen de behuizing van het product dat van voldoende omvang is om een risico op elektrische schokken te vormen.



Het uitroepteken binnen een gelijkzijdige driehoek is bedoeld om de gebruiker te waarschuwen op de aanwezigheid van belangrijke gebruik- en onderhoudsinstructies in de documentatie die met dit apparaat meekomen.



Dit symbool betekent: alleen gebruik binnenshuis



Dit symbool betekent: Lees de instructies



Dit symbool bepaalt: de minimale afstand tot de verlichte objecten. De minimale afstand tussen de lichtbron en het verlichte voorwerp moet meer dan 1 meter zijn.



Het apparaat is niet geschikt voor directe montage op normale brandbare oppervlakken. (alleen geschikt voor montage op onbrandbare oppervlakken)



**OPGELET:** Kijk niet naar een werkende lamp. Het kan schadelijk zijn voor de ogen.

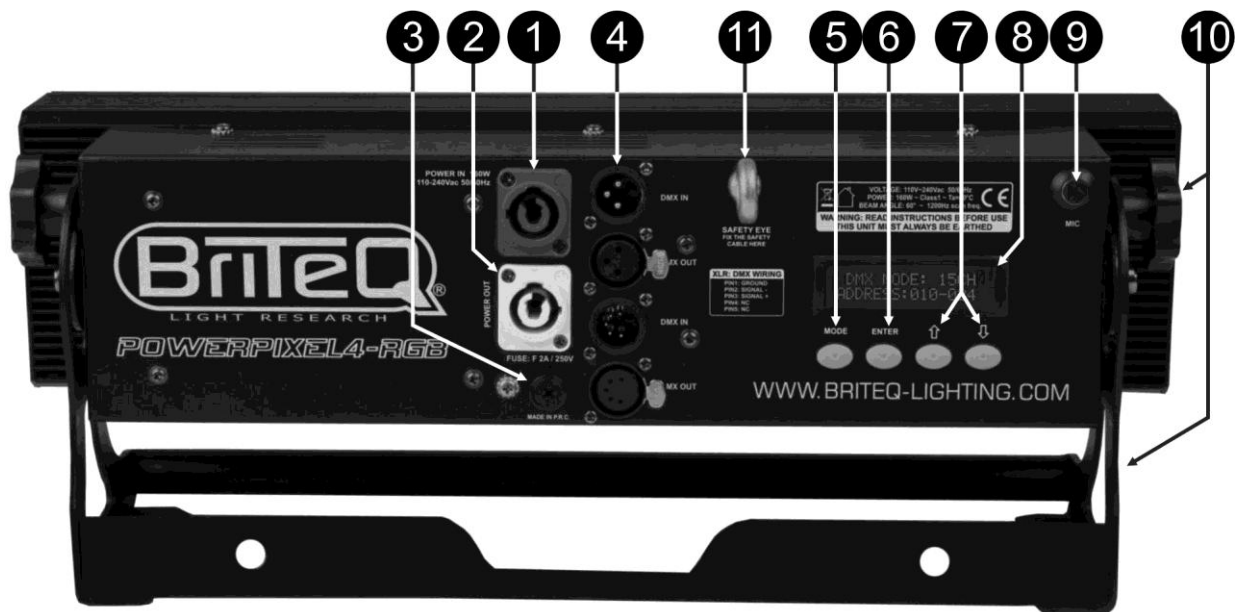
- Om het milieu te beschermen, probeer het verpakkingsmateriaal zoveel mogelijk te recyclen.
- Om brand of elektrische schokgevaar te voorkomen, stel dit apparaat niet aan regen of vocht bloot.
- Om te voorkomen dat binnenin condensatie wordt gevormd, laat het apparaat aan de omgevingstemperatuur aanpassen wanneer het na transport in een warme kamer wordt gebracht. Condens verhindert soms het apparaat op volle capaciteit te werken of kan zelfs schade veroorzaken.
- Dit apparaat is uitsluitend geschikt voor gebruik binnenshuis.
- Plaats geen metalen voorwerpen of mors geen vloeistoffen in het toestel. Elektrische schokken of storing kunnen het gevolg zijn. Als een vreemd voorwerp in het apparaat terechtkomt, trek onmiddellijk de stekker uit het stopcontact.
- Plaats de armatuur op een goed geventileerde plek, uit de buurt van brandbare materialen en/of vloeistoffen. De armatuur moet op minstens 50cm vanaf de omringende muren worden bevestigd.
- Bedek geen ventilatieopeningen, omdat dit tot oververhitting kan leiden.
- Voorkom het gebruik in stoffige omgevingen en maak het apparaat regelmatig schoon.
- Houd het apparaat buiten bereik van kinderen.
- Onervaren personen mogen dit apparaat niet bedienen.
- De maximaal veilige omgevingstemperatuur is 40°C. Gebruik deze eenheid niet bij hogere omgevingstemperaturen.
- Zorg ervoor dat het gebied onder de installatieplaats tijdens het takelen, onttakelen en onderhoud, vrij is van ongewenste personen.
- Laat het apparaat ongeveer 10 minuten afkoelen alvorens met onderhoud te beginnen.
- Ontkoppel altijd het apparaat wanneer het voor een langere tijd niet wordt gebruikt of alvorens het onderhoud te beginnen.
- De elektrische installatie dient alleen door gekwalificeerd personeel te worden uitgevoerd, in overeenstemming met de voorschriften voor elektrische en mechanische veiligheid in uw land.
- Controleer of de beschikbare spanning niet hoger is dan aangegeven op het apparaat.
- Het netsnoer moet altijd in perfecte staat zijn. Schakel het apparaat onmiddellijk uit als het netsnoer is platgeknepen of beschadigd. Het moet door de fabrikant, zijn vertegenwoordiger, of door een vergelijkbaar bevoegde persoon worden vervangen, om een gevaar te voorkomen.
- Laat het netsnoer nooit met andere kabels in contact komen!
- Deze armatuur moet worden geaard om aan de veiligheidsvoorschriften te voldoen.
- Sluit het apparaat niet aan op een dimmerpack.
- Gebruik bij het installeren van het apparaat altijd een geschikte en gecertificeerde veiligheidskabel.
- Om elektrische schokken te voorkomen, open de afdekking niet. Afgezien van de zekering zijn er geen te onderhouden onderdelen binnenin aanwezig.

- Repareer **nooit** een zekering of sluit nooit de zekeringhouder kort. Vervang **altijd** een kapotte zekering met een zekering van hetzelfde type en elektrische specificaties!
- In het geval van ernstige problemen, stop met het gebruik van de armatuur en neem onmiddellijk contact op met uw dealer.
- De behuizing en de lenzen moeten worden vervangen als ze zichtbaar beschadigd zijn.
- Gebruik de originele verpakking als het toestel vervoerd moet worden.
- Vanwege veiligheidsredenen is het verboden om ongeautoriseerde wijzigingen aan het apparaat aan te brengen.

**Belangrijk:** Kijk nooit rechtstreeks in de lichtbron! Gebruik het effect niet in aanwezigheid van personen die aan epilepsie lijden.

## BESCHRIJVING:

*Opmerking: POWERPIXEL4-RGB afgebeeld en POWERPIXEL8-RGB hebben identieke bedieningen & aansluitingen.*



- 1. ENERGIEVOORZIENING:** uitgerust met originele Neutrik PowerCON®. Sluit de meegeleverde voedingskabel hier aan op een willekeurige PowerCON® verlengkabel.
- 2. LICHTNETUITGANG:** gebruikt voor doorlussen om verschillende andere projectors van stroom te voorzien. Let altijd goed op de maximale belasting terwijl u projectors toevoegt! Speciale Multikabels (PowerCON® + DMX XLR-kabels zijn optioneel verkrijgbaar: zie onze website!)
- 3. LICHTNETZEKERING:** beschermt het apparaat in geval van elektriciteitsproblemen, gebruik altijd de aanbevolen zekering!
- 4. DMX IN/UIT:** beide 3-polige en 5-polige in/uitgangen zijn beschikbaar om de projector door te lussen met andere eenheden die door een DMX-controller worden geregeld.
- 5. MODUS-toets:** gebruikt om de verschillende opties van het instellingsmenu te doorlopen.
- 6. ENTER-toets:** gebruikt om tussen verschillende parameters van de geselecteerde optie te wisselen. Bevestigt tevens de geselecteerde waarden van de parameters.
- 7. OMHOOG/OMLAAG-toetsen:** gebruikt om de waarde van de geselecteerde parameter te verhogen/verlagen.
- 8. LCD-DISPLAY:** 2x16 karakters LCD-display met achtergrondlicht voor eenvoudige menunavigatie. Het achtergrondlicht schakelt in zodra een van de toetsen wordt ingedrukt. Toont het model en de softwareversie tijdens het inschakelen.
- 9. MIC:** gebruikt als trigger van de programma's in muziekmodus.
- 10. BEUGEL:** multifunctioneel en zeer stabiel ontwerp voor beide vloer- en spantmontage. De projector kan in elke willekeurige richting worden georiënteerd.
- 11. VEILIGHEIDSOOGBOUW:** wordt gebruikt om een veiligheidskabel te bevestigen wanneer het apparaat is opgetuigd (zie paragraaf "Hijsen boven personen").

## HIJSEN BOVEN PERSONEN

- **Belangrijk:** De installatie mag alleen door gekwalificeerd onderhoudspersoneel worden uitgevoerd. Onjuiste installatie kan tot ernstig letsel en/of schade aan goederen leiden. Hijzen boven personen vereist veel ervaring! Werklastgrenzen moeten in acht worden genomen, gecertificeerde installatiematerialen moeten worden gebruikt, het geïnstalleerde apparaat moet regelmatig worden gecontroleerd op veiligheid.
- Zorg ervoor dat het gebied onder de installatieplaats tijdens het takelen, onttakelen en onderhoud, vrij is van ongewenste personen.
- Plaats de armatuur op een goed geventileerde plek, uit de buurt van brandbare materialen en/of vloeistoffen. De armatuur moet op **minstens 50cm** vanaf de omringende muren worden bevestigd.
- Het apparaat moet buiten het bereik van mensen en buiten de gebieden waar personen kunnen lopen of zitten worden geïnstalleerd.
- Alvorens te hijzen, controleer of de installatieplek een minimum puntbelasting van 10 keer het gewicht van het apparaat kan dragen.
- Gebruik bij het installeren van het apparaat altijd een gecertificeerde veiligheidskabel die 12 keer het gewicht van het apparaat kan dragen. Deze secundaire veiligheidsbevestiging dient op een zodanige wijze te worden geïnstalleerd zodat geen enkel onderdeel van de installatie meer dan 20cm kan vallen als de hoofdbevestiging het begeeft.
- Het apparaat moet goed worden bevestigd; een vrij pendelende montage is gevaarlijk en mag niet worden overwogen!
- Bedek geen ventilatieopeningen, omdat dit tot oververhitting kan leiden.
- De exploitant moet ervoor zorgen dat de veiligheidgerelateerde en machinetechnische installaties door een deskundige zijn goedgekeurd alvorens deze voor de eerste keer te gebruiken. De installaties moeten ieder jaar door een vakman worden geïnspecteerd om er zeker van te zijn dat de veiligheid nog steeds optimaal is.



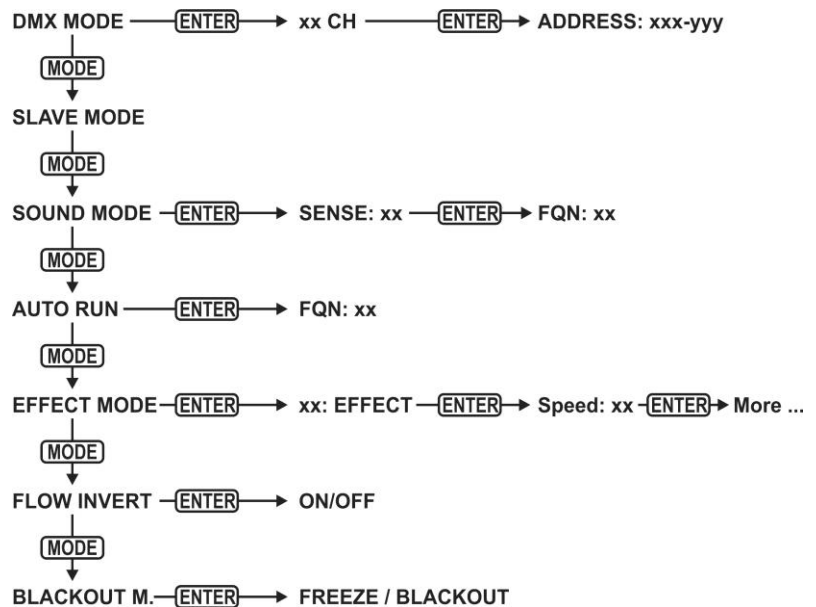
## INSTELLINGSMENU

Gebruik het instellingsmenu om de projector volledig naar wens te configureren. Alle instellingen blijven behouden wanneer het apparaat wordt losgekoppeld van de netvoeding.

### Het instellingsmenu browsen:

#### Algemene instructies voor instellingen.

- Druk op de MODE-toets om de verschillende functies van het instellingsmenu te doorlopen totdat de gewenste functie op de display verschijnt.
- Druk op de ENTER-toets om de functie te openen en de parameters ervan te wijzigen.
- De cursor van de te wijzigen waarde begint te knipperen. Gebruik de OMHOOG/OMLAAG-toetsen om de waarde aan te passen.
- Druk ter bevestiging nogmaals op de ENTER-toets en selecteer de volgende parameter om aan te passen.



### DMX-MODUS + ADRES

Gebruikt om de DMX-kanaalmodus en het startadres in te stellen.

- Druk op de MODE-toets totdat "DMX MODE" op de display verschijnt.
- Druk op de ENTER-toets: de kanaalmodus (aantal gebruikte kanalen) kan nu worden ingesteld.
- Gebruik de OMHOOG/OMLAAG-toetsen om de waarde in te stellen op de gewenste kanaalmodus:
  - **POWERPIXEL4-RGB modi:**
    - **03CH:** alle 4 projectors samen RGB

- **04CH:** alle 4 projectors samen RGB + master-dim/audio/strobekanaal
  - **05CH:** alle 4 projectors samen RGB + master-dim + audio/strobekanaal
  - **06CH:** 2 groepen van 2 projectors RGB + RGB
  - **12CH:** alle projectors individueel RGB
  - **15CH:** alle projectors individueel RGB + 3 kanalen voor speciale functies.
  - **16CH:** alle projectors individueel RGB + master-dim
  - **POWERPIXEL8-RGB modi:**
    - **03CH:** alle 4 projectors samen RGB
    - **04CH:** alle 4 projectors samen RGB + master-dim/audio/strobekanaal
    - **05CH:** alle 4 projectors samen RGB + master-dim + audio/strobekanaal
    - **06CH:** 2 groepen van 4 projectors RGB + RGB
    - **12CH:** 4 groepen van 2 projectors RGB + RGB + RGB + RGB
    - **24CH:** alle projectors individueel RGB
    - **27CH:** alle projectors individueel RGB + 3 kanalen voor speciale functies
    - **32CH:** alle projectors individueel RGB + master-dim
  - Druk op de ENTER-toets: het startadres kan nu worden ingesteld, de display toont startadres + eindadres: "xxx-yyy".
  - Gebruik de OMHOOG/OMLAAG-toetsen om het startadres aan te passen (xxx).
- Opmerking:** Het eindadres (yyy) van de projector verandert automatisch, afhankelijk van de kanaalmodus. Dit maakt het voor u gemakkelijk het startadres in te stellen van de volgende projector in de DMX-reeks.

### SLAVE-MODUS

**Gebruikt om de projector in te stellen op slave-modus: de projector kopieert de uitgang van de master in de serie.**

- Druk op de MODE-toets totdat "SLAVE MODE" op de display verschijnt.
  - Verbind de projector met een master.
- Opmerking:** POWERPIXEL4-RGB en POWERPIXEL8-RGB kunnen in één lijn worden gemixt, waarbij de master een POWERPIXEL8-RGB dient te zijn!

### GELUIDMODUS

**Gebruikt om de projector op alleenstaande geluidsmodus in te stellen met verschillende chases die in eindeloze loops worden afgespeeld.**

Druk op de MODE-toets totdat "SOUND MODE" op de display verschijnt.

- Druk op de ENTER-toets: de gevoeligheid van de microfoon (SENS) kan worden ingesteld van 00 tot 31.
- Gebruik de OMHOOG/OMLAAG-toetsen de waarde te wijzigen.
- Druk op de ENTER-toets: de herhaalsnelheid (FQN) van de chases kan worden ingesteld van 00 tot 99.
- Gebruik de OMHOOG/OMLAAG-toetsen de waarde te wijzigen.

### SIMPELE AUTOMODUS

**Gebruikt om de projector op alleenstaande automodus in te stellen met verschillende chases die in eindeloze loops worden afgespeeld.**

Druk op de MODE-toets totdat "AUTO RUN" op de display verschijnt.

- Druk op de ENTER-toets: de herhaalsnelheid (FQN) van de chases kan worden ingesteld van 00 tot 99.
- Gebruik de OMHOOG/OMLAAG-toetsen de waarde te wijzigen.

### ALLEENSTAANDE MODUS

**Gebruikt om de projector op alleenstaande automodus in te stellen met opties of chases die de gebruiker kan instellen.**

- Druk op de MODE-toets totdat een nummer van "01." tot "14." op regel 1 van de display verschijnt.
- Druk op de ENTER-toets: gebruik de OMHOOG/OMLAAG-toetsen om een van de 14 beschikbare opties/chases te selecteren.
- Er zijn verschillende instellingen op basis van de geselecteerde optie/chase:
  - **01. STATISCH:** (7 statische kleuren kunnen worden geselecteerd.)
    - Druk op de ENTER-toets: een van de 7 statische kleuren (CL) kan worden geselecteerd.
    - Gebruik de OMHOOG/OMLAAG-toetsen de kleur te wijzigen.
    - Druk op de ENTER-toets: de strobosnelheid (Flash) kan worden ingesteld van 00 (geen strobe) tot 99 (snel).
    - Gebruik de OMHOOG/OMLAAG-toetsen de waarde te wijzigen.
  - **01. tot 12. XXXXX:** (verschillende chases, inclusief kleurvervaging, kleurwijziging, meteoreffect, ...)



- Druk op de ENTER-toets: De snelheid kan worden ingesteld van 01 tot 99.
- Gebruik de OMHOOG/OMLAAG-toetsen de waarde te wijzigen.
- Druk op de ENTER-toets: de strobesnelheid (Flash) kan worden ingesteld van 00 (geen strobe) tot 99 (snel).
- Gebruik de OMHOOG/OMLAAG-toetsen de waarde te wijzigen.
- **13. FLOW8 en 14. FLOW9:** (chases in 1 of 2 richtingen met keuze in chasekleuren).
  - Druk op de ENTER-toets: De snelheid kan worden ingesteld van 01 tot 99.
  - Gebruik de OMHOOG/OMLAAG-toetsen de waarde te wijzigen.
  - Druk op de ENTER-toets: de strobesnelheid (Flash) kan worden ingesteld van 00 (geen strobe) tot 99 (snel).
  - Gebruik de OMHOOG/OMLAAG-toetsen de waarde te wijzigen.
  - Druk op de ENTER-toets: De basiskleur van de chase (C1) kan worden geselecteerd.
  - Gebruik de OMHOOG/OMLAAG-toetsen de kleur te wijzigen. (of black-out)
  - Druk op de ENTER-toets: De lopende kleur van de (C2) kan worden geselecteerd.
  - Gebruik de OMHOOG/OMLAAG-toetsen de kleur te wijzigen. (of black-out)

**OMGEKEERDE FLOWMODUS**

**Gebruikt om de bedrijfsrichting van de chases te veranderen.**

- Druk op de MODE-toets totdat "FLOW INVERT" op de display verschijnt.
- Gebruik de OMLAAG/OMHOOG-toetsen om tussen AAN en UIT te wisselen.

**BLACK-OUTMODUS**

**Gebruikt om het gedrag van de projector te selecteren wanneer DMX faalt (geen DMX waargenomen).**

- Druk op de MODE-toets totdat "BLACKOUT MODE" op de display verschijnt.
- Gebruik de OMHOOG/OMLAAG-toetsen om te wisselen tussen:
  - **BLACKOUT:** uitgang wordt zwart terwijl er geen DMX wordt waargenomen.
  - **FREEZE:** uitgang gebaseerd op het laatste geldige DMX-signaal wordt op de projector gehouden.

*Opmerking: zodra de ingang een DMX-signaal waarneemt, vervalt de blackout- of freeze-modus.*

**ELEKTRISCHE INSTALLATIE**



**Belangrijk:** De elektrische installatie dient alleen door gekwalificeerd personeel te worden uitgevoerd, in overeenstemming met de voorschriften voor elektrische en mechanische veiligheid in uw land.

**ALLEENSTAAND MET INGEBOUWDE CHASES:**

Gebruik deze functie wanneer u een onmiddellijke show wilt op slechts 1 projector.

- Sluit de projector aan op netvoeding en schakel het in.
- Selecteer een van de volgende modi in het instellingsmenu:
  - **GELUID-modus:** als u wilt dat chaseprogramma's op het ritme van de drums werken. Lees de sectie "instellingsmenu" voor meer informatie over de instellingen.
  - **ALLEENSTAANDE modus:** als u wilt dat chaseprogramma's automatisch werken, maar wel een bepaalde controle wilt hebben over de geselecteerde chase. Lees de sectie "instellingsmenu" voor meer informatie over de instellingen.
  - **AUTOWERKING-modus:** als u wilt dat chaseprogramma's automatisch werken. Lees de sectie "instellingsmenu" voor meer informatie over de instellingen.

**ALLEENSTAAND MASTER/SLAVE MET INGEBOUWDE CHASES:**

Gebruik deze functie wanneer u een onmiddellijke show wilt op slechts 1 projector.

Door de eenheden in een master/slave-verbinding samen te voegen, zal de eerste eenheid de andere eenheden bedienen voor een gesynchroniseerde automatische of geluidgeactiveerde lichtshow.

- Verbind de projectors zoals te zien in de afbeelding hieronder.



- **Instelling van de master:** exact dezelfde procedure als voor de “STANDALONE” instelling.
- **Instelling van de slaves:** alle slaves dienen te worden ingesteld op “SLAVE MODE”, lees de sectie “instellingsmenu” voor meer informatie over de instellingen.

**ELEKTRISCHE INSTALLATIE VOOR TWEE OF MEER EENHEDEN IN DE DMX-MODUS:**

Gebruik deze functie wanneer u de projectors wilt bedienen door een willekeurige DMX-controller.

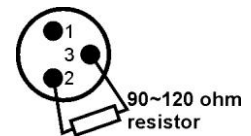
- Verbind de projectors zoals te zien in de afbeelding hieronder.



- Stel eerst de projectors in op de gewenste DMX-modus: zie de verschillende DMX-overzichten en kies de meest geschikte modus.
- Geef alle projectors een startadres: elke projector toont zijn startadres + eindadres, zorg ervoor dat de adressen niet overlappen!

**Wat algemene informatie over DMX:**

- De DMX-protocol is een veel gebruikte hoge snelheidssignaal om intelligente lichtapparatuur te bedienen. U moet uw DMX-controller in “daisychain” koppelen en alle aangesloten apparaten met een goede kwaliteit gebalanceerde kabel linken.
- Zowel XLR-3-pins en XLR-5-pins connectors worden gebruikt, maar de XLR-3-pins is populairder omdat deze kabels compatibel met gebalanceerde audiokabels zijn.
- Pinbezetting XLR-3-pins: Pin1 = GND ~ Pin2 = Negatief signaal (-) ~ Pin3 = Positief signaal (+).
- Pinbezetting XLR-5-pins: Pin1 = GND ~ Pin2 = Negatief signaal (-) ~ Pin3 = Positief signaal (+) ~ Pinnen 4+5 niet gebruikt.
- Om vreemd gedrag van de lichteffecten als gevolg van storingen te voorkomen, moet u een 90Ω tot 120Ω terminator aan het eind van de keten gebruiken. Gebruik nooit Y-splitter-kabels, dit zal gewoon niet werken!
- Zorg ervoor dat alle apparaten op het lichtnet zijn aangesloten.
- Elk lichteffect in de keten heeft een goed startadres nodig, zodat het weet welke commando's van de controller het moet decoderen.



**RDM-FUNCTIES / AFSTANDINSTELLING**

RDM betekent “Remote Device Management”. Deze projector werkt met een beperkte set RDM-functies, dit betekent dat het een tweedirectionele communicatie kan opzetten met een RDM-compatibele DMX-controller. Enkele van deze functies staan hieronder kort uitgelegd, andere functies zullen in de toekomst worden toegevoegd.

- De DMX-controller stuurt een “identificatiecommando”, alle RDM-apparaten reageren en sturen hun uniek apparaat-ID.
- De DMX-controller vraagt elk RDM-apparaat om bepaalde algemene gegevens zodat het kan identificeren welke apparaten zijn verbonden. De POWERPIXEL projector zal reageren:
  - **Apparaatnaam:** PIXEL4-RGB of PIXEL8-RGB
  - **Fabrikant:** Briteq®
  - **Categorie:** LED-dimmer
  - **Firmware:** x.x.x.x (firmwareversie van de projector)
  - **DMX-adres:** xxx (huidig DMX-startadres van de projector)
  - **DMX-aantal:** xx (aantal DMX-kanalen gebruikt door de projector)
  - **Personaliteit:** xx (huidige personaliteit [of DMX-bedrijfsmodus] gebruikt door de projectors)
- De DMX-controller kan bepaalde commando's naar elk RDM-apparaat sturen om de eenheden op afstand in te stellen. Op deze wijze kan de POWERPIXEL op afstand worden ingesteld.

**De volgende functies kunnen op afstand worden ingesteld:**

Geen ladder meer nodig om alle eenheden één voor één in te stellen!

- **DMX-STARTADRES:** Het startadres kan op afstand worden ingesteld van 001 tot xxx.
- **PERSONALITEIT:** De DMX-bedrijfsmodus (DMX-overzicht) kan op afstand worden ingesteld.

Deze 2 functies maken het mogelijk een complete DMX-patch voor te bereiden voor alle projectors op de DMX-controller en deze gegevens naar alle projectors tegelijk te sturen. Er zullen in de toekomst meer functies worden toegevoegd.

**DMX-OVERZICHTEN**

Voor maximum compatibiliteit hebben beide de POWERPIXEL4-RGB en POWERPIXEL8-RGB dezelfde DMX-overzichten, zodat ze soepel met elkaar kunnen werken. Meer geavanceerde DMX-overzichten zijn specifiek voor elk model. Hieronder staan 3 overzichten: Gecombineerde overzichten, specifieke overzichten voor POWERPIXEL4-RGB en specifieke overzichten voor POWERPIXEL8-RGB.

**A/ DMX-OVERZICHTEN VOOR BEIDE POWERPIXEL4-RGB + POWERPIXEL8-RGB**

**3-kanaals DMX-Modus: alle pixels werken samen in RGB**

Kanaal:	Waarde:	Functie:	Opmerkingen
1	000-255	Rood (0-100%)	
2	000-255	Groen (0-100%)	
3	000-255	Blauw (0-100%)	

**4-kanaals DMX-Modus: alle pixels werken samen in RGB + MASTER DIM/GELUID/STROBE**

Kanaal:	Waarde:	Functie:	Opmerkingen
1	000-255	Rood (0-100%)	
2	000-255	Groen (0-100%)	
3	000-255	Blauw (0-100%)	
4	000-190	Master-dimmer	000=0% ~ 190=100% (volledig open)
	191-200	Geluidsregeling (7 kleuren)	Audiogevoeligheid: 191=laag ~ 200=hoog
	201-247	Strobe	Verhoogsnelheid: 201=traag ~ 247=snel
	248-255	Master-dimmer @ 100%	Master-dimmer is volledig open

**5-kanaals DMX-Modus: alle pixels werken samen in RGB + MASTER DIM + GELUID/STROBE**

Kanaal:	Waarde:	Functie:	Opmerkingen
1	000-255	Rood (0-100%)	
2	000-255	Groen (0-100%)	
3	000-255	Blauw (0-100%)	
4	000-255	Master-dimmer (0-100%)	
5	000-004	AAN	
	005-024	Geluidsregeling (7 kleuren)	Audiogevoeligheid: 191=laag ~ 200=hoog
	025-034	AAN	
	035-255	Strobe	Verhoogsnelheid: 201=traag ~ 247=snel

**15/27-kanaals DMX-Modus: alle projectors individueel + 3ch voor speciale functies)**

Kanalen 1 tot 15 zijn identiek voor beide projectors, voor POWERPIXEL8-RGB zijn kanalen 16 tot 27 aanvullende individuele RGB-pixelbedieningen.

CH1 Waarde	CH1 Functie	CH2	CH3	CH4	CH5	CH6	... CH15 ... CH27
000-015	RGB-bediening op CH4-15	Master dimmer		R1 000-255	R1 000-255	B1 000-255	...
016-023	Rood op alle pixels	dimmer					
024-031	Groen op alle pixels	dimmer					
032-039	Blauw op alle pixels	dimmer					
040-047	Rood/Groen op alle pixels	dimmer					
048-055	Groen/Blauw op alle pixels	dimmer					
056-063	Rood/Blauw op alle pixels	dimmer					
064-071	RGB op alle pixels	dimmer					
072-079	Kleur 1	dimmer					
080-087	Kleur 2	dimmer					
088-095	Kleur 3	dimmer					
096-103	Kleur 4	dimmer					
104-111	Kleur 5	dimmer					
112-119	Kleur 6	dimmer					
120-127	Kleur 7	dimmer	STROBE				
128-135	Kleur 8	dimmer					
136-143	CFADE						
144-151	METEOOR						
152-159	FADE		000 GEEN STROBE				
160-167	CHANGE						
168-175	FLOW1						
176-183	FLOW2						
184-191	FLOW3						
192-199	FLOW4						
200-207	FLOW5	SNELHEI D					
208-215	FLOW6						
216-223	FLOW7	000-255 TRAAG TOT SNEL					
224-231	FLOW8			<b>CH4</b> Selecteer Kleur 1	<b>CH5</b> Selecteer Kleur 2		
				000-035 RGB 036-071 RB 072-107 GB 108-143 RG 144-179 B 180-215 G 216-251 R 252-255 UIT	000-035 UIT 036-071 R 072-107 G 108-143 B 144-179 RG 180-215 GB 216-251 RB 252-255 RGB		
232-239	FLOW9						
240-255	GELUIDMODUS	SENS 000-255 LAAG TOT HOOG					

**B/ DMX-OVERZICHTEN VOOR ALLEEN POWERPIXEL4-RGB**

6-kanaals DMX-Modus: 2 groepen van 2 projectors, RGB-bediening

Kanaal:	Waarde:	Functie:	Opmerkingen
1	000-255	Rood (0-100%)	Bediening voor pixels 1+2
2	000-255	Groen (0-100%)	Bediening voor pixels 1+2
3	000-255	Blauw (0-100%)	Bediening voor pixels 1+2
4	000-255	Rood (0-100%)	Bediening voor pixels 3+4
5	000-255	Groen (0-100%)	Bediening voor pixels 3+4
6	000-255	Blauw (0-100%)	Bediening voor pixels 3+4

12-kanaals DMX-Modus: alle projectors individueel RGB-bediend

Kanaal:	Waarde:	Functie:	Opmerkingen
1	000-255	Rood (0-100%)	Bediening voor pixel 1
2	000-255	Groen (0-100%)	Bediening voor pixel 1
3	000-255	Blauw (0-100%)	Bediening voor pixel 1
4	000-255	Rood (0-100%)	Bediening voor pixel 2
5	000-255	Groen (0-100%)	Bediening voor pixel 2
6	000-255	Blauw (0-100%)	Bediening voor pixel 2
7	000-255	Rood (0-100%)	Bediening voor pixel 3
8	000-255	Groen (0-100%)	Bediening voor pixel 3
9	000-255	Blauw (0-100%)	Bediening voor pixel 3
10	000-255	Rood (0-100%)	Bediening voor pixel 4
11	000-255	Groen (0-100%)	Bediening voor pixel 4
12	000-255	Blauw (0-100%)	Bediening voor pixel 4

16-kanaals DMX-Modus: alle projectors individueel RGB+DIM-bediend

Kanaal:	Waarde:	Functie:	Opmerkingen
1	000-255	Rood (0-100%)	Bediening voor pixel 1
2	000-255	Groen (0-100%)	Bediening voor pixel 1
3	000-255	Blauw (0-100%)	Bediening voor pixel 1
4	000-255	Master-Dimmer (0-100%)	Bediening voor pixel 1
5	000-255	Rood (0-100%)	Bediening voor pixel 2
6	000-255	Groen (0-100%)	Bediening voor pixel 2
7	000-255	Blauw (0-100%)	Bediening voor pixel 2
8	000-255	Master-Dimmer (0-100%)	Bediening voor pixel 2
9	000-255	Rood (0-100%)	Bediening voor pixel 3
10	000-255	Groen (0-100%)	Bediening voor pixel 3
11	000-255	Blauw (0-100%)	Bediening voor pixel 3
12	000-255	Master-Dimmer (0-100%)	Bediening voor pixel 3
13	000-255	Rood (0-100%)	Bediening voor pixel 4
14	000-255	Groen (0-100%)	Bediening voor pixel 4
15	000-255	Blauw (0-100%)	Bediening voor pixel 4
16	000-255	Master-Dimmer (0-100%)	Bediening voor pixel 4

**C/ DMX-OVERZICHTEN VOOR ALLEEN POWERPIXEL8-RGB**

**6-kanaals DMX-Modus: 2 groepen van 4 projectors, RGB-bediend**

Kanaal:	Waarde:	Functie:	Opmerkingen
1	000-255	Rood (0-100%)	Bediening voor pixels 1+2+3+4
2	000-255	Groen (0-100%)	Bediening voor pixels 1+2+3+4
3	000-255	Blauw (0-100%)	Bediening voor pixels 1+2+3+4
4	000-255	Rood (0-100%)	Bediening voor pixels 5+6+7+8
5	000-255	Groen (0-100%)	Bediening voor pixels 5+6+7+8
6	000-255	Blauw (0-100%)	Bediening voor pixels 5+6+7+8

**12-kanaals DMX-Modus: 4 groepen van 2 projectors, RGB-bediend**

Kanaal:	Waarde:	Functie:	Opmerkingen
1	000-255	Rood (0-100%)	Bediening voor pixels 1+2
2	000-255	Groen (0-100%)	Bediening voor pixels 1+2
3	000-255	Blauw (0-100%)	Bediening voor pixels 1+2
4	000-255	Rood (0-100%)	Bediening voor pixels 3+4
5	000-255	Groen (0-100%)	Bediening voor pixels 3+4
6	000-255	Blauw (0-100%)	Bediening voor pixels 3+4
7	000-255	Rood (0-100%)	Bediening voor pixels 5+6
8	000-255	Groen (0-100%)	Bediening voor pixels 5+6
9	000-255	Blauw (0-100%)	Bediening voor pixels 5+6
10	000-255	Rood (0-100%)	Bediening voor pixels 7+8
11	000-255	Groen (0-100%)	Bediening voor pixels 7+8
12	000-255	Blauw (0-100%)	Bediening voor pixels 7+8

**24-kanaals DMX-Modus: alle projectors individueel RGB-bediend**

Kanaal:	Waarde:	Functie:	Opmerkingen
1	000-255	Rood (0-100%)	Bediening voor pixel 1
2	000-255	Groen (0-100%)	Bediening voor pixel 1
3	000-255	Blauw (0-100%)	Bediening voor pixel 1
4	000-255	Rood (0-100%)	Bediening voor pixel 2
5	000-255	Groen (0-100%)	Bediening voor pixel 2
6	000-255	Blauw (0-100%)	Bediening voor pixel 2
7 ... 21	000-255	...	Bediening voor pixels 3 tot 7
22	000-255	Rood (0-100%)	Bediening voor pixel 8
23	000-255	Groen (0-100%)	Bediening voor pixel 8
24	000-255	Blauw (0-100%)	Bediening voor pixel 8

**32-kanaals DMX-Modus: alle projectors individueel RGB+DIM-bediend**

Kanaal:	Waarde:	Functie:	Opmerkingen
1	000-255	Rood (0-100%)	Bediening voor pixel 1
2	000-255	Groen (0-100%)	Bediening voor pixel 1
3	000-255	Blauw (0-100%)	Bediening voor pixel 1
4	000-255	Master-Dimmer (0-100%)	Bediening voor pixel 1
5	000-255	Rood (0-100%)	Bediening voor pixel 2
6	000-255	Groen (0-100%)	Bediening voor pixel 2
7	000-255	Blauw (0-100%)	Bediening voor pixel 2
8	000-255	Master-Dimmer (0-100%)	Bediening voor pixel 2
9 ... 28	000-255	...	Bediening voor pixels 3 tot 7
29	000-255	Rood (0-100%)	Bediening voor pixel 8
30	000-255	Groen (0-100%)	Bediening voor pixel 8
31	000-255	Blauw (0-100%)	Bediening voor pixel 8
32	000-255	Master-Dimmer (0-100%)	Bediening voor pixel 8

## RDM-FUNCTIES / AFSTANDINSTELLING

RDM betekent "Remote Device Management". Deze projector werkt met een beperkte set RDM-functies, dit betekent dat het een tweedirectionele communicatie kan opzetten met een RDM-compatibele DMX-controller. Enkele van deze functies staan hieronder kort uitgelegd, andere functies zullen in de toekomst worden toegevoegd.

- De DMX-controller stuurt een "identificatiecommando", alle RDM-apparaten reageren en sturen hun uniek apparaat-ID.
- De DMX-controller vraagt elk RDM-apparaat om bepaalde algemene gegevens zodat het kan identificeren welke apparaten zijn verbonden. De POWERPIXEL projector zal reageren:
  - **Apparaatnaam:** PIXEL4-RGB of PIXEL8-RGB
  - **Fabrikant:** Briteq®
  - **Categorie:** LED-dimmer
  - **Firmware:** x.x.x.x (firmwareversie van de projector)
  - **DMX-adres:** xxx (huidig DMX-startadres van de projector)
  - **DMX-aantal:** xx (aantal DMX-kanalen gebruikt door de projector)
  - **Personaliteit:** xx (huidige personaliteit [of DMX-bedrijfsmodus] gebruikt door de projectors)
- De DMX-controller kan bepaalde commando's naar elk RDM-apparaat sturen om de eenheden op afstand in te stellen. Op deze wijze kan de POWERPIXEL op afstand worden ingesteld.

### De volgende functies kunnen op afstand worden geregeld:

Geen ladder meer nodig om alle eenheden één voor één in te stellen!

- **DMX-STARTADRES:** Het startadres kan op afstand worden ingesteld van 001 tot xxx.
- **PERSONALITEIT:** De DMX-bedrijfsmodus (DMX-overzicht) kan op afstand worden ingesteld.

Deze 2 functies maken het mogelijk een complete DMX-patch voor te bereiden voor alle projectors op de DMX-controller en deze gegevens naar alle projectors tegelijk te sturen. Er zullen in de toekomst meer functies worden toegevoegd.

## ONDERHOUD

- Zorg ervoor dat het gebied onder de installatieplaats tijdens het takelen, onttakelen en onderhoud vrij is van ongewenste personen.
- Schakel het apparaat uit, ontkoppel het netsnoer en wacht totdat het apparaat is afgekoeld.

### Tijdens de inspectie moeten de volgende punten worden gecontroleerd:

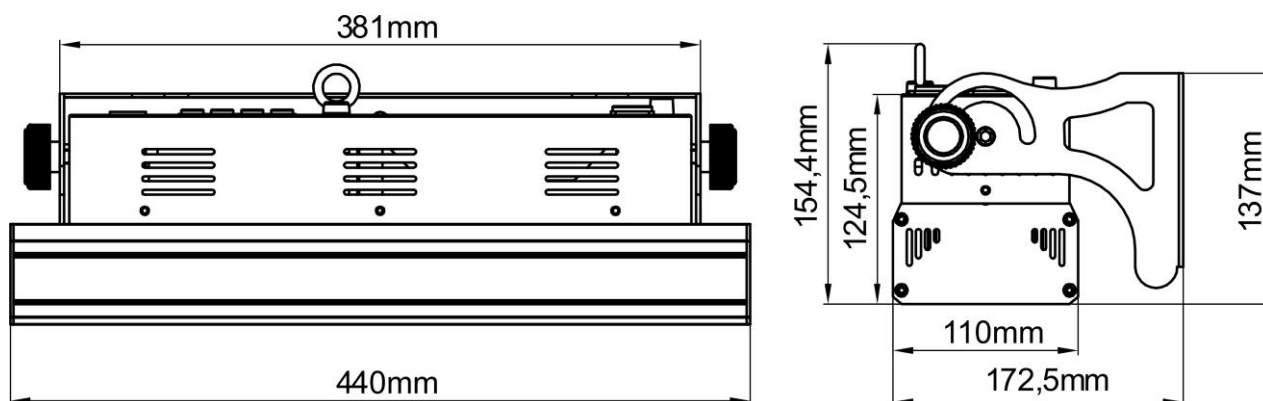
- Alle schroeven gebruikt voor het installeren van het apparaat of onderdelen van het apparaat, moeten stevig worden bevestigd en mogen niet gecorrodeerd zijn.
- Behuizingen, bevestigingen en installatieplaatsen (plafond, dragers, ophangingen) moeten volledig vrij van vervorming zijn.
- Wanneer een optische lens zichtbaar door scheuren of diepe krassen is beschadigd, moet het worden vervangen.
- De netsnoeren moeten in perfecte conditie zijn en onmiddellijk worden vervangen wanneer zelfs een klein probleem wordt gedetecteerd.
- Om het apparaat tegen oververhitting te beschermen moeten de ventilatoren (indien aanwezig) en ventilatieopeningen maandelijks worden gereinigd.
- Het interieur van het apparaat moeten jaarlijks met een stofzuiger of luchtstraal worden gereinigd.
- Het reinigen van de interne en externe optische lenzen en/of spiegels moet regelmatig worden uitgevoerd om de lichtopbrengst te optimaliseren. De frequentie van reiniging hangt af van de omgeving waarin de armatuur werkt: een vochtige, rokerige of bijzonder vuile omgeving kan leiden tot een grotere opeenhoping van vuil op de optiek van het apparaat.
  - Reinig met een zachte doek met behulp van normale reinigingsmiddelen voor glas.
  - Droog de onderdelen altijd zorgvuldig.

**Opgelet: Wij raden nadrukkelijk aan om het inwendig reinigen door gekwalificeerd personeel uit te laten voeren!**

## SPECIFICATIES

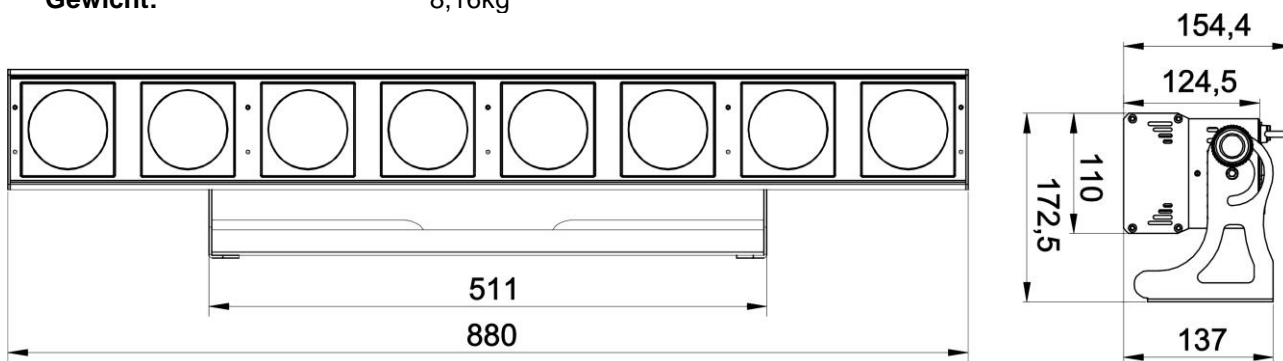
### POWERPIXEL4-RGB

Energievoorziening:	AC 110V - 240V, 50/60Hz
Energieverbruik:	160 Watt max.
Zekering:	250V T2A (20mm glas)
Geluidbesturing:	Ingebouwde microfoon
DMX-aansluitingen:	3-pins & 5-pins XLR mannelijk/vrouwelijk
Gebruikte DMX-kanalen:	3+4+5+6+12+15+16 kanalen
Lamp:	4x RGB 30W COB
LED-verversnelheid:	1200Hz
Straalhoek:	60°
Afmetingen:	440 x 172,5 x 154,4mm
Gewicht:	5,20kg



### POWERPIXEL8-RGB

Energievoorziening:	AC 110V - 240V, 50/60Hz
Energieverbruik:	290 Watt max.
Zekering:	250V T2A (20mm glas)
Geluidbesturing:	Ingebouwde microfoon
DMX-aansluitingen:	3-pins & 5-pins XLR mannelijk/vrouwelijk
Gebruikte DMX-kanalen:	3+4+5+6+12+24+27+32 kanalen
Lamp:	8x RGB 30W COB
LED-verversnelheid:	1200Hz
Straalhoek:	60°
Afmetingen:	880 x 172,5 x 154,4mm
Gewicht:	8,16kg



De informatie kan zonder voorafgaande kennisgeving worden gewijzigd  
 U kunt de nieuwste versie van deze handleiding van onze website downloaden:  
[www.briteq-lighting.com](http://www.briteq-lighting.com)



# BEDIENUNGSANLEITUNG

Vielen Dank für den Kauf dieses Briteq®-Produkts. Bitte lesen Sie bitte diese Bedienungshinweise sorgfältig vor der Inbetriebnahme durch, um alle Möglichkeiten des Geräts voll zu nutzen sowie zu Ihrer eigenen Sicherheit.

## EIGENSCHAFTEN

Dieses Gerät ist entstört. Das Gerät entspricht den aktuellen europäischen Anforderungen und nationalen Richtlinien. Die Konformität wurde nachgewiesen und die entsprechenden Erklärungen und Unterlagen liegen beim Hersteller vor.

- Dieses Gerät wird zur Erzeugung von dekorativen Beleuchtungseffekten in Lichtshows eingesetzt.
- Leistungsstarker LED-Beamer für Innenräume, ausgestattet mit 4 St. oder 8 St. 30W COB RGB-LEDs.
- Dank des sehr breiten 60° Abstrahlwinkels, ist dieser Projektor die perfekte Lösung für die Anwendungen im „Nahbereich“, wie Wandstrahler, sondern auch in großen Bereichen auf Konzertbühnen, in Theatern, Diskotheken, Messeständen...
- Dank der RGB-Punktquellen gibt es absolut keine Farbschatten.
- Absolut perfekte Farbmischung, selbst bei einer sehr nahen Entfernung.
- Hervorragende voreingestellte Programme für wunderschöne, abwechslungsreiche Lightshows.
- Ausgezeichnete 16 Bit RGB-Farbmischung und Dimmen bis zu 0%.
- Völlig lautloser Betrieb dank des natürlichen Konvektions-Kühlsystems.
- Zeigt Arbeit als Standalone, Master/Slave oder kann von DMX gewählt werden:
  - Statische Farben
  - Verblässende Farben
  - Unterschiedliche statische Lauflichter
  - Durch verschiedene Klänge aktivierte Lauflichter
- Volle DMX Steuerung mit verschiedenen Kanal-Modi in einer Palette vom einfachen 3CH-Modus bis zum 16CH/32CH-Modus für vollständige RGB + DIM-Steuerung jedes einzelnen Pixels.
- RDM-Funktionalität für einfache Ferneinstellung: DMX-Adressierung, Kanal-Modus...
- Hintergrundbeleuchtung mit alphanumerischen 2x 16 Zeichen des LCD-Displays für einfache Menüführung LCD-Display.
- Neutrik Powercon Ein-/Ausgänge: einfache Kaskadierung mehrerer Geräte.
- Sowohl 3-polige als auch 5-polige DMX Ein-/Ausgänge für maximale Kompatibilität.
- Hohe Effizienz und geringer Stromverbrauch!
- Multifunktionale Halterung, die sowohl für Boden- als auch Traversenmontage konzipiert ist.

## VOR DER ERSTBENUTZUNG

- Vor der Erstbenutzung bitte das Gerät zuerst auf Transportschäden überprüfen. Sollte das Gerät einen Schaden aufweisen, benutzen Sie es nicht, sondern wenden Sie sich unverzüglich an Ihren Händler.
- **Wichtiger Hinweis:** Dieses Gerät hat das Werk unbeschädigt und gut verpackt verlassen. Es ist wichtig, dass der Benutzer sich streng an die Sicherheitshinweise und Warnungen in der Bedienungsanleitung hält. Schäden durch unsachgemäße Handhabung sind von der Garantie ausgeschlossen. Der Händler übernimmt keine Verantwortung für Schäden, die durch Nichtbeachtung der Bedienungsanleitung entstanden sind.
- Die Bedienungsanleitung zum zukünftigen Nachschlagen bitte an einem sicheren Ort aufbewahren. Bei Verkauf oder sonstiger Weitergabe des Geräts bitte die Bedienungsanleitung beifügen.

### Packungsinhalt prüfen:

Bitte überprüfen Sie, ob die Verpackung folgende Artikel enthält:

- Bedienungshinweise
- POWERPIXEL-RGB
- PowerCON Netzkabel

**SICHERHEITSHINWEISE:**

**ACHTUNG:** Um sich nicht der Gefahr eines elektrischen Schlags auszusetzen, entfernen Sie nicht die obere Abdeckung. Im Geräteinneren befinden sich keine vom Benutzer wartbaren Teile. Überlassen Sie Reparatur- und Wartungsarbeiten dem qualifizierten Kundendienst.



Das Blitzsymbol innerhalb eines gleichseitigen Dreiecks warnt den Benutzer vor nicht isolierter „gefährlicher Spannung“ im Innern des Produktgehäuses, die so stark sein kann, dass für Personen die Gefahr von Stromschlägen besteht.



Das Ausrufezeichen im Dreieck weist den Benutzer auf wichtige Bedienungs- und Wartungshinweise in den Dokumenten hin, die dem Gerät beiliegen.



Dieses Symbol bedeutet: Nur im Innenbereich



Dieses Symbol bedeutet: Die Bedienungsanleitung lesen



Dieses Symbol legt fest: Den minimalen Abstand von beleuchteten Objekten. Der minimale Abstand zwischen Projektor und dem beleuchteten Objekt muss mehr als 1 Meter betragen.



Das Gerät eignet sich nicht für die direkte Montage auf gängigen entflammaren Oberflächen. (Nur für die Montage auf nicht-brennbaren Oberflächen geeignet)



**ACHTUNG:** Nicht direkt in die Lichtquelle blicken. Das kann für die Augen schädlich sein.

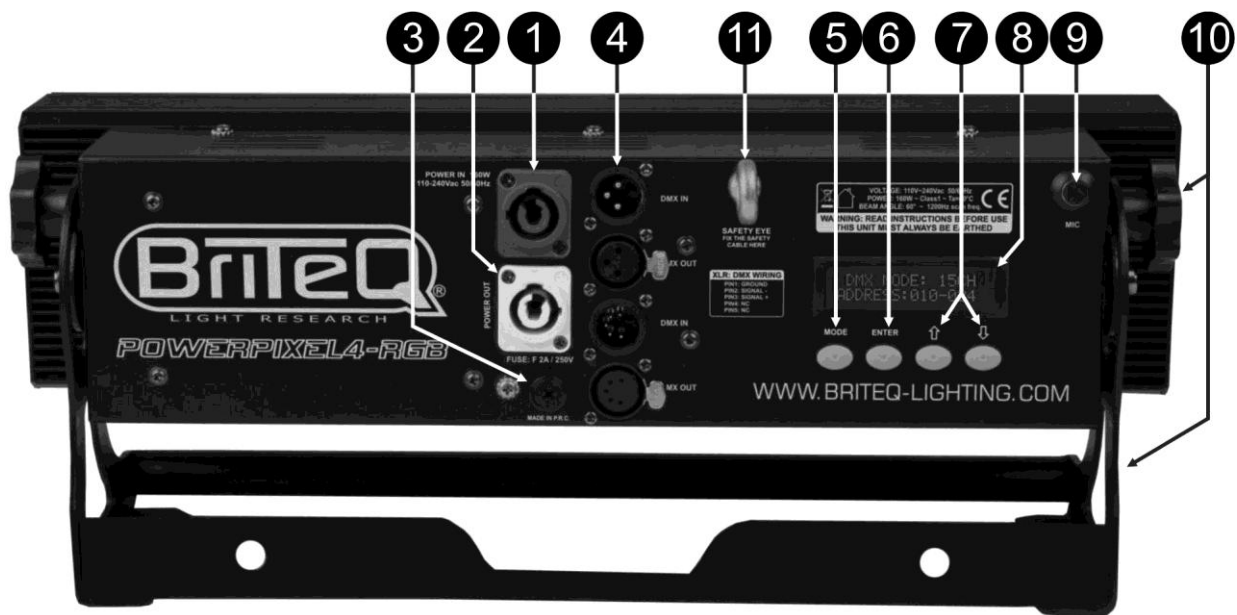
- Aus Umweltschutzgründen die Verpackung bitte wiederverwenden oder richtig trennen.
- Zur Vermeidung von Feuer und Stromschlag Gerät weder Regen noch Feuchtigkeit aussetzen.
- Zur Vermeidung von Kondensation im Inneren des Geräts bitte nach dem Transport in einer warmen Umgebung einige Zeit zum Temperatenausgleich ausgeschaltet stehen lassen. Kondensation kann zu Leistungsverlust des Geräts oder gar Beschädigungen führen.
- Nur für den Einsatz im Innenbereich.
- Keine Metallgegenstände oder Flüssigkeiten ins Innere des Geräts gelangen lassen. Ein Kurzschluss oder eine Fehlfunktion können die Folge sein. Falls es doch einmal vorkommen sollte, bitte sofort den Netzstecker ziehen und vom Stromkreis trennen.
- Das Gerät nur an einem gut belüfteten Ort und entfernt von entflammaren Materialien oder Flüssigkeiten aufstellen. Der Beleuchtungskörper muss wenigstens 50cm von allen Wänden entfernt montiert werden.
- Die Ventilationsöffnungen nicht abdecken, da Überhitzungsgefahr.
- Nicht in staubiger Umgebung verwenden und regelmäßig reinigen.
- Für Kinder unerreichbar aufbewahren.
- Unerfahrene Personen dürfen das Gerät nicht bedienen.
- Umgebungstemperatur darf 40°C nicht überschreiten. Das Gerät bei höheren Raumtemperaturen nicht verwenden.
- Stellen Sie sicher, dass sich während des Auf- oder Abbaus und der Wartung keine unbefugten Personen unterhalb des Geräts befinden.
- Lassen Sie das Gerät etwa 10 Minuten abkühlen, bevor Sie mit der Wartung beginnen.
- Stets den Netzstecker ziehen, wenn das Gerät für einen längeren Zeitraum nicht genutzt oder es gewartet wird.
- Die elektrische Installation darf nur von qualifiziertem Personal, unter Beachtung der Vorschriften zur elektrischen und mechanischen Sicherheit in Ihrem Land durchgeführt werden.
- Stellen Sie sicher, dass Netzspannung mit Geräteaufkleber übereinstimmt.
- Das Gerät nicht mit einem beschädigten Netzkabel in Betrieb nehmen. Wenn das Netzkabel gequetscht oder beschädigt wurde, schalten Sie das Gerät sofort aus. Im Falle von Beschädigungen muss das Netzkabel vom Hersteller, einem autorisierten Kundendienstmitarbeiter oder einer ähnlich qualifizierten Person ersetzt werden, um Gefährdungen zu vermeiden.
- Lassen Sie das Netzkabel niemals mit anderen Kabeln in Berührung kommen!
- Zur Einhaltung der Sicherheitsbestimmungen muss das Gerät geerdet sein.
- Das Gerät nicht an einen Dimmer anschließen.
- Ausschließlich vorschriftsmäßige Kabel zur Installation verwenden.
- Zur Vorbeugung gegen elektrische Schläge keine Abdeckungen entfernen. Außer der Sicherung hat das Gerät keine vom Benutzer austauschbaren Teile.

- Eine Sicherung **niemals** reparieren oder überbrücken. **Stets** tauschen Sie eine beschädigte Sicherung gegen eine Sicherung gleichen Typs und gleicher Spezifikationen aus!
- Bei Fehlfunktion das Gerät nicht benutzen und sich mit dem Händler in Verbindung setzen.
- Bei sichtbaren Beschädigungen müssen Gehäuse und Optik ersetzt werden.
- Bei Transport bitte die Originalverpackung verwenden, um Schäden am Gerät zu vermeiden.
- Aus Sicherheitsgründen dürfen an dem Gerät keine unbefugten Veränderungen vorgenommen werden.

**Wichtiger Hinweis:** Nicht direkt in die Lichtquelle blicken! Das Gerät nicht verwenden, wenn sich Personen im Raum befinden, die unter Epilepsie leiden.

## BESCHREIBUNG:

**Hinweis:** POWERPIXEL4-RGB zeigt, POWERPIXEL8-RGB hat identische Bedienelemente und Anschlüsse.



- 1. NETZSPANNUNG:** mit originalem Neutrik PowerCON ausgestattet®. Schließen Sie hier das mitgelieferte Netzkabel an irgendein PowerCON® Verlängerungskabel an.
- 2. NETZAUSGANG:** Wird zur Kaskadierung der Leistung mit mehreren anderen Beamern verwendet. Achten Sie immer auf die maximale Belastung beim Hinzufügen der Beamer! Spezielle Multi-Kabel (PowerCON® + DMX XLR-Kabel sind optional erhältlich: siehe unsere Webseite!)
- 3. NETZSICHERUNG:** Schützt das Gerät im Falle von elektrischen Problemen, verwenden Sie immer die vorgeschriebene Sicherung!
- 4. DMX-EIN/AUS:** Sowohl 3-polige als auch 5-polige Ein-/Ausgänge stehen zur Verfügung zur Kaskadierung des Beamers mit anderen Geräten, die von einem DMX-Controller gesteuert werden.
- 5. MODUS-Taste:** Wird verwendet, um die verschiedenen Optionen des Einstellungsmenüs durchzusuchen.
- 6. ENTER-Taste:** Wird verwendet, um zwischen verschiedenen Parametern der gewählten Option zu springen. Mit ihr werden auch die gewählten Werte der Parameter bestätigt.
- 7. AUFWÄRTS/ABWÄRTS-Tasten:** Wird verwendet, um den Wert eines gewählten Parameters zu erhöhen/verringern.
- 8. LCD-BILDSCHIRM:** Hintergrundbeleuchtung mit 2 x 16 Zeichen für einfache Navigation des LCD-Bildschirms. Die Hintergrundbeleuchtung leuchtet, sobald eine der Tasten gedrückt wird. Zeigt das Modell der Software-Version beim Start.
- 9. MIKROFON:** Wird verwendet, damit die Programme im Musik-Modus ausgelöst werden.
- 10. HALTERUNG:** Multifunktionale und sehr stabile Konstruktion sowohl für Boden- als auch Traversenmontage. Der Beamer kann in jede beliebige Richtung gerichtet werden.
- 11. SICHERHEITSSÖSENSCHRAUBE:** zur Anbringung eines Sicherheitskabels bei Überkopfmontage (s. Abschnitt „Überkopfmontage“).

## ÜBERKOPF-MONTAGE

- **Wichtiger Hinweis:** Die Montage ausschließlich durch qualifiziertes Fachpersonal durchführen lassen. Unvorschriftsmäßiger Einbau kann erhebliche Verletzungen und/oder Schäden verursachen. Die Überkopf-Montage setzt die entsprechende Erfahrung voraus! Die Belastungsgrenzen müssen beachtet, geeignetes Installationsmaterial muss verwendet und das installierte Gerät muss in regelmäßigen Abständen überprüft werden.
- Stellen Sie sicher, dass sich während des Auf- oder Abbaus und der Wartung keine unbefugten Personen unterhalb des Geräts befinden.
- Das Gerät nur an einem gut belüfteten Ort und entfernt von entflammaren Materialien und/oder Flüssigkeiten aufstellen. Der Beleuchtungskörper muss **wenigstens 50cm** von allen Wänden entfernt montiert werden.
- Das Gerät außerhalb der Reichweite von Personen und nicht in niedrigen Durchgängen oder in der Nähe von Sitzgelegenheiten installieren.
- Vor Montage sicherstellen, dass die gewählte Position wenigstens das 10-fache Gerätegewicht aufnehmen kann.
- Zur Aufhängung stets geeignetes Befestigungsmaterial verwenden, welches das 12-fache Gerätegewicht aushalten kann. Eine zweite Sicherungsaufhängung muss angebracht werden, die ein Absacken des Geräts von mehr als 20cm verhindert, sollte die Befestigung brechen.
- Das Gerät gut befestigen. Eine freischwingende Aufhängung ist gefährlich und sollte auf gar keinen Fall in Betracht gezogen werden!
- Die Ventilationsöffnungen nicht abdecken, da Überhitzungsgefahr.
- Der Betreiber muss sicherstellen, dass die sicherheitsrelevanten und technischen Installationen vor Erstbetrieb fachmännisch vorgenommen worden sind. Installationen sollten jährlich durch qualifiziertes Fachpersonal überprüft werden, um jederzeit einen sicheren Betrieb zu gewährleisten.



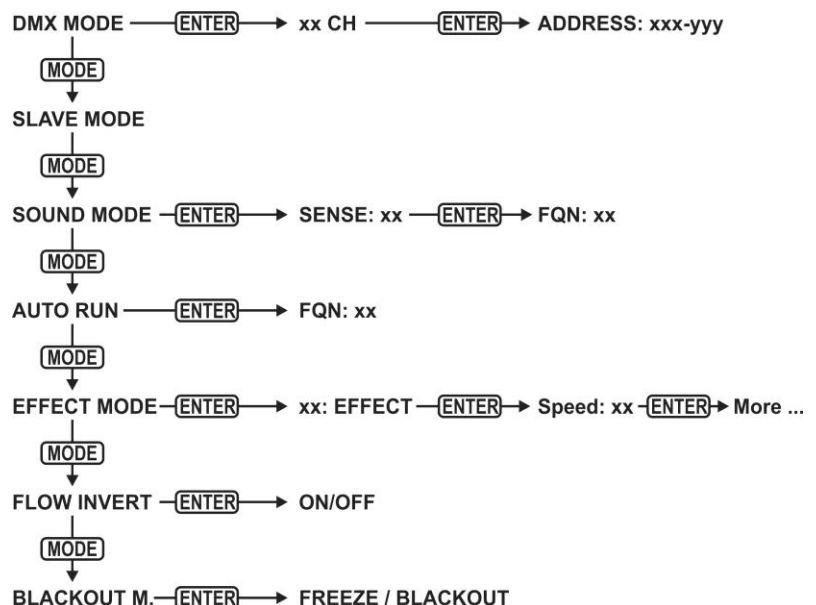
## EINSTELLUNGSMENÜ

Mit dem Einstellungsmenü können Sie den Beamer vollständig konfigurieren. Alle Einstellungen bleiben erhalten, wenn das Gerät vom Netz getrennt wird.

### Einstellungsmenü durchsuchen:

#### Allgemeine Hinweise für die Einstellung.

- Drücken Sie die MODE –Taste, um die verschiedenen Funktionen des Einstellungsmenüs durchzusuchen, bis die gewünschte Funktion auf dem Display angezeigt wird.
- Drücken Sie die ENTER-Taste, um auf die Funktion zuzugreifen und ihre Parameter zu ändern.
- Der Cursor des ändernden Wertes beginnt zu blinken. Verwenden Sie Tasten ABWÄRTS und AUFWÄRTS, um den Wert zu ändern.
- Drücken Sie die ENTER-Taste erneut, bestätigen und wählen Sie den nächsten Parameter, um ihn einzustellen.



### DMX MODE + ADRESSE

Wird verwendet, um den DMX-Kanalmodus einzustellen und die Adresse zu starten.

- Drücken Sie die MODE-Taste, bis „DMX MODE“ auf dem Display angezeigt wird.
- Drücken Sie die ENTER-Taste: Der Kanalmodus (Anzahl der verwendeten Kanäle) kann eingestellt werden.
- Verwenden Sie die Tasten ABWÄRTS und AUFWÄRTS, um den Wert auf den gewünschten Kanalmodus zu wechseln:

- **POWERPIXEL4-RGB-Modi:**
  - **03CH:** alle 4 Beamer gemeinsam RGB.
  - **04CH:** Alle 4 Beamer gemeinsam RGB + Master-Dim/Audio/stroboskopischer Kanal.
  - **05CH:** Alle 4 Beamer gemeinsam RGB + Master-Dim + Audio/stroboskopischer Kanal.
  - **06CH:** 2 Gruppen von 2 Beamern RGB + RGB.
  - **12CH:** Alle Beamer einzeln RGB.
  - **15CH:** Alle Beamer einzeln RGB + 3 Kanäle für Sonderfunktionen.
  - **16CH:** Alle Beamer einzeln RGB + Master-Dim.
- **POWERPIXEL8-RGB-Modi:**
  - **03CH:** Alle 4 Beamer gemeinsam RGB.
  - **04CH:** Alle 4 Beamer gemeinsam RGB + Master-Dim/Audio/stroboskopischer Kanal.
  - **05CH:** Alle 4 Beamer gemeinsam RGB + Master-Dim + Audio/stroboskopischer Kanal.
  - **06CH:** 2 Gruppen von 4 Beamern RGB + RGB.
  - **12CH:** 4 Gruppen von 2 Beamern RGB + RGB + RGB + RGB.
  - **24CH:** Alle Beamer einzeln RGB.
  - **27CH:** Alle Beamer einzeln RGB + 3 Kanäle für Sonderfunktionen.
  - **32CH:** Alle Beamer einzeln RGB + Master-Dim.
- Drücken Sie die ENTER-Taste: die Startadresse kann eingestellt werden, das Display zeigt Start- + Endadresse: „xxx-yyy“.
- Verwenden Sie die Tasten ABWÄRTS und AUFWÄRTS, um die Startadresse einzustellen (xxx).  
*Hinweis: Je nach Kanalmodus wechselt die Endadresse (yyy) des Beamers automatisch. Dies erleichtert es Ihnen, den Beginn des nächsten Beamers in der DMX-Leitung einzustellen.*

### SLAVE-Modus

**Wird verwendet, um den Beamer im Slave-Modus einzustellen: Der Beamer kopiert den Ausgang des Masters in der Leitung.**

- Drücken Sie die MODE-Taste, bis „SLAVE MODE“ auf dem Display angezeigt wird.
- Schließen Sie den Beamer an einen Master an.  
*Hinweis: POWERPIXEL4-RGB und POWERPIXEL8-RGB können in einer Linie gemischt werden, Master sollte ein POWERPIXEL8-RGB sein!*

### Modus „SOUND“

**Wird verwendet, um den Beamer im Standalone-Sound-Modus mit verschiedenen Lauflichtern in Endlosschleifen zu spielen.**

Drücken Sie die MODE-Taste, bis „SOUND MODE“ auf dem Display angezeigt wird.

- Drücken Sie die ENTER-Taste: die Empfindlichkeit des Mikrofons (SENS) kann von 00 bis 31 eingestellt werden.
- Mit den Tasten ABWÄRTS und AUFWÄRTS können Sie den Wert ändern.
- Drücken Sie die ENTER-Taste: die Wiederholungsrate (FQN) der Lauflichter kann von 00 bis 99 eingestellt werden.
- Mit den Tasten ABWÄRTS und AUFWÄRTS können Sie den Wert ändern.

### EINFACHER AUTO-MODUS

**Wird verwendet, um den Beamer im Standalone-Sound-Modus mit verschiedenen Lauflichtern in Endlosschleifen zu spielen.**

Drücken Sie die MODE-Taste, bis „AUTO RUN“ auf dem Display gezeigt wird.

- Drücken Sie die ENTER-Taste: die Wiederholungsrate (FQN) der Lauflichter kann von 00 bis 99 eingestellt werden.
- Mit den Tasten ABWÄRTS und AUFWÄRTS können Sie den Wert ändern.

### STANDALONE-MODUS

**Wird verwendet, um den Beamer im Standalone-Auto-Modus mit den vom Benutzer einstellbaren Optionen oder Lauflichtern einzustellen.**

- Drücken Sie die MODE-Taste, bis eine Zahl von „01.“ bis „14.“ auf der Linie1 auf dem Display angezeigt wird.
- Drücken Sie die ENTER-Taste: Mit den Tasten AUFWÄRTS/ABWÄRTS können Sie eine der 14 verfügbaren Optionen/Lauflichter wählen.
- Je nach der ausgewählten Option/dem Lauflicht haben Sie verschiedene Einstellungen:
  - **01. STATISCH:** (7 statische Farben können gewählt werden.)

- Drücken Sie die ENTER-Taste: eine von 7 statischen Farben (CL) kann ausgewählt werden.
- Mit den Tasten ABWÄRTS und AUFWÄRTS können Sie die Farbe ändern.
- Drücken sie die ENTER-Taste: Stroboskop-Rate (Blitz) kann von 00 (kein Stroboskop) bis 99 (schnell) eingestellt werden.
- Mit den Tasten ABWÄRTS und AUFWÄRTS können Sie den Wert ändern.
- **01. bis 12. XXXXX:** (verschiedene Lauflichter, einschließlich der Farbverblassung, des Farbwechsels, des Meteor-Effekts...)
  - Drücken Sie ENTER: Geschwindigkeit kann von 01 bis 99 eingestellt werden.
  - Mit den Tasten ABWÄRTS und AUFWÄRTS können Sie den Wert ändern.
  - Drücken sie die ENTER-Taste: Stroboskop-Rate (Blitz) kann von 00 (kein Stroboskop) bis 99 (schnell) eingestellt werden.
  - Mit den Tasten ABWÄRTS und AUFWÄRTS können Sie den Wert ändern.
- **13. STRÖMUNG8 und 14. STRÖMUNG9:** (Lauflichter in 1 oder 2 Richtungen mit Wahl der Leitungskanal-Farben).
  - Drücken Sie ENTER: Geschwindigkeit kann von 01 bis 99 eingestellt werden.
  - Mit den Tasten ABWÄRTS und AUFWÄRTS können Sie den Wert ändern.
  - Drücken sie die ENTER-Taste: Stroboskop-Rate (Blitz) kann von 00 (kein Stroboskop) bis 99 (schnell) eingestellt werden.
  - Mit den Tasten ABWÄRTS und AUFWÄRTS können Sie den Wert ändern.
  - Drücken Sie ENTER: Grundfarbe des Lauflichtes (C1) kann ausgewählt werden.
  - Mit den Tasten ABWÄRTS und AUFWÄRTS können Sie die Farbe ändern. (oder Blackout).
  - Drücken Sie ENTER: Laufende Farbe des Lauflichtes (C2) kann ausgewählt werden.
  - Mit den Tasten ABWÄRTS und AUFWÄRTS können Sie die Farbe ändern. (oder Blackout).

### FLIEßENDER INVERTMODUS

Wird verwendet, um die Laufrichtung der Lauflichter zu ändern.

- Drücken Sie die Taste MODE, bis „FLOW INVERT“ auf dem Display angezeigt wird.
- Wechseln Sie mit ABWÄRTS- und AUFWÄRTS-Tasten zwischen EIN und AUS.

### BLACKOUT-MODUS

Wählt das Verhalten des Projektors, wenn DMX ausfällt (kein DMX erkannt).

- Drücken Sie die MODE-Taste, bis „BLACKOUT MODE“ auf dem Display angezeigt wird.
- Wechseln Sie mit ABWÄRTS und AUFWÄRTS zwischen:
  - **BLACKOUT:** Wenn kein DMX erkannt wurde, wird Schwarz ausgegeben.
  - **FREEZE:** Die Ausgabe des Projektors wird auf Grundlage des letzten gültigen DMX-Signals gehalten.

*Hinweis: Sobald der Eingang ein DMX-Signal erkennt, wird der Blackout- oder Freeze-Modus abgebrochen.*

## ELEKTRISCHE INSTALLATION



**Wichtiger Hinweis:** Die elektrische Installation darf nur von qualifiziertem Personal, unter Beachtung der Vorschriften zur elektrischen und mechanischen Sicherheit in Ihrem Land durchgeführt werden.

### STANDALONE MIT EINGEBAUTEN LAUFLICHTERN:

Verwenden Sie diese Funktion, wenn Sie eine sofortige Anzeige nur auf 1 Beamer wollen.

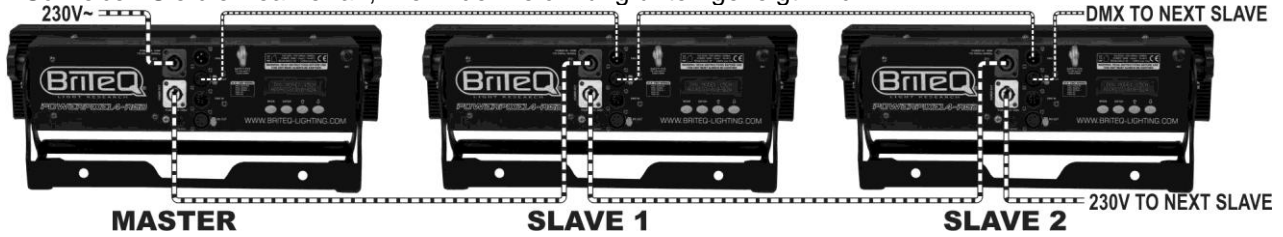
- Schließen Sie den Beamer an das Stromnetz an und schalten Sie ihn ein.
- Wählen Sie einen der folgenden Modi im Einstellungsmenü:
  - **SOUND-Modus:** Wenn Sie Lauflicht-Programme ausführen möchten, die im Rhythmus des Beats laufen. Siehe den Abschnitt „Einstellungsmenü“ für weitere Informationen zu den Einstellungen.
  - **STANDALONE-Modus:** Wenn Sie Lauflicht-Programme automatisch ausführen möchten, aber Sie wollen eine gewisse Kontrolle über das ausgewählte Lauflicht haben. Siehe den Abschnitt „Einstellungsmenü“ für weitere Informationen zu den Einstellungen.
  - **AUTO-RUN-Modus:** Wenn Sie Lauflicht-Programme automatisch ausführen möchten. Siehe den Abschnitt „Einstellungsmenü“ für weitere Informationen zu den Einstellungen.

### STANDALONE MASTER/SLAVE MIT EINGEBAUTEN LAUFLICHTERN:

Verwenden Sie diese Funktion, wenn Sie eine sofortige Anzeige nur auf 1 Beamer wollen.

Durch die Verknüpfung der Geräte in Master/Slave-Verbindung wird das erste Gerät die anderen Geräte steuern, um eine synchronisierte automatische oder mit dem Ton aktivierte Lichtshow zu zeigen.

- Schließen Sie die Beamer an, wie in der Zeichnung unten gezeigt wird.

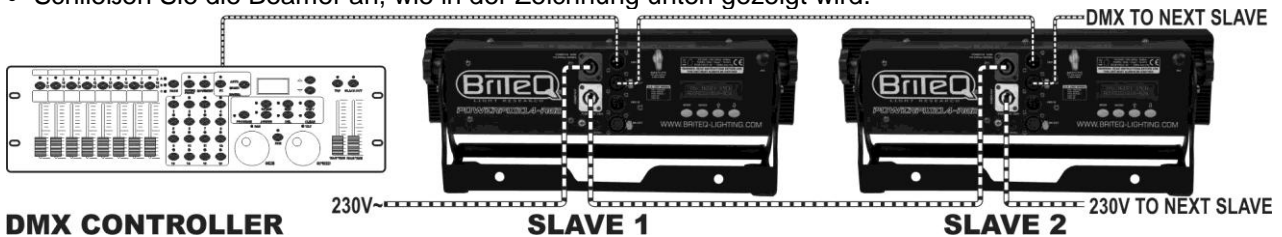


- **Einstellung des Masters:** Genau das gleiche Verfahren wie die „STANDALONE“-Einstellung.
- **Einstellung von Slaves:** Alle Slaves sollen im „SLAVE MODE“ eingestellt werden. Siehe den Abschnitt „Einstellungsmenü“ für weitere Informationen zu den Einstellungen.

### ELEKTRISCHE INSTALLATION VON ZWEI ODER WEITEREN EINHEITEN IM DMX-MODUS:

Verwenden Sie diese Funktion, wenn Sie die Beamer von jedem DMX-Controller steuern möchten.

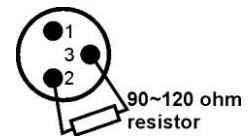
- Schließen Sie die Beamer an, wie in der Zeichnung unten gezeigt wird.



- Setzen die Beamer in den gewünschten DMX-Modus ein: sehen Sie die verschiedenen DMX-Grafiken und wählen Sie ein Diagramm, das zu Ihnen am besten passt.
- Geben Sie allen Beamer eine Start-Adresse: jeder Beamer zeigt seine Start- + Endadresse, stellen Sie sicher, dass sich die Adressen nicht überschneiden!

### **Einige allgemeine Informationen über DMX:**

- Das DMX-Protokoll ist ein gängiges Hochgeschwindigkeitssignal, um intelligente Lichtsysteme zu steuern. Sie müssen Ihren DMX-Controller und alle angeschlossenen Geräte mit einem hochwertigen symmetrischen Kabel hintereinander schalten (Daisy Chain).
- Es werden sowohl 3-polige als auch 5-polige-XLR-Stecker benutzt, allerdings ist der 3-polige XLR-Stecker gängiger, da diese Kabel mit symmetrischen Audiokabeln kompatibel sind.
- Stiftanordnung 3-poliger XLR-Stecker: Pin1 = GND (Masse) - Pin2 = Negatives Signal (-) - Pin3 = Positives Signal (+).
- Stiftanordnung 5-poliger XLR-Stecker: Pin1 = GND (Masse) - Pin2 = Negatives Signal (-) - Pin3 = Positives Signal (+) - Pins 4 u. 5 werden nicht verwendet.
- Um durch Interferenzen verursachte Fehlfunktionen der Lichteffekte zu vermeiden, müssen Sie die Kette mit einem 90Ω bis 120Ω Abschlusswiderstand abschließen. Verwenden Sie niemals Y-Splitter-Kabel, das funktioniert einfach nicht!
- Stellen Sie sicher, dass alle Geräte an die Netzversorgung angeschlossen sind.
- Jeder Lichteffekt in der Kette muss seine eigene Startadresse haben, damit er erkennt, welche Befehle des Controllers er entschlüsseln muss.



## **RDM-FUNKTIONEN/FERNEINSTELLUNG**

RDM bedeutet „Verwaltung von Remote-Geräten“. Dieser Beamer funktioniert mit einem kurzen Set von RDM-Funktionen, und dies bedeutet, dass er eine bidirektionale Kommunikation mit einem RDM-kompatibel DMX-Controller einrichten kann. Einige dieser Funktionen werden kurz nachfolgend erläutert, andere werden in der Zukunft hinzugefügt.

- Der DMX-Controller sendet einen „Erkennungsbefehl“, alle RDM-Geräte reagieren und senden ihre eindeutige Geräte-ID.
- Der DMX-Controller fragt jedes RDM-Gerät nach einigen grundlegenden Daten, so dass er weiß, welche Geräte angeschlossen sind. Der POWERPIXEL-Beamer reagiert:
  - **Gerätename:** PIXEL4-RGB oder PIXEL8-RGB
  - **Hersteller:** Briteq®
  - **Kategorie:** LED-Dimmer
  - **Firmware:** x.x.x.x (Firmware-Version des Beamers)

- **DMX-Adresse:** xxx (aktuelle DMX-Startadresse des Beamers)
  - **DMX-Fußabdruck:** xx (Nummer der DMX-Kanäle, die von dem Beamer verwendet werden)
  - **Persönlichkeit:** xx (aktuelle Persönlichkeit [oder DMX-Arbeitsmodus], die von den Beamern verwendet wird)
- Der DMX-Controller kann bestimmte Befehle, die Feineinstellung der Geräte erlauben, an jedes RDM-Gerät senden. Dank dieser Technik kann das POWERPIXEL ferngesteuert eingestellt werden.

**Die folgenden Funktionen können ferngesteuert verwaltet werden:**

Es ist nicht mehr erforderlich, eine Leiter zu nehmen und alle Geräte, ein nach dem anderen einzustellen!

- **DMX-STARTADRESSE:** Die Startadresse kann ferngesteuert von 001 bis xxx eingestellt werden.
- **PERSÖNLICHKEIT:** Der DMX-Arbeitsmodus (DMX-Grafik) kann ferngesteuert eingestellt werden.

Diese 2 Funktionen ermöglichen es, einen vollständigen DMX-Patch aller Beamer auf dem DMX-Controller zu erstellen und diese Daten an alle Beamer auf einmal zu senden. Weitere Funktionen werden später hinzugefügt.

**DMX-GRAFIKEN**

Für maximale Kompatibilität haben sowohl POWERPIXEL4-RGB als auch RGB-POWERPIXEL8-RGB die gleichen DMX-Grafiken, so dass sie leicht zusammen funktionieren können. Erweiterte DMX-Grafiken sind spezifisch für jedes Modell. Im Folgenden finden Sie 3 Teile: Kombinierte Grafiken, spezifische Grafiken für POWERPIXEL4-RGB und spezifische Grafiken für POWERPIXEL8-RGB.

**A/DMX GRAFIKEN FÜR BEIDE POWERPIXEL4-RGB + POWERPIXEL8-RGB**

**3-Kanal DMX-Modus: alle Pixel funktionieren gemeinsam in RGB**

Kanal:	Wert:	Funktion:	Hinweise
1	000-255	Rot (0-100%)	
2	000-255	Grün (0-100%)	
3	000-255	Blau (0-100%)	

**4-Kanal DMX-Modus: alle Pixel gemeinsam in RGB + MASTER DIM/SOUND/STROBOSKOP**

Kanal:	Wert:	Funktion:	Hinweise
1	000-255	Rot (0-100%)	
2	000-255	Grün (0-100%)	
3	000-255	Blau (0-100%)	
4	000-190	Master-Dimmer	000=0% ~ 190=100% (vollständig geöffnet)
	191-200	Musiksteuerung (7 Farben)	Audio-Empfindlichkeit: 191=niedrig ~ 200=hoch
	201-247	Stroboskop	Zunehmende Geschwindigkeit: 201=langsam ~ 247=schnell
	248-255	Master-Dimmer @ 100%	Master-Dimmer ist vollständig geöffnet

**5-Kanal DMX-Modus: alle Pixel gemeinsam in RGB + MASTER DIM/SOUND/STROBOSKOP**

Kanal:	Wert:	Funktion:	Hinweise
1	000-255	Rot (0-100%)	
2	000-255	Grün (0-100%)	
3	000-255	Blau (0-100%)	
4	000-255	Master-Dimmer (0-100%)	
5	000-004	EIN	
	005-024	Musiksteuerung (7 Farben)	Audio-Empfindlichkeit: 191=niedrig ~ 200=hoch
	025-034	EIN	
	035-255	Stroboskop	Zunehmende Geschwindigkeit: 201=langsam ~ 247=schnell



**15 / 27 Kanal DMX-Modus: alle Beamer einzeln + 3 CH für Sonderfunktionen)**

Kanäle 1 bis 15 sind für beide Beamer identisch, für POWERPIXEL8-RGB sind Kanäle 16 bis 27 zusätzliche individuelle RGB-Pixel-Steuerelemente.

CH1-Wert	CH1-Funktion	CH2	CH3	CH4	CH5	CH6	... CH15 ... CH27
000-015	RGB-Steuerung auf CH4-15	Master Dimmer	<b>STROBOSKOP</b>  <b>000 KEIN STROBOSKOP</b>  <b>001-255 LANGSAM BIS SCHNELL</b>	R1 000-255	R1 000-255	B1 000-255	...
016-023	Rot auf allen Pixeln	Dimmer					
024-031	Grün auf allen Pixeln	Dimmer					
032-039	Blau auf allen Pixeln	Dimmer					
040-047	Rot/Grün auf allen Pixeln	Dimmer					
048-055	Grün/Blau auf allen Pixeln	Dimmer					
056-063	Rot/Blau auf allen Pixeln	Dimmer					
064-071	RGB auf allen Pixeln	Dimmer					
072-079	Farbe 1	Dimmer					
080-087	Farbe 2	Dimmer					
088-095	Farbe 3	Dimmer					
096-103	Farbe 4	Dimmer					
104-111	Farbe 5	Dimmer					
112-119	Farbe 6	Dimmer					
120-127	Farbe 7	Dimmer					
128-135	Farbe 8	Dimmer					
136-143	CFADE	<b>GESCHWINDIGKEIT</b>  <b>000-255 LANGSAM BIS SCHNELL</b>		<div style="display: flex; justify-content: space-between;"> <div style="width: 45%;"><b>CH4</b> Wählen Sie die Farbe 1</div> <div style="width: 45%;"><b>CH5</b> Wählen Sie die Farbe 2</div> </div>			
144-151	METEOR						
152-159	VERBLASSEN						
160-167	CHANGE						
168-175	STRÖMUNG1						
176-183	STRÖMUNG2						
184-191	STRÖMUNG3						
192-199	STRÖMUNG4						
200-207	STRÖMUNG5						
208-215	STRÖMUNG6	<b>CH4</b> Wählen Sie die Farbe 1 000-035 RGB 036-071 RB 072-107 GB 108-143 RG 144-179 B 180-215 G 216-251 R 252-255 AUS	<b>CH5</b> Wählen Sie die Farbe 2 000-035 AUS 036-071 R 072-107 G 108-143 B 144-179 RG 180-215 GB 216-251 RB 252-255 RGB				
216-223	STRÖMUNG7						
224-231	STRÖMUNG8						
232-239	STRÖMUNG9	<b>SENS</b> <b>000-255 NIEDRIG ZU HOCH</b>					
240-255	Modus „SOUND“						

**B/ DMX-GRAFIKEN FÜR NUR POWERPIXEL4-RGB****6-Kanal DMX-Modus: 2 Gruppen von 2 Beamern, RGB-Steuerung**

Kanal:	Wert:	Funktion:	Hinweise
1	000-255	Rot (0-100%)	Steuerung für Pixel 1+2
2	000-255	Grün (0-100%)	Steuerung für Pixel 1+2
3	000-255	Blau (0-100%)	Steuerung für Pixel 1+2
4	000-255	Rot (0-100%)	Steuerung für Pixel 3+4
5	000-255	Grün (0-100%)	Steuerung für Pixel 3+4
6	000-255	Blau (0-100%)	Steuerung für Pixel 3+4

**12-Kanal DMX-Modus: Alle Beamer einzeln, RGB gesteuert**

Kanal:	Wert:	Funktion:	Hinweise
1	000-255	Rot (0-100%)	Steuerung für Pixel 1
2	000-255	Grün (0-100%)	Steuerung für Pixel 1
3	000-255	Blau (0-100%)	Steuerung für Pixel 1
4	000-255	Rot (0-100%)	Steuerung für Pixel 2
5	000-255	Grün (0-100%)	Steuerung für Pixel 2
6	000-255	Blau (0-100%)	Steuerung für Pixel 2
7	000-255	Rot (0-100%)	Steuerung für Pixel 3
8	000-255	Grün (0-100%)	Steuerung für Pixel 3
9	000-255	Blau (0-100%)	Steuerung für Pixel 3
10	000-255	Rot (0-100%)	Steuerung für Pixel 4
11	000-255	Grün (0-100%)	Steuerung für Pixel 4
12	000-255	Blau (0-100%)	Steuerung für Pixel 4

**16-Kanal DMX-Modus: Alle Beamer einzeln, RGB+DIM gesteuert**

Kanal:	Wert:	Funktion:	Hinweise
1	000-255	Rot (0-100%)	Steuerung für Pixel 1
2	000-255	Grün (0-100%)	Steuerung für Pixel 1
3	000-255	Blau (0-100%)	Steuerung für Pixel 1
4	000-255	Master-Dimmer (0-100%)	Steuerung für Pixel 1
5	000-255	Rot (0-100%)	Steuerung für Pixel 2
6	000-255	Grün (0-100%)	Steuerung für Pixel 2
7	000-255	Blau (0-100%)	Steuerung für Pixel 2
8	000-255	Master-Dimmer (0-100%)	Steuerung für Pixel 2
9	000-255	Rot (0-100%)	Steuerung für Pixel 3
10	000-255	Grün (0-100%)	Steuerung für Pixel 3
11	000-255	Blau (0-100%)	Steuerung für Pixel 3
12	000-255	Master-Dimmer (0-100%)	Steuerung für Pixel 3
13	000-255	Rot (0-100%)	Steuerung für Pixel 4
14	000-255	Grün (0-100%)	Steuerung für Pixel 4
15	000-255	Blau (0-100%)	Steuerung für Pixel 4
16	000-255	Master-Dimmer (0-100%)	Steuerung für Pixel 4

**C/ DMX-GRAFIKEN FÜR NUR POWERPIXEL8-RGB****6-Kanal DMX-Modus: 2 Gruppen von 4 Beamern, RGB gesteuert**

Kanal:	Wert:	Funktion:	Hinweise
1	000-255	Rot (0-100%)	Steuerung für Pixel 1+2+3+4
2	000-255	Grün (0-100%)	Steuerung für Pixel 1+2+3+4
3	000-255	Blau (0-100%)	Steuerung für Pixel 1+2+3+4
4	000-255	Rot (0-100%)	Steuerung für Pixel 5+6+7+8
5	000-255	Grün (0-100%)	Steuerung für Pixel 5+6+7+8
6	000-255	Blau (0-100%)	Steuerung für Pixel 5+6+7+8

**12-Kanal DMX-Modus: 4 Gruppen von 2 Beamern, RGB gesteuert**

Kanal:	Wert:	Funktion:	Hinweise
1	000-255	Rot (0-100%)	Steuerung für Pixel 1+2
2	000-255	Grün (0-100%)	Steuerung für Pixel 1+2
3	000-255	Blau (0-100%)	Steuerung für Pixel 1+2
4	000-255	Rot (0-100%)	Steuerung für Pixel 3+4
5	000-255	Grün (0-100%)	Steuerung für Pixel 3+4
6	000-255	Blau (0-100%)	Steuerung für Pixel 3+4
7	000-255	Rot (0-100%)	Steuerung für Pixel 5+6
8	000-255	Grün (0-100%)	Steuerung für Pixel 5+6
9	000-255	Blau (0-100%)	Steuerung für Pixel 5+6
10	000-255	Rot (0-100%)	Steuerung für Pixel 7+8
11	000-255	Grün (0-100%)	Steuerung für Pixel 7+8
12	000-255	Blau (0-100%)	Steuerung für Pixel 7+8

**24-Kanal DMX-Modus: Alle Beamer einzeln, RGB gesteuert**

Kanal:	Wert:	Funktion:	Hinweise
1	000-255	Rot (0-100%)	Steuerung für Pixel 1
2	000-255	Grün (0-100%)	Steuerung für Pixel 1
3	000-255	Blau (0-100%)	Steuerung für Pixel 1
4	000-255	Rot (0-100%)	Steuerung für Pixel 2
5	000-255	Grün (0-100%)	Steuerung für Pixel 2
6	000-255	Blau (0-100%)	Steuerung für Pixel 2
7 ... 21	000-255	...	<b>Steuerung für Pixel 3 bis 7</b>
22	000-255	Rot (0-100%)	Steuerung für Pixel 8
23	000-255	Grün (0-100%)	Steuerung für Pixel 8
24	000-255	Blau (0-100%)	Steuerung für Pixel 8

**32-Kanal DMX-Modus: Alle Beamer einzeln, RGB+DIM gesteuert**

Kanal:	Wert:	Funktion:	Hinweise
1	000-255	Rot (0-100%)	Steuerung für Pixel 1
2	000-255	Grün (0-100%)	Steuerung für Pixel 1
3	000-255	Blau (0-100%)	Steuerung für Pixel 1
4	000-255	Master-Dimmer (0-100%)	Steuerung für Pixel 1
5	000-255	Rot (0-100%)	Steuerung für Pixel 2
6	000-255	Grün (0-100%)	Steuerung für Pixel 2
7	000-255	Blau (0-100%)	Steuerung für Pixel 2
8	000-255	Master-Dimmer (0-100%)	Steuerung für Pixel 2
9 ... 28	000-255	...	<b>Steuerung für Pixel 3 bis 7</b>
29	000-255	Rot (0-100%)	Steuerung für Pixel 8
30	000-255	Grün (0-100%)	Steuerung für Pixel 8
31	000-255	Blau (0-100%)	Steuerung für Pixel 8
32	000-255	Master-Dimmer (0-100%)	Steuerung für Pixel 8

## RDM-FUNKTIONEN/FERNEINSTELLUNG

RDM bedeutet „Verwaltung von Remote-Geräten“. Dieser Beamer funktioniert mit einem kurzen Set von RDM-Funktionen, und dies bedeutet, dass er eine bidirektionale Kommunikation mit einem RDM-kompatibel DMX-Controller einrichten kann. Einige dieser Funktionen werden kurz nachfolgend erläutert, andere werden in der Zukunft hinzugefügt.

- Der DMX-Controller sendet einen „Erkennungsbefehl“, alle RDM-Geräte reagieren und senden ihre eindeutige Geräte-ID.
- Der DMX-Controller fragt jedes RDM-Gerät nach einigen grundlegenden Daten, so dass er weiß, welche Geräte angeschlossen sind. Der POWERPIXEL-Beamer reagiert:
  - **Gerätename:** PIXEL4-RGB oder PIXEL8-RGB
  - **Hersteller:** Briteq®
  - **Kategorie:** LED-Dimmer
  - **Firmware:** x.x.x.x (Firmware-Version des Beamers)
  - **DMX-Adresse:** xxx (aktuelle DMX-Startadresse des Beamers)
  - **DMX-Fußabdruck:** xx (Nummer der DMX-Kanäle, die von dem Beamer verwendet werden)
  - **Persönlichkeit:** xx (aktuelle Persönlichkeit [oder DMX-Arbeitsmodus], die von den Beamern verwendet wird)
- Der DMX-Controller kann bestimmte Befehle, die Ferneinstellung der Geräte erlauben, an jedes RDM-Gerät senden. Dank dieser Technik kann das POWERPIXEL ferngesteuert eingestellt werden.

### Die folgenden Funktionen können ferngesteuert verwaltet werden:

Es ist nicht mehr erforderlich, eine Leiter zu nehmen und alle Geräte, ein nach dem anderen einzustellen!

- **DMX-STARTADRESSE:** Die Startadresse kann ferngesteuert von 001 bis xxx eingestellt werden.
- **PERSÖNLICHKEIT:** Der DMX-Arbeitsmodus (DMX-Grafik) kann ferngesteuert eingestellt werden.

Diese 2 Funktionen ermöglichen es, einen vollständigen DMX-Patch aller Beamer auf dem DMX-Controller zu erstellen und diese Daten an alle Beamer auf einmal zu senden. Weitere Funktionen werden später hinzugefügt.

## PFLEGE

- Stellen Sie sicher, dass sich keine unbefugten Personen unterhalb des Geräts befinden, während es gewartet wird.
- Schalten Sie das Gerät aus, ziehen Sie den Netzstecker und warten Sie, bis es sich abgekühlt hat.

### Während der Wartung sind folgende Punkte ganz besonders zu beachten:

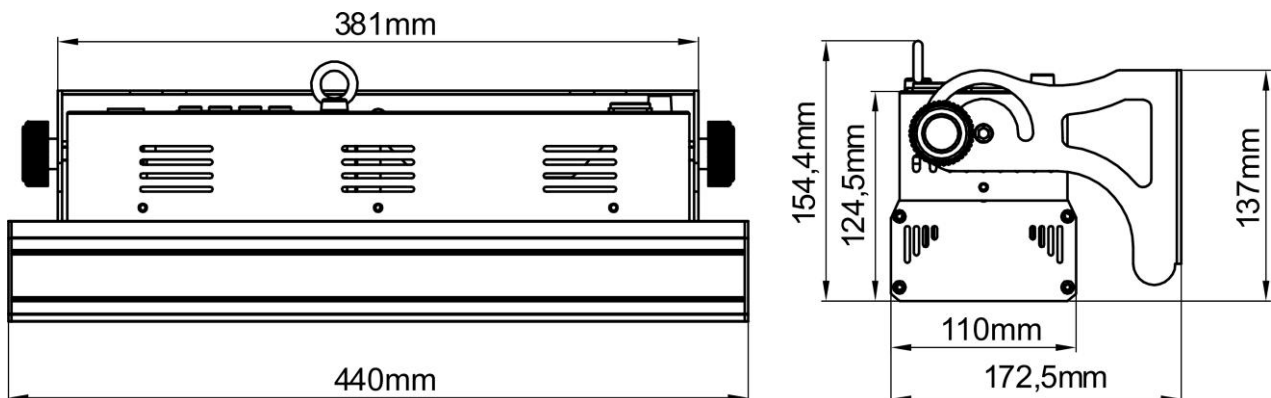
- Sämtliche Schrauben zur Installation und Befestigung der gesamten Teile müssen fest angezogen und rostfrei sein.
- Gehäuse, Befestigungsmaterialien und Aufhängungen (Decke, Balken, abgehängte Decken) dürfen keine Anzeichen von Verformung aufweisen.
- Wenn die Optik sichtbar beschädigt ist (Sprünge oder tiefe Kratzer), dann müssen die entsprechenden Teile ausgetauscht werden.
- Das Netzkabel muss stets in einwandfreiem Zustand sein und selbst bei kleinsten Beschädigungen erneuert werden.
- Zur Vermeidung von Überhitzung müssen die Ventilatoren (sofern vorhanden) und Lüftungsschlitze monatlich gereinigt werden.
- Das Geräteinnere mindestens einmal pro Jahr mit einem Staubsauger oder einer Luftdüse reinigen.
- Die Reinigung der inneren und äußeren optischen Linsen und/oder Spiegel muss in regelmäßigen Abständen zur Beibehaltung einer optimalen Lichtausbeute vorgenommen werden. Die Häufigkeit der Reinigung hängt von der Umgebung ab, in welcher die Beleuchtungskörper eingesetzt sind: feuchte, verrauchte oder besonders verschmutzte Umgebungen führen zu einer stärkeren Verschmutzung der Optik der Geräte.
  - Mit einem weichem Tuch und gewöhnlichem Glasreiniger säubern.
  - Alle Teile stets gut abtrocknen.

**Achtung:** Wir empfehlen dringend, die Reinigung des Geräteinneren nur von qualifiziertem Personal durchführen zu lassen!

## TECHNISCHE DATEN

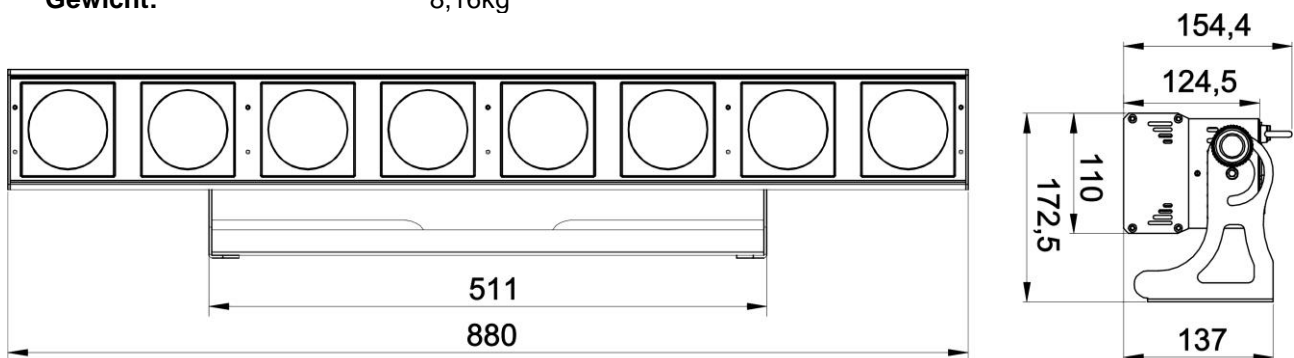
### POWERPIXEL4-RGB

Netzspannung:	AC 110V - 240V, 50/60Hz
Leistungsaufnahme:	160 Watt max.
Sicherung:	250V T2A (20mm Glas)
Musiksteuerung:	Eingebautes Mikrofon
DMX-Anschlüsse:	3- und 5-poliger XLR Stecker/Buchse
Benutzte DMX-Kanäle:	3+4+5+6+12+15+16 Kanäle
Lichtquelle:	4x RGB 30W COB
LED-Bildwiederholrate:	1200Hz
Abstrahlwinkel:	60°
Abmessungen:	440 x 172,5 x 154,4mm
Gewicht:	5,20kg



### POWERPIXEL8-RGB

Netzspannung:	AC 110V - 240V, 50/60Hz
Leistungsaufnahme:	290 Watt max.
Sicherung:	250V T2A (20mm Glas)
Musiksteuerung:	Eingebautes Mikrofon
DMX-Anschlüsse:	3- und 5-poliger XLR Stecker/Buchse
Benutzte DMX-Kanäle:	3+4+5+6+12+24+27+32 Kanäle
Lichtquelle:	8x RGB 30W COB
LED-Bildwiederholrate:	1200Hz
Abstrahlwinkel:	60°
Abmessungen:	880 x 172,5 x 154,4mm
Gewicht:	8,16kg



Technische Änderungen können auch ohne Vorankündigung vorgenommen werden  
 Sie können sich die neueste Version dieses Benutzerhandbuches von unserer Website  
 herunterladen: [www.briteq-lighting.com](http://www.briteq-lighting.com)

# MANUAL DE INSTRUCCIONES

Gracias por comprar este producto de Briteq®. Para aprovechar al máximo todas las posibilidades y para su propia seguridad, lea detenidamente este manual de instrucciones antes de comenzar a utilizar la unidad.

## CARACTERÍSTICAS

Esta unidad tiene supresión de radio interferencia. Este producto cumple con todas las exigencias de las pautas actuales, tanto europeas como nacionales. Dicha conformidad ha sido establecida y los dictámenes y documentos han sido consignados por el fabricante.

- Este dispositivo fue diseñado para producir efectos de iluminación decorativa y se utiliza en sistemas de espectáculos de iluminación.
- Potente proyector LED para interiores equipado con 4 u 8 unidades de LEDs 30W COB RGB.
- Gracias al amplísimo ángulo de 60° de su haz, este proyector es la solución perfecta para aplicaciones de "rango cercano", como baños de luz para paredes, pero también es genial para escenarios de conciertos, teatros, discotecas, exposiciones, ...
- Gracias a las fuentes RGB, no hay sobras de color en absoluto.
- Absolutamente perfecto para mezclas de color, incluso a muy corta distancia.
- Excelentes programas incorporados para brindar espectáculos de luces maravillosos continuamente cambiantes.
- Excelente mezcla de color de 16bit RGB y una atenuación que baja hasta 0%.
- Funcionamiento totalmente silencioso, gracias al sistema de enfriamiento natural por convección.
- Puede funcionar en modo autónomo, maestro/esclavo, o puede seleccionarse por DMX:
  - Colores estáticos
  - Fundido de colores
  - Diferentes seguimientos estáticos
  - Diferentes seguimientos activados pro sonido
- Control DMX total con diferentes modos de canal, abarcando desde el modo simple de 3CH hasta el modo de 16-32CH para un control total RGB+DIM sobre cada uno de los píxeles.
- Funcionalidad RDM para una fácil instalación remota: Direccionamiento DMX, modo de canal, ...
- Retroiluminación alfanumérica con 2 pantallas LCD de 16 caracteres para una sencilla navegación por los menús.
- Salidas/entradas Neutrik PowerCON: fácil conexión en serie de varias unidades.
- Entradas/salidas DMX de 3 y 5 patillas para una compatibilidad máxima.
- ¡Alta eficiencia y bajo consumo energético!
- Soporte multifuncional, diseñado tanto para montaje en suelo como para en estructuras truss.

## ANTES DEL USO

- Antes de comenzar a utilizar esta unidad, compruebe si no ha sufrido daños durante el transporte. Si hubiera alguno, no utilice el dispositivo y consulte primero con su distribuidor.
- **Importante:** Este dispositivo salió de nuestra fábrica en perfectas condiciones y bien embalado. Es absolutamente necesario que se obedezcan al pie de la letra las instrucciones y advertencias de seguridad que aparecen en este manual de usuario. Cualquier daño causado por una mala manipulación no estará cubierto por la garantía. El distribuidor no aceptará ninguna responsabilidad por defectos o problemas resultantes causados por no obedecer lo indicado en este manual de usuario.
- Mantenga este folleto en un lugar seguro para futuras consultas. Si vende este equipo, asegúrese de incluir este manual de usuario.

### Compruebe el contenido:

Verifique que la caja contenga los elementos siguientes:

- Instrucciones de funcionamiento
- POWERPIXEL-RGB
- Cable de alimentación PowerCON

## INSTRUCCIONES DE SEGURIDAD:



**CAUTION**  
RISK OF ELECTRIC SHOCK  
DO NOT OPEN



**PRECAUCIÓN:** Para reducir el riesgo de descarga eléctrica, no retire la cubierta superior. Dentro no hay componentes que requieran de servicio por parte del usuario. Para todo tipo de servicio refiérase solamente a personal cualificado.



El símbolo de relámpago con punta de flecha dentro de un triángulo equilátero advierte al usuario de la presencia de una "tensión peligrosa" no aislada dentro de la carcasa del sistema que puede ser de una magnitud suficiente como para constituir un riesgo de descarga eléctrica.



El signo de admiración dentro de un triángulo equilátero advierte al usuario de la presencia de instrucciones importantes relacionadas con la operación y el mantenimiento en la literatura que se entrega junto con el equipo.



Este símbolo significa: sólo para uso en interiores



Este símbolo significa: Lea las instrucciones



Este símbolo determina: la distancia mínima desde los objetos iluminados. La distancia mínima entre la salida de luz y la superficie iluminada debe ser mayor de 1 metro.



El dispositivo no es adecuado para el montaje directo sobre superficies normalmente inflamables. (es adecuado solamente para el montaje sobre superficies no combustibles)

**RISK GROUP 2**  
**CAUTION:**  
Do not stare at operating lamp

**PRECAUCIÓN:** No mire a las lámparas cuando estén encendidas. Pueden dañar la vista.

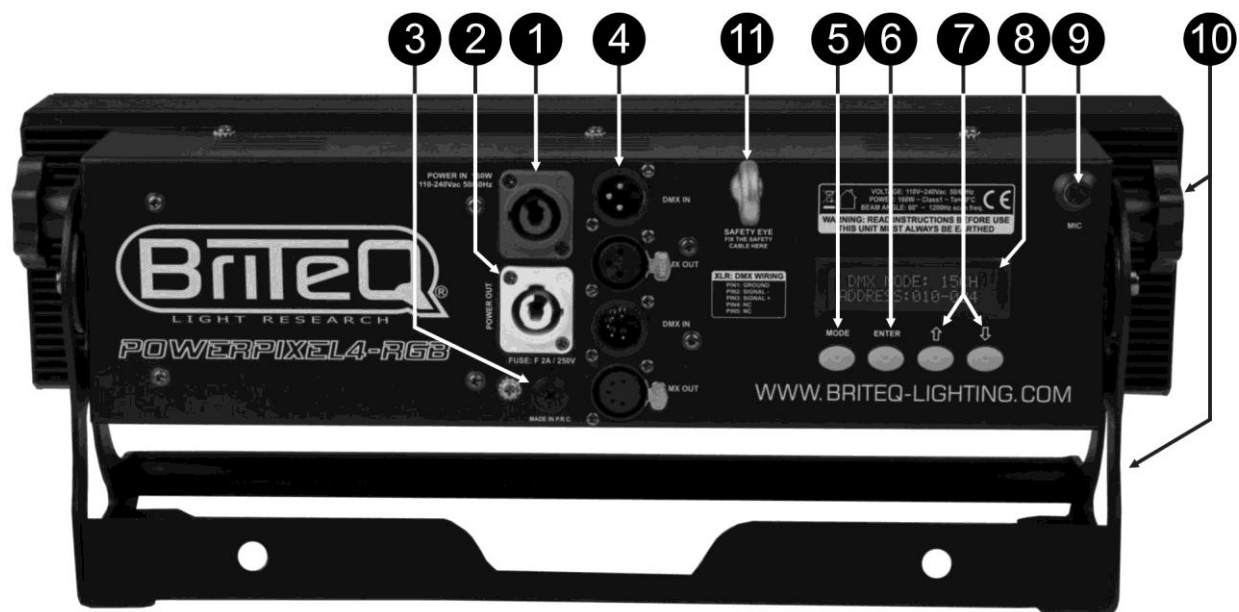
- Para proteger el medio ambiente, intente reciclar el material del embalaje en la mayor medida posible.
- Para evitar el riesgo de incendio o de descarga eléctrica, no exponga este aparato a la lluvia ni a la humedad.
- Para evitar que se forme condensación en el interior del equipo, permita que la unidad se adapte a la temperatura ambiental cuando se lleve a una habitación cálida después del transporte. La condensación impide a veces que la unidad trabaje a plena capacidad e incluso puede causar daños.
- Esta unidad es solamente para uso en interiores.
- No coloque objetos metálicos ni derrame líquidos dentro de la unidad. Puede dar como resultado una descarga eléctrica o un mal funcionamiento. Si un objeto extraño se introduce dentro de la unidad, desconecte de inmediato la alimentación eléctrica.
- Ubique el accesorio en un punto bien ventilado, lejos de materiales y/o líquidos inflamables. El aparato debe fijarse por lo menos a 50cm de las paredes circundantes.
- No cubra ninguna abertura de ventilación ya que esto puede provocar sobrecalentamiento.
- Evite emplearlo en ambientes polvorientos; limpie la unidad con regularidad.
- Mantenga la unidad lejos de los niños.
- Este equipo no debe ser utilizado por personas inexpertas.
- La temperatura ambiente máxima segura es de 40°C. No utilice esta unidad a temperaturas ambiente mayores que ésta.
- Asegúrese de que el área que se encuentra bajo el lugar de instalación esté libre de personas no autorizadas durante su elevación, descenso y reparación.
- Deje transcurrir alrededor de 10 minutos para que el dispositivo se enfríe antes de realizar cualquier labor de mantenimiento.
- Siempre desenchufe la unidad cuando no se vaya a utilizar durante un período de tiempo prolongado o cuando se vayan a realizar labores de mantenimiento.
- La instalación eléctrica debe realizarla solamente personal cualificado, de acuerdo con las regulaciones para la seguridad eléctrica y mecánica de su país.
- Compruebe que la tensión disponible sea la indicada en la unidad.
- El cable de alimentación debe estar siempre en perfectas condiciones. Apague de inmediato la unidad cuando el cable de alimentación esté aplastado o dañado. Si el cable de alimentación está dañado, debe ser sustituido por el fabricante, por su representante de servicio o por una persona de cualificación similar para evitar un accidente.
- ¡Nunca permita que el cable de alimentación haga contacto con otros cables!
- Este aparato debe conectarse a tierra para cumplir con las regulaciones de seguridad.
- No conecte la unidad a un dispositivo de atenuación.
- Cuando instale la unidad utilice siempre un cable de seguridad apropiado y certificado.

- Para evitar descargas eléctricas, no abra la cubierta. No hay piezas reparables por el usuario, aparte del fusible.
- **Nunca** repare un fusible o puentee el soporte del fusible. ¡**Siempre** sustituya un fusible dañado con otro del mismo tipo y las mismas especificaciones eléctricas!
- En el caso de que haya serios problemas de funcionamiento, detenga el uso del aparato y contacte inmediatamente con su distribuidor.
- La carcasa y las lentes deben sustituirse si están visiblemente dañadas.
- Utilice el embalaje original cuando haya que transportar el dispositivo.
- Debido a razones de seguridad, está prohibido realizar modificaciones no autorizadas a la unidad.

**Importante:** ¡Nunca mire directamente a la fuente de luz! No utilice el efecto en presencia de personas que padezcan de epilepsia.

## DESCRIPCIÓN:

*Nota:* Se muestra el POWERPIXEL4-RGB, el POWERPIXEL8-RGB tiene controles y conexiones idénticos.



- 1. ENTRADA DE ALIMENTACIÓN:** equipado con Neutrik PowerCON original®. Conecte el cable de alimentación que se adjunta o cualquier cable de extensión PowerCON® aquí.
- 2. SALIDA DE ALIMENTACIÓN:** Usado para conectar en serie la alimentación a varios otros proyectores. ¡Preste siempre atención a la carga máxima cuando añada proyectores! Multi cables especiales (PowerCON® + cables DMX XLR están disponibles opcionalmente: ¡visite nuestra página Web!)
- 3. FUSIBLE DE LA CORRIENTE:** Protege la unidad en caso de problemas eléctricos; ¡use siempre el fusible que se recomienda!
- 4. ENTRADA/SALIDA DMX:** Dispone de entradas/salida de 3 y 5 patillas para conectar en serie el proyector con otras unidades que estarán controladas por un controlador DMX.
- 5. Botón MODE:** se usa para navegar por las diferentes opciones del menú de configuración.
- 6. Botón ENTER:** Se usa para saltar entre los diferentes parámetros de la opción seleccionada. Asimismo confirma los valores seleccionados de los parámetros.
- 7. Botones ARRIBA/ABAJO:** se utilizan para aumentar/disminuir el valor del parámetro seleccionado.
- 8. PANTALLA LCD:** 2 pantallas LCD retroiluminadas de 16 caracteres para una navegación fácil. La retroiluminación se enciende tan pronto como se pulsa uno de los botones. Muestra el modelo + la versión de software al arrancar.
- 9. MIC:** Se usa para activar los programas en modo música.
- 10. SOPORTE:** Diseño multifuncional y muy estable tanto para el montaje en el suelo como en panel. El proyector puede orientarse en cualquier dirección.
- 11. CÁNCAMO DE SEGURIDAD:** utilizado para fijar un cable de seguridad cuando la unidad está izada (consulte el párrafo “elevación sobre cabeza”)



## ELEVACIÓN SOBRE CABEZA

- **Importante:** La instalación debe efectuarla solamente personal de servicio cualificado. Una instalación no adecuada puede dar como resultado lesiones serias y/o daños a la propiedad. ¡La elevación sobre cabeza requiere una experiencia extensa! Deben respetarse los límites de carga de trabajo, deben utilizarse materiales de instalación certificados, el dispositivo instalado debe inspeccionarse con regularidad por motivos de seguridad.
- Asegúrese de que el área que se encuentra bajo el lugar de instalación esté libre de personas no autorizadas durante su elevación, descenso y reparación.
- Ubique el accesorio en un punto bien ventilado, lejos de materiales y/o líquidos inflamables. El aparato debe fijarse **por lo menos a 50cm** de las paredes circundantes.
- El dispositivo debe instalarse fuera del alcance de las personas y fuera de las áreas donde haya paso de personas o donde éstas permanezcan sentadas.
- Antes de efectuar la elevación, asegúrese de que el área de instalación pueda sostener una carga puntual mínima de 10 veces el peso del dispositivo.
- Cuando instale la unidad, utilice siempre un cable de elevación certificado que pueda sostener 12 veces el peso del dispositivo. Esta segunda fijación de seguridad debe instalarse de forma que ninguna parte de la instalación pueda caer más de 20cm si la fijación principal falla.
- El dispositivo debe fijarse bien, ¡un montaje de libre oscilación es peligroso y no debe considerarse!
- No cubra ninguna abertura de ventilación ya que esto puede provocar sobrecalentamiento.
- El operador tiene que estar seguro de que las instalaciones relacionadas con la seguridad y con la técnica de la máquina sean aprobadas por un experto antes de utilizarlas por primera vez. Las instalaciones deben inspeccionarse anualmente por una persona con experiencia para asegurarse de que la seguridad es óptima.

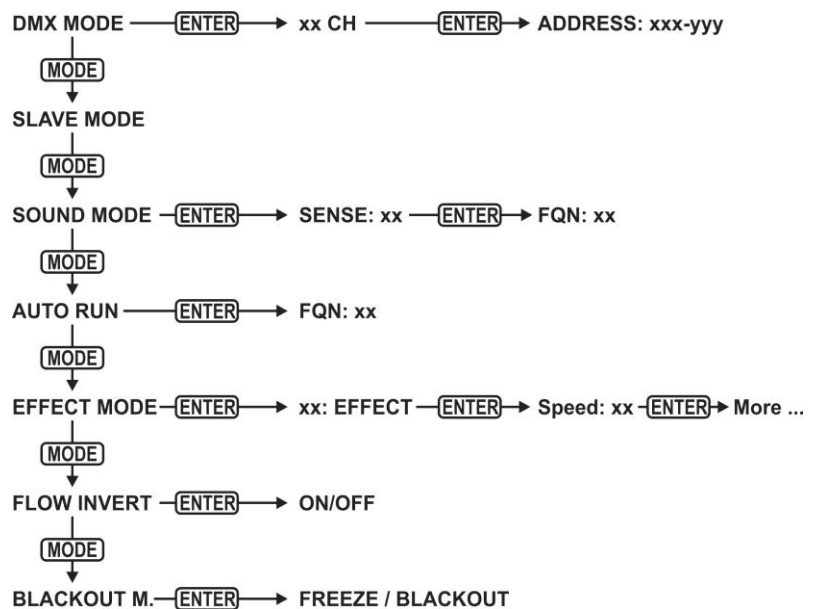


## MENÚ DE CONFIGURACIÓN

Con el menú de configuración puede configurar totalmente el proyector. Se guarda toda la configuración cuando se desconecta la unidad de la corriente eléctrica.

### Buscar por el menú de configuración: Instrucciones generales para la configuración.

- Pulse el botón MODE para navegar por las diferentes funciones del menú de configuración hasta que la función deseada aparezca en la pantalla.
- Pulse el botón ENTER para acceder a la función y cambiar sus parámetros.
- El cursor del valor a6 cambiar empieza a parpadear. Use el botón ABAJO y ARRIBA para cambiar el valor.
- Vuelva a pulsar el botón ENTER para confirmar y seleccionar el siguiente parámetro a ajustar.



### MODO DMX + DIRECCIÓN

Se usa para fijar el modo del canal DMX e iniciar la dirección.

- Pulse el botón MODE hasta que aparezca en pantalla "DMX MODE".
- Pulse el botón ENTER: se puede fijar el modo del canal (número canales usados).
- Use los botones ABAJO y ARRIBA para cambiar el valor del modo de canal que desee:

- **Modos POWERPIXEL4-RGB:**

- **03CH:** los 4 proyectores juntos RGB
- **04CH:** los 4 proyectores juntos RGB + atenuador maestro/audio/canal estroboscópico
- **05CH:** los 4 proyectores juntos RGB + atenuador maestro + audio/canal estroboscópico

- **06CH:** 2 grupos de 2 proyectores RGB + RGB
  - **12CH:** todos los proyectores individualmente RGB
  - **15CH:** todos los proyectores individualmente RGB + 3 canales para funciones especiales.
  - **16CH:** todos los proyectores individualmente RGB + atenuador maestro
  - **Modos POWERPIXEL8-RGB:**
    - **03CH:** los 4 proyectores juntos RGB
    - **04CH:** los 4 proyectores juntos RGB + atenuador maestro/audio/canal estroboscópico
    - **05CH:** los 4 proyectores juntos RGB + atenuador maestro + audio/canal estroboscópico
    - **06CH:** 2 grupos de 4 proyectores RGB + RGB
    - **12CH:** 4 grupos de 2 proyectores RGB + RGB + RGB + RGB
    - **24CH:** todos los proyectores individualmente RGB
    - **27CH:** todos los proyectores individualmente RGB + 3 canales para funciones especiales.
    - **32CH:** todos los proyectores individualmente RGB + atenuador maestro
  - Pulse el botón ENTER: se puede fijar la dirección de inicio; la pantalla muestra la dirección de inicio + fin: "xxx-yyy".
  - Use los botones ABAJO y ARRIBA para ajustar la dirección de inicio (xxx).
- Nota: Dependiendo del modo del canal, la dirección final (yyy) del proyector cambia automáticamente. Esto le facilita fijar la dirección de inicio del siguiente proyector en la línea DMX.*

### **MODO SLAVE**

**Se usa para fijar al proyector en modo esclavo; el proyector copia la salida del master en la línea.**

- Pulse el botón MODE hasta que aparezca en pantalla "SLAVE MODE".
- Conecte el proyector a un master.

*Nota: El POWERPIXEL4-RGB y el POWERPIXEL8-RGB pueden mezclarse en una línea, ¡el maestro debe ser un POWERPIXEL8-RGB!*

### **MODO DE SONIDO**

**Se usa para fijar el proyector en modo de sonido independiente con diferentes series que se reproducen en bucles interminables.**

Pulse el botón MODE hasta que aparezca en pantalla "SOUND MODE".

- Pulse el botón ENTER; se puede fijar la sensibilidad del micrófono (SENS) de 00 a 31.
- Use los botones ABAJO y ARRIBA para cambiar el valor.
- Pulse el botón ENTER; la tasa de repetición (FQN) de las series puede fijarse de 00 a 99.
- Use los botones ABAJO y ARRIBA para cambiar el valor.

### **MODO AUTOMÁTICO SIMPLE**

**Se usa para fijar el proyector en modo automático independiente con diferentes series que se reproducen en bucles interminables.**

Pulse el botón MODE hasta que aparezca en pantalla "AUTO RUN".

- Pulse el botón ENTER; la tasa de repetición (FQN) de las series puede fijarse de 00 a 99.
- Use los botones ABAJO y ARRIBA para cambiar el valor.

### **MODO AUTÓNOMO**

**Se usa para fijar el proyector en modo automático independiente con series u opciones ajustables por el usuario.**

- Pulse el botón MODE hasta que un número que varíe entre "01." a "14." aparezca en la línea 1 de la pantalla.
- Pulse el botón ENTER, use los botones ARRIBA/ABAJO para seleccionar una de las 14 opciones/series disponibles.
- Dependiendo de la opción/serie seleccionada dispone de diferentes configuraciones:
  - **01. ESTÁTICO:** (se puede seleccionar 7 colores estáticos.)
    - Pulse el botón ENTER: se puede seleccionar uno de los 7 colores estáticos (CL).
    - Use los botones ABAJO y ARRIBA para cambiar el color.
    - Pulse el botón ENTER; se puede fijar la tasa de estrobo (Flash) de 00 (sin estrobo) a 99 (rápido).
    - Use los botones ABAJO y ARRIBA para cambiar el valor.
  - **01. a 12. XXXXX:** (diferentes series, incluyendo atenuación del color, cambio de color, efecto meteoro, ...)
  - Pulse el botón ENTER: Se puede fijar la velocidad de 01 a 99.
  - Use los botones ABAJO y ARRIBA para cambiar el valor.

- Pulse el botón ENTER; se puede fijar la tasa de estrobo (Flash) de 00 (sin estrobo) a 99 (rápido).
- Use los botones ABAJO y ARRIBA para cambiar el valor.
- **13. FLOW8 y 14. FLOW9:** (series en 1 o 2 direcciones con elección de color en la serie).
  - Pulse el botón ENTER: Se puede fijar la velocidad de 01 a 99.
  - Use los botones ABAJO y ARRIBA para cambiar el valor.
  - Pulse el botón ENTER; se puede fijar la tasa de estrobo (Flash) de 00 (sin estrobo) a 99 (rápido).
  - Use los botones ABAJO y ARRIBA para cambiar el valor.
  - Pulse el botón ENTER: Se puede seleccionar el color básico de la serie (C1).
  - Use los botones ABAJO y ARRIBA para cambiar el color. (o apagón)
  - Pulse el botón ENTER: Se puede seleccionar el funcionamiento del color de la serie (C2).
  - Use los botones ABAJO y ARRIBA para cambiar el color. (o apagón)

**MODO DE FLUJO INVERTIDO**

Se utiliza para cambiar la dirección de ejecución de los seguimientos.

- Pulse el botón MODE hasta que en la pantalla aparezca “FLOW INVERT”.
- Utilice los botones ARRIBA y ABAJO para alternar entre ON y OFF.

**MODO BLACKOUT**

Se utiliza para seleccionar el comportamiento del proyector cuando falla el DMX (no se detecta DMX).

- Pulse el botón MODE hasta que aparezca en pantalla “BLACKOUT MODE”.
- Utilice los botones ABAJO y ARRIBA para alternar entre:
  - **BLACKOUT:** la salida se queda en negro mientras no se detecte DMX.
  - **FREEZE:** la señal basada en la última señal DMX se mantiene en el proyector.

*Nota: en el momento en el que se detecte una señal DMX, el modo apagado o el congelado se cancelarán.*

**INSTALACIÓN ELÉCTRICA**



**Importante:** La instalación eléctrica debe realizarla solamente personal cualificado, de acuerdo con las regulaciones para la seguridad eléctrica y mecánica de su país.

**INDEPENDIENTE CON SERIES INTEGRADAS:**

Use esta función cuando desee un espectáculo instantáneo en sólo 1 proyector.

- Conecte el proyector a la corriente eléctrica y enciéndalo.
- Seleccione uno de los siguiente modos en el menú de configuración:
  - **Modo SONIDO:** Si desea elegir programas que funcionen al ritmo del compás. Véase la sección “menú de configuración” para obtener más información sobre la configuración.
  - **Modo INDEPENDIENTE:** Si desea elegir programas que funcionen automáticamente pero desea cierto control sobre la serie seleccionada. Véase la sección “menú de configuración” para obtener más información sobre la configuración.
  - **Modo FUNCIONAMIENTO AUTOMÁTICO:** si desea series de programas que funcionen automáticamente. Véase la sección “menú de configuración” para obtener más información sobre la configuración.

**INDEPENDIENTE, MASTER/ESCLAVO CON SERIES INTEGRADAS:**

Use esta función cuando desee un espectáculo instantáneo en sólo 1 proyector.

Al vincular las unidades en la conexión master/esclavo, la primera unidad controlará las demás unidades para mostrar un espectáculo de luces sincronizado activado por sonido o automático.

- Conecte los proyectores tal y como se muestra en el diagrama que aparece debajo.



- **Configuración del master:** Exactamente el mismo procedimiento que la configuración “STANDALONE”.
- **Configuración de los esclavos:** Todos los esclavos deben fijarse en “SLAVE MODE”; véase la sección “menú de configuración” para obtener más información sobre la configuración.

**INSTALACIÓN ELÉCTRICA PARA DOS O MÁS UNIDADES EN MODO DMX:**

Use esta función cuando desee controlar los proyectores por medio de cualquier controlador DMX.

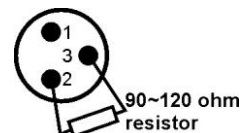
- Conecte los proyectores tal y como se muestra en el diagrama que aparece debajo.



- Primero coloque los proyectores en el modo DMX que desee: véase los diferentes cuadros DMX y elija el que mejor se ajuste a sus necesidades.
- Dé a todos los proyectores una dirección de inicio; cada proyector muestra su dirección de inicio + fin; asegúrese que las direcciones no se solapen.

**Información general sobre DMX:**

- El protocolo DMX es una señal de alta velocidad ampliamente utilizada para controlar equipamiento de iluminación inteligente. Tiene que conectar su controlador DMX y todas las unidades conectadas en configuración “daisy chain” con un cable balanceado de buena calidad.
- Se utilizan tanto conectores XLR de 3 pines como XLR de 5 pines; no obstante, el XLR de 3 pines es más popular porque estos cables son compatibles con cables de audio balanceados.
- Distribución de pines para el XLR-3: Pin1 = TIERRA ~ Pin2 = Señal Negativa (-) ~ Pin3 = Señal Positiva (+).
- Distribución de pines para el XLR-5: Pin1 = TIERRA ~ Pin2 = Señal Negativa (-) ~ Pin3 = Señal Positiva (+) ~ Pines 4+5 sin usar.
- Para evitar un comportamiento extraño de los efectos de luces debido a interferencias, debe utilizar un terminador de 90Ω a 120Ω al final de la cadena. Nunca utilice cables repartidores Y, ¡esto simplemente no funcionará!
- Asegúrese de que todas las unidades estén conectadas a la alimentación.
- Cada dispositivo de efectos de luces de la cadena tiene que tener su propia dirección de inicio, de manera que sepa cuáles comandos procedentes del controlador tiene que decodificar.



**FUNCIONES RDM/INSTALACIÓN REMOTA**

RDM significa “Gestión Remota del Dispositivo”. Este proyector funciona con un pequeño conjunto de funciones RDM, lo que indica que puede configurar una comunicación bidireccional con un controlador DMX compatible con RDM. Algunas de las funciones se explican brevemente abajo; otras se añadirán en el futuro.

- El controlador DMX envía un “comando de descubrimiento”; todos los dispositivos RDM responden y envían su ID de dispositivo única.
- El controlador DMX solicita a cada dispositivo RDM algunos datos básicos de forma que sabe qué dispositivos están conectados. El proyector POWERPIXEL responderá:
  - **Nombre del dispositivo:** PIXEL4-RGB o PIXEL8-RGB
  - **Fabricante:** Briteq®
  - **Categoría:** Potenciómetro LED
  - **Firmware:** x.x.x.x (versión de firmware del proyector)
  - **Dirección DMX:** xxx (la dirección de inicio DMX actual del proyector)
  - **Impronta DMX:** xx (número de canales DMX usados por el proyector)
  - **Personalidad:** xx (personalidad actual [o modo de funcionamiento DMX] usado por los proyectores)
- El controlador DMX puede enviar ciertos comandos a cada dispositivo RDM que permiten la configuración remota de las unidades. Gracias a esto, el POWERPIXEL puede configurarse de forma remota.

**Las siguientes funciones pueden gestionarse de forma remota:**

¡Ya no necesita coger una escalera y fijar todas las unidades una a una!

- **DIRECCIÓN DE INICIO DMX:** Se puede fijar de forma remota la dirección de inicio de 001 a xxx.
- **PERSONALIDAD:** Se puede fijar de forma remota el modo de funcionamiento DMX (cuadro DMX).

Estas 2 funciones posibilitan preparar una conexión completa DMX de todos los proyectores en el controlador DMX y enviar estos datos a todos los proyectores a la vez. Posteriormente se añadirán más funciones.

## **CUADROS DMX**

Para una máxima compatibilidad, tanto el POWERPIXEL4-RGB como POWERPIXEL8-RGB tienen las mismas tablas DMX, para que puedan funcionar juntos con facilidad. Tablas DMX más avanzadas son específicas para cada modelo. A continuación encontrará 3 partes: Tablas combinadas, tablas específicas del POWERPIXEL4-RGB y tablas específicas del POWERPIXEL8-RGB.

### **A/ TABLAS DMX PARA POWERPIXEL4-RGB + POWERPIXEL8-RGB**

**Modo de 3 canales DMX: todos los píxeles funcionando juntos en RGB**

<b>Canal:</b>	<b>Valor:</b>	<b>Función:</b>	<b>Comentarios</b>
1	000-255	<b>Rojo (0-100%)</b>	
2	000-255	<b>Verde (0-100%)</b>	
3	000-255	<b>Azul (0-100%)</b>	

**Modo DMX de 4 canales: todos los píxeles funcionando juntos en RGB + ATENUADOR MAESTRO/SONIDO/ESTROBO**

<b>Canal:</b>	<b>Valor:</b>	<b>Función:</b>	<b>Comentarios</b>
1	000-255	<b>Rojo (0-100%)</b>	
2	000-255	<b>Verde (0-100%)</b>	
3	000-255	<b>Azul (0-100%)</b>	
4	000-190	<b>Atenuador maestro</b>	000=0% ~ 190=100% (totalmente abierto)
	191-200	<b>Control por sonido (7 colores)</b>	Sensibilidad de audio: 191=baja ~ 200=alta
	201-247	<b>Estrobo</b>	Velocidad en aumento: 201=lenta ~ 247=rápida
	248-255	<b>Atenuador maestro @ 100%</b>	El atenuador maestro está completamente abierto

**Modo DMX de 5 canales: todos los píxeles funcionando juntos en RGB + TENUADOR MASTER + SONIDO/ESTROBO**

<b>Canal:</b>	<b>Valor:</b>	<b>Función:</b>	<b>Comentarios</b>
1	000-255	<b>Rojo (0-100%)</b>	
2	000-255	<b>Verde (0-100%)</b>	
3	000-255	<b>Azul (0-100%)</b>	
4	000-255	<b>Atenuador maestro (0-100%)</b>	
5	000-004	<b>ENCENDIDO</b>	
	005-024	<b>Control por sonido (7 colores)</b>	Sensibilidad de audio: 191=baja ~ 200=alta
	025-034	<b>ENCENDIDO</b>	
	035-255	<b>Estrobo</b>	Velocidad en aumento: 201=lenta ~ 247=rápida

**Modo de 15 / 27 canales DMX: todos los proyectores individualmente + 3CH para funciones especiales)**

Los canales 1 a 15 son idénticos para ambos proyectores, para el POWERPIXEL8-RGB, los canales 16 a 27 son controles adicionales individuales de píxeles RGB.

Valor CH1	Función CH1	CH2	CH3	CN4	CH5	CH6	... CH15 ... CH27
000-015	Control RGB en CH4-15	Maestra atenuador	ESTROBO  000 SIN ESTROBO  001-255 LENTO A RÁPIDO	R1 000-255	R1 000-255	B1 000-255	... ...
016-023	Rojo en todos los píxeles	atenuador					
024-031	Verde en todos los píxeles	atenuador					
032-039	Azul en todos los píxeles	atenuador					
040-047	Rojo/Verde en todos los píxeles	atenuador					
048-055	Verde/Azul en todos los píxeles	atenuador					
056-063	Rojo/Azul en todos los píxeles	atenuador					
064-071	RGB en todos los píxeles	atenuador					
072-079	Color 1	atenuador					
080-087	Color 2	atenuador					
088-095	Color 3	atenuador					
096-103	Color 4	atenuador					
104-111	Color 5	atenuador					
112-119	Color 6	atenuador					
120-127	Color 7	atenuador					
128-135	Color 8	atenuador					
136-143	CFADE	VELOCIDAD  000-255 LENTO A RÁPIDO					
144-151	METEOR						
152-159	FUNDIDO						
160-167	CHANGE						
168-175	FLUJO1						
176-183	FLUJO2						
184-191	FLUJO3						
192-199	FLUJO4						
200-207	FLUJO5						
208-215	FLUJO6						
216-223	FLUJO7						
224-231	FLUJO8	SENS 000-255 BAJO A ALTO	<b>CN4 Seleccionar Color 1</b> 000-035 RGB 036-071 RB 072-107 GB 108-143 RG 144-179 B 180-215 G 216-251 R 252-255 OFF		<b>CH5 Seleccionar Color 2</b> 000-035 OFF 036-071 R 072-107 G 108-143 B 144-179 RG 180-215 GB 216-251 RB 252-255 RGB		
232-239	FLUJO9						
240-255	MODO DE SONIDO						

**B/ TABLAS DMX SÓLO PARA POWERPIXEL4-RGB**

**Modo 6 canales DMX: 2 grupos de 2 proyectores, control RGB**

<b>Canal:</b>	<b>Valor:</b>	<b>Función:</b>	<b>Comentarios</b>
1	000-255	<b>Rojo (0-100%)</b>	Control para los pixeles 1 + 2
2	000-255	<b>Verde (0-100%)</b>	Control para los pixeles 1 + 2
3	000-255	<b>Azul (0-100%)</b>	Control para los pixeles 1 + 2
4	000-255	<b>Rojo (0-100%)</b>	Control para los pixeles 3 + 4
5	000-255	<b>Verde (0-100%)</b>	Control para los pixeles 3 + 4
6	000-255	<b>Azul (0-100%)</b>	Control para los pixeles 3 + 4

**Modo de 12 canales DMX: todos los proyectores controlados individualmente RGB**

<b>Canal:</b>	<b>Valor:</b>	<b>Función:</b>	<b>Comentarios</b>
1	000-255	<b>Rojo (0-100%)</b>	Control para el píxel 1
2	000-255	<b>Verde (0-100%)</b>	Control para el píxel 1
3	000-255	<b>Azul (0-100%)</b>	Control para el píxel 1
4	000-255	<b>Rojo (0-100%)</b>	Control para el píxel 2
5	000-255	<b>Verde (0-100%)</b>	Control para el píxel 2
6	000-255	<b>Azul (0-100%)</b>	Control para el píxel 2
7	000-255	<b>Rojo (0-100%)</b>	Control para el píxel 3
8	000-255	<b>Verde (0-100%)</b>	Control para el píxel 3
9	000-255	<b>Azul (0-100%)</b>	Control para el píxel 3
10	000-255	<b>Rojo (0-100%)</b>	Control para el píxel 4
11	000-255	<b>Verde (0-100%)</b>	Control para el píxel 4
12	000-255	<b>Azul (0-100%)</b>	Control para el píxel 4

**Modo de 16 canales DMX: todos los proyectores controlados individualmente RGB+DIM**

<b>Canal:</b>	<b>Valor:</b>	<b>Función:</b>	<b>Comentarios</b>
1	000-255	<b>Rojo (0-100%)</b>	Control para el píxel 1
2	000-255	<b>Verde (0-100%)</b>	Control para el píxel 1
3	000-255	<b>Azul (0-100%)</b>	Control para el píxel 1
4	000-255	<b>Atenuador maestro (0-100%)</b>	Control para el píxel 1
5	000-255	<b>Rojo (0-100%)</b>	Control para el píxel 2
6	000-255	<b>Verde (0-100%)</b>	Control para el píxel 2
7	000-255	<b>Azul (0-100%)</b>	Control para el píxel 2
8	000-255	<b>Atenuador maestro (0-100%)</b>	Control para el píxel 2
9	000-255	<b>Rojo (0-100%)</b>	Control para el píxel 3
10	000-255	<b>Verde (0-100%)</b>	Control para el píxel 3
11	000-255	<b>Azul (0-100%)</b>	Control para el píxel 3
12	000-255	<b>Atenuador maestro (0-100%)</b>	Control para el píxel 3
13	000-255	<b>Rojo (0-100%)</b>	Control para el píxel 4
14	000-255	<b>Verde (0-100%)</b>	Control para el píxel 4
15	000-255	<b>Azul (0-100%)</b>	Control para el píxel 4
16	000-255	<b>Atenuador maestro (0-100%)</b>	Control para el píxel 4

**C/ TABLAS DMX SÓLO PARA POWERPIXEL8-RGB**

**Modo 6 canales DMX: 2 grupos de 4 proyectores, controlados RGB**

Canal:	Valor:	Función:	Comentarios
1	000-255	<b>Rojo (0-100%)</b>	Control para los píxeles 1 + 2 + 3 + 4
2	000-255	<b>Verde (0-100%)</b>	Control para los píxeles 1 + 2 + 3 + 4
3	000-255	<b>Azul (0-100%)</b>	Control para los píxeles 1 + 2 + 3 + 4
4	000-255	<b>Rojo (0-100%)</b>	Control para los píxeles 5 + 6 + 7 + 8
5	000-255	<b>Verde (0-100%)</b>	Control para los píxeles 5 + 6 + 7 + 8
6	000-255	<b>Azul (0-100%)</b>	Control para los píxeles 5 + 6 + 7 + 8

**Modo 12 canales DMX: 4 grupos de 2 proyectores, controlados RGB**

Canal:	Valor:	Función:	Comentarios
1	000-255	<b>Rojo (0-100%)</b>	Control para los píxeles 1 + 2
2	000-255	<b>Verde (0-100%)</b>	Control para los píxeles 1 + 2
3	000-255	<b>Azul (0-100%)</b>	Control para los píxeles 1 + 2
4	000-255	<b>Rojo (0-100%)</b>	Control para los píxeles 3 + 4
5	000-255	<b>Verde (0-100%)</b>	Control para los píxeles 3 + 4
6	000-255	<b>Azul (0-100%)</b>	Control para los píxeles 3 + 4
7	000-255	<b>Rojo (0-100%)</b>	Control para los píxeles 5 + 6
8	000-255	<b>Verde (0-100%)</b>	Control para los píxeles 5 + 6
9	000-255	<b>Azul (0-100%)</b>	Control para los píxeles 5 + 6
10	000-255	<b>Rojo (0-100%)</b>	Control para los píxeles 7 + 8
11	000-255	<b>Verde (0-100%)</b>	Control para los píxeles 7 + 8
12	000-255	<b>Azul (0-100%)</b>	Control para los píxeles 7 + 8

**Modo de 24 canales DMX: todos los proyectores controlados individualmente RGB**

Canal:	Valor:	Función:	Comentarios
1	000-255	<b>Rojo (0-100%)</b>	Control para el píxel 1
2	000-255	<b>Verde (0-100%)</b>	Control para el píxel 1
3	000-255	<b>Azul (0-100%)</b>	Control para el píxel 1
4	000-255	<b>Rojo (0-100%)</b>	Control para el píxel 2
5	000-255	<b>Verde (0-100%)</b>	Control para el píxel 2
6	000-255	<b>Azul (0-100%)</b>	Control para el píxel 2
7 ... 21	000-255	...	<b>Control para los píxeles 3 a 7</b>
22	000-255	<b>Rojo (0-100%)</b>	Control para el píxel 8
23	000-255	<b>Verde (0-100%)</b>	Control para el píxel 8
24	000-255	<b>Azul (0-100%)</b>	Control para el píxel 8

**Modo de 32 canales DMX: todos los proyectores controlados individualmente RGB+DIM**

Canal:	Valor:	Función:	Comentarios
1	000-255	<b>Rojo (0-100%)</b>	Control para el píxel 1
2	000-255	<b>Verde (0-100%)</b>	Control para el píxel 1
3	000-255	<b>Azul (0-100%)</b>	Control para el píxel 1
4	000-255	<b>Atenuador maestro (0-100%)</b>	Control para el píxel 1
5	000-255	<b>Rojo (0-100%)</b>	Control para el píxel 2
6	000-255	<b>Verde (0-100%)</b>	Control para el píxel 2
7	000-255	<b>Azul (0-100%)</b>	Control para el píxel 2
8	000-255	<b>Atenuador maestro (0-100%)</b>	Control para el píxel 2
9 ... 28	000-255	...	<b>Control para los píxeles 3 a 7</b>
29	000-255	<b>Rojo (0-100%)</b>	Control para el píxel 8
30	000-255	<b>Verde (0-100%)</b>	Control para el píxel 8
31	000-255	<b>Azul (0-100%)</b>	Control para el píxel 8
32	000-255	<b>Atenuador maestro (0-100%)</b>	Control para el píxel 8



## FUNCIONES RDM/INSTALACIÓN REMOTA

RDM significa "Gestión Remota del Dispositivo". Este proyector funciona con un pequeño conjunto de funciones RDM, lo que indica que puede configurar una comunicación bidireccional con un controlador DMX compatible con RDM. Algunas de las funciones se explican brevemente abajo; otras se añadirán en el futuro.

- El controlador DMX envía un "comando de descubrimiento"; todos los dispositivos RDM responden y envían su ID de dispositivo única.
- El controlador DMX solicita a cada dispositivo RDM algunos datos básicos de forma que sabe qué dispositivos están conectados. El proyector POWERPIXEL responderá:
  - **Nombre del dispositivo:** PIXEL4-RGB o PIXEL8-RGB
  - **Fabricante:** Briteq®
  - **Categoría:** Potenciómetro LED
  - **Firmware:** x.x.x.x (versión de firmware del proyector)
  - **Dirección DMX:** xxx (la dirección de inicio DMX actual del proyector)
  - **Impronta DMX:** xx (número de canales DMX usados por el proyector)
  - **Personalidad:** xx (personalidad actual [o modo de funcionamiento DMX] usado por los proyectores)
- El controlador DMX puede enviar ciertos comandos a cada dispositivo RDM que permiten la configuración remota de las unidades. Gracias a esto, el POWERPIXEL puede configurarse de forma remota.

### Las siguiente funciones pueden gestionarse de forma remota:

¡Ya no necesita coger una escalera y fijar todas las unidades una a una!

- **DIRECCIÓN DE INICIO DMX:** Se puede fijar de forma remota la dirección de inicio de 001 a xxx.
- **PERSONALIDAD:** Se puede fijar de forma remota el modo de funcionamiento DMX (cuadro DMX).

Estas 2 funciones posibilitan preparar una conexión completa DMX de todos los proyectores en el controlador DMX y enviar estos datos a todos los proyectores a la vez. Posteriormente se añadirán más funciones.

## MANTENIMIENTO

- Asegúrese de que el área que se encuentra bajo el lugar de instalación esté libre de personas no autorizadas durante el mantenimiento.
- Apague la unidad, desenchufe el cable de alimentación y espere hasta que se enfríe.

### Durante la inspección deben revisarse los puntos siguientes:

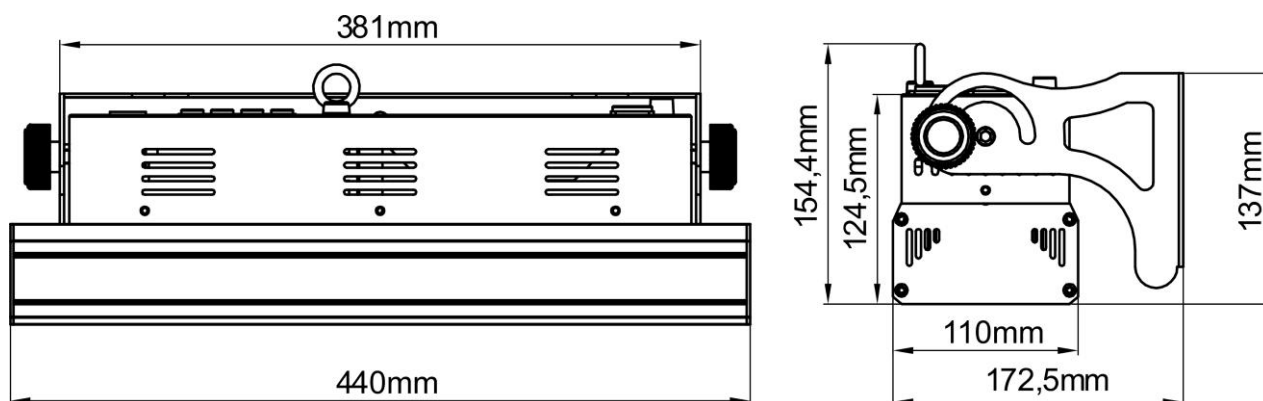
- Todos los tornillos utilizados para la instalación del dispositivo y cualquiera de sus componentes deben estar bien apretados y no pueden estar corroídos.
- Las carcasas, fijaciones y puntos de instalación (techo, estructuras truss, suspensiones) deben estar totalmente libres de cualquier deformación.
- Cuando una lente óptica está visiblemente dañada debido a grietas o arañazos profundos, debe sustituirse.
- Los cables de alimentación deben estar en condiciones impecables y deben sustituirse inmediatamente incluso si se detecta un problema pequeño.
- Para proteger el dispositivo contra el sobrecalentamiento, los ventiladores de enfriamiento (si hay alguno) y las aberturas de ventilación deben limpiarse mensualmente.
- El interior del dispositivo debe limpiarse anualmente utilizando una aspiradora o un chorro de aire.
- La limpieza de las lentes ópticas y/o espejos internos y externos debe efectuarse periódicamente para optimizar la salida de la luz. La frecuencia de limpieza depende del entorno en el que opera el aparato; entornos húmedos, con humo o especialmente sucios pueden provocar una mayor acumulación de suciedad en los componentes ópticos de la unidad.
  - Límpielo con un paño suave utilizando productos normales para la limpieza del vidrio.
  - Siempre seque cuidadosamente las piezas.

**Atención: ¡Recomendamos enfáticamente que la limpieza se lleve a cabo por personal cualificado!**

## ESPECIFICACIONES

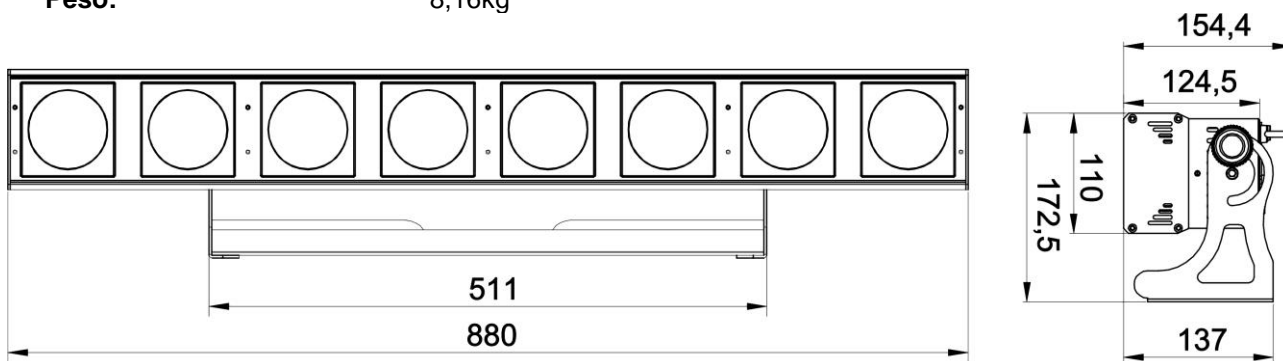
### POWERPIXEL4-RGB

Entrada de alimentación:	CA 110V - 240V, 50/60Hz
Consumo de potencia:	160 vatios máximo.
Fusible:	250V T2A (cristal de 20mm)
Control por Sonido:	Micrófono interno
Conexiones DMX:	XLR 3 pines y 5 pines macho/hembra
Canales DMX utilizados:	3+4+5+6+12+15+16 canales
Lámpara:	4x RGB 30W COB
Tasa de actualización LED:	1200Hz
Ángulo del haz:	60°
Tamaño:	440 x 172,5 x 154,4mm
Peso:	5,20kg



### POWERPIXEL8-RGB

Entrada de alimentación:	CA 110V - 240V, 50/60Hz
Consumo de potencia:	290 vatios máximo.
Fusible:	250V T2A (cristal de 20mm)
Control por Sonido:	Micrófono interno
Conexiones DMX:	XLR 3 pines y 5 pines macho/hembra
Canales DMX utilizados:	3+4+5+6+12+24+27+32 canales
Lámpara:	8x RGB 30W COB
Tasa de actualización LED:	1200Hz
Ángulo del haz:	60°
Tamaño:	880 x 172,5 x 154,4mm
Peso:	8,16kg



La información podría modificarse sin aviso previo  
 Puede descargar la versión más reciente de este manual de usuario en nuestro sitio  
 Web: [www.briteq-lighting.com](http://www.briteq-lighting.com)





[WWW.BRITEQ-LIGHTING.COM](http://WWW.BRITEQ-LIGHTING.COM)

**Copyright © 2013 by BEGLEC NV**

't Hofveld 2C ~ B1702 Groot-Bijgaarden ~ Belgium

Reproduction or publication of the content in any manner, without express permission of the publisher, is prohibited.