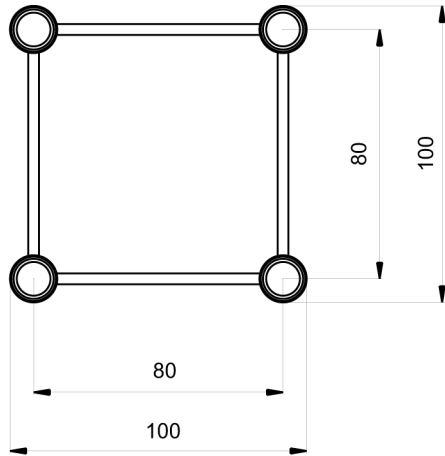
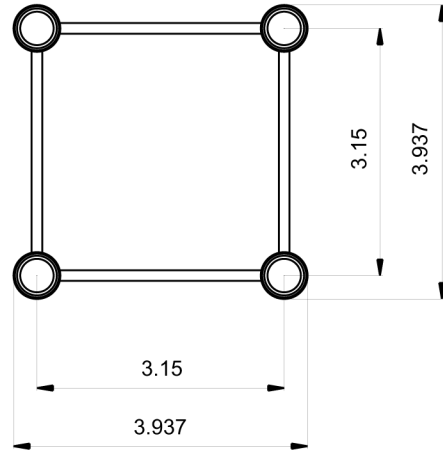


SIZE IN MILLIMETRS



SIZE IN INCHES



SPECIFICATIONS

Tubes 20x2 (0.787 x 0.08 inch)

Braces 6mm (0.236 inch)

Alloy EN-AW 6082 T6 (AlMgSi1 T6)

LOADING TABLES

	2m	4m	6m	8m	10m
Distrib. Load [kg/m]	102.1	26.7	11.9	6.8	4.3
Deflection [mm]	4.1	17.1	38.9	69.4	108.6
Point load [kg]	73.4	43.8	31.2	24.2	19.8
Deflection [mm]	2.4	11.2	27	49.8	79.5

	6.56ft	13.12ft	19.68ft	26.24ft	32.81ft
Distrib. Load [lb/ft]	68.5	17.9	8	4.5	2.9
Deflection [inch]	0.2	0.7	1.5	2.7	4.3
Point load [lb]	161.7	96.5	68.7	53.4	43.7
Deflection [inch]	0.1	0.4	1.1	2	4.3