



LED Followspot 75W

ORDERCODE 30628



Highlite International B.V.
Vestastraat 2
6468 EX Kerkrade
The Netherlands
Phone: +31 45-5667700

SHOWELECTRONICS FOR PROFESSIONALS

Congratulations!

You have bought a great, innovative product from Showtec.

The Showtec LED Followspot 75W brings excitement to any venue. Whether you want simple plug-&-play action or a sophisticated DMX show, this product provides the effect you need.

You can rely on Showtec, for more excellent lighting products.

We design and manufacture professional light equipment for the entertainment industry.

New products are being launched regularly. We work hard to keep you, our customer, satisfied.

For more information: iwant@showtec.info

You can get some of the best quality, best priced products on the market from Showtec.

So next time, turn to Showtec for more great lighting equipment.

Always get the best -- with Showtec !

Thank you!



Showtec LED Followspot 75W™ Product Guide

Warning	2
Safety Instructions	2
Operating Determinations	4
Rigging	4
Return Procedure	5
Claims	5
Description of the device	6
Overview	6
Complete Followspot Setup	7
Backside Followspot 75W	8
Installation	8
Set Up and Operation	8
Control Modes	8
One LED Followspot (Manual Mode)	8
Multiple LED Followspots (DMX Control)	9
Fixture Linking	10
Data Cabling	10
Control Panel	11
Control Mode	11
DMX Addressing	11
Menu Overview	11
DMX Channels	12
3 Channels	12
Maintenance	12
Replacing a Fuse	13
Troubleshooting	13
No Light	13
No Response to DMX	13
Product Specification	15

Warning

**FOR YOUR OWN SAFETY, PLEASE READ THIS USER MANUAL CAREFULLY
BEFORE YOUR INITIAL START-UP!**

Unpacking Instructions

Immediately upon receiving this product, carefully unpack the carton and check the contents to ensure that all parts are present, and have been received in good condition. Notify the dealer immediately and retain packing material for inspection if any parts appear damaged from shipping or the carton itself shows signs of mishandling. Save the carton and all packing materials. In the event that a fixture must be returned to the factory, it is important that the fixture be returned in the original factory box and packing.

Your shipment includes:

- LED Followspot 75W
- IEC power cable 2m
- User manual



LED Expected Lifespan

LEDs gradually decline in brightness over time. HEAT is the dominant factor that leads to the acceleration of this decline. Packaged in clusters, LEDs exhibit higher operating temperatures than in ideal or singular optimum conditions. For this reason when all color LEDs are used at their fullest intensity, life of the LEDs is significantly reduced. It is estimated that a viable lifespan of 40,000 to 50,000 hours will be achieved under normal operational conditions. If improving on this lifespan expectancy is of a higher priority, place care in providing for lower operational temperatures. This may include climatic-environmental and the reduction of overall projection intensity.



CAUTION!

**Keep this device away from rain and moisture!
Unplug mains lead before opening the housing!**



Safety Instructions

Every person involved with the installation, operation and maintenance of this device has to:

- be qualified
- follow the instructions of this manual



**CAUTION! Be careful with your operations.
With a dangerous voltage you can suffer
a dangerous electric shock when touching the wires!**



Before your initial start-up,, please make sure that there is no damage caused by transportation. Should there be any, consult your dealer and do not use the device.

To maintain perfect condition and to ensure a safe operation, it is absolutely necessary for the user to follow the safety instructions and warning notes written in this manual.

Please consider that damages caused by manual modifications to the device are not subject to warranty.

This device contains no user-serviceable parts. Refer servicing to qualified technicians only.

IMPORTANT:

The manufacturer will not accept liability for any resulting damages caused by the non-observance of this manual or any unauthorized modification to the device.

- Never let the power-cord come into contact with other cables! Handle the power-cord and all connections with the mains with particular caution!
- Never remove warning or informative labels from the unit.
- Never use anything to cover the ground contact.
- Never run the device without lamp!
- Never ignite the lamp if the objective-lens or any housing-cover is open, as discharge lamps may expose and emit a high ultraviolet radiation, which may cause burns.
- Never lift the fixture by holding it at the projector-head, as the mechanics may be damaged. Always hold the fixture at the transport handles.
- Never use the device during thunderstorms, unplug the device immediately.
- Never look directly into the light source.
- Never leave any cables lying around.
- Do not open the device and do not modify the device.
- Do not insert objects into air vents.
- Do not connect this device to a dimmerpack.
- Do not switch the device on and off in short intervals, as this would reduce the lamp's life.
- Do not touch the device's housing bare-handed during its operation (housing becomes hot).
- Do not shake the device. Avoid brute force when installing or operating the device.
- Only use device indoor, avoid contact with water or other liquids.
- Only operate the fixture after having checked that the housing is firmly closed and all screws are tightly fastened.
- Only operate the device after having familiarized with its functions.
- Avoid flames and do not put close to flammable liquids or gases.
- Always keep case closed while operating.
- Always allow free air space of at least 50 cm around the unit for ventilation.
- Always disconnect power from the mains, when device is not used, before cleaning! Only handle the power-cord by the plug. Never pull out the plug by tugging the power-cord.
- Make sure that the device is not exposed to extreme heat, moisture or dust.
- Make sure that the available voltage is not higher than stated on the rear panel.
- Make sure that the power-cord is never crimped or damaged. Check the device and the power-cord from time to time.
- Make sure that no side forces can impact on the truss system.
- The cable insert or the female part in the device must never be strained. There must always be sufficient cable to the device. Otherwise, the cable may be damaged which may lead to deadly electrical shocks.
- If the lens is obviously damaged, it has to be replaced. So that its functions are not impaired, due to cracks or deep scratches.
- If device is dropped or struck, disconnect mains power supply immediately. Have a qualified engineer inspect for safety before operating.
- If the device has been exposed to drastic temperature fluctuation (e.g. after transportation), do not switch it on immediately. The arising condensation water might damage your device. Leave the device switched off until it has reached room temperature.
- If your Showtec device fails to work properly, discontinue use immediately. Pack the unit securely (preferably in the original packing material), and return it to your Showtec dealer for service.
- For adult use only. Light effect must be installed out of the reach of children. Never leave the unit running unattended.
- For replacement use fuses of same type and rating only.
- This device can be installed on a flat surface or onto truss systems via the mounting bracket.
- The user is responsible for correct positioning and operating of the LED Followspot 75W . The manufacturer will not accept liability for damages caused by the misuse or incorrect installation of this device.
- During the initial start-up some smoke or smell may arise. This is a normal process and does not necessarily mean that the device is defective.
- Repairs, servicing and electric connection must be carried out by a qualified technician.
- WARRANTY: Till one year after date of purchase.



CAUTION ! EYEDAMAGES !
Avoid looking directly into the light source.
(meant especially for epileptics) !



Operating Determinations

- This device is not designed for permanent operation. Consistent operation breaks will ensure that the device will serve you for a long time without defects.
- The minimum distance between light-output and the illuminated surface must be more than 1 meter.
- The maximum ambient temperature $t_a = 45^\circ\text{C}$ must never be exceeded.
- The relative humidity must not exceed 50 % with an ambient temperature of 45°C .
- If this device is operated in any other way, than the one described in this manual, the product may suffer damages and the warranty becomes void.
- Any other operation may lead to dangers like short-circuit, burns, electric shock, crash, etc.

You endanger your own safety and the safety of others!

Rigging

Please follow the European and national guidelines concerning rigging, trussing and all other safety issues.

Do not attempt the installation yourself !

Always let the installation be carried out by an authorized dealer !

Procedure:


- If the LED Followspot 75W is lowered from the ceiling or high joists, professional trussing systems have to be used.
- Use a clamp to mount the LED Followspot 75W, with the mounting-bracket, to the trussing system.
- The LED Followspot 75W must never be fixed swinging freely in the room.
- The installation must always be secured with a safety attachment, e.g. an appropriate safety net or safety-cable.
- When rigging, derigging or servicing the LED Followspot 75W, always make sure, that the area below the installation place is blocked and staying in the area is forbidden.

Improper installation can cause serious damage to people and property !

Connection with the mains

Connect the device to the mains with the power-plug.

Always pay attention, that the right color cable is connected to the right place.

International	EU Cable	UK Cable	US Cable	Pin
L	BROWN	RED	YELLOW/COPPER	FASE
N	BLUE	BLACK	SILVER	NUL
	YELLOW/GREEN	GREEN	GREEN	EARTH

Make sure that the device is always connected properly to the earth!



Return Procedure

Returned merchandise must be sent prepaid and in the original packing, call tags will not be issued. Package must be clearly labeled with a Return Authorization Number (RMA number). Products returned without an RMA number will be refused. Highlite will not accept the returned goods or any responsibility. Call Highlite 0031-455667723 or mail aftersales@highlite.nl and request an RMA prior to shipping the fixture. Be prepared to provide the model number, serial number and a brief description of the cause for the return. Be sure to properly pack fixture, any shipping damage resulting from inadequate packaging is the customer's responsibility. Highlite reserves the right to use its own discretion to repair or replace product(s). As a suggestion, proper UPS packing or double-boxing is always a safe method to use.

Note: If you are given an RMA number, please include the following information on a piece of paper inside the box:

- 1) Your name
- 2) Your address
- 3) Your phone number
- 4) A brief description of the symptoms

Claims

The client has the obligation to check the delivered goods immediately upon delivery for any shortcomings and/or visible defects, or perform this check after our announcement that the goods are at their disposal. Damage incurred in shipping is the responsibility of the shipper; therefore the damage must be reported to the carrier upon receipt of merchandise.

It is the customer's responsibility to notify and submit claims with the shipper in the event that a fixture is damaged due to shipping. Transportation damage has to be reported to us within one day after receipt of the delivery.

Any return shipment has to be made post-paid at all times. Return shipments must be accompanied with a letter defining the reason for return shipment. Non-prepaid return shipments will be refused, unless otherwise agreed in writing.

Complaints against us must be made known in writing or by fax within 10 working days after receipt of the invoice. After this period complaints will not be handled anymore.

Complaints will only then be considered if the client has so far complied with all parts of the agreement, regardless of the agreement of which the obligation is resulting.

Description of the device

Features

The Showtec LED Followspot 75W is a theatrelight from Showtec with RGB-Colormixing.

- High light output and never change lamps again!
- Stylish design
- Convection cooling which eliminates the use of fans and noise
- Peak Power : 363W; Continuous Power 206W
- DMX and Manual control
- Dimmer: 0-100%
- Strobe: 0-20Hz
- Refreshrate: >400 Hz, excellent for TV studio use
- LED Followspot with zoom and iris
- Focus from 16 - 22° degrees
- 75W Cool White LED with a strobe function
- Manually controlled or by DMX (3 Channels)
- Lumen: 1600+
- Lux@1m: 25000+
- Efficiency: 21 lm/W
- LED Quantity: 1x CW (75W)
- Driver current: 19A
- Iris: 2-100% manual
- Beam Angle: 16° - 22°
- On Board: Display for easy Set Up
- Options: DMX512, Manual
- 3 DMX Channels
- Input Voltage: 100~240VAC...50/60Hz
- Power consumption: 121W max @FO
- IP Rating: IP-20
- Housing: Die cast Aluminium, powder coat finish
- Connections: IEC + XLR 3-pin IN and OUT
- Cooling: Forced Cooling (Fan)
- Weight LED Followspot 75W: 6,0 kg
- Weight Stand: 3,30 kg
- Stand inclusive!

NOTE: Knowledge of DMX is required to fully utilize this unit

Overview

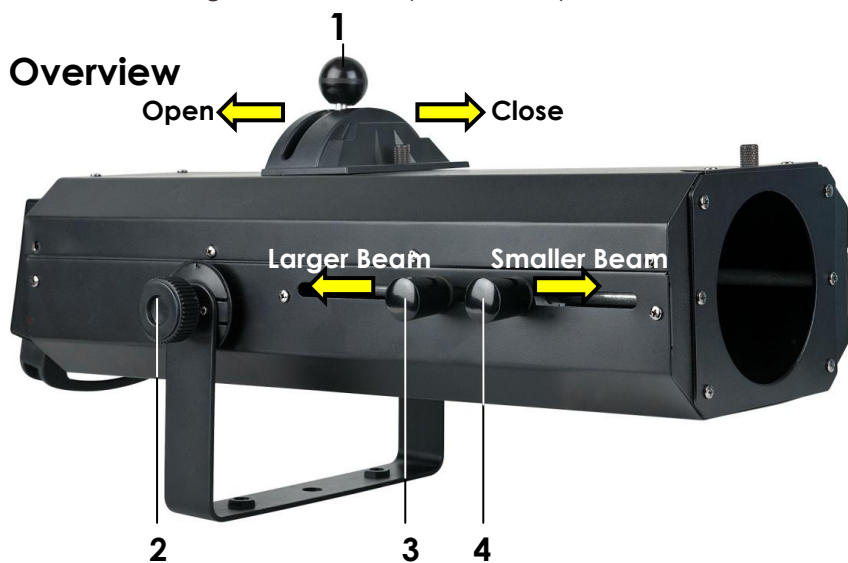


Fig. 1

- 1) Open / Close
- 2) Fixation screw + Mounting Bracket
- 3) Larger Beam
- 4) Smaller Beam

Complete Followspot Setup



- 5) DMX signal connector (IN)
- 6) DMX signal connector (OUT)
- 7) Stand Pole, total setup height 1110-1440 mm)
- 8) Torx bolts for mounting the followspot to the stand
- 9) Mounting Plate

Fig. 2

Backside Followspot 75W

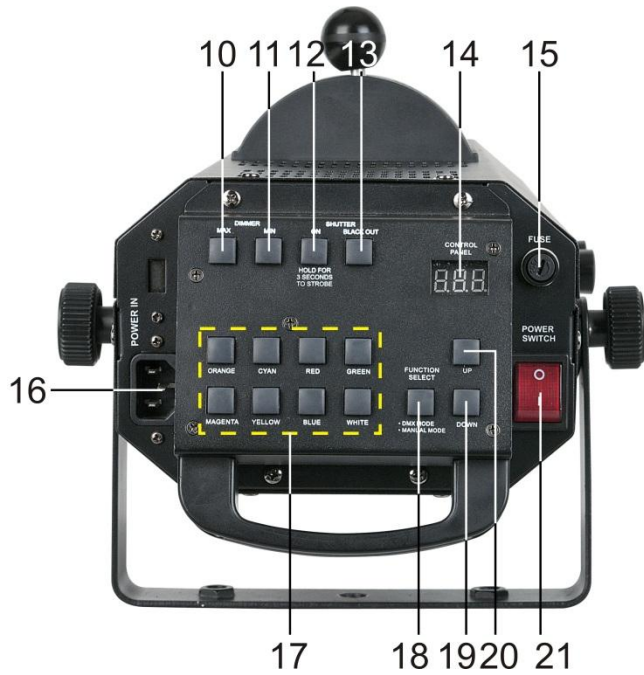


Fig. 3

- 10) Dimmer Max
- 11) Dimmer Min
- 12) Shutter ON / Strobe when you hold this button for 3 seconds
- 13) Blackout
- 14) LCD Display
- 15) Fuse 2A/ 250V
- 16) IEC Powerconnector
- 17) Colors: Orange, Cyan, Red, Green, Magenta, Yellow, Blue, White
- 18) Function selection: Manual Mode or DMX Mode
- 19) Up button
- 20) Down button
- 21) ON/OFF

Installation

Remove all packing materials from the LED Followspot 75W. Check that all foam and plastic padding is removed. Connect all cables.

Do not supply power before the whole system is set up and connected properly.

Always disconnect from electric mains power supply before cleaning or servicing.

Damages caused by non-observance are not subject to warranty.

Set Up and Operation

Follow the directions below, as they pertain to your preferred operation mode.

Before plugging the unit in, always make sure that the power supply matches the product specification voltage.

Damages caused by non-observance are not subject to warranty.

Control Modes

There are 2 modes:

- Manual Mode
- DMX512

One LED Followspot (Manual Mode)

1. Fasten the effect light onto the stand. Leave at least 0,5 meter on all sides for air circulation.
2. Plug the end of the electric mains power cord into a proper electric power supply socket.
3. When the LED Followspot is not connected by a DMX-cable, it functions as a stand-alone device. Now you can use all buttons and faders, for more information about the Manual Mode.

Multiple LED Followspots (DMX Control)

1. Fasten the effect light onto the stand. Leave at least 0,5 meter on all sides for air circulation.
2. Plug the end of the electric mains power cord into a proper electric power supply socket.
3. Use a 3-p XLR cable to connect the LED Followspot and other devices.

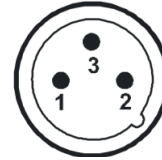
Occupation of the XLR-connection:

DMX-OUTPUT XLR mounting-socket:



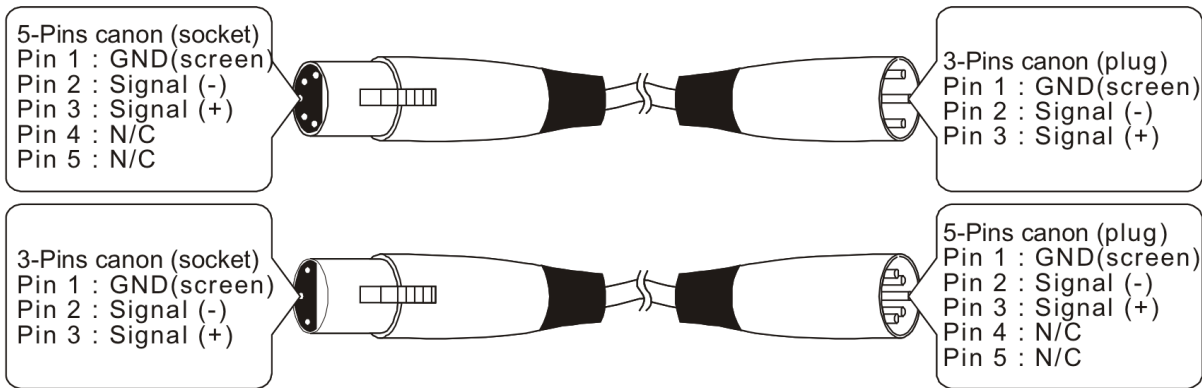
- 1 - Ground
- 2 - Signal (-)
- 3 - Signal (+)

DMX-input XLR mounting-plug



- 1 - Ground
- 2 - Signal (-)
- 3 - Signal (+)

The transformation of the controller line of 3 pins and 5 pins (plug and socket)



4. Link the units as shown in (figure 3), Connect a DMX signal cable from the first unit's DMX "out" socket to the second unit's "in" socket. Repeat this process to link the second, third, and fourth units.
5. Supply electric power: Plug electric mains power cords into each unit's IEC socket, then plug the other end of the mains power cord into proper electric power supply sockets, starting with the first unit. Do not supply power before the whole system is set up and connected properly.

Multiple LED Followspots DMX Set Up

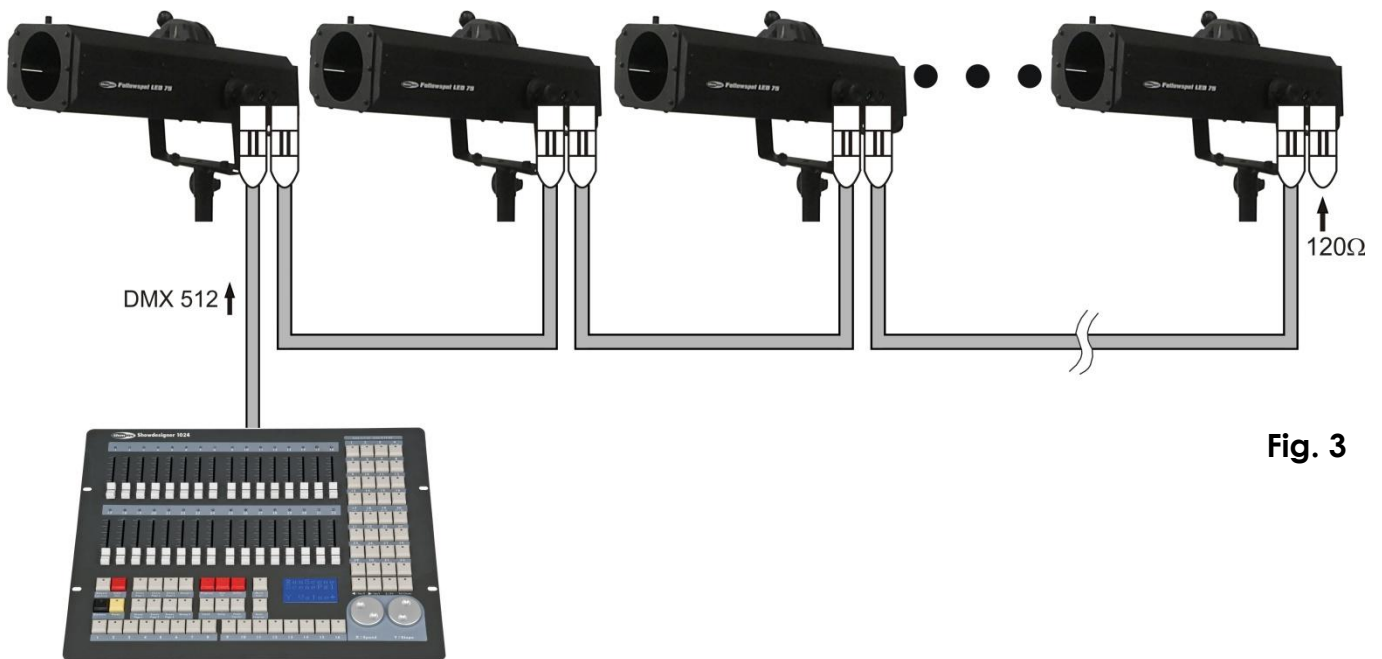


Fig. 3

Note : Link all cables before connecting electric power

Fixture Linking

You will need a serial data link to run light shows of one or more fixtures using a DMX-512 controller or to run synchronized shows on two or more fixtures set to a master/slave operating mode. The combined number of channels required by all the fixtures on a serial data link determines the number of fixtures the data link can support.

Important: Fixtures on a serial data link must be daisy chained in one single line. To comply with the EIA-485 standard no more than 30 devices should be connected on one data link. Connecting more than 30 fixtures on one serial data link without the use of a DMX optically isolated splitter may result in deterioration of the digital DMX signal.



Maximum recommended DMX data link distance: 100 meters
Maximum recommended number of LED Followspots on a DMX data link: 30 fixtures

Data Cabling

To link fixtures together you must obtain data cables. You can purchase DAP Audio certified DMX cables directly from a dealer/distributor or construct your own cable. If you choose to create your own cable please use data-grade cables that can carry a high quality signal and are less prone to electromagnetic interference.

DAP Audio Certified DMX Data Cables

- DAP Audio cable for allround use. bal. XLR/M 3 p. > XLR/F 3 p.
Ordercode FL01150 (1,5m.), FL013 (3m.), FL016 (6m.), FL0110 (10m.), FL0115 (15m.), FL0120 (20m.).
- DAP Audio cable for the demanding user with exceptional audio-qualities and connector made by Neutrik®. **Ordercode** FL71150 (1,5m.), FL713 (3m.), FL716 (6m.), FL7110 (10m.).

The LED Followspot 75W can be operated with a controller in **DMX control mode** or without the controller in **stand-alone MANUAL mode**.

Control Panel

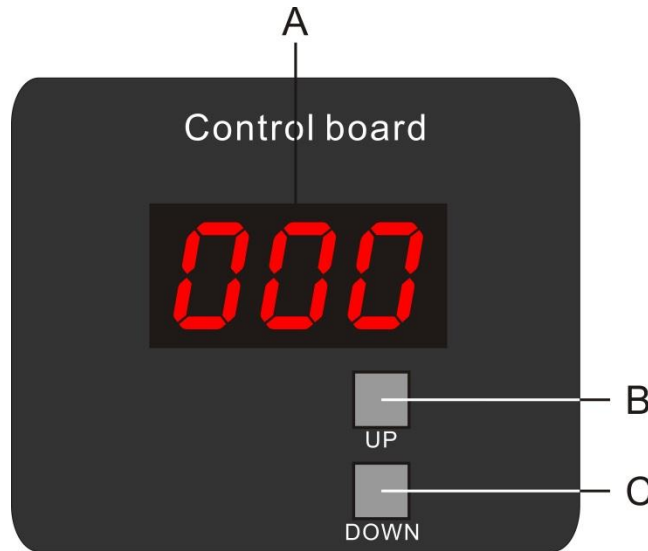


Fig. 5

- A. LCD Display
- B. Up Button
- C. Down Button

Control Mode

The fixtures are individually addressed on a data-link and connected to the controller. The fixtures respond to the DMX signal from the controller.

DMX Addressing

The control panel allows you to assign the DMX fixture address, which is the first channel from which the LED Followspot will respond to the controller. Please note when you use the controller, the unit has **3** channels. When using multiple LED Followspots, make sure you set the DMX addresses right. Therefore, the DMX address of the first LED Followspots should be **1(001)**; the DMX address of the second LED Followspot should be **1+3=4 (004)**; the DMX address of the third LED Followspot should be **4+3=7 (007)**, etc. Please, be sure that you don't have any overlapping channels in order to control each LED Followspot correctly. If two or more LED Followspots are addressed similarly, they will work similarly. For address settings, please refer to the instructions under "Addressing".

Controlling:

After having addressed all LED Followspot fixtures, you may now start operating these via your lighting controller.

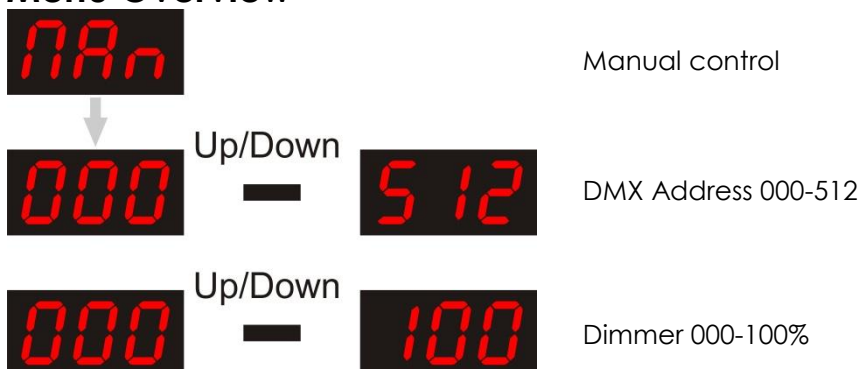
Note: After switching on, the LED Followspot will automatically detect whether DMX 512 data is received or not.

The problem may be:

- The XLR cable from the controller is not connected with the input of the LED Followspot.
- The controller is switched off or defective, the cable or connector is defective, or the signal wires are swapped in the input connector.

Note: It's necessary to insert a XLR termination plug (with 120 Ohm) in the last fixture in order to ensure proper transmission on the DMX data link.

Menu Overview



DMX Channels

3 Channels

30628 LED Followspot 75W			
Channel	1	2	3
Function	Dimmer	Color	Shutter
255	255	224-255 Orange	255 Open
		192-223 Light Blue	216 Fast
		160-191 Red	215 Fast
		128-159 Green	Fast
128		96-127 Pink	Fast
		64-95 Yellow	8 Slow
		32-63 Dark Blue	7 Open
0	0	0-31 Open	4
			3
			0 Close

Maintenance

The Showtec LED Followspot 75 requires almost no maintenance. However, you should keep the unit clean. Otherwise, the fixture's light-output will be significantly reduced. Disconnect the mains power supply and then wipe the cover with a damp cloth. Wipe the front glass panel clean with glass cleaner and a soft cloth. Do not use alcohol or solvents. The front glass panel will require weekly cleaning, as smoke-fluid tends to build up residues, reducing the light-output very quickly. Do not immerse in liquid. The cooling-fans, colour-wheel, the gobowheel, the gobos and the internal lenses should be cleaned monthly with a soft brush. Please clean internal components once a year with a light brush and vacuum cleaner. Keep connections clean. Disconnect electric power, and then wipe the DMX and audio connections with a damp cloth. Make sure connections are thoroughly dry before linking equipment or supplying electric power.

The operator has to make sure that safety-relating and machine-technical installations are to be inspected by an expert after every year in the course of an acceptance test.

The operator has to make sure that safety-relating and machine-technical installations are to be inspected by a skilled person once a year.

The following points have to be considered during the inspection:

1. All screws used for installing the device or parts of the device have to be tightly connected and must not be corroded.
2. There may not be any deformations on housings, fixations and installation spots.
3. Mechanically moving parts like axles, eyes and others may not show any traces of wearing.
4. The electric power supply cables must not show any damages or material fatigue.

Replacing a Fuse

Power surges, short-circuit or inappropriate electrical power supply may cause a fuse to burn out. If the fuse burns out, the product will not function whatsoever. If this happens, follow the directions below to do so.

1. Unplug the unit from electric power source.
2. Insert a screwdriver into the slot in the fuse cover. Turn the screwdriver to the left, at the same time gently push a bit (Turn and Push). The fuse will come out.
3. Remove the used fuse. If brown or unclear, it is burned out.
4. Insert the replacement fuse into the holder where the old fuse was. Reinsert the fuse cover. Be sure to use a fuse of the same type and specification. See the product specification label for details

Troubleshooting

No Light

This troubleshooting guide is meant to help solve simple problems.

If a problem occurs, carry out the steps below in sequence until a solution is found. Once the unit operates properly, do not carry out following steps.

If the light effect does not operate properly, refer servicing to a technician.

Response: Suspect four potential problem areas as: factory reset, the power supply, the LED, the fuse.

1. Power supply. Check that the unit is plugged into an appropriate power supply.
2. The LEDs. Return the LED Followspot 75W to your Showtec dealer.
3. The fuse. Replace the fuse. See page 13 for replacing the fuse.
4. If all of the above appears to be O.K., plug the unit in again.
5. If you are unable to determine the cause of the problem, do not open the LED Followspot 75W, as this may damage the unit and the warranty will become void.
6. Return the device to your Showtec dealer.

No Response to DMX

Response: Suspect the DMX cable or connectors, a controller malfunction, a light effect DMX card malfunction.

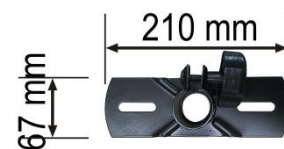
1. Check the DMX setting. Make sure that DMX addresses are correct.
2. Check the DMX cable: Unplug the unit; change the DMX cable; then reconnect to electrical power. Try your DMX control again.
3. Determine whether the controller or light effect is at fault. Does the controller operate properly with other DMX products ? If not, take the controller in for repair. If so, take the DMX cable and the light effect to a qualified technician.

See next page for more problem solving.

Problem	Probable cause(s)	Remedy
One or more fixtures are completely dead.	No power to the fixture	<ul style="list-style-type: none"> • Check that power is switched on and cables are plugged in.
	Primary fuse blown.	<ul style="list-style-type: none"> • Replace fuse.
Fixtures reset correctly, but all respond erratically or not at all to the controller.	The controller is not connected.	<ul style="list-style-type: none"> • Connect controller.
	3-pin XLR Out of the controller does not match XLR Out of the first fixture on the link (i.e. signal is reversed).	<ul style="list-style-type: none"> • Install a phase reversing cable between the controller and the first fixture on the link.
Fixtures reset correctly, but some respond erratically or not at all to the controller.	Poor data quality	<ul style="list-style-type: none"> • Check data quality. If much lower than 100 percent, the problem may be a bad data link connection, poor quality or broken cables, missing termination plug, or a defective fixture disturbing the link.
	Bad data link connection	<ul style="list-style-type: none"> • Inspect connections and cables. Correct poor connections. Repair or replace damaged cables.
	Data link not terminated with 120 Ohm termination plug.	<ul style="list-style-type: none"> • Insert termination plug in output jack of the last fixture on the link.
	Incorrect addressing of the fixtures.	<ul style="list-style-type: none"> • Check address setting.
	One of the fixtures is defective and disturbs data transmission on the link.	<ul style="list-style-type: none"> • Bypass one fixture at a time until normal operation is regained: unplug both connectors and connect them directly together. • Have the defective fixture serviced by a qualified technician.
	3-pin XLR Out on the fixtures does not match (pins 2 and 3 reversed).	<ul style="list-style-type: none"> • Install a phase-reversing cable between the fixtures or swap pin 2 and 3 in the fixture, that behaves erratically.
Shutter closes suddenly	The color wheel has lost its index position and the fixture is resetting the effect.	<ul style="list-style-type: none"> • Contact a technician for servicing the problem persists.
No light or lamp cuts out intermittently	Fixture is too hot.	<ul style="list-style-type: none"> • Allow fixture to cool. • Clean fan. • Make sure air vents at control panel and front lens are not blocked. • Turn up the air conditioning .
	LEDs damaged	<ul style="list-style-type: none"> • Disconnect fixture and return to your dealer.
	The power supply settings do not match local AC voltage and frequency.	<ul style="list-style-type: none"> • Disconnect fixture. Check settings and correct if necessary.

Product Specification

- Model: Showtec LED Followspot
- High light output and never change lamps again!
- Stylish design
- Convection cooling which eliminates the use of fans and noise
- Peak Power : 363W; Continuous Power 206W
- DMX and Manual control
- Dimmer: 0-100%
- Strobe: 0-20Hz
- Refreshrate: >400 Hz, excellent for TV studio use
- LED Followspot with zoom and iris
- Focus from 16 - 22° degrees
- 75W Cool White LED with a strobe function
- Manually controlled or by DMX (3 Channels)
- Lumen: 1600+
- Lux@1m: 25000+
- Efficiency: 21 lm/W
- LED Quantity: 1x CW (75W)
- Driver current: 19A
- Iris: 2-100% manual
- Beam Angle: 16° - 22°
- On Board: Display for easy Set Up
- Options: DMX512, Manual
- 3 DMX Channels
- Input Voltage: 100~240VAC...50/60Hz
- Power consumption: 121W max @FO
- IP Rating: IP-20
- Housing: Die cast Aluminium, powder coat finish
- Connections: IEC + XLR 3-pin IN and OUT
- Cooling: Forced Cooling (Fan)
- Weight LED Followspot 75W: 6,0 kg
- Weight Stand: 3,30 kg
- Stand inclusive!



*: Versions for other lamps may be produced. Please check the specification label on your product.

Design and product specifications are subject to change without prior notice.



Website: www.Showtec.info

Email: service@highlite.nl



© 2013 Showtec.