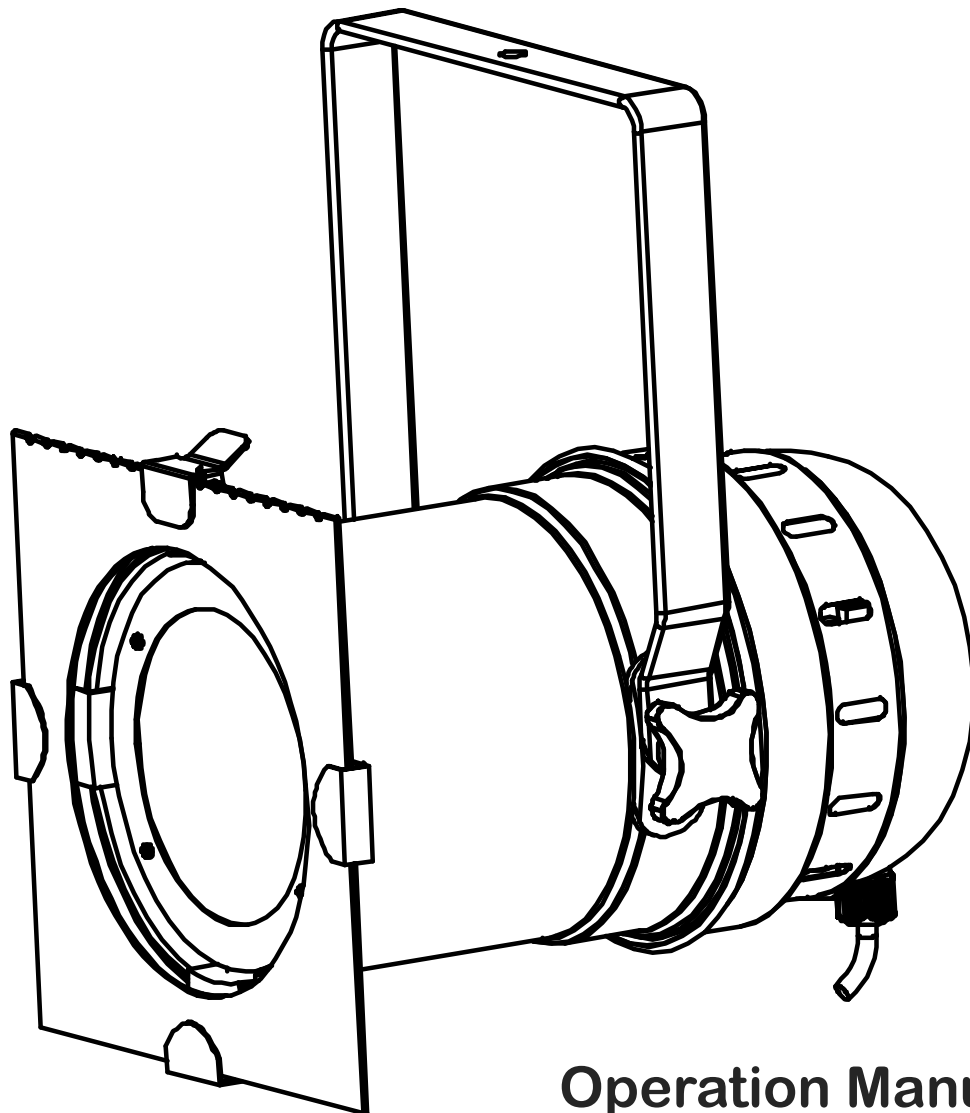


COB PAR56-RGB



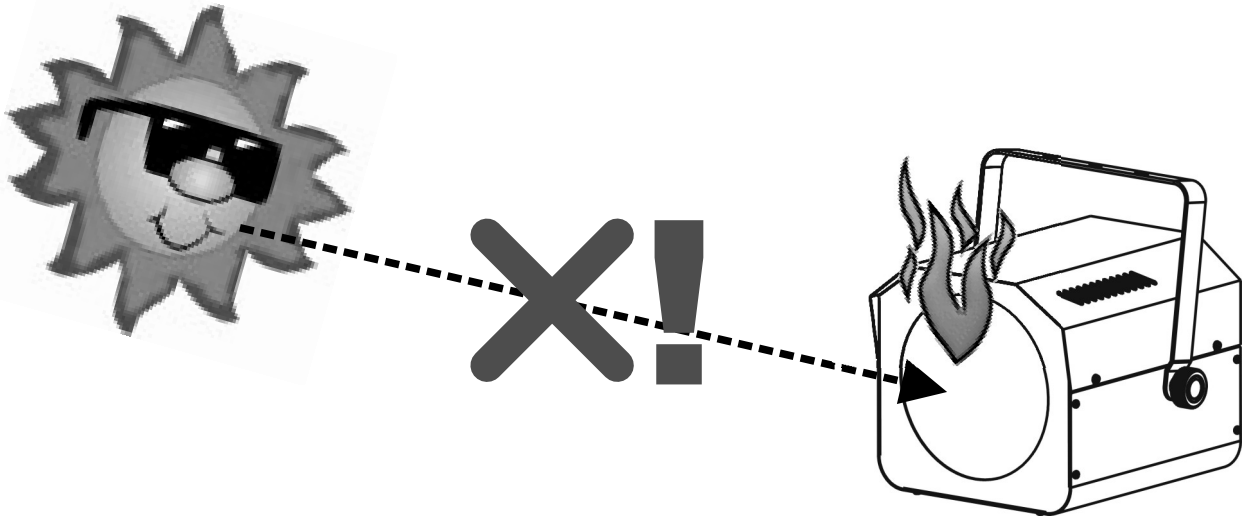
Operation Manual EN
Mode d'emploi FR
Gebruiksaanwijzing NL
Bedienungsanleitung DE
Manual de instrucciones ES



Version: 1.0



DANGER ~ GEVAAR ~ GEFAHR ~ PELIGRO ~ PERIGO



WARNING: DANGER! never expose the lens to direct sunlight, even for a short period. This may damage the light effect or even cause fire!

ATTENTION: DANGER! n'exposez jamais la lentille directement aux rayons de soleil, même pendant un bref instant. Ceci peut endommager l'intérieur de l'appareil ou même causer un incendie !

OPGELET : GEVAAR ! stel de lens nooit bloot aan direct zonlicht, zelfs gedurende een korte periode. Dit kan het toestel beschadigen en zelfs brand veroorzaken!

WARNUNG: GEFAHR! Setzen sie die Linse niemals direkter Sonneneinstrahlung aus, auch nicht für eine kurze Zeit ! Die direkte Sonneneinstrahlung kann das Gerät zerstören oder zum brennen bringen!

ADVERTENCIA: ¡PELIGRO! ¡nunca exponga la lente a la luz solar directa, aún durante un período corto! ¡Esto puede dañar el efecto de luz o incluso causar el fuego!

AVISO: PERIGO! Nunca exponha as lentes directamente à luz solar, mesmo que por pouco tempo! Isto pode danificar o efeito luminoso ou mesmo provocar um incêndio!

EN - DISPOSAL OF THE DEVICE

Dispose of the unit and used batteries in an environment friendly manner according to your country regulations.

FR - DÉCLASSER L'APPAREIL

Débarrassez-vous de l'appareil et des piles usagées de manière écologique, conformément aux dispositions légales de votre pays.

NL - VERWIJDEREN VAN HET APPARAAT

Verwijder het toestel en de gebruikte batterijen op een milieuvriendelijke manier conform de in uw land geldende voorschriften.

DU - ENTSORGUNG DES GERÄTS

Entsorgen Sie das Gerät und die Batterien auf umweltfreundliche Art und Weise gemäß den Vorschriften Ihres Landes.

ES - DESHACERSE DEL APARATO

Reciclar el aparato y pilas usadas de forma ecologica conforme a las disposiciones legales de su pais.

PT - COMO DESFAZER-SE DA UNIDADE

Tente reciclar a unidade e as pilhas usadas respeitando o ambiente e em conformidade com as normas vigentes no seu país.



OPERATION MANUAL

Thank you for buying this BRITEQ® product. To take full advantage of all possibilities and for your own safety, please read these operating instructions very carefully before you start using this unit.

FEATURES

This unit is radio-interference suppressed. This product meets the requirements of the current European and national guidelines. Conformity has been established and the relevant statements and documents have been deposited by the manufacturer.

- This device was designed to produce decorative effect lighting and is used in light show systems.
- High Power LED PARCAN, perfect for rental companies, discotheques, pro DJs, etc.
- Uses a powerful 100W RGB COB LED in a classic PAR armature
- Absolutely perfect color mixing and a very wide beam of 50°
- The filter frame with the special lens can be used to create a narrower and more powerful beam.
- Works standalone and master/slave:
 - Compose your static fixed color
 - Automatic smooth color fades with manual speed control
 - Automatic color changer with manual speed control
 - Sound controlled color changer with manual sensitivity control for the build-in microphone
- DMX controllable: 3 different modes are available:
 - 3 Ch DMX mode: R, G, B
 - 4 Ch DMX mode: R, G, B + Dimmer/sound chase/strobe
 - 5 Ch DMX mode: R, G, B, Master dimmer, strobe

BEFORE USE

- Before you start using this unit, please check if there's no transportation damage. Should there be any, do not use the device and consult your dealer first.
- **Important:** This device left our factory in perfect condition and well packaged. It is absolutely necessary for the user to strictly follow the safety instructions and warnings in this user manual. Any damage caused by mishandling is not subject to warranty. The dealer will not accept responsibility for any resulting defects or problems caused by disregarding this user manual.
- Keep this booklet in a safe place for future consultation. If you sell the fixture, be sure to add this user manual.

Check the contents:

Check that the packing contains the following items:

- Operating instructions
- COB PAR56-RGB
- Filter frame with lens (narrow beam)

SAFETY INSTRUCTIONS:



CAUTION
RISK OF ELECTRIC SHOCK
DO NOT OPEN



CAUTION: To reduce the risk of electric shock, do not remove the top cover. No user-serviceable parts inside. Refer servicing to qualified service personnel only.



The lightning flash with arrowhead symbol within the equilateral triangle is intended to alert the user or the presence of un-insulated "dangerous voltage" within the product's enclosure that may be of sufficient magnitude to constitute a risk of electric shock.



The exclamation point within the equilateral triangle is intended to alert the user to the presence of important operation and maintenance (servicing) instructions in the literature accompanying this appliance.



This symbol means: indoor use only



This symbol means: Read instructions



This symbol means: Safety Class I appliance



This symbol determines: the minimum distance from lighted objects. The minimum distance between light-output and the illuminated surface must be more than x meters



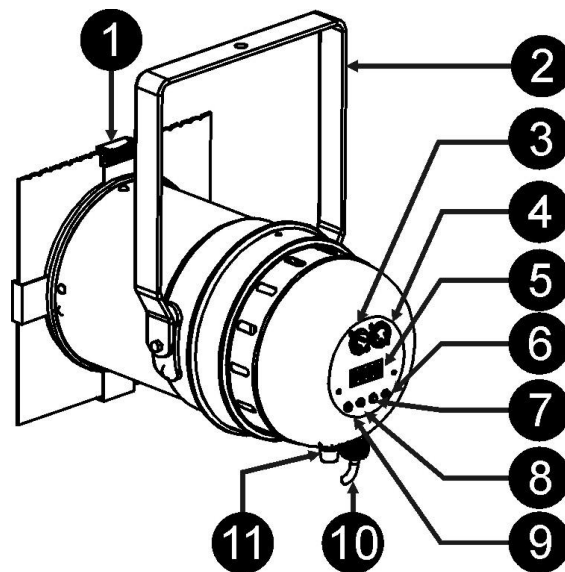
The device is not suitable for direct mounting on normally flammable surfaces. (suitable only for mounting on non-combustible surfaces)



CAUTION: Do not stare at operating lamp.
May be harmful to the eyes.

- To protect the environment, please try to recycle the packing material as much as possible.
- To prevent fire or shock hazard, do not expose this appliance to rain or moisture.
- To avoid condensation to be formed inside, allow the unit to adapt to the surrounding temperatures when bringing it into a warm room after transport. Condense sometimes prevents the unit from working at full performance or may even cause damages.
- This unit is for indoor use only.
- Don't place metal objects or spill liquid inside the unit. Electric shock or malfunction may result. If a foreign object enters the unit, immediately disconnect the mains power.
- Locate the fixture in a well ventilated spot, away from any flammable materials and/or liquids. The fixture must be fixed at least 50cm from surrounding walls.
- Don't cover any ventilation openings as this may result in overheating.
- Prevent use in dusty environments and clean the unit regularly.
- Keep the unit away from children.
- Inexperienced persons should not operate this device.
- Maximum safe ambient temperature is 40°C. Don't use this unit at higher ambient temperatures.
- Make sure the area below the installation place is free from unwanted persons during rigging, de-rigging and servicing.
- Allow the device about 10 minutes to cool down before to start servicing.
- Always unplug the unit when it is not used for a longer time or before to start servicing.
- The electrical installation should be carried out by qualified personal only, according to the regulations for electrical and mechanical safety in your country.
- Check that the available voltage is not higher than the one stated on the unit.
- The power cord should always be in perfect condition. Switch the unit immediately off when the power cord is squashed or damaged. It must be replaced by the manufacturer, its service agent or similarly qualified persons in order to avoid a hazard.
- Never let the power-cord come into contact with other cables!
- This fixture must be earthed in order to comply with safety regulations.
- Don't connect the unit to any dimmer pack.
- Always use an appropriate and certified safety cable when installing the unit.
- In order to prevent electric shock, do not open the cover. There are no user serviceable parts inside.
- **Never** repair a fuse or bypass the fuse holder. **Always** replace a damaged fuse with a fuse of the same type and electrical specifications!
- In the event of serious operating problems, stop using the fixture and contact your dealer immediately.
- The housing and the lenses must be replaced if they are visibly damaged.
- Please use the original packing when the device is to be transported.
- Due to safety reasons it is prohibited to make unauthorized modifications to the unit.

Important: Never look directly into the light source! Don't use the effect in the presence of persons suffering from epilepsy.

DESCRIPTION:

1. **FILTER FRAME CLIPS:** if in some cases, you need a beam that is not so wide but more light output, you can install the filter frame with the lens.
2. **BRACKET:** with knob to fasten the unit and a mounting hole to fix a mounting hook.
3. **DMX INPUT:** 3pin male XLR-connector used to connect the projector with the DMX controller or with the previous unit in the DMX chain.
4. **DMX OUTPUT:** 3pin female XLR-connector used to connect the projector with the next unit in the DMX chain.
5. **DISPLAY** shows the various menus and the selected functions.
6. **DOWN button:** to lower the values shown on the display.
7. **UP button:** to increase the values shown on the display.
8. **ENTER button:** used to confirm your choice or to enter the setup mode of a function.
9. **MODE button:** used to browse the different functions in the menu
10. **Mains input:** equipped with a 1.3m mains cable.
11. **Fuse holder:** always replace a damaged fuse with a fuse of the same type and electrical specifications!

OVERHEAD RIGGING

- **Important:** The installation must be carried out by qualified service personal only. Improper installation can result in serious injuries and/or damage to property. Overhead rigging requires extensive experience! Working load limits should be respected, certified installation materials should be used, the installed device should be inspected regularly for safety.
- Make sure the area below the installation place is free from unwanted persons during rigging, de-rigging and servicing.
- The device should be installed out of reach of people and outside areas where persons may walk by or be seated.
- Before rigging make sure that the installation area can hold a minimum point load of 10times the device's weight.
- Always use a certified safety cable that can hold 12times the weight of the device when installing the unit. This secondary safety attachment should be installed in a way that no part of the installation can drop more than 20cm if the main attachment fails.
- The device should be well fixed; a free-swinging mounting is dangerous and may not be considered!
- Don't cover any ventilation openings as this may result in overheating.
- The operator has to make sure that the safety-relating and machine-technical installations are approved by an expert before using them for the first time. The installations should be inspected every year by a skilled person to be sure that safety is still optimal.

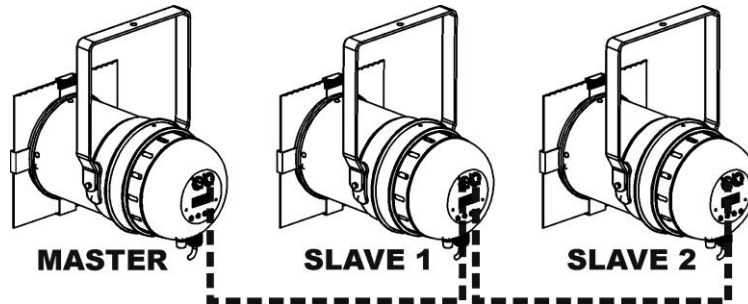
ELECTRICAL INSTALLATION

⚠ Important: The electrical installation should be carried out by qualified personal only, according to the regulations for electrical and mechanical safety in your country.

Electrical installation for 1 standalone unit:

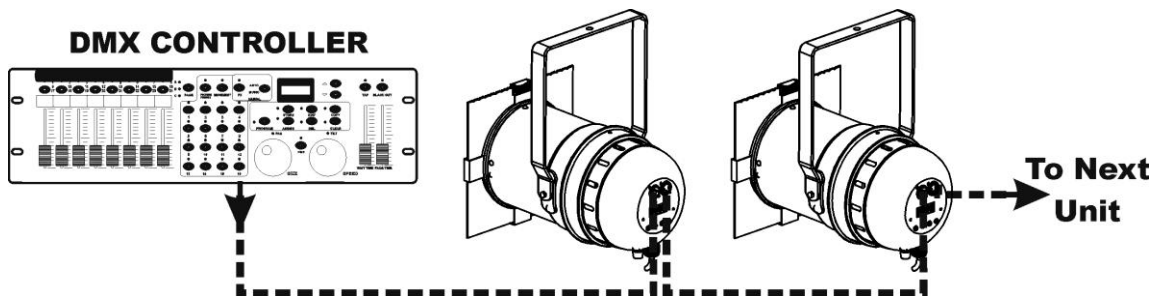
- Insert the mains cable. The unit starts working immediately in the last selected mode.
- Refer to chapter HOW TO SETUP to learn how to switch between the different working modes.

Electrical installation for two or more units in master/slave:

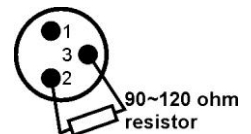


- Connect several units together using good quality balanced microphone cables. The unit that has no cable connected to its DMX-input is the “master”, the others are the slave units.
- Make sure that all units are connected to the mains.
- Refer to chapter HOW TO SETUP for more information.
- Done!

Electrical installation for two or more units in DMX-mode:



- The DMX-protocol is a widely used high speed signal to control intelligent light equipment. You need to “daisy chain” your DMX controller and all the connected units with a good quality balanced cable.
- To prevent strange behavior of the light effects, due to interferences, you must use a 90Ω to 120Ω terminator at the end of the chain. Never use Y-splitter cables, this simply won't work!
- Make sure that all units are connected to the mains.
- Each light effect in the chain needs to have its proper start address so it knows which commands from the controller it has to decode. In the section HOW TO SETUP you will learn how to set the DMX addresses. If for example you use the 4 channel DMX mode, a possible address setup could be: unit1 = 001 ~ unit2 = 005 ~ unit3 = 009 ~ unit4 = 013 ~ etc.



HOW TO SETUP:

MAIN MENU:

- To select any of the menu options, press the **MENU** button up to when the required option is shown on the display.
- Select the function with the **ENTER** button. The display will blink.
- Use DOWN and UP button to choose the desired menu option.
- Once the required menu option is selected, press the **ENTER** button to select.

DMX512 Address Setting

Used to set the start address in a DMX setup.

- Press the MENU button until **DMX MODE ADDR** is shown on the display.
- Press the ENTER button to select.
- Use DOWN and UP buttons to change the DMX512 address.
- Once the correct address is shown on the display, press the ENTER button to confirm.

SLAVE MODE

Used to set the unit in slave mode when you want to have synchronized effects with the master unit. (when no controller is used and the first unit is running it's automatic programs or is set in a fixed color)

- Press the MENU button until **SLAVE** is shown on the display.
- Press the ENTER button to select.

SOUND MODE

Used to set the automatic Sound Mode.

- Press the MENU button until **SOUND SENS** is shown on the display.
- Press the ENTER button to select.
- Use DOWN and UP buttons to change the sensitivity of the build-in microphone (00 = minimal sensitivity, 31 = maximal sensitivity).
- Once the correct sensitivity is shown on the display, press the ENTER button to confirm.

AUTOMATIC WORKING MODES:

Used to select the standalone working mode you want to use when no DMX controller is connected

- Press the MENU button until **STATIC / CHANGE / CHANG3 / CFADE** is shown on the display (depending on the last used mode).
- Press the ENTER button to select.
- Use DOWN and UP buttons to change automatic working mode.
- Press the ENTER button to select. → for each Mode you can now set different values:

1. STATIC COLOR

Used to set a static color for the projector.

- Use DOWN and UP buttons to change the intensity of the Red color (R on the display).
- Press ENTER to confirm → now you can set the intensity of the next color
- Use DOWN and UP buttons to change the intensity of the Green color (G on the display).
- Press ENTER to confirm → now you can set the intensity of the next color
- Use DOWN and UP buttons to change the intensity of the Blue color (B on the display).
- Press ENTER to confirm → now you can set the speed for the stroboscope function
- Use DOWN and UP buttons to change the flash rate (F on the display).
- When this is done, press the ENTER button to confirm.

2. CHANGE

Used to set the first color changer mode. (all colors)

- Use DOWN and UP buttons to set the speed for the color changer (SP on the display).
- Press ENTER to confirm → now you can set the speed for the stroboscope function
- Use DOWN and UP buttons to change the flash rate (F on the display).
- When this is done, press the ENTER button to confirm.

3. **CHANG3**

Used to set second color changer mode. (only the 3 basic colors: Red-Green-Blue)

- Use DOWN and UP buttons to set the speed for the color changer (SP on the display).
- Press ENTER to confirm → now you can set the speed for the stroboscope function
- Use DOWN and UP buttons to change the flash rate (F on the display).
- When this is done, press the ENTER button to confirm.

4. **CFADE**

Used to set color fade mode.

- Use DOWN and UP buttons to set the speed for the color fade (SP on the display).
- Press ENTER to confirm → now you can set the speed for the stroboscope function
- Use DOWN and UP buttons to change the flash rate (F on the display).
- When this is done, press the ENTER button to confirm.

BLACKOUT

Used to select the behavior of the projector when DMX fails (no DMX detected).

- Press the MODE button until "BLACKOUT" is shown on the display.
- Use DOWN and UP buttons to toggle between:
 - **BLACKOUT**: output turns black while no DMX is detected.
 - **FREEZE**: output based on the last valid DMX-signal is kept on the projector.

Note: as soon as the input detects a DMX-signal, blackout or freeze mode will be cancelled.

DIMMER RESPONSE

Used to select the dimmer mode you want to use with your DMX controller.

- Press the MENU button until **DIMMER RESPON** is shown on the display.
- Press the ENTER button to select.
- Use DOWN and UP buttons to select the dimmer mode you want to use.
- Once the correct mode is shown on the display, press the ENTER button to confirm.

DMX Channel Mode

The unit has 3 different DMX channel modes. With this function you can choose the DMX mode you want to use. Refer to the DMX-charts to see the differences.

- Press the MENU button until **CHANNEL CH** is shown on the display.
- Press the ENTER button to select.
- Use DOWN and UP button to select one of the available channel modes.
- Once the mode is selected, press the ENTER button to confirm.

OPERATING INSTRUCTIONS

A. Standalone 1unit:

- Just connect the projector to the mains.
- Select one of the automatic modes (**STATIC / CHANGE / CHANG3 / CFADE**) or select sound controlled mode (**SOUND SENS**)
- Refer to chapter HOW TO SETUP to learn how to make the previous settings.

B. Two or more units in master/slave setup:

- Connect the units together. Refer to the chapter "electrical installation" to learn how to do this.
- Select one of the automatic modes (**STATIC / CHANGE / CHANG3 / CFADE**) or select sound controlled mode (**SOUND SENS**) on the master (the first projector in the DMX chain)
- Set all the other projectors in SLAVE mode
- The projectors will now follow the program of the master projector so they all work synchronously.

C. Controlled by universal DMX-controller:

- Connect all units together. Refer to the chapter "Electrical installation for two or more units in DMX-mode" to learn how to do this (don't forget to address all units properly!)
- Connect all units to the mains and turn on the DMX controller.
Since each unit has its own DMX-address, you can control them individually. Remember that each unit uses 3, 4 or 5 DMX-channels, depending on the DMX-mode you have selected in the menu. See the different DMX charts below:

DMX Chart for the 3 channel DMX-Mode

Channel:	Value:	Function:
1	000-255	Red (0-100%)
2	000-255	Green (0-100%)
3	000-255	Blue (0-100%)

DMX Chart for the 4 channel DMX-Mode

Channel:	Value:	Function:
1	000-255	Red (0-100%)
2	000-255	Green (0-100%)
3	000-255	Blue (0-100%)
4	000-190	Master dimmer
	191-200	Sound control (7 colors)
	201-247	Strobe (increasing)
	248-255	Master dimmer

DMX Chart for the 5 channel DMX-Mode

Channel:	Value:	Function:
1	000-255	Red (0-100%)
2	000-255	Green (0-100%)
3	000-255	Blue (0-100%)
4	000-255	Master dimmer (0-100%)
5	000-004	ON
	005-024	Sound control (7 colors)
	025-034	ON
	035-255	Strobe (increasing)

MAINTENANCE

- Make sure the area below the installation place is free from unwanted persons during servicing.
- Switch off the unit, unplug the mains cable and wait until the unit has been cooled down.

During inspection the following points should be checked:

- All screws used for installing the device and any of its parts should be tightly fastened and may not be corroded.
- Housings, fixations and installations spots (ceiling, truss, suspensions) should be totally free from any deformation.
- When an optical lens is visibly damaged due to cracks or deep scratches, it must be replaced.
- The mains cables must be in impeccable condition and should be replaced immediately when even a small problem is detected.
- In order to protect the device from overheat the cooling fans (if any) and ventilation openings should be cleaned monthly.
- The interior of the device should be cleaned annually using a vacuum cleaner or air-jet.
- The cleaning of internal and external optical lenses and/or mirrors must be carried out periodically to optimize light output. Cleaning frequency depends on the environment in which the fixture operates: damp, smoky or particularly dirty surroundings can cause greater accumulation of dirt on the unit's optics.
 - Clean with a soft cloth using normal glass cleaning products.
 - Always dry the parts carefully.

Attention: We strongly recommend internal cleaning to be carried out by qualified personnel!

SPECIFICATIONS

Mains Input:	110-250Vac, 50/60Hz
Power consumption:	120 Watt
Fuse:	250V 2A slow blow (20mm glass)
Sound Control:	Internal microphone
DMX connections:	XLR 3pin
LEDs:	100W COB LED
Beam angle:	50°
Size:	240x240x400mm
Weight:	2,9 kg

Every information is subject to change without prior notice

You can download the latest version of this user manual on our website: www.briteq-lighting.com

GUIDE D'UTILISATION

Nous vous remercions d'avoir acheté ce produit BRITEQ®. Pour tirer pleinement profit de toutes les possibilités et pour votre propre sécurité, lisez ces instructions très attentivement avant d'utiliser cet appareil.

CARACTÉRISTIQUES

Cet appareil ne produit pas d'interférences radio. Ce produit répond aux exigences des directives européennes et nationales actuelles. La conformité a été établie et les déclarations et documents correspondants ont été déposés par le fabricant.

- Ce dispositif a été conçu pour produire un effet d'éclairage décoratif et est utilisé dans les systèmes de jeu de lumière.
- Lumière puissante LED PARCAN, parfait pour les entreprises de location, discothèques, DJ professionnels etc.
- Utilise une puissante LED RGB COB de 100W dans une armature classique PAR.
- Mélange de couleurs parfait et un faisceau très large de 50°.
- Le porte-filtre et la lentille spéciale peuvent être utilisés pour créer un faisceau plus étroit et plus puissant.
- Fonctionne de façon autonome et en mode master/slave :
 - Vous permettant de composer votre couleur fixe statique
 - Fondus de couleur automatiques en douceur et contrôle manuel de la vitesse
 - Changeur de fondus de couleurs automatique en douceur et contrôle manuel de la vitesse
 - Changeur de couleurs automatique en fonction du son avec contrôle manuel de la sensibilité du micro
- Contrôlable par DMX : 3 modes différents :
 - Mode DMX 3 canaux : R, G, B
 - Mode DMX 4 canaux : R, G, B + gradateur/chase sonore/effet stroboscopique
 - Mode DMX 5 canaux : R, G, B + gradateur Master, effet stroboscopique

AVANT UTILISATION

- Avant d'utiliser cet appareil, vérifiez s'il n'a pas été endommagé durant le transport. En cas de dommages, n'utilisez pas l'appareil et consultez immédiatement votre revendeur.
- **Important** : Cet appareil est expédié de notre usine en parfait état et bien emballé. Il est absolument nécessaire que l'utilisateur suive strictement les instructions et les avertissements de sécurité se trouvant dans ce manuel. Tout dommage dû à une mauvaise manipulation n'est pas garanti. Le revendeur n'accepte aucune responsabilité pour tous les défauts et problèmes dus au non-respect de ce manuel.
- Conservez ce manuel dans un endroit sûr pour toute consultation future. Si vous vendez l'appareil, veuillez à joindre ce manuel.

Vérifiez le contenu :

Vérifiez que l'emballage contient les éléments suivants :

- Instructions d'utilisation
- COB PAR56-RGB
- Porte-filtre avec lentille (faisceau étroit)

INSTRUCTIONS DE SÉCURITÉ :



CAUTION
RISK OF ELECTRIC SHOCK
DO NOT OPEN



ATTENTION : Pour réduire le risque de choc électrique, ne retirez pas le panneau supérieur. L'appareil ne contient aucun composant réparable par l'utilisateur. Confiez toute réparation à un personnel qualifié uniquement.



Le symbole de l'éclair à l'intérieur d'un triangle équilatéral, est destiné à alerter l'utilisateur de la présence de pièces sous tension non isolées dans le boîtier de l'appareil, d'une magnitude pouvant constituer un risque d'électrocution.



Le symbole du point d'exclamation dans un triangle équilatéral sert à avertir l'utilisateur que d'importants conseils d'utilisation et de maintenance sont fournis dans la documentation accompagnant l'appareil.



Ce symbole signifie : pour usage intérieur uniquement



Ce symbole signifie : Lisez les instructions



Ce symbole signifie : Appareil de Classe de sécurité I



Ce symbole détermine : la distance minimale des objets éclairés. La distance minimale entre la sortie de lumière et la surface éclairée doit être supérieure à un « x » mètre



Cet appareil n'est pas adapté pour un montage direct sur des surfaces normalement inflammables. (ne convient que pour le montage sur surfaces non combustibles)

RISK GROUP 2
CAUTION:
Do not stare at operating lamp

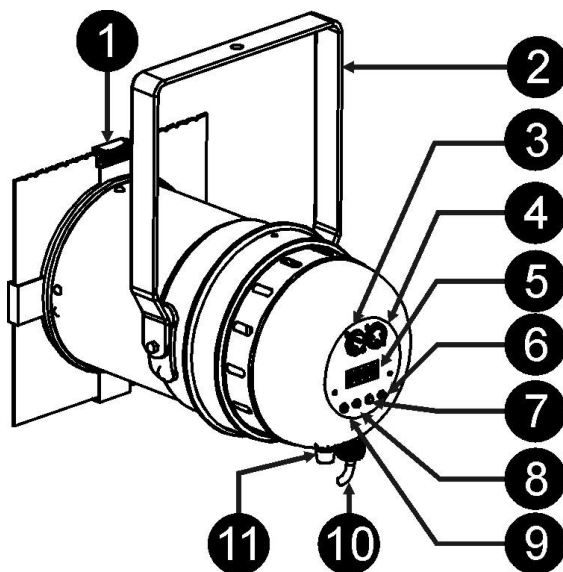
ATTENTION : Ne fixez pas votre regard sur une lampe allumée.
Peut être nocif pour les yeux.

- Pour protéger l'environnement, essayer de recycler autant que possible les matériaux d'emballage.
- Pour éviter tout incendie ou électrocution, n'exposez pas cet appareil à la pluie ou l'humidité.
- Pour éviter une formation de condensation interne, laissez l'appareil s'adapter à la température ambiante quand vous la mettez dans une pièce chauffée après le transport. La condensation empêche parfois l'appareil de fonctionner à plein rendement ou peut même causer des dommages.
- Cet appareil est destiné à un usage intérieur seulement.
- Ne placez pas d'objets métalliques et ne renversez pas de liquides à l'intérieur de l'appareil. Un choc électrique ou un dysfonctionnement peut en résulter. Si un corps étranger pénètre dans l'appareil, débranchez immédiatement l'alimentation secteur.
- Fixez l'appareil dans un endroit bien aéré, loin de tout matériau et/ou liquide inflammable. Le luminaire doit être fixé à au moins 50cm des murs environnants.
- Ne couvrez pas les ouvertures de ventilation, cela pourrait entraîner une surchauffe.
- Évitez une utilisation dans des environnements poussiéreux et nettoyez l'appareil régulièrement.
- Gardez l'appareil loin de la portée des enfants.
- Les personnes inexpérimentées ne doivent pas utiliser cet appareil.
- La température ambiante de fonctionnement maximale est de 40°C. N'utilisez pas cet appareil à des températures ambiantes plus élevées.
- Assurez-vous qu'aucune personne étrangère ne se trouve dans la zone en dessous de l'emplacement d'installation durant le montage, le démontage et l'entretien.
- Laissez environ 10 minutes à l'appareil pour refroidir avant de commencer l'entretien.
- Débranchez toujours l'appareil lorsqu'il ne va pas être utilisé pendant une longue période ou avant de commencer l'entretien.
- L'installation électrique doit être effectuée par du personnel qualifié, conformément à la réglementation en matière de sécurité électrique et mécanique dans votre pays.
- Vérifiez que la tension secteur n'est pas supérieure à celle indiquée sur l'appareil.
- Le cordon d'alimentation doit toujours être en parfait état. Eteignez immédiatement l'appareil dès le cordon d'alimentation est écrasé ou endommagé. Il doit être remplacé par le fabricant, son agent de service ou une personne de même qualification afin d'éviter tout danger.
- Ne laissez jamais le cordon d'alimentation ENTER en contact avec d'autres câbles !
- Ce luminaire doit être mis à la terre pour être conforme réglementation en matière de sécurité.
- Ne connectez pas l'appareil à aucun variateur de lumière.
- Utilisez toujours un câble de sécurité approprié et certifié lors de l'installation de l'appareil.

- Afin d'éviter un choc électrique, n'ouvrez aucun panneau. L'appareil ne contient aucun composant réparable par l'utilisateur.
- Ne réparez **jamais** un fusible et ne court-circuitez jamais le porte-fusible. Remplacez **toujours** un fusible endommagé par un fusible du même type ayant les mêmes spécifications électriques !
- En cas de sérieux problèmes de fonctionnement, cessez d'utiliser l'appareil et contactez immédiatement votre revendeur.
- Le boîtier et la lentille doivent être remplacés s'ils sont visiblement endommagés.
- Utilisez l'emballage d'origine pour transporter l'appareil.
- Pour des raisons de sécurité, il est interdit d'apporter des modifications non autorisées à l'appareil.

Important : Ne regardez jamais directement dans la source de lumière ! N'utilisez pas le jeu de lumière en présence de personnes souffrant d'épilepsie.

DESCRIPTION :



1. **PINCES DU CADRE DU FILTRE** : vous pouvez installer le cadre de filtre avec lentille, si dans certains cas vous avez besoin d'un faisceau qui n'est très large mais plus puissant.
2. **SUPPORT** : avec bouton pour attacher l'appareil avec un trou de fixation à un crochet de suspension.
3. **ENTREE DMX** : connecteur XLR 3 broches mâle pour connecter le projecteur au contrôleur DMX ou à l'unité précédente dans la chaîne DMX.
4. **SORTIE DMX** : connecteur XLR 3 broches femelle pour connecter le projecteur à l'unité suivante dans la chaîne DMX.
5. **L'ECRAN** affiche les différents menus et les fonctions sélectionnées.
6. **Touche vers le Bas** : pour diminuer les valeurs affichées à l'écran.
7. **Touche vers le Haut** : pour augmenter les valeurs affichées à l'écran.
8. **Touche ENTER** : pour confirmer votre choix ou pour accéder au mode configuration d'une fonction.
9. **Touche MODE** : pour parcourir les différentes fonctions du menu
10. **Tension d'entrée** : équipé d'un câble d'alimentation de 1,3m.
11. **PORTE-FUSIBLE** : remplacez toujours un fusible endommagé par un fusible du même type ayant les mêmes spécifications électriques !

MONTAGE AU PLAFOND

- **Important** : L'installation ne doit être effectuée que par un personnel qualifié. Une mauvaise installation peut entraîner des blessures et/ou dommages graves. Un montage au plafond exige une grande expérience ! Les limites de charge de fonctionnement doivent être respectées, des matériels d'installation certifiés doivent être utilisés, l'appareil installé doit être inspecté régulièrement pour vérifier les conditions de sécurité.
- Assurez-vous qu'aucune personne étrangère ne se trouve dans la zone en dessous de l'emplacement d'installation durant le montage, le démontage et l'entretien.
- L'appareil doit être installé hors de la portée des gens, loin des passages et des endroits où des personnes peuvent s'asseoir.

- Avant de soulever l'appareil, assurez-vous que le point de suspension peut supporter une charge d'au moins 10 fois le poids de l'appareil.
- Lors de l'installation de l'appareil, utilisez toujours un câble de sécurité certifié qui peut supporter 12 fois le poids de l'appareil. Ce support de suspension de sécurité secondaire doit être installé de manière à ce qu'aucune partie de l'installation ne puisse tomber de plus de 20cm si le support principal lâche.
- L'appareil doit être bien fixé, un montage balançant est dangereux et ne doit pas être entrepris !
- Ne couvrez pas les ouvertures de ventilation, cela pourrait entraîner une surchauffe.
- L'opérateur doit s'assurer que la sécurité relative à l'installation et les conditions techniques sont approuvées par un expert avant d'utiliser l'appareil pour la première fois. Les installations doivent être inspectées chaque année par une personne qualifiée pour être sûr que la sécurité est toujours optimale.

INSTALLATION ELECTRIQUE

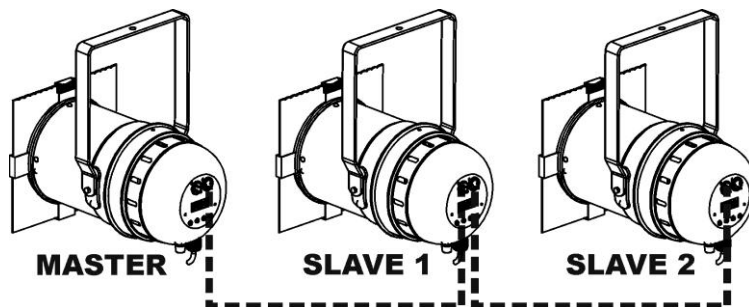


Important : L'installation électrique doit être effectuée par du personnel qualifié, conformément à la réglementation en matière de sécurité électrique et mécanique dans votre pays.

Installation électrique d'une unité autonome :

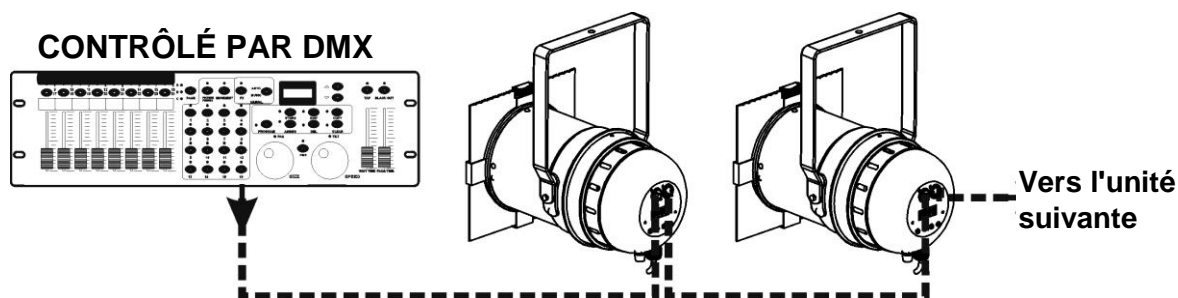
- Insérez le câble d'alimentation. L'appareil démarre immédiatement avec le dernier mode sélectionné.
- Reportez-vous au chapitre COMMENT CONFIGURER pour apprendre comment basculer entre les différents modes de fonctionnement.

Installation électrique de deux ou plusieurs unités en master/slave :



- Connectez plusieurs unités entre elles en utilisant de bons câbles de qualité microphone symétrique. L'unité qui n'a pas de câble connecté à son entrée DMX est le « master », les autres sont les unités slave.
- Assurez-vous que toutes les unités sont branchées au secteur.
- Reportez-vous au chapitre COMMENT CONFIGURER pour plus d'informations.
- C'est fait !

Installation électrique de deux ou plusieurs unités en mode DMX :



- Le protocole DMX est largement utilisé pour contrôler des équipements lumineux intelligents au moyen d'un signal de haute vitesse. Vous devez mettre en chaîne votre contrôleur DMX avec toutes les unités connectées par un câble symétrique de bonne qualité.
- Pour éviter un comportement anormal des effets de lumière, à cause des interférences, vous devez utiliser un terminateur de 90Ω à 120Ω à la fin de la chaîne. N'utilisez jamais de séparateurs de câbles en Y, cela ne fonctionne pas !
- Assurez-vous que toutes les unités sont branchées au secteur.



- Chaque effet de lumière dans la chaîne doit avoir sa propre adresse de départ afin qu'il sache quelles commandes du contrôleur à décoder. Dans la section COMMENT CONFIGURER vous apprendrez comment configurer les adresses DMX. Si par exemple vous utilisez le mode DMX 4 canaux, un réglage de l'adresse possible pourrait être : unité1 = 001 ~ unité2 = 005 ~ unité3 = 009 ~ unité4 = 013 ~ etc.

COMMENT CONFIGURER :

MENU PRINCIPAL :

- Pour sélectionner l'une des options du menu, appuyez sur la touche **MENU** jusqu'à ce que l'option souhaitée soit affichée à l'écran.
- Utilisez la touche **ENTER** pour Sélectionnez la fonction. L'affichage se met à clignoter.
- Utilisez les touches BAS et HAUT pour choisir l'option souhaitée.
- Une fois l'option souhaitée est sélectionnée, appuyez sur la touche **ENTER** pour sélectionner.

Configuration de l'adresse DMX512

Permet de définir l'adresse de début dans une configuration DMX.

- Appuyez sur la touche MENU jusqu'à ce que « **DMX MODE ADDR** » soit affiché à l'écran.
- Appuyez sur la touche ENTER pour sélectionner.
- Utilisez les touches BAS et HAUT pour changer l'adresse DMX512.
- Une fois la bonne adresse apparaît à l'écran, appuyez sur la touche ENTER pour confirmer.

MODE SLAVE

Permet de mettre l'unité en mode slave quand vous voulez avoir des effets synchronisés avec l'unité master. (si aucun contrôleur n'est utilisé et la première unité exécute ses programmes automatiques ou utilise une couleur fixe).

- Appuyez sur la touche MENU jusqu'à ce que « **SLAVE** » s'affiche à l'écran.
- Appuyez sur la touche ENTER pour sélectionner.

MODE SONORE

Permet de passer au mode sonore automatique.

- Appuyez sur le bouton MENU jusqu'à ce que « **SOUND SENS** » soit affichée à l'écran.
- Appuyez sur la touche ENTER pour sélectionner.
- Utilisez les touches BAS et HAUT pour modifier la sensibilité du microphone intégré (00 = sensibilité minimale, 31 = sensibilité maximale).
- Une fois la bonne sensibilité apparaît à l'écran, appuyez sur la touche ENTER pour confirmer.

MODES DE FONCTIONNEMENT AUTOMATIQUE :

Permet de sélectionner le mode de fonctionnement autonome que vous souhaitez utiliser lorsqu'aucun contrôleur DMX n'est connecté

- Appuyez sur la touche MENU jusqu'à ce que **STATIC / CHANGE / CHANG3 / CFADE** s'affiche à l'écran (en fonction du dernier mode utilisé).
- Appuyez sur la touche ENTER pour sélectionner.
- Utilisez les touches BAS et HAUT pour changer de mode de fonctionnement automatique.
- Appuyez sur la touche ENTER pour sélectionner. → pour chaque mode, vous pouvez fixer des valeurs différentes :

1. COULEUR STATIC

Permet de fixer une couleur statique du projecteur.

- Utilisez les touches BAS et HAUT pour changer l'intensité de la couleur rouge (R sur l'écran).
- Appuyez sur ENTER pour confirmer →, vous pouvez ensuite fixer l'intensité de la couleur suivante.
- Utilisez les touches BAS et HAUT pour changer l'intensité de la couleur verte (G sur l'écran).
- Appuyez sur ENTER pour confirmer →, vous pouvez ensuite fixer l'intensité de la couleur suivante.
- Utilisez les touches BAS et HAUT pour changer l'intensité de la couleur bleue (B sur l'écran).
- Appuyez sur ENTER pour confirmer →, vous pouvez ensuite fixer la vitesse de l'effet stroboscopique.
- Utilisez les touches BAS et HAUT pour changer la fréquence du flash (F sur l'écran).
- Une fois terminé, appuyez sur la touche ENTER pour confirmer.

2. **CHANGE**

Permet de fixer la première couleur du mode changeur. (toutes les couleurs)

- Utilisez les touches BAS et HAUT pour fixer la vitesse du changeur de couleurs (SP sur l'écran).
- Appuyez sur ENTER pour confirmer →, vous pouvez ensuite fixer la vitesse de l'effet stroboscopique.
- Utilisez les touches BAS et HAUT pour changer la fréquence du flash (F sur l'écran).
- Une fois terminé, appuyez sur la touche ENTER pour confirmer.

3. **CHANG3**

Permet de fixer la deuxième couleur du mode changeur. (seulement les 3 couleurs de base : Rouge-Vert-Bleu).

- Utilisez les touches BAS et HAUT pour fixer la vitesse du changeur de couleurs (SP sur l'écran).
- Appuyez sur ENTER pour confirmer →, vous pouvez ensuite fixer la vitesse de l'effet stroboscopique.
- Utilisez les touches BAS et HAUT pour changer la fréquence du flash (F sur l'écran).
- Une fois terminé, appuyez sur la touche ENTER pour confirmer.

4. **CFADE**

Permet de fixer la couleur du mode fondu.

- Utilisez les touches BAS et HAUT pour fixer la vitesse de fondu de couleur (SP sur l'écran).
- Appuyez sur ENTER pour confirmer →, vous pouvez ensuite fixer la vitesse de l'effet stroboscopique.
- Utilisez les touches BAS et HAUT pour changer la fréquence du flash (F sur l'écran).
- Une fois terminé, appuyez sur la touche ENTER pour confirmer.

BLACKOUT

Permet de choisir un fonctionnement du projecteur en cas de défaillance du DMX (aucun DMX détecté).

- Appuyez sur la touche MODE jusqu'à ce que « BLACKOUT » s'affiche à l'écran.
- Utilisez les touches BAS et HAUT pour basculer entre :
 - **BLACKOUT** : obscurité si aucun DMX n'est détecté.
 - **FREEZE** : le projecteur utilise le dernier signal DMX valide.

Remarque : dès l'entrée détecte un signal DMX, le mode blackout ou freeze sera annulé.

DIMMER RESPONSE

Permet de sélectionner le mode gradateur à utiliser avec le contrôleur DMX.

- Appuyez sur la touche MENU jusqu'à ce que « DIMMER RESPON » soit affiché à l'écran.
- Appuyez sur la touche ENTER pour sélectionner.
- Utilisez les touches BAS et HAUT pour sélectionner le mode gradateur à utiliser.
- Une fois le bon mode apparaît à l'écran, appuyez sur la touche ENTER pour confirmer.

Mode canal DMX

L'unité offre 3 différents modes canal DMX. Cette fonction permet de sélectionner le mode DMX à utiliser. Reportez-vous au tableau DMX pour voir les différences.

- Appuyez sur la touche MENU jusqu'à ce que « CHANNEL CH » soit affiché à l'écran.
- Appuyez sur la touche ENTER pour sélectionner.
- Utilisez les touches BAS et HAUT pour sélectionner un des modes canal disponibles.
- Une fois le mode est sélectionné, appuyez sur la touche ENTER pour confirmer.

INSTRUCTIONS D'UTILISATION

A. **Une unité autonome :**

- Il suffit de brancher le projecteur au secteur.
- Sélectionnez l'un des modes automatiques (**STATIC / CHANGE / CHANG3 / CFADE**) ou sélectionnez le mode contrôlé par le son (**SOUND SENS**).
- Reportez-vous au chapitre explique COMMENT CONFIGURER pour apprendre à faire les réglages précédents.

B. **Configuration de deux ou plusieurs unités en master/slave :**

- Connectez ensemble toutes les unités. Reportez-vous au chapitre « Installation électrique » pour apprendre comment faire cela.

- Sélectionnez l'un des modes automatiques (**STATIC / CHANGE / CHANG3 / CFADE**) ou sélectionnez le mode contrôlé par le son (**SOUND SENS**) sur l'unité master (le premier projecteur de la chaîne DMX).
- Mettez tous les autres projecteurs en mode SLAVE.
- Les projecteurs vont se synchroniser au programme du projecteur master.

C. Contrôlé par le contrôleur DMX universel :

- Connectez ensemble toutes les unités. Reportez-vous au chapitre « Installation électrique pour deux ou plusieurs unités en mode DMX » pour apprendre comment faire cela (n'oubliez pas d'adresser toutes les unités correctement !).
- Branchez toutes les unités au secteur et allumez le contrôleur DMX.
Etant donné que chaque unité possède sa propre adresse DMX, vous pouvez les contrôler individuellement. N'oubliez pas que chaque unité utilise 3, 4 ou 5 canaux DMX, selon le mode DMX sélectionné dans le menu. Reportez-vous aux différents tableaux DMX ci-dessous :

Tableau DMX pour le mode DMX 3 canaux

Canal :	Valeur :	Fonction :
1	000-255	Rouge (0-100%)
2	000-255	Vert (0-100%)
3	000-255	Bleu (0-100%)

Tableau DMX pour le mode DMX 4 canaux

Canal :	Valeur :	Fonction :
1	000-255	Rouge (0-100%)
2	000-255	Vert (0-100%)
3	000-255	Bleu (0-100%)
4	000-190	Gradateur master
	191-200	Contrôle du son (7 couleurs)
	201-247	Effet stroboscopique (croissant)
	248-255	Gradateur master

Tableau DMX pour le mode DMX 5 canaux

Canal :	Valeur :	Fonction :
1	000-255	Rouge (0-100%)
2	000-255	Vert (0-100%)
3	000-255	Bleu (0-100%)
4	000-255	Gradateur master (0-100%)
5	000-004	MARCHE
	005-024	Contrôle du son (7 couleurs)
	025-034	MARCHE
	035-255	Effet stroboscopique (croissant)

ENTRETIEN

- Assurez-vous qu'aucune personne étrangère ne se trouve dans la zone en dessous de l'emplacement d'installation durant l'entretien.
- Eteignez l'appareil, débranchez le câble secteur et attendez que l'appareil refroidisse.

Lors de l'inspection les points suivants doivent être vérifiés :

- Toutes les vis utilisées pour l'installation de l'appareil et chacune de ses composantes doivent être solidement fixées et ne peuvent être rouillées.
- Les boîtiers, les supports et les boutons d'installation (plafond, poutre, suspensions) ne doivent pas être déformés.
- Quand une lentille optique est visiblement endommagée en raison de fissures ou de rayures profondes, elle doit être remplacée.
- Les câbles d'alimentation doit être dans un état impeccable et doivent être remplacés immédiatement même si un petit problème est détecté.
- Afin de protéger l'appareil de toute surchauffe, les ventilateurs de rafraîchissement (le cas échéant) et les ouvertures de ventilation doivent être nettoyés mensuellement.
- L'intérieur de l'appareil doit être nettoyé une fois par an à l'aide d'un aspirateur ou d'un jet d'air.
- Le nettoyage des lentilles optiques et/ou miroirs internes et externes doit être effectué périodiquement pour optimiser le flux lumineux. La fréquence de nettoyage dépend de l'environnement dans lequel le projecteur est utilisé : des environnements humides, enfumés ou particulièrement sales peuvent causer l'accumulation de saleté sur l'optique de l'appareil.
 - Nettoyez avec un chiffon doux en utilisant des produits de nettoyage pour verre normal.
 - Séchez toujours les pièces soigneusement.

Attention : Nous vous conseillons fortement de faire effectuer le nettoyage interne par un personnel qualifié !

SPÉCIFICATIONS

Tension d'entrée :	110-250Vac, 50/60Hz
Consommation :	120 Watts
Fusible :	250V 2A à action retardée (verre 20mm)
Réglage du son :	Microphone interne
Connexions DMX :	XLR 3 broches
Témoins :	LED COB 100W
Angle de faisceau :	50°
Dimensions :	240x240x400mm
Poids :	2,9kg

Toutes les informations peuvent être modifiées sans préavis
Vous pouvez télécharger la dernière version de ce manuel sur notre site web :
www.briteq-lighting.com

GEBRUIKSAANWIJZING

Hartelijk dank voor de aankoop van dit BRITEQ® product. Om ten volle van alle mogelijkheden te profiteren en in belang van uw eigen veiligheid, lees deze bedieningsinstructies zorgvuldig voordat u deze eenheid begint te gebruiken.

KENMERKEN

Deze eenheid is radiostoring onderdrukt. Dit product voldoet aan de eisen van de huidige Europese en nationale richtlijnen. Conformiteit werd aangetoond en de desbetreffende verklaringen en documenten zijn door de fabrikant gedeponneerd.

- Dit apparaat is ontworpen om decoratieve effectverlichting te produceren en wordt in lichtshowsysteem gebruikt.
- Hoog vermogen LED PAR, perfect voor verhuurbedrijven, discotheken, professionele DJ's, enz.
- Gebruikt een krachtige 100W RGB COB LED in een klassieke PAR armatuur.
- Absoluut perfecte kleurenmix en een zeer brede lichtbundel van 50°.
- Het filterframe met de speciale lens kan worden gebruikt om een nauwere en krachtigere lichtbundel te creëren.
- Werkt alleenstaand en als master/slave:
 - Stel uw eigen statische, vaste kleur samen
 - Automatische en soepele kleurvervaging met handmatige snelheidsregeling
 - Automatische kleurverandering met handmatige snelheidsregeling
 - Geluidgestuurde kleurverandering met handmatige gevoeligheidsregeling voor de ingebouwde microfoon
- DMX instelbaar: 3 verschillende modi zijn beschikbaar:
 - 3-kanaals DMX-modus: R, G, B
 - 4-kanaals DMX-modus: R, G, B + Dimmer/geluid chase/strobe
 - 5-kanaals DMX-modus: R, G, B, Master-dimmer, strobe

VÓÓR GEBRUIK

- Voordat u dit apparaat begint te gebruiken, controleer of er geen transportschade aanwezig is. Mocht er schade zijn, gebruik het apparaat niet en raadpleeg eerst uw dealer.
- **Belangrijk:** Dit apparaat verliet de fabriek in perfecte staat en goed verpakt. Het is absoluut noodzakelijk voor de gebruiker om de veiligheidsinstructies en waarschuwingen in deze handleiding strikt op te volgen. Eventuele schade veroorzaakt door verkeerd gebruik valt niet onder de garantie. De dealer zal geen aansprakelijkheid accepteren voor eventuele fouten of problemen veroorzaakt door het negeren van deze handleiding.
- Bewaar dit boekje op een veilige plaats voor toekomstige raadpleging. Als u de armatuur verkoopt, vergeet niet om deze handleiding erbij te voegen.

Controleer de inhoud:

Controleer of de verpakking de volgende artikelen bevat:

- Bedieningsinstructies
- COB PAR56-RGB
- Filterframe met lens (nauwe lichtbundel)

VEILIGHEIDSINSTRUCTIES:



OPGELET: Om het risico van elektrische schokken te verkleinen, verwijder de bovenafdekking niet. Er bevinden zich geen onderdelen binnenin die door de gebruiker onderhouden moeten worden. Laat het onderhoud alleen door gekwalificeerd onderhoudspersoneel uitvoeren.



De bliksemschicht met pijl binnenin een gelijkzijdige driehoek is bedoeld om de gebruiker te waarschuwen op de aanwezigheid van ongeïsoleerde “gevaarlijke spanning” binnen de behuizing van het product dat van voldoende omvang is om een risico op elektrische schokken te vormen.



Het uitroepteken binnen een gelijkzijdige driehoek is bedoeld om de gebruiker te waarschuwen op de aanwezigheid van belangrijke gebruiks- en onderhoudsinstructies in de documentatie die met dit apparaat meekomen.



Dit symbool betekent: alleen gebruik binnenshuis



Dit symbool betekent: Lees de instructies



Dit symbool betekent: Veiligheidsklasse I apparaat



Dit symbool bepaalt: de minimale afstand tot de verlichte objecten. De minimale afstand tussen de lichtbron en het verlichte oppervlak moet meer dan x meter zijn.



Het apparaat is niet geschikt voor directe montage op normale brandbare oppervlakken. (alleen geschikt voor montage op onbrandbare oppervlakken)



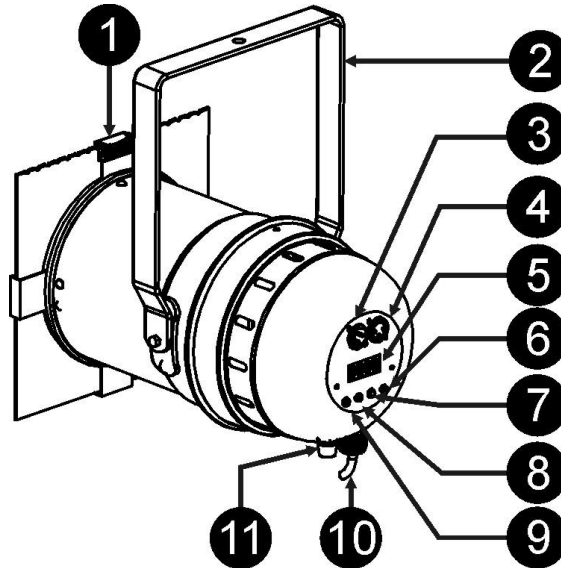
OPGELET: Kijk niet naar een werkende lamp.
Het kan schadelijk zijn voor de ogen.

- Om het milieu te beschermen, probeer het verpakkingsmateriaal zoveel mogelijk te recyclen.
- Om brand of elektrische schokgevaar te voorkomen, stel dit apparaat niet aan regen of vocht bloot.
- Om te voorkomen dat binnenin condensatie wordt gevormd, laat het apparaat aan de omgevingstemperatuur aanpassen wanneer het na transport in een warme kamer wordt gebracht. Condens verhindert soms het apparaat op volle capaciteit te werken of kan zelfs schade veroorzaken.
- Dit apparaat is uitsluitend geschikt voor gebruik binnenshuis.
- Plaats geen metalen voorwerpen of mors geen vloeistoffen in het toestel. Elektrische schokken of storing kunnen het gevolg zijn. Als een vreemd voorwerp in het apparaat terecht komt, trek onmiddellijk de stekker uit het stopcontact.
- Plaats de armatuur op een goed geventileerde plek, uit de buurt van brandbare materialen en/of vloeistoffen. De armatuur moet op minstens 50 cm vanaf de omringende muren worden bevestigd.
- Bedek geen ventilatieopeningen, omdat dit tot oververhitting kan leiden.
- Voorkom het gebruik in stoffige omgevingen en maak het apparaat regelmatig schoon.
- Houd het apparaat buiten bereik van kinderen.
- Onervaren personen mogen dit apparaat niet bedienen.
- De maximaal veilige omgevingstemperatuur is 40°C. Gebruik deze eenheid niet bij hogere omgevingstemperaturen.
- Zorg ervoor dat het gebied onder de installatieplaats tijdens het takelen, onttakelen en onderhoud, vrij is van ongewenste personen.
- Laat het apparaat ongeveer 10 minuten afkoelen alvorens met onderhoud te beginnen.
- Ontkoppel altijd het apparaat wanneer het voor een langere tijd niet wordt gebruikt of alvorens het onderhoud te beginnen.
- De elektrische installatie dient alleen door gekwalificeerd personeel te worden uitgevoerd, in overeenstemming met de voorschriften voor elektrische en mechanische veiligheid in uw land.
- Controleer of de beschikbare spanning niet hoger is dan aangegeven op het apparaat.
- Het netsnoer moet altijd in perfecte staat zijn. Schakel het apparaat onmiddellijk uit als het netsnoer is platgeknepen of beschadigd. Het moet door de fabrikant, zijn vertegenwoordiger, of door een vergelijkbaar bevoegde persoon worden vervangen, om een gevaar te voorkomen.
- Laat het netsnoer nooit met andere kabels in contact komen!
- Deze armatuur moet worden geaard om aan de veiligheidsvoorschriften te voldoen.
- Sluit het apparaat niet aan op een dimmerpack.
- Gebruik bij het installeren van het apparaat altijd een geschikte en gecertificeerde veiligheidskabel.
- Om elektrische schokken te voorkomen, open de afdekking niet. Er zijn geen door de gebruiker te repareren onderdelen binnenin het apparaat aanwezig.
- Repareer **nooit** een zekering of sluit nooit de zekeringhouder kort. Vervang **altijd** een kapotte zekering met een zekering van hetzelfde type en elektrische specificaties!
- In het geval van ernstige problemen, stop met het gebruik van de armatuur en neem onmiddellijk contact op met uw dealer.

- De behuizing en de lenzen moeten worden vervangen als ze zichtbaar beschadigd zijn.
- Gebruik de originele verpakking als het toestel vervoerd moet worden.
- Vanwege veiligheidsredenen is het verboden om ongeautoriseerde wijzigingen aan het apparaat aan te brengen.

Belangrijk: Kijk nooit rechtstreeks in de lichtbron! Gebruik het effect niet in aanwezigheid van personen die aan epilepsie lijden.

BESCHRIJVING:



1. **FILTERFRAME-CLIPS:** als u in bepaalde gevallen een lichtbundel wilt hebben die niet zo breed is, maar het meer lichtsterkte, dan kunt u het filterframe met de lens installeren.
2. **BRACKET:** met knop voor bevestiging van het apparaat en een montageopening om een montagehaak te bevestigen.
3. **DMX-INGANG:** 3-pins mannelijke XLR-connector die gebruikt wordt om de projector met de vorige eenheid in de DMX-keten te verbinden.
4. **DMX-UITGANG:** 3-pins vrouwelijke XLR-connector die gebruikt wordt om de projector met de volgende eenheid in de DMX-keten te verbinden.
5. **DISPLAY** toont de verschillende menu's en de geselecteerde functies.
6. **OMLAAG-knop:** de waarden weergegeven op de display verlagen.
7. **OMHOOG-knop:** de waarden weergegeven op de display verhogen.
8. **ENTER-knop:** uw keuze bevestigen of de instellingsmodus van een functie openen.
9. **MODE-knop:** de verschillende functies in het menu doorlopen.
10. **Energievoorziening:** uitgerust met 1.3 m netsnoer.
11. **Zekeringhouder:** vervang altijd een kapotte zekering met een zekering van hetzelfde type en elektrische specificaties!

HIJSEN BOVEN PERSONEN

- **Belangrijk:** De installatie mag alleen door gekwalificeerd onderhoudspersoneel worden uitgevoerd. Onjuiste installatie kan tot ernstig letsel en/of schade aan goederen leiden. Hissen boven personen vereist veel ervaring! Werklastgrenzen moeten in acht worden genomen, gecertificeerde installatiematerialen moeten worden gebruikt, het geïnstalleerde apparaat moet regelmatig worden gecontroleerd op veiligheid.
- Zorg ervoor dat het gebied onder de installatieplaats tijdens het takelen, onttakelen en onderhoud, vrij is van ongewenste personen.
- Het apparaat moet buiten het bereik van mensen en buiten de gebieden waar personen kunnen lopen of zitten worden geïnstalleerd.
- Alvorens te hissen, controleer of de installatieplek een minimum puntbelasting van 10 keer het gewicht van het apparaat kan dragen.
- Gebruik bij het installeren van het apparaat altijd een gecertificeerde veiligheidskabel die 12 keer het gewicht van het apparaat kan dragen. Deze secundaire veiligheidsbevestiging dient op een zodanige

wijze te worden geïnstalleerd zodat geen enkel onderdeel van de installatie meer dan 20 cm kan vallen als de hoofdbevestiging het begeeft.

- Het apparaat moet goed worden bevestigd; een vrij pendelende montage is gevaarlijk en mag niet worden overwogen!
- Bedek geen ventilatieopeningen, omdat dit tot oververhitting kan leiden.
- De exploitant moet ervoor zorgen dat de veiligheidgerelateerde en machinetechnische installaties door een deskundige zijn goedgekeurd alvorens deze voor de eerste keer te gebruiken. De installaties moeten ieder jaar door een vakman worden geïnspecteerd om er zeker van te zijn dat de veiligheid nog steeds optimaal is.

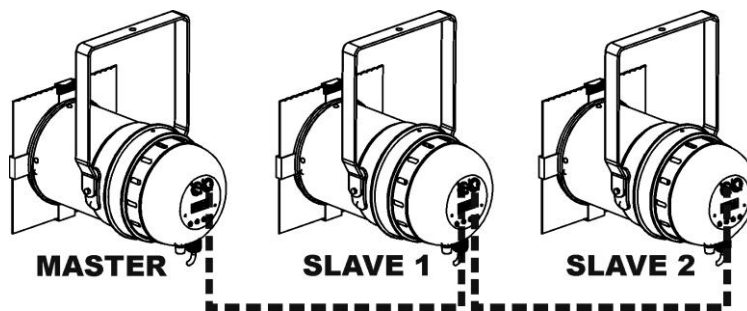
ELEKTRISCHE INSTALLATIE

⚠ Belangrijk: De elektrische installatie dient alleen door gekwalificeerd personeel te worden uitgevoerd, in overeenstemming met de voorschriften voor elektrische en mechanische veiligheid in uw land.

Elektrische installatie voor 1 zelfstandig eenheid:

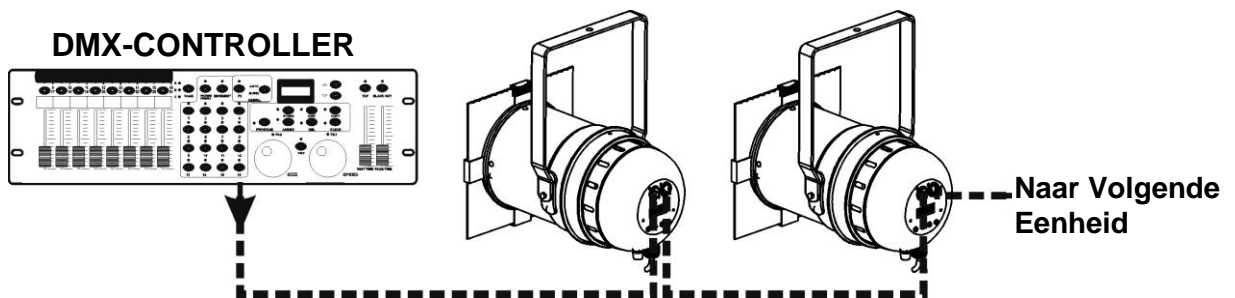
- Steek de voedingskabel in. Het apparaat begint onmiddellijk te werken in de laatste geselecteerde modus.
- Zie het hoofdstuk "HOE IN TE STELLEN" om te leren hoe tussen de verschillende werkmodi te schakelen.

Elektrische installatie voor twee of meer apparaten in master/slave:



- Koppel meerdere eenheden met goede kwaliteit gebalanceerde microfoonkabels aan elkaar. De eenheid waar geen kabel op de DMX-ingang is aangesloten, is de "master", de anderen zijn de slave-eenheden.
- Zorg ervoor dat alle apparaten op het lichtnet zijn aangesloten.
- Zie het hoofdstuk "HOE IN TE STELLEN" voor meer informatie.
- Klaar!

Elektrische installatie voor twee of meer eenheden in de DMX-modus:



- De DMX-protocol is een veel gebruikte hoge snelheidssignaal om intelligente lichtapparatuur te bedienen. U moet uw DMX-controller en alle aangesloten apparaten met een goede kwaliteit gebalanceerde kabel aan elkaar koppelen.
- Om vreemd gedrag van de lichteffecten als gevolg van storingen te voorkomen, moet u een 90 Ω tot 120 Ω terminator aan het eind van de keten gebruiken. Gebruik nooit Y-splitter-kabels, dit zal gewoon niet werken!
- Zorg ervoor dat alle apparaten op het lichtnet zijn aangesloten.



- Elk lichteffect in de keten heeft een goed startadres nodig, zodat het weet welke commando's van de controller het moet decoderen. In de paragraaf "HOE IN TE STELLEN" leert u hoe de DMX-adressen moet instellen. Als u bijvoorbeeld de 4-kanaals DMX-modus gebruikt, kan dit een mogelijke adresinstelling zijn: eenheid1 = 001 ~ eenheid2 = 005 ~ eenheid3 = 009 ~ eenheid4 = 013 ~ enz.

HOE IN TE STELLEN:

HOOFDMENU:

- Om een willekeurige menuoptie te selecteren druk op de "MENU"-knop totdat de gewenste optie op de display wordt weergegeven.
- Selecteer de functie met de "ENTER"-knop. De display zal knipperen.
- Gebruik de "OMLAAG"- en "OMHOOG"-knoppen om de gewenste menuoptie te selecteren.
- Zodra de gewenste menuoptie is geselecteerd, druk op de "ENTER"-knop om te selecteren.

DMX512-adres instellen

Wordt gebruikt om het startadres in een DMX-setup in te stellen.

- Druk op en houd de "MENU"-knop ingedrukt, totdat "DMX MODE ADDR" op de display wordt weergegeven.
- Druk op de "ENTER"-knop om te selecteren.
- Gebruik de "OMLAAG"- en "OMHOOG"-knoppen om het DMX512-adres te wijzigen.
- Zodra het juiste adres op de display wordt weergegeven, druk op de "ENTER"-knop om te bevestigen.

SLAVE-MODUS

Gebruikt om het apparaat in te stellen op slave-modus wanneer u de effecten wilt synchroniseren met het master-apparaat. (wanneer u geen controller gebruikt en het eerste apparaat zijn automatische programmeringen doorloopt of ingesteld is op een vaste kleur).

- Druk op en houd de "MENU"-knop ingedrukt totdat "SLAVE" op de display wordt weergegeven.
- Druk op de "ENTER"-knop om te selecteren.

GELUIDMODUS

Gebruikt om de automatische Geluidsmodus in te stellen.

- Druk op en houd de "MENU"-knop ingedrukt totdat "SOUND SENS" op de display wordt weergegeven.
- Druk op de "ENTER"-knop om te selecteren.
- Gebruik de "OMHOOG"- en "OMLAAG"-knoppen om de gevoeligheid van de ingebouwde microfoon te wijzigen (00 = minimale gevoeligheid, 31 = maximale gevoeligheid).
- Zodra de display eenmaal de juiste gevoeligheid weergeeft, kunt u ter bevestiging op de "ENTER"-knop drukken.

AUTOMATISCHE GEBRUIKSMODI:

Gebruikt om de alleenstaande gebruiksmodus te selecteren wanneer er geen DMX-controller is aangesloten

- Druk op de "MENU"-knop totdat **STATIC / CHANGE / CHANG3 / CFADE** op de display verschijnt (afhankelijk van de laatst gebruikte modus).
- Druk op de "ENTER"-knop om te selecteren.
- Gebruik de "OMHOOG"- en "OMLAAG"-knoppen om de automatische gebruiksmodus te veranderen.
- Druk op de "ENTER"-knop om te selecteren. → u kunt voor elke Modus verschillende waarden instellen:

1. STATIC KLEUR

Gebruikt om een statische kleur voor de projector in te stellen.

- Gebruik de "OMHOOG"- en "OMLAAG"-knoppen om de intensiteit van de Rode kleur (R op de display) aan te passen.
- Druk ter bevestiging op "ENTER" → u kunt nu de intensiteit van de volgende kleur instellen
- Gebruik de "OMHOOG"- en "OMLAAG"-knoppen om de intensiteit van de Groene kleur (G op de display) aan te passen.
- Druk ter bevestiging op "ENTER" → u kunt nu de intensiteit van de volgende kleur instellen
- Gebruik de "OMHOOG"- en "OMLAAG"-knoppen om de intensiteit van de Blauwe kleur (B op de display) aan te passen.
- Druk ter bevestiging op "ENTER" → u kunt nu de snelheid instellen voor de stroboscoopfunctie

- Gebruik de “OMHOOG”- en “OMLAAG”-knoppen om de flash-snelheid (F op de display) aan te passen.
- Druk nadat alle instellingen zijn gemaakt op de “ENTER”-knop om te bevestigen.

2. **CHANGE**

Gebruik om de eerste kleurwijzigingmodus in te stellen. (alle kleuren).

- Gebruik de “OMHOOG”- en “OMLAAG”-knoppen om de snelheid voor de kleurwijziging (SP op de display) aan te passen.
- Druk ter bevestiging op “ENTER” → u kunt nu de snelheid instellen voor de stroboscoopfunctie
- Gebruik de “OMHOOG”- en “OMLAAG”-knoppen om de flash-snelheid (F op de display) aan te passen.
- Druk nadat alle instellingen zijn gemaakt op de “ENTER”-knop om te bevestigen.

3. **CHANG3**

Gebruik om de tweede kleurwijzigingmodus in te stellen. (alleen de 3 basiskleuren: Rood-Groen-Blauw).

- Gebruik de “OMHOOG”- en “OMLAAG”-knoppen om de snelheid voor de kleurwijziging (SP op de display) aan te passen.
- Druk ter bevestiging op “ENTER” → u kunt nu de snelheid instellen voor de stroboscoopfunctie
- Gebruik de “OMHOOG”- en “OMLAAG”-knoppen om de flash-snelheid (F op de display) aan te passen.
- Druk nadat alle instellingen zijn gemaakt op de “ENTER”-knop om te bevestigen.

4. **CFADE**

Gebruikt om de kleurvervagingmodus in te stellen.

- Gebruik de “OMHOOG”- en “OMLAAG”-knoppen om de snelheid voor de kleurvervaging (SP op de display) aan te passen.
- Druk ter bevestiging op “ENTER” → u kunt nu de snelheid instellen voor de stroboscoopfunctie.
- Gebruik de “OMHOOG”- en “OMLAAG”-knoppen om de flash-snelheid (F op de display) aan te passen.
- Druk nadat alle instellingen zijn gemaakt op de “ENTER”-knop om te bevestigen.

BLACKOUT

Gebruikt om het gedrag van de projector te selecteren wanneer DMX faalt (geen DMX waargenomen).

- Druk op en houd de “MODE”-knop ingedrukt totdat “BLACKOUT” op de display wordt weergegeven.
- Gebruik de “OMHOOG”- en “OMLAAG”-knoppen om te wisselen tussen:
 - **BLACKOUT**: uitgang wordt zwart terwijl er geen DMX wordt waargenomen.
 - **FREEZE**: uitgang gebaseerd op het laatste geldige DMX-sigitaal wordt op de projector gehouden.

Opmerking: zodra de ingang een DMX-sigitaal waarneemt, wordt de blackout- of freeze-modus geannuleerd.

DIMMERREACTIE

Gebruikt om de dimmermodus te selecteren die u met uw DMX-controller wilt gebruiken.

- Druk op en houd de “MENU”-knop ingedrukt totdat “DIMMER RESPON” op de display wordt weergegeven.
- Druk op de “ENTER”-knop om te selecteren.
- Gebruik de “OMHOOG”- en “OMLAAG”-knoppen om de te gebruiken dimmermodus te selecteren.
- Zodra de juiste modus op de display verschijnt, kunt u ter bevestiging op de “ENTER”-knop drukken.

DMX Kanaalmodus

De eenheid heeft 3 verschillende DMX-kanaalmodi. U kunt met deze functie de te gebruiken DMX-modus selecteren. Raadpleeg het DMX-grafiek om de verschillen te zien.

- Druk op en houd de “MENU”-knop ingedrukt, totdat “CHANNEL CH” op de display wordt weergegeven.
- Druk op de “ENTER”-knop om te selecteren.
- Gebruik de “OMLAAG”- en “OMHOOG”-knoppen om één van de beschikbare kanaalmodi te selecteren.
- Zodra de modus is geselecteerd, druk op de “ENTER”-knop om te bevestigen.

BEDIENINGSINSTRUCTIES

A. Zelfstandig 1 eenheid:

- Sluit eenvoudig de projector op het lichtnet aan.
- Selecteer een van de automatische modi (**STATIC / CHANGE / CHANG3 / CFADE**) of selecteer de geluidgestuurder modus (**SOUND SENS**)
- Zie het hoofdstuk "HOE IN TE STELLEN" om te leren hoe de vorige instellingen gemaakt moeten worden.

B. Twee of meer eenheden in master/slave instellen:

- Sluit alle eenheden op elkaar aan. Raadpleeg het hoofdstuk "elektrische installatie" om te leren hoe dit te doen.
- Selecteer een van de automatische modi (**STATIC / CHANGE / CHANG3 / CFADE**) of selecteer de geluidgestuurder modus (**SOUND SENS**) op de master (de eerste projector in de DMX-keten).
- Stel alle andere projectors in op SLAVE-modus.
- De projectors zullen nu de programmering van de master-projector volgen en dus allemaal gesynchroniseerd werken.

C. Bestuurd via de universele DMX-controller:

- Sluit alle eenheden op elkaar aan. Raadpleeg het hoofdstuk "Elektrische installatie voor twee of meer apparaten in de DMX-modus" om te leren hoe dit te doen (vergeet niet om alle eenheden juist te adresseren!).
- Sluit alle units op het lichtnet aan en zet de DMX-controller aan.

Aangezien elke eenheid een eigen DMX-adres heeft, kunt u ze individueel bedienen. Vergeet niet dat elke eenheid 3, 4 of 5 DMX-kanalen gebruikt, ongeacht de DMX-modus die u in het menu hebt geselecteerd. Zie de verschillende DMX-grafieken hieronder:

DMX-grafiek voor de 3-kanals DMX-Modus

Kanaal:	Waarde:	Functie:
1	000-255	Rood (0-100%)
2	000-255	Groen (0-100%)
3	000-255	Blauw (0-100%)

DMX-grafiek voor de 4-kanals DMX-Modus

Kanaal:	Waarde:	Functie:
1	000-255	Rood (0-100%)
2	000-255	Groen (0-100%)
3	000-255	Blauw (0-100%)
4	000-190	Master-dimmer
	191-200	Geluidsregeling (7 kleuren)
	201-247	Strobe (verhogend)
	248-255	Master-dimmer

DMX-grafiek voor de 5-kanals DMX-Modus

Kanaal:	Waarde:	Functie:
1	000-255	Rood (0-100%)
2	000-255	Groen (0-100%)
3	000-255	Blauw (0-100%)
4	000-255	Master-dimmer (0-100%)
5	000-004	AAN
	005-024	Geluidsregeling (7 kleuren)
	025-034	AAN
	035-255	Strobe (verhogend)

ONDERHOUD

- Zorg ervoor dat het gebied onder de installatieplaats tijdens het takelen, onttakelen en onderhoud vrij is van ongewenste personen.
- Schakel het apparaat uit, ontkoppel het netsnoer en wacht totdat het apparaat is afgekoeld.

Tijdens de inspectie moeten de volgende punten worden gecontroleerd:

- Alle schroeven gebruikt voor het installeren van het apparaat of onderdelen van het apparaat, moeten stevig worden bevestigd en mogen niet gecorrodeerd zijn.
- Behuizingen, bevestigingen en installatieplaatsen (plafond, dragers, ophangingen) moeten volledig vrij van vervorming zijn.
- Wanneer een optische lens zichtbaar door scheuren of diepe krassen is beschadigd, moet het worden vervangen.
- De netsnoeren moeten in perfecte conditie zijn en onmiddellijk worden vervangen wanneer zelfs een klein probleem wordt gedetecteerd.
- Om het apparaat tegen oververhitting te beschermen moeten de ventilatoren (indien aanwezig) en ventilatieopeningen maandelijks worden gereinigd.
- Het interieur van het apparaat moeten jaarlijks met een stofzuiger of luchtstraal worden gereinigd.
- Het reinigen van de interne en externe optische lenzen en/of spiegels moet regelmatig worden uitgevoerd om de lichtopbrengst te optimaliseren. De frequentie van reiniging hangt af van de omgeving waarin de armatuur werkt: een vochtige, rokerige of bijzonder vuile omgeving kan leiden tot een grotere opeenhoping van vuil op de optiek van het apparaat.
 - Reinig met een zachte doek met behulp van normale reinigingsmiddelen voor glas.
 - Droog de onderdelen altijd zorgvuldig.

Opgelet: Wij raden nadrukkelijk aan om het inwendig reinigen door gekwalificeerd personeel uit te laten voeren!

SPECIFICATIES

Energievoorziening:	110-250 VAC, 50/60 Hz.
Energieverbruik:	120 Watt
Zekering:	250 V, 2A traag (20 mm glas)
Geluidbesturing:	Ingebouwde microfoon
DMX-aansluitingen:	XLR 3-pins
LED's:	100W COB LED
Straalhoek:	50°
Afmetingen:	240x240x400 mm
Gewicht:	2.9 kg

**Alle informatie is onderhevig aan verandering zonder voorafgaande kennisgeving.
U kunt de nieuwste versie van deze handleiding van onze website downloaden:
www.briteq-lighting.com**

BEDIENUNGSANLEITUNG

Vielen Dank für den Kauf dieses BRITEQ®-Produkts. Bitte lesen Sie bitte diese Bedienungshinweise sorgfältig vor der Inbetriebnahme durch, um alle Möglichkeiten des Geräts voll zu nutzen sowie zu Ihrer eigenen Sicherheit.

EIGENSCHAFTEN

Dieses Gerät ist entstickt. Das Gerät entspricht den aktuellen europäischen Anforderungen und nationalen Richtlinien. Die Konformität wurde nachgewiesen und die entsprechenden Erklärungen und Unterlagen liegen beim Hersteller vor.

- Dieses Gerät wird zur Erzeugung von dekorativen Beleuchtungseffekten in Lichtshows eingesetzt.
- Hochleistungs-LED PARCAN, ideal für Verleiher, Diskotheken, DJs usw.
- Verwendet eine leistungsstarke 100W RGB-COB-LEDs in einer klassischen PAR-Armatur.
- Absolut perfekte Farbmischung und ein sehr breiter 50°-Strahl.
- Der Filterrahmen mit dem speziellen Objektiv kann zum Erzeugen eines schmaleren und leistungsstärkeren Strahls verwendet werden.
- Arbeitet eigenständig und als Master/Slave:
 - Erzeugen Sie Ihre statische feste Farbe
 - Automatische weiche Farbfades mit manueller Geschwindigkeitssteuerung
 - Automatischer Farbwechsler mit manueller Geschwindigkeitssteuerung
 - Musikgesteuerter Farbwechsler mit manueller Empfindlichkeitssteuerung für das integrierte Mikrofon
- Über DMX steuerbar: 3 unterschiedliche Modi sind verfügbar:
 - 3-Kanal DMX-Modus: R, G, B
 - 4-Kanal DMX-Modus: R, G, B + Dimmer/Tonverfolgung/Stroboskop
 - 5-Kanal DMX-Modus: R, G, B, Master-Dimmer, Stroboskop

VOR DER ERSTBENUTZUNG

- Vor der Erstbenutzung bitte das Gerät zuerst auf Transportschäden überprüfen. Sollte das Gerät einen Schaden aufweisen, benutzen Sie es nicht, sondern wenden Sie sich unverzüglich an Ihren Händler.
- **Wichtiger Hinweis:** Dieses Gerät hat das Werk unbeschädigt und gut verpackt verlassen. Es ist wichtig, dass der Benutzer sich streng an die Sicherheitshinweise und Warnungen in der Bedienungsanleitung hält. Schäden durch unsachgemäße Handhabung sind von der Garantie ausgeschlossen. Der Händler übernimmt keine Verantwortung für Schäden, die durch Nichtbeachtung der Bedienungsanleitung entstanden sind.
- Die Bedienungsanleitung zum zukünftigen Nachschlagen bitte an einem sicheren Ort aufbewahren. Bei Verkauf oder sonstiger Weitergabe des Geräts bitte die Bedienungsanleitung beifügen.

Packungsinhalt prüfen:

Bitte überprüfen Sie, ob die Verpackung folgende Artikel enthält:

- Bedienungshinweise
- COB PAR56-RGB
- Filterrahmen mit Objektiv (schmaler Strahl)

SICHERHEITSHINWEISE:

ACHTUNG: Um sich nicht der Gefahr eines elektrischen Schlags auszusetzen, entfernen Sie nicht die obere Abdeckung. Im Geräteinneren befinden sich keine vom Benutzer wartbaren Teile. Überlassen Sie Reparatur- und Wartungsarbeiten dem qualifizierten Kundendienst.



Das Blitzsymbol innerhalb eines gleichseitigen Dreiecks warnt den Benutzer vor nicht isolierter „gefährlicher Spannung“ im Innern des Produktgehäuses, die so stark sein kann, dass für Personen die Gefahr von Stromschlägen besteht.



Das Ausrufezeichen im Dreieck weist den Benutzer auf wichtige Bedienungs- und Wartungshinweise in den Dokumenten hin, die dem Gerät beiliegen.



Dieses Symbol bedeutet: Nur im Innenbereich.



Dieses Symbol bedeutet: Die Bedienungsanleitung lesen.



Dieses Symbol bedeutet: Das Gerät besitzt Schutzklasse I.



Dieses Symbol legt fest: Den minimalen Abstand von beleuchteten Objekten. Der minimale Abstand zwischen Projektor und dem beleuchteten Objekt muss mehr als x Meter betragen.



Das Gerät eignet sich nicht für die direkte Montage auf gängigen entflammenden Oberflächen. (Nur für die Montage auf nicht-brennbaren Oberflächen geeignet).



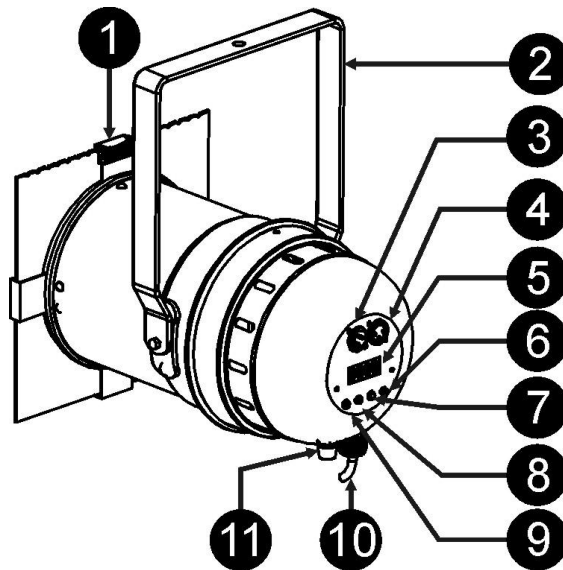
ACHTUNG: Nicht direkt in die Lichtquelle blicken. Das kann für die Augen schädlich sein.

- Aus Umweltschutzgründen die Verpackung bitte wiederverwenden oder richtig trennen.
- Zur Vermeidung von Feuer und Stromschlag Gerät weder Regen noch Feuchtigkeit aussetzen.
- Zur Vermeidung von Kondensation im Inneren des Geräts bitte nach dem Transport in einer warmen Umgebung einige Zeit zum Temperatenausgleich ausgeschaltet stehen lassen. Kondensation kann zu Leistungsverlust des Geräts oder gar Beschädigungen führen.
- Nur für den Einsatz im Innenbereich.
- Keine Metallgegenstände oder Flüssigkeiten ins Innere des Geräts gelangen lassen. Ein Kurzschluss oder eine Fehlfunktion können die Folge sein. Falls es doch einmal vorkommen sollte, bitte sofort den Netzstecker ziehen und vom Stromkreis trennen.
- Das Gerät nur an einem gut belüfteten Ort und entfernt von entflammenden Materialien oder Flüssigkeiten aufstellen. Der Beleuchtungskörper muss wenigstens 50 cm von allen Wänden entfernt montiert werden.
- Die Ventilationsöffnungen nicht abdecken, da Überhitzungsgefahr.
- Nicht in staubiger Umgebung verwenden und regelmäßig reinigen.
- Für Kinder unerreichbar aufbewahren.
- Unerfahrene Personen dürfen das Gerät nicht bedienen.
- Umgebungstemperatur darf 40°C nicht überschreiten. Das Gerät bei höheren Raumtemperaturen nicht verwenden.
- Stellen Sie sicher, dass sich während des Auf- oder Abbaus und der Wartung keine unbefugten Personen unterhalb des Geräts befinden.
- Lassen Sie das Gerät etwa 10 Minuten abkühlen, bevor Sie mit der Wartung beginnen.
- Stets den Netzstecker ziehen, wenn das Gerät für einen längeren Zeitraum nicht genutzt oder es gewartet wird.
- Die elektrische Installation darf nur von qualifiziertem Personal, unter Beachtung der Vorschriften zur elektrischen und mechanischen Sicherheit in Ihrem Land durchgeführt werden.
- Stellen Sie sicher, dass Netzspannung mit Geräteaufkleber übereinstimmt.
- Das Gerät nicht mit einem beschädigten Netzkabel in Betrieb nehmen. Wenn das Netzkabel gequetscht oder beschädigt wurde, schalten Sie das Gerät sofort aus. Im Falle von Beschädigungen muss das Netzkabel vom Hersteller, einem autorisierten Kundendienstmitarbeiter oder einer ähnlich qualifizierten Person ersetzt werden, um Gefährdungen zu vermeiden.
- Lassen Sie das Netzkabel niemals mit anderen Kabeln in Berührung kommen!
- Zur Einhaltung der Sicherheitsbestimmungen muss das Gerät geerdet sein.
- Das Gerät nicht an einen Dimmer anschließen.

- Ausschließlich vorschriftsmäßige Kabel zur Installation verwenden.
- Zur Vorbeugung gegen elektrische Schläge keine Abdeckungen entfernen. Im Geräteinneren befinden sich keine zu wartenden Teile.
- Eine Sicherung **niemals** reparieren oder überbrücken. **Stets** tauschen Sie eine beschädigte Sicherung gegen eine Sicherung gleichen Typs und gleicher Spezifikationen aus!
- Bei Fehlfunktion das Gerät nicht benutzen und sich mit dem Händler in Verbindung setzen.
- Bei sichtbaren Beschädigungen müssen Gehäuse und Optik ersetzt werden.
- Bei Transport bitte die Originalverpackung verwenden, um Schäden am Gerät zu vermeiden.
- Aus Sicherheitsgründen dürfen an dem Gerät keine unbefugten Veränderungen vorgenommen werden.

Wichtiger Hinweis: Nicht direkt in die Lichtquelle blicken! Das Gerät nicht verwenden, wenn sich Personen im Raum befinden, die unter Epilepsie leiden.

BESCHREIBUNG:



1. **FILTERRAHMEN-VERSCHLUSSKLAMMERN:** Falls Sie in einigen Fällen einen Strahl benötigen, der nicht so breit, aber heller ist, können Sie den Filterrahmen mit dem Objektiv installieren.
2. **HALTERUNG:** Mit Knopf zur Befestigung des Geräts und einer Montageöffnung, um einen Montagehaken zu befestigen.
3. **DMX EINGANG:** Die 3-polige XLR-Steckerbuchse verbindet den Projektor mit der nächsten Einheit der DMX-Kette.
4. **DMX AUSGANG:** Die 3-polige XLR-Buchse verbindet den Projektor mit der nächsten Einheit der DMX-Kette.
5. Das **DISPLAY** zeigt die verschiedenen Menüs und die gewählten Funktionen an.
6. **ABWÄRTS-Taste:** Verringern der auf dem Display angezeigten Werte.
7. **AUFWÄRTS-Taste:** Erhöhen der auf dem Display angezeigten Werte.
8. **ENTER-Taste:** Bestätigen Ihrer Auswahl oder um den Setupmodus einer Funktion aufzurufen.
9. **MODE-Taste:** Scrollen in den verschiedenen Funktionen im Menü.
10. **Netzspannung:** Mit 1,3 m Netzkabel.
11. **Sicherungshalter:** Stets tauschen Sie eine beschädigte Sicherung gegen eine Sicherung gleichen Typs und gleicher Spezifikationen aus!

ÜBERKOPF-MONTAGE

- **Wichtiger Hinweis:** Die Montage ausschließlich durch qualifiziertes Fachpersonal durchführen lassen. Unvorschriftsmäßiger Einbau kann erhebliche Verletzungen und/oder Schäden verursachen. Die Überkopf-Montage setzt die entsprechende Erfahrung voraus! Die Belastungsgrenzen müssen beachtet, geeignetes Installationsmaterial muss verwendet und das installierte Gerät muss in regelmäßigen Abständen überprüft werden.
- Stellen Sie sicher, dass sich während des Auf- oder Abbaus und der Wartung keine unbefugten Personen unterhalb des Geräts befinden.

- Das Gerät außerhalb der Reichweite von Personen und nicht in niedrigen Durchgängen oder in der Nähe von Sitzgelegenheiten installieren.
- Vor Montage sicherstellen, dass die gewählte Position wenigstens das 10-fache Gerätegewicht aufnehmen kann.
- Zur Aufhängung stets geeignetes Befestigungsmaterial verwenden, welches das 12-fache Gerätegewicht aushalten kann. Eine zweite Sicherungsaufhängung muss angebracht werden, die ein Absacken des Geräts von mehr als 20 cm verhindert, sollte die Befestigung brechen.
- Das Gerät gut befestigen. Eine freischwingende Aufhängung ist gefährlich und sollte auf gar keinen Fall in Betracht gezogen werden!
- Die Ventilationsöffnungen nicht abdecken, da Überhitzungsgefahr.
- Der Betreiber muss sicherstellen, dass die sicherheitsrelevanten und technischen Installationen vor Erstbetrieb fachmännisch vorgenommen worden sind. Installationen sollten jährlich durch qualifiziertes Fachpersonal überprüft werden, um jederzeit einen sicheren Betrieb zu gewährleisten.

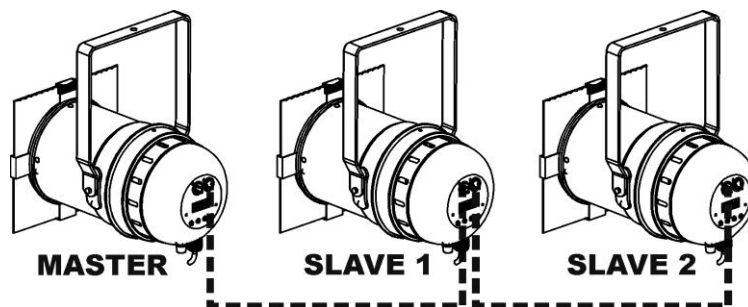
ELEKTRISCHE INSTALLATION

⚠ Wichtiger Hinweis: Die elektrische Installation darf nur von qualifiziertem Personal, unter Beachtung der Vorschriften zur elektrischen und mechanischen Sicherheit in Ihrem Land durchgeführt werden.

Montage einer Einzeleinheit:

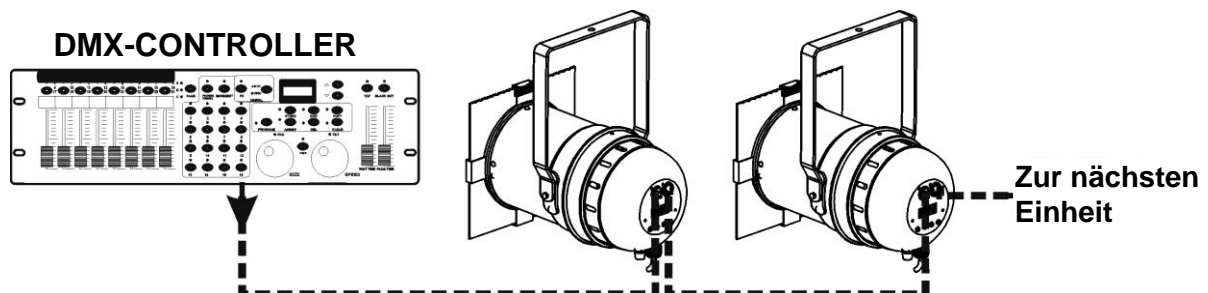
- Stecken Sie einfach den Netzstecker in eine Steckdose. Die Einheit startet sofort im zuletzt gewählten Modus.
- Schlagen Sie im Kapitel EINRICHTUNGSANLEITUNG nach, wie man zwischen den unterschiedlichen Betriebsarten wechselt.

Elektrische Installation von zwei oder weiteren Geräten im Master/Slave-Modus:



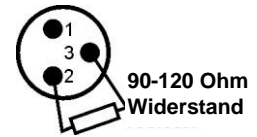
- Verbinden Sie mehrere Einheiten mittels hochwertiger symmetrischer XLR Mikrofonkabel. Das Gerät, bei dem am DMX-Eingang kein Kabel angeschlossen wurde, ist der „Master“, die übrigen sind die „Slave“-Einheiten.
- Stellen Sie sicher, dass alle Geräte an die Netzversorgung angeschlossen sind.
- Schlagen Sie im Kapitel „EINSTELLUNGSANLEITUNG“ für weitere Informationen nach.
- Fertig!

Elektrische Installation von zwei oder weiteren Einheiten im DMX-Modus:



- Das DMX-Protokoll ist ein gängiges Hochgeschwindigkeitssignal, um intelligente Lichtsysteme zu steuern. Sie müssen Ihren DMX-Controller und alle angeschlossenen Geräte mit einem hochwertigen symmetrischen Kabel hintereinander schalten (Daisy Chain).

- Um durch Interferenzen verursachte Fehlfunktionen der Lichteffekte zu vermeiden, müssen Sie die Kette mit einem 90Ω bis 120Ω Abschlusswiderstand abschließen. Verwenden Sie niemals Y-Splitter-Kabel, das funktioniert einfach nicht!
- Stellen Sie sicher, dass alle Geräte an die Netzversorgung angeschlossen sind.
- Jeder Lichteffekt in der Kette muss seine eigene Startadresse haben, damit er erkennt, welche Befehle des Controllers er entschlüsseln muss. In Abschnitt „EINSTELLUNGSANLEITUNG“ erfahren Sie, wie man die DMX-Adressen einstellt. Wenn Sie beispielsweise den 4-Kanal DMX-Modus verwenden, lautet eine mögliche Adresseneinrichtung: Einheit1 = 001, Einheit2 = 005, Einheit3 = 009, Einheit4 = 013 usw.



EINRICHTUNGSANLEITUNG:

HAUPTMENÜ:

- Um eine der Menüoptionen auszuwählen, drücken Sie mehrmals **MENU**, bis die gewünschte Option auf dem Display angezeigt wird.
- Wählen Sie die Funktion mit **ENTER**. Das Display blinkt.
- Wählen Sie mit den Tasten **ABWÄRTS** und **AUFWÄRTS** die gewünschte Menüoption.
- Sobald die gewünschte Menüoption gewählt wurde, bestätigen Sie mit **ENTER**.

DMX512 Adresseinstellung

Einstellen der Startadresse in der DMX-Einrichtung.

- Drücken Sie **MENU**, bis „**DMX MODE ADDR**“ im Display angezeigt wird.
- Zur Auswahl **ENTER** drücken.
- Ändern Sie nun mit den Tasten **ABWÄRTS** und **AUFWÄRTS** die DMX512-Adresse.
- Sobald die richtige Adresse im Display angezeigt wird, bestätigen Sie mit **ENTER**.

SLAVE-Modus

Einstellen der Einheit in den Slave-Modus, wenn Sie mit der Master-Einheit synchronisierte Effekte benötigen. (Wenn kein Controller verwendet wird und wenn die automatischen Programme der ersten Einheit laufen oder diese auf eine feste Farbe eingestellt ist)

- Drücken Sie die Taste **MENU** bis „**SLAVE**“ auf dem Display angezeigt wird.
- Zur Auswahl **ENTER** drücken.

Modus „SOUND“

Einstellung des automatischen Musikmodus.

- Drücken Sie die Taste **MENU**, bis „**SOUND SENS**“ auf dem Display angezeigt wird.
- Zur Auswahl **ENTER** drücken.
- Ändern Sie mit den Tasten **ABWÄRTS** und **AUFWÄRTS** die Empfindlichkeit des integrierten Mikrofons (00 = minimale Empfindlichkeit, 31 = maximale Empfindlichkeit).
- Sobald die richtige Empfindlichkeit im Display angezeigt wird, bestätigen Sie mit **ENTER**.

AUTOMATISCHE BETRIEBSARTEN:

Auswahl des Standalone-Modus, wenn kein DMX Controller angeschlossen ist.

- Drücken Sie die Taste **MENU**, bis **STATIC / CHANGE / CHANG3 / CFADE** auf dem Display angezeigt wird (je nach dem zuletzt verwendeten Modus).
- Zur Auswahl **ENTER** drücken.
- Wechseln Sie mit den Tasten **ABWÄRTS** und **AUFWÄRTS** die automatische Betriebsart.
- Zur Auswahl **ENTER** drücken. → Sie können nun für jeden Modus unterschiedliche Werte einstellen:

1. **STATIC COLOR**

Dient zum Festlegen einer fest eingestellten Farbe für den Projektor.

- Ändern Sie mit den Tasten **ABWÄRTS** und **AUFWÄRTS** die Intensität der Farbe Rot (R auf dem Display).
- Drücken Sie zur Bestätigung die Taste **ENTER** →. Jetzt können Sie die Intensität der nächsten Farbe einstellen.
- Ändern Sie mit den Tasten **ABWÄRTS** und **AUFWÄRTS** die Intensität der Farbe Grün (G auf dem Display).
- Drücken Sie zur Bestätigung die Taste **ENTER** →. Jetzt können Sie die Intensität der nächsten Farbe einstellen.

- Ändern Sie mit den Tasten ABWÄRTS und AUFWÄRTS die Intensität der Farbe Blau (B auf dem Display).
- Drücken Sie zur Bestätigung die Taste ENTER →. Jetzt können Sie die Geschwindigkeit für die Stroboskopfunktion einstellen.
- Ändern Sie mit den Tasten ABWÄRTS und AUFWÄRTS die Blitzfrequenz (F auf dem Display).
- Bestätigen Sie abschließend mit der Taste ENTER.

2. **CHANGE**

Einstellen des ersten Farbwechslersmodus. (Alle Farben).

- Stellen Sie mit den Tasten ABWÄRTS und AUFWÄRTS die Geschwindigkeit des Farbwechslers ein (SP auf dem Display).
- Drücken Sie zur Bestätigung die Taste ENTER →. Jetzt können Sie die Geschwindigkeit für die Stroboskopfunktion einstellen.
- Ändern Sie mit den Tasten ABWÄRTS und AUFWÄRTS die Blitzfrequenz (F auf dem Display).
- Bestätigen Sie abschließend mit der Taste ENTER.

3. **CHANG3**

Einstellen des zweiten Farbwechslersmodus. (Nur die 3 Grundfarben: Rot-Grün-Blau).

- Stellen Sie mit den Tasten ABWÄRTS und AUFWÄRTS die Geschwindigkeit des Farbwechslers ein (SP auf dem Display).
- Drücken Sie zur Bestätigung die Taste ENTER →. Jetzt können Sie die Geschwindigkeit für die Stroboskopfunktion einstellen.
- Ändern Sie mit den Tasten ABWÄRTS und AUFWÄRTS die Blitzfrequenz (F auf dem Display).
- Bestätigen Sie abschließend mit der Taste ENTER.

4. **CFADE**

Einstellen des Farbfader-Modus.

- Stellen Sie mit den Tasten ABWÄRTS und AUFWÄRTS die Geschwindigkeit des Farbfaders ein (SP auf dem Display).
- Drücken Sie zur Bestätigung die Taste ENTER →. Jetzt können Sie die Geschwindigkeit für die Stroboskopfunktion einstellen.
- Ändern Sie mit den Tasten ABWÄRTS und AUFWÄRTS die Blitzfrequenz (F auf dem Display).
- Bestätigen Sie abschließend mit der Taste ENTER.

BLACKOUT

Wählt das Verhalten des Projektors, wenn DMX ausfällt (kein DMX erkannt).

- Drücken Sie die Taste MODE, bis „BLACKOUT“ auf dem Display angezeigt wird.
- Wechseln Sie mit ABWÄRTS und AUFWÄRTS zwischen:
 - **BLACKOUT:** Wenn kein DMX erkannt wurde, wird Schwarz ausgegeben.
 - **FREEZE:** Die Ausgabe des Projektors wird auf Grundlage des letzten gültigen DMX-Signals gehalten.

Hinweis: Sobald der Eingang ein DMX-Signal erkennt, wird der Blackout- oder Freeze-Modus abgebrochen.

DIMMER RESPONSE

Wählen Sie den Dimmer-Modus aus, den Sie mit Ihrem DMX-Controller verwenden möchten.

- Drücken Sie MENU, bis „DIMMER RESPON“ im Display angezeigt wird.
- Zur Auswahl ENTER drücken.
- Wählen Sie mit ABWÄRTS und AUFWÄRTS den Dimmer-Modus, den Sie verwenden möchten.
- Sobald der richtige Modus im Display angezeigt wird, bestätigen Sie mit ENTER.

DMX Kanalmodus

Das Gerät verfügt über 3 verschiedene DMX-Kanalmodi. Mit dieser Funktion können Sie den DMX-Modus wählen, den Sie verwenden möchten. Schlagen Sie in der DMX-Tabelle für die Unterschiede nach.

- Drücken Sie MENU, bis „CHANNEL CH“ im Display angezeigt wird.
- Zur Auswahl ENTER drücken.
- Wählen Sie mit den Tasten ABWÄRTS und AUFWÄRTS einen der möglichen Kanal-Modi.
- Sobald der gewünschte Modus eingestellt wurde, bestätigen Sie diesen mit ENTER.

BEDIENUNGSHINWEISE

A. Standalone 1 Gerät:

- Schließen Sie einfach den Projektor an eine Steckdose an.
- Wählen Sie einen der automatischen Modi (**STATIC / CHANGE / CHANG3 / CFADE**) oder wählen Sie den musikgesteuerten Modus (**SOUND SENS**)
- Schlagen Sie im Kapitel EINRICHTUNGSANLEITUNG nach, wie man die vorhergehenden Einstellungen vornimmt.

B. Zwei oder weitere Geräte in der Master/Slave-Einstellung:

- Schließen Sie alle Geräte zusammen. Im Kapitel „Elektrische Installation“ erfahren Sie mehr darüber.
- Wählen Sie einen der automatischen Modi (**STATIC / CHANGE / CHANG3 / CFADE**) oder wählen Sie den musikgesteuerten Modus (**SOUND SENS**) am Master (der erste Projektor in der DMX-Kette)
- Stellen Sie alle anderen Projektoren in den Slave-Modus.
- Die Projektoren folgen jetzt dem Programm des Master-Projektors, so dass alle synchron arbeiten.

C. Steuerung mittels Universal-DMX-Controller:

- Schließen Sie alle Geräte zusammen. Im Kapitel „Elektrische Installation von zwei oder weiteren Einheiten im DMX-Modus“ erfahren Sie mehr darüber (vergessen Sie nicht, alle Geräte richtig zu adressieren!)
- Anschließend schließen Sie alle Geräte an die Stromversorgung an und schalten Sie den DMX-Controller ein.

Da jedes Gerät eine eigene DMX-Adresse besitzt, können Sie die Geräte einzeln steuern. Denken Sie daran, dass jede Einheit 3, 4 oder 5 DMX-Kanäle verwendet, abhängig vom DMX-Modus, den Sie in diesem Menü gewählt haben. Siehe die folgenden unterschiedlichen DMX-Tabellen:

DMX-Tabelle für den 3-Kanal DMX-Modus

Kanal:	Wert:	Funktion:
1	000-255	Rot (0-100%)
2	000-255	Grün (0-100%)
3	000-255	Blau (0-100%)

DMX-Tabelle für den 4 Kanal DMX-Modus

Kanal:	Wert:	Funktion:
1	000-255	Rot (0-100%)
2	000-255	Grün (0-100%)
3	000-255	Blau (0-100%)
4	000-190	Master-Dimmer
	191-200	Musiksteuerung (7 Farben)
	201-247	Stroboskop (Frequenz zunehmend)
	248-255	Master-Dimmer

DMX-Tabelle für den 5-Kanal DMX-Modus

Kanal:	Wert:	Funktion:
1	000-255	Rot (0-100%)
2	000-255	Grün (0-100%)
3	000-255	Blau (0-100%)
4	000-255	Master-Dimmer (0-100%)
5	000-004	EIN
	005-024	Musiksteuerung (7 Farben)
	025-034	EIN
	035-255	Stroboskop (Frequenz zunehmend)

PFLEGE

- Stellen Sie sicher, dass sich keine unbefugten Personen unterhalb des Geräts befinden, während es gewartet wird.
- Schalten Sie das Gerät aus, ziehen Sie den Netzstecker und warten Sie, bis es sich abgekühlt hat.

Während der Wartung sind folgende Punkte ganz besonders zu beachten:

- Sämtliche Schrauben zur Installation und Befestigung der gesamten Teile müssen fest angezogen und rostfrei sein.
- Gehäuse, Befestigungsmaterialien und Aufhängungen (Decke, Balken, abgehängte Decken) dürfen keine Anzeichen von Verformung aufweisen.
- Wenn die Optik sichtbar beschädigt ist (Sprünge oder tiefe Kratzer), dann müssen die entsprechenden Teile ausgetauscht werden.
- Das Netzkabel muss stets in einwandfreiem Zustand sein und selbst bei kleinsten Beschädigungen erneuert werden.
- Zur Vermeidung von Überhitzung müssen die Ventilatoren (sofern vorhanden) und Lüftungsschlitze monatlich gereinigt werden.
- Das Geräteinnere mindestens einmal pro Jahr mit einem Staubsauger oder einer Luftdüse reinigen.
- Die Reinigung der inneren und äußeren optischen Linsen und/oder Spiegel muss in regelmäßigen Abständen zur Beibehaltung einer optimalen Lichtausbeute vorgenommen werden. Die Häufigkeit der Reinigung hängt von der Umgebung ab, in welcher die Beleuchtungskörper eingesetzt sind: feuchte, verräucherte oder besonders verschmutzte Umgebungen führen zu einer stärkeren Verschmutzung der Optik der Geräte.
 - Mit einem weichem Tuch und gewöhnlichem Glasreiniger säubern.
 - Alle Teile stets gut abtrocknen.

Achtung: Wir empfehlen dringend, die Reinigung des Geräteinneren nur von qualifiziertem Personal durchführen zu lassen!

TECHNISCHE DATEN

Netzspannung:	110-250VAC, 50/60Hz
Leistungsaufnahme:	120 Watt
Sicherung:	250 V, 2A, träge (20 mm Glas)
Musiksteuerung:	Eingebautes Mikrofon
DMX-Anschlüsse:	XLR 3-polig
LEDs:	100W COB LED
Abstrahlwinkel:	50°
Abmessungen:	240x240x400 mm
Gewicht:	2,9 kg

**Diese Angaben können sich ohne vorherige Ankündigung geändert werden
Sie können sich die neueste Version dieses Benutzerhandbuches von unserer Website
herunterladen: www.briteq-lighting.com**

MANUAL DE INSTRUCCIONES

Gracias por comprar este producto de BRITEQ®. Para aprovechar al máximo todas las posibilidades y para su propia seguridad, lea detenidamente este manual de instrucciones antes de comenzar a utilizar la unidad.

CARACTERÍSTICAS

Esta unidad tiene supresión de radio interferencia. Este producto cumple con todas las exigencias de las pautas actuales, tanto europeas como nacionales. Dicha conformidad ha sido establecida y los dictámenes y documentos han sido consignados por el fabricante.

- Este dispositivo fue diseñado para producir efectos de iluminación decorativa y se utiliza en sistemas de espectáculos de iluminación.
- LED PARCAN de gran potencia, perfecto para empresas de alquiler, discotecas, DJ profesionales, etc.
- Utiliza un potente LED de 100W RGB COB en un armazón PAR clásico.
- Una mezcla de colores absolutamente perfecta y un haz muy amplio de 50°.
- El marco del filtro con la lente especial se puede utilizar para crear un haz más estrecho y potente.
- Funciona en modo autónomo y en modo master/slave:
 - Cree su color fijo estático
 - Suave fundido automático de colores con control manual de velocidad
 - Cambio automático de color con control manual de velocidad
 - Cambio de color controlado por el sonido con control manual de sensibilidad para el micrófono integrado
- Controlado por DMX: hay disponibles 3 modos diferentes:
 - Modo de 3 canales DMX: R, V, A
 - Modo de 4 canales DMX: R, V, A + Atenuador/seguimiento del sonido/estrobo
 - Modo de 5 canales DMX: R, V, A, Atenuador master/estrobo

ANTES DEL USO

- Antes de comenzar a utilizar esta unidad, compruebe si no ha sufrido daños durante el transporte. Si hubiera alguno, no utilice el dispositivo y consulte primero con su distribuidor.
- **Importante:** Este dispositivo salió de nuestra fábrica en perfectas condiciones y bien embalado. Es absolutamente necesario que se obedezcan al pie de la letra las instrucciones y advertencias de seguridad que aparecen en este manual de usuario. Cualquier daño causado por una mala manipulación no estará cubierto por la garantía. El distribuidor no aceptará ninguna responsabilidad por defectos o problemas resultantes causados por no obedecer lo indicado en este manual de usuario.
- Mantenga este folleto en un lugar seguro para futuras consultas. Si vende este equipo, asegúrese de incluir este manual de usuario.

Compruebe el contenido:

Compruebe que el embalaje contiene los siguientes elementos:

- Instrucciones de funcionamiento
- COB PAR56-RGB
- Marco de filtro con lente (haz estrecho)

INSTRUCCIONES DE SEGURIDAD:



PRECAUCIÓN: Para reducir el riesgo de descarga eléctrica, no retire la cubierta superior. Dentro no hay componentes que requieran de servicio por parte del usuario. Para todo tipo de servicio refiérase solamente a personal cualificado.



El símbolo de relámpago con punta de flecha dentro de un triángulo equilátero advierte al usuario de la presencia de una "tensión peligrosa" no aislada dentro de la carcasa del sistema que puede ser de una magnitud suficiente como para constituir un riesgo de descarga eléctrica.



El signo de admiración dentro de un triángulo equilátero advierte al usuario de la presencia de instrucciones importantes relacionadas con la operación y el mantenimiento en la literatura que se entrega junto con el equipo.



Este símbolo significa: sólo para uso en interiores.



Este símbolo significa: Lea las instrucciones.



Este símbolo significa: Equipo eléctrico de seguridad Clase I.



Este símbolo determina: la distancia mínima desde los objetos iluminados. La distancia mínima entre la salida de luz y la superficie iluminada debe ser mayor de "x" metros.



El dispositivo no es adecuado para el montaje directo sobre superficies normalmente inflamables. (es adecuado solamente para el montaje sobre superficies no combustibles).



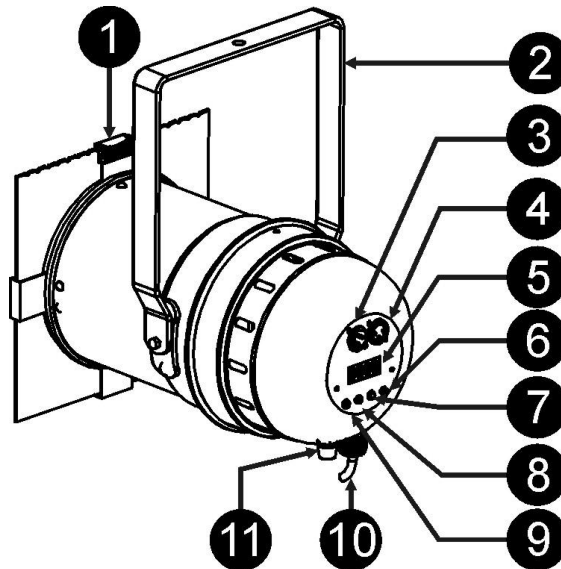
PRECAUCIÓN: No mire a las lámparas cuando estén encendidas. Pueden dañar la vista.

- Para proteger el medio ambiente, intente reciclar el material del embalaje en la mayor medida posible.
- Para evitar el riesgo de incendio o de descarga eléctrica, no exponga este electrodoméstico a la lluvia ni a la humedad.
- Para evitar que se forme condensación en el interior del equipo, permita que la unidad se adapte a la temperatura ambiental cuando se lleve a una habitación cálida después del transporte. La condensación impide a veces que la unidad trabaje a plena capacidad e incluso puede causar daños.
- Esta unidad es solamente para uso en interiores.
- No coloque objetos metálicos ni derrame líquidos dentro de la unidad. Puede dar como resultado una descarga eléctrica o un mal funcionamiento. Si un objeto extraño se introduce dentro de la unidad, desconecte de inmediato la alimentación eléctrica.
- Ubique el accesorio en un punto bien ventilado, lejos de materiales y/o líquidos inflamables. El aparato debe fijarse por lo menos a 50cm de las paredes circundantes.
- No cubra ninguna abertura de ventilación ya que esto puede provocar sobrecalentamiento.
- Evite emplearlo en ambientes polvorientos; limpie la unidad con regularidad.
- Mantenga la unidad lejos de los niños.
- Este equipo no debe ser utilizado por personas inexpertas.
- La temperatura ambiente máxima segura es de 40°C. No utilice esta unidad a temperaturas ambiente mayores que ésta.
- Asegúrese de que el área que se encuentra bajo el lugar de instalación esté libre de personas no autorizadas durante su elevación, descenso y reparación.
- Deje transcurrir alrededor de 10 minutos para que el dispositivo se enfríe antes de comenzar a darle servicio.
- Siempre desenchufe la unidad cuando no se vaya a utilizar durante un período de tiempo prolongado o cuando se le vaya a dar servicio.
- La instalación eléctrica debe realizarla solamente personal cualificado, de acuerdo con las regulaciones para la seguridad eléctrica y mecánica de su país.
- Compruebe que la tensión disponible sea la indicada en la unidad.
- El cable de alimentación debe estar siempre en perfectas condiciones. Apague de inmediato la unidad cuando el cable de alimentación esté aplastado o dañado. Si el cable de alimentación está dañado, debe ser sustituido por el fabricante, por su representante de servicio o por una persona de cualificación similar para evitar un accidente.
- ¡Nunca permita que el cable de alimentación haga contacto con otros cables!
- Este aparato debe conectarse a tierra para cumplir con las regulaciones de seguridad.
- No conecte la unidad a un dispositivo de atenuación.
- Cuando instale la unidad utilice siempre un cable de seguridad apropiado y certificado.
- Para evitar descargas eléctricas, no abra la cubierta. Dentro no hay componentes que requieran de servicio por parte del usuario.
- **Nunca** repare un fusible o puentee el soporte del fusible. ¡**Siempre** sustituya un fusible dañado con otro del mismo tipo y las mismas especificaciones eléctricas!
- En el caso de que haya serios problemas de funcionamiento, detenga el uso del aparato y contacte inmediatamente con su concesionario.

- La carcasa y las lentes deben sustituirse si están visiblemente dañadas.
- Utilice el embalaje original cuando haya que transportar el dispositivo.
- Debido a razones de seguridad, está prohibido realizar modificaciones no autorizadas a la unidad.

Importante: ¡Nunca mire directamente a la fuente de luz! No utilice el efecto en presencia de personas que padezcan de epilepsia.

DESCRIPCIÓN:



1. **FIJACIONES DEL MARCO DEL FILTRO:** si en algunos casos necesita un haz no tan amplio pero con más salida de luz, puede instalar el marco del filtro con la lente.
2. **SOPORTE:** con un mando para apretar la unidad y un orificio de montaje para fijar un gancho de montaje.
3. **ENTRADA DMX:** conector macho XLR de 3 terminales empleado para conectar el proyector con el controlador DMX o con la unidad anterior de la cadena DMX.
4. **SALIDA DMX:** conector hembra XLR de 3 terminales empleado para conectar el proyector con la siguiente unidad de la cadena DMX.
5. **PANTALLA** muestra los diferentes menús y las funciones seleccionadas.
6. **Botón ABAJO:** para disminuir los valores mostrados en pantalla.
7. **Botón ARRIBA:** para aumentar los valores mostrados en pantalla.
8. **Botón ENTER:** se utiliza para confirmar su elección o para entrar al modo de configuración de una función.
9. **Botón MODE:** se utiliza para navegar por las diferentes funciones del menú
10. **Entrada de alimentación:** equipado con un cable de alimentación de red de 1.3m.
11. **Soporte del fusible:** ¡siempre sustituya un fusible dañado con otro del mismo tipo y las mismas especificaciones eléctricas!

ELEVACIÓN SOBRE CABEZA

- **Importante:** La instalación debe efectuarla solamente personal de servicio cualificado. Una instalación no adecuada puede dar como resultado lesiones serias y/o daños a la propiedad. ¡La elevación sobre cabeza requiere una experiencia extensa! Deben respetarse los límites de carga de trabajo, deben utilizarse materiales de instalación certificados, el dispositivo instalado debe inspeccionarse con regularidad por motivos de seguridad.
- Asegúrese de que el área que se encuentra bajo el lugar de instalación esté libre de personas no autorizadas durante su elevación, descenso y reparación.
- El dispositivo debe instalarse fuera del alcance de las personas y fuera de las áreas donde haya paso de personas o donde éstas permanezcan sentadas.
- Antes de efectuar la elevación, asegúrese de que el área de instalación pueda sostener una carga puntual mínima de 10 veces el peso del dispositivo.

- Cuando instale la unidad, utilice siempre un cable de elevación certificado que pueda sostener 12 veces el peso del dispositivo. Esta segunda fijación de seguridad debe instalarse de forma que ninguna parte de la instalación pueda caer más de 20cm si la fijación principal falla.
- El dispositivo debe fijarse bien, ¡un montaje de libre oscilación es peligroso y no debe considerarse!
- No cubra ninguna abertura de ventilación ya que esto puede provocar sobrecalentamiento.
- El operador tiene que estar seguro de que las instalaciones relacionadas con la seguridad y con la técnica de la máquina sean aprobadas por un experto antes de utilizarlas por primera vez. Las instalaciones deben inspeccionarse anualmente por una persona con experiencia para asegurarse de que la seguridad es óptima.

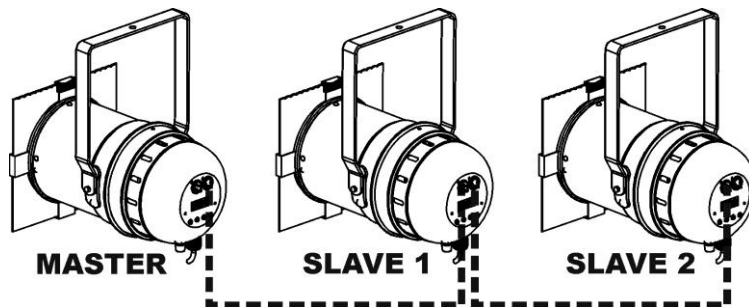
INSTALACIÓN ELÉCTRICA

⚠ Importante: La instalación eléctrica debe realizarla solamente personal cualificado, de acuerdo con las regulaciones para la seguridad eléctrica y mecánica de su país.

Instalación eléctrica para 1 unidad autónoma:

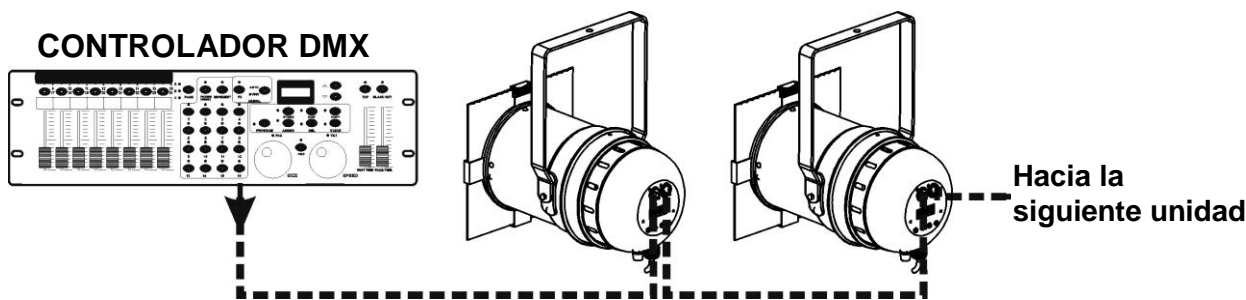
- Inserte el cable de alimentación. La unidad comienza a funcionar inmediatamente en el último modo seleccionado.
- Consulte el capítulo CÓMO CONFIGURARLO para aprender a conmutar entre los distintos modos de funcionamiento.

Instalación eléctrica para dos o más unidades en el modo master/slave:



- Conecte varias unidades entre sí mediante cables de micrófono equilibrados de buena calidad. La unidad que no tenga ningún cable conectado a su entrada DMX es la "master", las demás son las unidades slave.
- Asegúrese de que todas las unidades estén conectadas a la alimentación.
- Consulte el capítulo CÓMO CONFIGURARLO para más información.
- ¡Hecho!

Instalación eléctrica para dos o más unidades en modo DMX:



- El protocolo DMX es una señal de alta velocidad ampliamente utilizada para controlar equipamiento de iluminación inteligente. Tiene que encadenar el controlador DMX y todas las unidades conectadas con un cable balanceado de buena calidad.
- Para evitar un comportamiento extraño de los efectos de luces debido a interferencias, debe utilizar un terminador de 90Ω a 120Ω al final de la cadena. Nunca utilice cables repartidores Y, ¡esto simplemente no funcionará!
- Asegúrese de que todas las unidades estén conectadas a la alimentación.



- Cada dispositivo de efectos de luces de la cadena tiene que tener su propia dirección de inicio, de manera que sepa qué comandos procedentes del controlador tiene que decodificar. En la sección CÓMO CONFIGURARLO aprenderá cómo establecer las direcciones DMX. Si, por ejemplo, utiliza el modo de 4 canales DMX, una posible configuración de direcciones sería: unidad1 = 001 ~ unidad2 = 005 ~ unidad3 = 009 ~ unidad4 = 013 ~ etc.

CÓMO CONFIGURARLO:

MENÚ PRINCIPAL:

- Para seleccionar alguna de las opciones del menú, pulse el botón **MENU** hasta que aparezca en la pantalla la opción deseada.
- Seleccione la función con el botón **ENTER**. La pantalla parpadeará.
- Utilice los botones ABAJO y ARRIBA para escoger la opción deseada del menú.
- Una vez seleccionada la opción deseada del menú, pulse el botón **ENTER** para confirmar.

Configuración de la Dirección DMX512

Se utiliza para establecer la dirección de inicio en una configuración DMX.

- Pulse el botón MENU hasta que “**DMX MODE ADDR**” aparezca en pantalla.
- Pulse el botón ENTER para seleccionar.
- Utilice los botones ABAJO y ARRIBA para cambiar la dirección DMX512.
- Una vez aparezca en la pantalla la dirección correcta, pulse el botón ENTER para confirmar.

MODOS SLAVE

Se utiliza para establecer la unidad en modo slave cuando desee tener efectos sincronizados con la unidad master. (cuando no se utiliza controlador y la primera unidad ejecuta sus programas automáticos o está establecida en un color fijo).

- Pulse el botón MENU hasta que se muestre en la pantalla “**SLAVE**”.
- Pulse el botón ENTER para seleccionar.

MODOS DE SONIDO

Se utiliza para establecer el modo de Sonido automático.

- Pulse el botón MENU “**SOUND SENS**” que se muestre en pantalla.
- Pulse el botón ENTER para seleccionar.
- Utilice los botones ABAJO y ARRIBA para cambiar la sensibilidad del micrófono integrado (00 = sensibilidad mínima, 31 = sensibilidad máxima).
- Una vez aparezca en la pantalla la sensibilidad correcta, pulse el botón ENTER para confirmar.

MODOS DE FUNCIONAMIENTO AUTOMÁTICO:

Se utiliza para seleccionar el modo de funcionamiento autónomo que desea utilizar cuando no haya conectado ningún controlador DMX.

- Pulse el botón MENU hasta que en la pantalla aparezca **STATIC / CHANGE / CHANG3 / CFADE** (dependiendo del último modo utilizado).
- Pulse el botón ENTER para seleccionar.
- Utilice los botones ABAJO Y ARRIBA para cambiar el modo de funcionamiento automático.
- Pulse el botón ENTER para seleccionar. → para cada Modo, puede establecer diferentes valores:

1. COLOR STATIC

Se utiliza para establecer un color estático para el proyector.

- Utilice los botones ABAJO y ARRIBA para cambiar la intensidad del color Rojo (R en la pantalla).
- Pulse ENTER para confirmar → ahora puede establecer la intensidad del siguiente color.
- Utilice los botones ABAJO y ARRIBA para cambiar la intensidad del color Verde (G en la pantalla).
- Pulse ENTER para confirmar → ahora puede establecer la intensidad del siguiente color.
- Utilice los botones ABAJO y ARRIBA para cambiar la intensidad del color Azul (B en la pantalla).
- Pulse ENTER para confirmar → ahora puede establecer la velocidad de la función estroboscópica.
- Utilice los botones ABAJO y ARRIBA para cambiar la tasa de destellos (F en la pantalla).
- Cuando haya terminado, pulse el botón ENTER para confirmar.

2. **CHANGE**

Se utiliza para establecer el primer modo de cambio de color. (todos los colores).

- Utilice los botones ABAJO y ARRIBA para establecer la velocidad del cambiador de color (SP en la pantalla).
- Pulse ENTER para confirmar → ahora puede establecer la velocidad de la función estroboscópica
- Utilice los botones ABAJO y ARRIBA para cambiar la tasa de destellos (F en la pantalla).
- Cuando haya terminado, pulse el botón ENTER para confirmar.

3. **CHANG3**

Se utiliza para establecer el segundo modo de cambio de color. (sólo los 3 colores básicos: Rojo-Verde-Azul)

- Utilice los botones ABAJO y ARRIBA para establecer la velocidad del cambiador de color (SP en la pantalla).
- Pulse ENTER para confirmar → ahora puede establecer la velocidad de la función estroboscópica.
- Utilice los botones ABAJO y ARRIBA para cambiar la tasa de destellos (F en la pantalla).
- Cuando haya terminado, pulse el botón ENTER para confirmar.

4. **CFADE**

Se utiliza para establecer el modo de fundido de color.

- Utilice los botones ABAJO y ARRIBA para establecer la velocidad del fundido de color (SP en la pantalla).
- Pulse ENTER para confirmar → ahora puede establecer la velocidad de la función estroboscópica.
- Utilice los botones ABAJO y ARRIBA para cambiar la tasa de destellos (F en la pantalla).
- Cuando haya terminado, pulse el botón ENTER para confirmar.

APAGADO

Se utiliza para seleccionar el comportamiento del proyector cuando falla el DMX (no se detecta DMX).

- Pulse el botón MODE hasta que se muestre en la pantalla "BLACKOUT".
- Utilice los botones ABAJO y ARRIBA para alternar entre:
 - **BLACKOUT**: la salida se queda en negro mientras no se detecte DMX.
 - **FREEZE**: la señal basada en la última señal DMX se mantiene en el proyector.

Nota: en el momento en el que se detecte una señal DMX, el modo apagado o el congelado se cancelarán.

RESPUESTA DEL ATENUADOR

Se utiliza para seleccionar el modo de atenuación que desea utilizar con su controlador DMX.

- Pulse el botón MENU, hasta que aparezca "DIMMER RESPON" en la pantalla.
- Pulse el botón ENTER para seleccionar.
- Utilice los botones ABAJO y ARRIBA para seleccionar el modo de atenuación que desee utilizar.
- Una vez aparezca en la pantalla el modo correcto, pulse el botón ENTER para confirmar.

Modo de canal DMX

La unidad dispone de 3 modos de canal DMX diferentes. Con esta función puede escoger el modo DMX que desee utilizar. Consulte las tablas DMX para ver las diferencias.

- Pulse el botón MENU hasta que "CHANNEL CH" aparezca en pantalla.
- Pulse el botón ENTER para seleccionar.
- Utilice los botones ABAJO y ARRIBA para seleccionar uno de los modos de canal disponibles.
- Una vez haya seleccionado el modo, pulse el botón ENTER para confirmar.

INSTRUCCIONES DE FUNCIONAMIENTO

A. **Una unidad autónoma:**

- Simplemente conecte el proyector a la alimentación.
- Seleccione uno de los modos automáticos (**STATIC / CHANGE / CHANG3 / CFADE**) o seleccione el modo controlado por sonido (**SOUND SENS**)
- Consulte el capítulo CÓMO CONFIGURARLO para aprender cómo realizar los ajustes previos.

B. **Dos o más unidades en configuración master/slave:**

- Conecte todas las unidades entre sí. Consulte el capítulo "instalación eléctrica" para aprender cómo hacerlo.

- Seleccione uno de los modos automáticos (**STATIC / CHANGE / CHANG3 / CFADE**) o seleccione el modo controlado por sonido (**SOUND SENS**) en el master (el primer proyector de la cadena DMX)
- Establezca todos los demás proyectores en modo SLAVE.
- Ahora los proyectores seguirán el programa del proyector master, de forma que funcionarán sincronizados.

C. Controlado por el controlador universal DMX:

- Conecte todas las unidades entre sí. Consulte el capítulo “Instalación eléctrica para dos o más unidades en modo DMX” para aprender cómo hacerlo (¡no olvide direccionar correctamente todas las unidades!)
- Conecte todas las unidades a la alimentación y encienda el controlador DMX.
Como cada unidad tiene su propia dirección DMX, puede controlarlas individualmente. Recuerde que cada unidad utiliza 3, 4 o 5 canales DMX, dependiendo del modo DMX que haya seleccionado en el menú. Vea a continuación las diferentes tablas DMX:

Tabla DMX para el modo de 3 canales DMX

Canal:	Valor:	Función:
1	000-255	Rojo (0-100%)
2	000-255	Verde (0-100%)
3	000-255	Azul (0-100%)

Tabla DMX para el modo de 4 canales DMX

Canal:	Valor:	Función:
1	000-255	Rojo (0-100%)
2	000-255	Verde (0-100%)
3	000-255	Azul (0-100%)
4	000-190	Atenuador master
	191-200	Control por sonido (7 colores)
	201-247	Estrobo (creciente)
	248-255	Atenuador master

Tabla DMX para el modo de 5 canales DMX

Canal:	Valor:	Función:
1	000-255	Rojo (0-100%)
2	000-255	Verde (0-100%)
3	000-255	Azul (0-100%)
4	000-255	Atenuador master (0-100%)
5	000-004	ENCENDIDO
	005-024	Control por sonido (7 colores)
	025-034	ENCENDIDO
	035-255	Estrobo (creciente)

MANTENIMIENTO

- Asegúrese de que el área que se encuentra bajo el lugar de instalación esté libre de personas no autorizadas durante el mantenimiento.
- Apague la unidad, desenchufe el cable de alimentación y espere hasta que se enfríe.

Durante la inspección deben revisarse los puntos siguientes:

- Todos los tornillos utilizados para la instalación del dispositivo y cualquiera de sus componentes deben estar bien apretados y no pueden estar corroídos.
- Las carcasas, fijaciones y puntos de instalación (techo, estructuras truss, suspensiones) deben estar totalmente libres de cualquier deformación.
- Cuando una lente óptica está visiblemente dañada debido a grietas o arañazos profundos, debe sustituirse.
- Los cables de alimentación deben estar en condiciones impecables y deben sustituirse inmediatamente incluso si se detecta un problema pequeño.
- Para proteger el dispositivo contra el sobrecalentamiento, los ventiladores de enfriamiento (si hay alguno) y las aberturas de ventilación deben limpiarse mensualmente.
- El interior del dispositivo debe limpiarse anualmente utilizando una aspiradora o un chorro de aire.
- La limpieza de las lentes ópticas y/o espejos internos y externos debe efectuarse periódicamente para optimizar la salida de la luz. La frecuencia de limpieza depende del entorno en el que opera el aparato; entornos húmedos, con humo o especialmente sucios pueden provocar una mayor acumulación de suciedad en los componentes ópticos de la unidad.
 - Límpielo con un paño suave utilizando productos normales para la limpieza del vidrio.
 - Siempre seque cuidadosamente las piezas.

Atención: ¡Recomendamos enfáticamente que la limpieza se lleve a cabo por personal cualificado!

ESPECIFICACIONES

Entrada de alimentación:	110-250Vac, 50/60Hz
Consumo de potencia:	120 Vatios
Fusible:	250V 2A retardado (cristal 20mm)
Control por Sonido:	Micrófono interno
Conexiones DMX:	XLR de 3 pines
LED:	LED de 100W COB
Ángulo del haz:	50°
Tamaño:	240x240x400mm
Peso:	2.9kg

Esta información está sujeta a cambios sin notificación previa
Puede descargar la versión más reciente de este manual de usuario en nuestro sitio Web:
www.briteq-lighting.com



WWW.BRITEQ-LIGHTING.COM

Copyright © 2013 by BEGLEC NV

't Hofveld 2C ~ B1702 Groot-Bijgaarden ~ Belgium

Reproduction or publication of the content in any manner, without express permission of the publisher, is prohibited.