



ARENA

PC

A 2.0kW / 2.5kW luminaire using a 200mm PC lens.

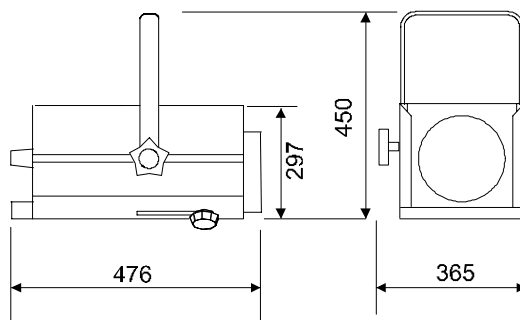
The beam has greater clarity with less spill than that of a Fresnel.

The Arena PC offers superior light output, strength and performance.

FEATURES

- Well controlled 'punchy' PC beam with little spill.
- Wide range of beam angle from 4.5° to 60°.
- Adjustable yoke balance point.
- 'Swing-down' door for easy access to lamp or cleaning. Isolates the mains supply when opened.
- Choice of GY16 lamp socket for CP72, 2.0kW lamp or G22 lamp socket for CP91 2.5kW or CP92, 2.0kW lamp.
- Smooth focus movement by 'posi-slide' focus system. No metal to metal contact.
- Constructed of pressure die-castings and aluminium extrusion.
- Effective airflow maintains lower body temperature.
- Fully tested and compliant to CE standards.

PHYSICAL DATA



- Weight:** 10.2kg
- Packed Weight:** 11.4kg
- Carton Size:** 310 x 375 x 630
- Carton Size Cubic:** 0.073
- Colour Frame Size:** 245mm x 245mm
- Included:** 1 x colour frame, 1 x M12 nut & bolt set, instruction leaflet.

LAMPS: 220V-240V

GY16 lamp socket / 2000W

CP72 50,000 lumens 400 hours average life

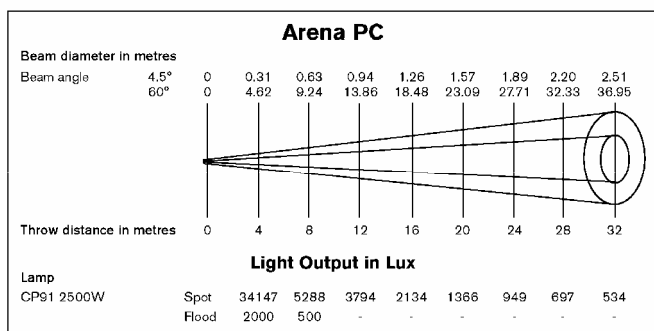
G22 lamp socket / 2500W

CP91 65,000 lumens 400 hours average life

G22 lamp socket / 2000W

CP92 50,000 lumens 400 hours average life

PHOTOMETRIC DATA



Tests conducted using a standard CP91, 2500W, 240V, 65,600 lumens lamp.

ORDER CODES & ACCESSORIES

- Arena PC - GY16** 10SPC20GY16
- Arena PC - G22** 10SPC25G22
- Barndoor** 20BDSF2020
- Lens Safety Mesh** 20SM20
- Suspension Hookclamp** 20HC
- Safety Bond** 20SC

Selecon reserves the right to change the specifications without notice (09/06).