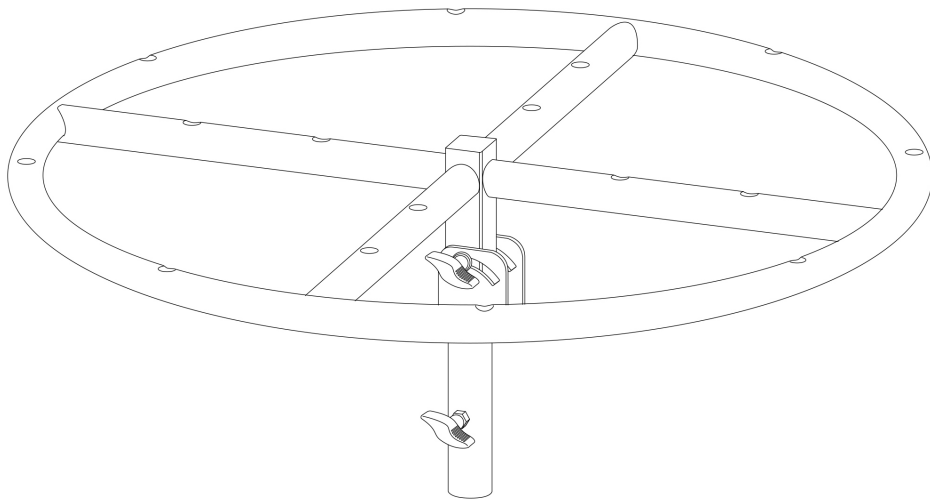


# novopro

# LIBRA 1

## I N S T R U C T I O N M A N U A L



Manual version 1.0

**This user manual will help you assemble and operate this product safely and quickly, so please spend a couple of minutes to read through the enclosed information.**

Due to continuous product development, please check for the latest version of this product manual at:

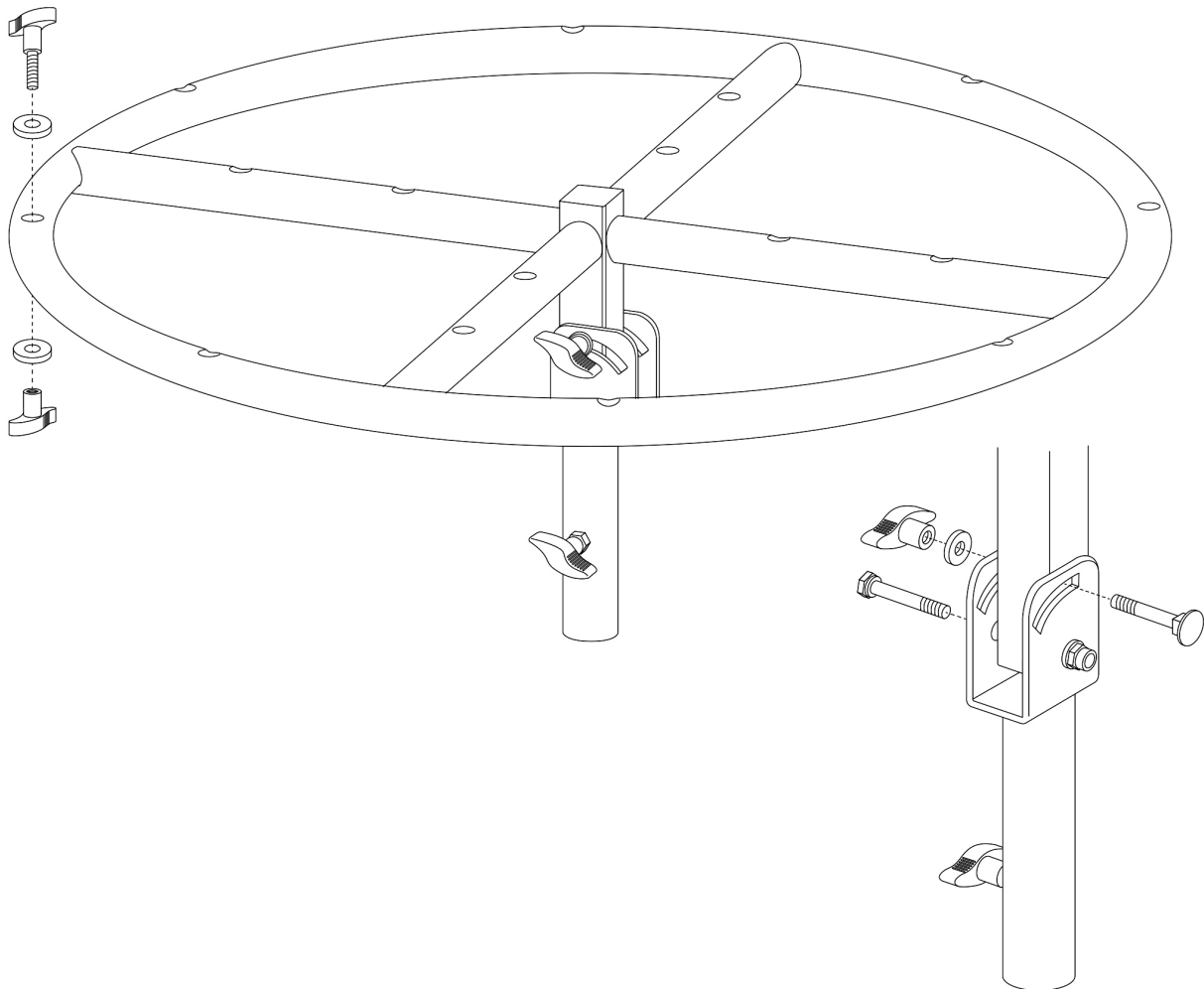
[www.novopro.co.uk](http://www.novopro.co.uk)

Designed and engineered in the UK and manufactured in China for Novopro Ltd.  
Novopro Ltd is a trade-only supplier and only supply wholesale to trade resellers.

At the end of the products working life, please take it to a recycling plant for environmentally friendly disposal.  
Due to continuous product development, specifications and appearance are subject to change. E&OE. © Copyright Novopro Ltd.

**Thank you for purchasing this Novopro product.**

**Unpacking and safety** Please unpack your new product carefully. Your product should reach you in perfect condition. Please check that no damage has occurred during transit. If any damage is found, **please contact the retailer you purchased it from immediately.**



The Novopro LIBRA1 round lighting bracket has been designed for ease of use as well as safety. The bracket has a standard 35mm pole mount for all standard lighting stands (not supplied).

Attach the bracket to the top of your lighting stand and tighten the thumb screw on the side of the bracket to secure it to the stand.

Use the the adjustment thumb screw on the central column of the bracket to adjust the angle of the bracket relative to your light stand.

Attach your own lighting fixtures to the bracket using the supplied thumb screws (up to a maximum total load of 28Kg, evenly distributed across the bracket).

Please ensure that the LIBRA1 has all the weight evenly distributed across the bracket in order to maintain the safety and stability of the product. As an additional safety measure, always us a wall tie or additional support (not supplied) that is attached to the bracket when using the LIBRA1 within public areas.

The bracket will now be sufficiently stable but due diligence and appropriate safety measures must be implemented and adhered to within public areas. It is the user's responsibility to use the product in a safe manner and within current Health and Safety Guidelines.

### **Specifications**

Bracket dimensions (WxDxH): 800 x 800 x 318mm / 31.5 x 31.5 x 12.5 inches

Maximum load: 28Kg / 61lb of evenly distributed weight

Material: Ø 32mm / 1.25 inches steel round tube and Ø 35mm / 1.37 inches standard pole mount

Surface and colour: black powder coated

Weight: 3.9Kg / 8lb 9oz

Due to continuous product development, specifications and appearance are subject to change. E&OE. © Copyright Novopro Ltd.