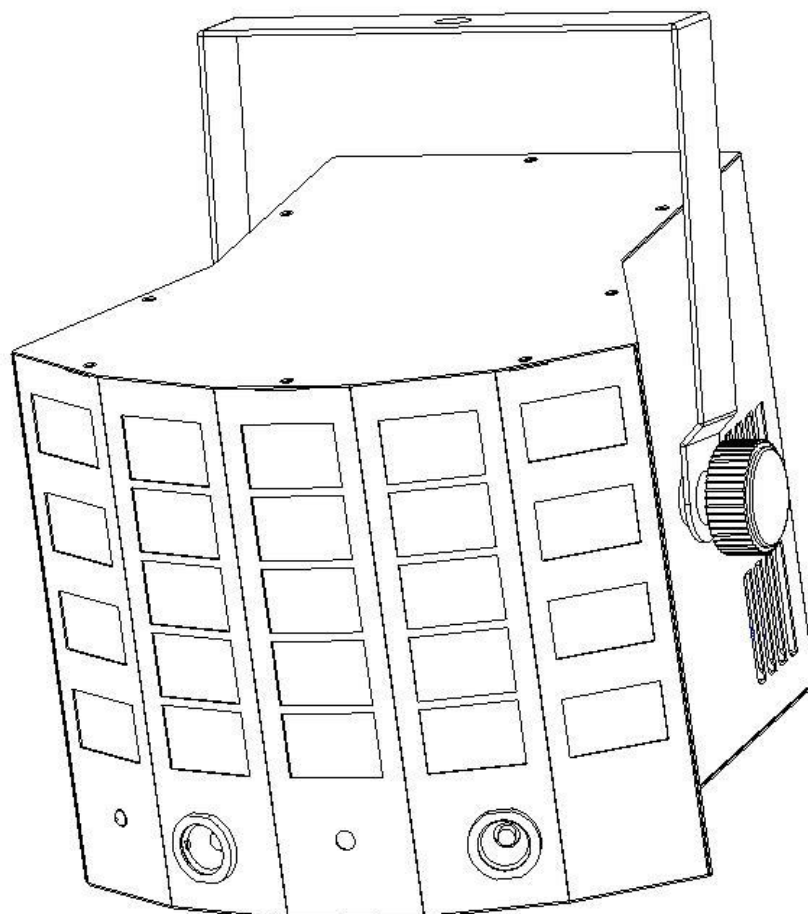


GOBO DERBY

4-IN-1 LED LIGHT EFFECT

Item ref: 151.603UK

User Manual



Version 1.0



Caution: Please read this manual carefully before operating
Damage caused by misuse is not covered by the warranty

Introduction

Thank you for choosing the GOBO DERBY as part of your light show. This compact light effect unit is a complete DMX lighting effects solution in a single fixture with LED Derby, UV, Strobe and Laser functions, all controllable from DMX, internal or remote control. Please read and keep the following instructions for future reference.

SAFETY SYMBOL AND MESSAGE CONVENTIONS



CAUTION
RISK OF ELECTRIC SHOCK
DO NOT OPEN

AVIS
RISQUE DE CHOC ELECTRIQUE NE
PAS OUVRIR



This symbol indicates that dangerous voltage constituting a risk of electric shock is present within this unit



This symbol indicates that there are important operating and maintenance instructions in the literature accompanying this unit.

Warning

To prevent the risk of fire or electric shock, do not expose any components to moisture. If liquids are spilled on the housing, stop using immediately, allow unit to dry out and have checked by qualified personnel before further use. Avoid impact, extreme pressure or heavy vibration to the case. No user serviceable parts inside – Do not open the case – refer all servicing to qualified service personnel.

Safety

Check for correct mains voltage and condition of IEC lead before connecting to a power outlet. Do not allow any foreign objects to enter the case or connectors.

Placement

- Keep away from damp or dusty environments
- Use the included tripod stand for installation onto a stable surface
- Ensure adequate air-flow around the fixture housings
- Ensure adequate access to controls and connections

Caution: Laser radiation

Avoid pointing directly towards eyes. Laser output can cause injury if viewed directly. This product is a Class 3B laser and should only be installed and used by personal who are trained in the management of laser radiation and are able to operate in accordance within the guidance given by the Health and Safety Executive (HSE) in HS(G)95: "The Radiation Safety of Lasers used for Display purposes". Copies of this guide can be downloaded from the HSE website: www.hse.gov.uk/pubns/priced/hsg95.pdf



Cleaning

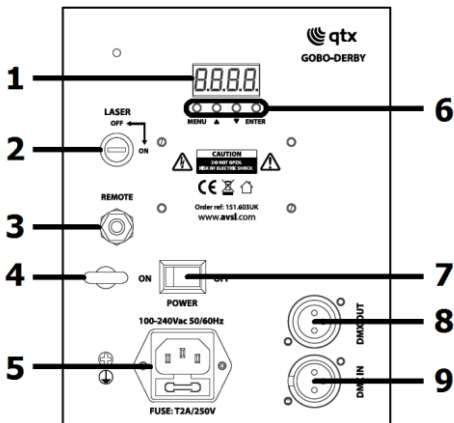
- Use a soft cloth with a neutral detergent to clean the casing as required
- Use a vacuum cleaner to clear ventilation grilles of any dust or debris build-ups
- Do not use strong solvents for cleaning the unit

In the box

Please open the package carefully and check that all contents are present and in good condition. Contact your retailer if any part is missing or broken.

- GOBO DERBY LED light effect unit
- Mounting bracket
- IR remote control
- IEC mains lead(s)
- Laser switch key

Rear panel



- 1 LED display
- 2 Laser safety switch
- 3 Laser remote relay connection
- 4 Safety eyebolt
- 5 IEC mains inlet & fuse holder
- 6 Control panel
- 7 Power on/off switch
- 8 DMX OUT connector (XLR)
- 9 DMX IN connector (XLR)

Internal Settings

Using the four control panel buttons (6), the GOBO DERBY can be set to various modes. Press the MENU button to display the different functions (see table below). Use the UP/DOWN arrow buttons to make your selection and press the ENTER button to confirm the selection.

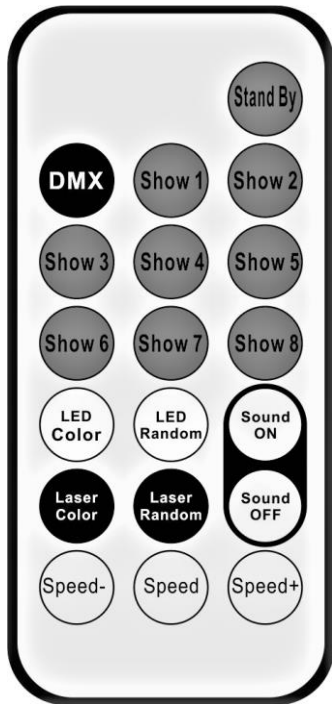
Menu	Up/Down	Function
Addr	d00 1 - d5 12	Set DMX address
Chnd	10Ch	10CH mode
	2Ch	2CH mode
Shnd	Sh 1	Show 1
	Sh 2	Show 2
	Sh 3	Show 3
	Sh 4	Show 4 (random)
SPEE	0 - 100	Show 1 – Show 4 speed
SLnd	MASt	Master mode
	SLAV	Slave mode
SoUn	On / OFF	Sound ON/OFF
SoSE	1 - 100	Microphone sensitivity (for sound activation)
dnSt	MASt	When no DMX, run in master/slave mode
	bLnd	When no DMX, stand by
	LASt	When no DMX, keep the last scene
LEd	On/OFF	LED display back light ON/OFF
tEST		Run test sequence
di SP		LED display invert
FhrS		Total working time (hours)
vEr	v 10	Software version
rSEt		System reset

Standalone operation

The GOBO DERBY can be operated without external control by selecting one of the Internal show modes from the control panel menu. These are Shown in the Internal Settings section on the previous page.

Internal settings can also be selected via the included IR remote control as detailed below.

As supplied, the remote handset has a clear plastic tab inserted which should be removed to activate the CR2025 button cell. Point the handset toward the front of the GOBO DERBY unit at a range of no more than 5m for remote control.



Standby	Temporarily disables light output
DMX	- Not used -
Show 1 – Show 4	Select internal show mode
Show 5 – Show 8	- Not used -
LED Color	LED colour select
LED Random	Random LED colour select
Laser Color	Laser colour select
Laser Random	Laser random LED colour select
Sound ON	Sound activation on
Sound OFF	Sound activation off (auto mode)
Speed -	Reduce effect speed
Speed	Default (medium) effect speed
Speed +	Increase effect speed

Master/slave operation

An GOBO DERBY fixture operating in one of the standalone modes may be connected by DMX lead to control further GOBO DERBY units by pressing the MENU button until "SLAVE" is displayed, pressing enter and selecting "MASTER" to set it as the master unit

The slave units must be set to "SLAVE" mode to mimic the operation of the master unit.

In this mode, the slave GOBO DERBY units will mimic the master GOBO DERBY working in standalone mode.

DMX operation

In order to access the DMX functions, the DMX start address will need to be set on the control panel (or from the remote control as detailed above).

When the display shows "d001", this means that the GOBO DERBY is operated starting from DMX address 1. When the display shows "d203", this means that the GOBO DERBY is operated starting from DMX address 203. The start address can be anywhere between 001 and 512.

There are 2 DMX modes – 2 channel and 10 channel – which are detailed on the following pages.

DMX: 2 channel mode

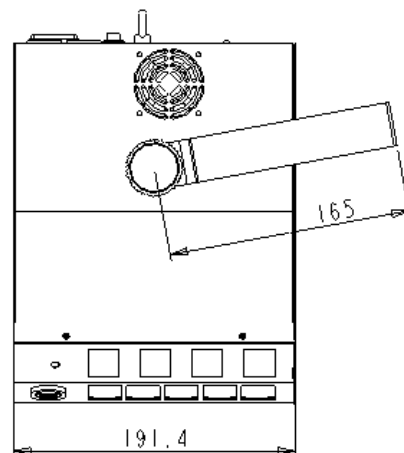
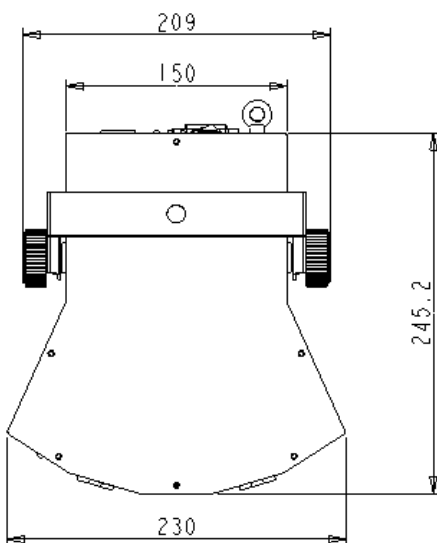
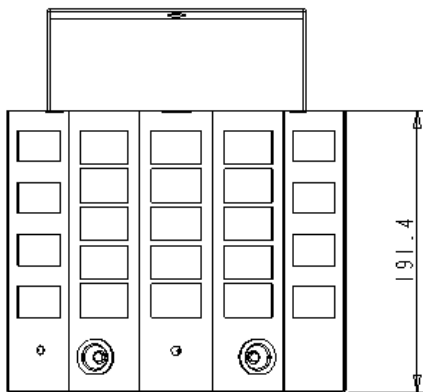
Channel	Description	DMX value	Function
CH1	Control mode	000 - 009	No function
		010 - 069	Show 1: LED gobos show
		070 - 129	Show 2: white LED and UV show
		130 - 179	Show 3: Laser show
		180 - 255	Show 4: all shows in random sequence
CH2	Speed/Sound activation	000 - 247	Show 1 - 4 speed (slow to fast)
		248 - 255	Show 1 - 4 sound activated

DMX 10 channel mode

Channel	Description	DMX value	Function
CH1	Control mode	000 - 009	No function
		010 - 069	Show 1: LED gobos show
		070 - 129	Show 2: white LED and UV show
		130 - 179	Show 3: Laser show
		180 - 255	Show 4: all shows in random sequence
CH2	Gobos LED color control	000 - 009	LED gobos OFF
		010 - 198	Colour select (15 options, 13 values for each option)
		199 - 225	Colour flow 1 (single colour) slow to fast
		226 - 255	Colour flow 2 (multi colour) slow to fast
CH3	Gobos LED strobe control	000 - 009	Gobos LED strobe OFF
		010 - 244	Gobos LED strobe speed (slow to fast)
		245 - 255	Gobos LED strobe sound activated
CH4	Gobos LED control	000 - 127	Gobos position select
		128 - 255	Gobos scanning (slow to fast)
CH5	White LED dimmer	000 - 255	White LED dimmer
CH6	White LED strobe	000 - 244	White LED strobe speed (slow to fast)
		245 - 255	White LED strobe sound activated
CH7	UV LED dimmer	000 - 255	UV LED dimmer
CH8	UV LED strobe	000 - 244	UV LED strobe speed (slow to fast)
		245 - 255	UV LED strobe sound activated
CH9	Laser colour select	000 - 009	Laser off
		010 - 063	Red
		064 - 127	Green
		128 - 255	Red+Green
CH10	Laser motor control	000 - 009	No function
		010 - 127	Motor clockwise rotation
		128 - 255	Motor anti-clockwise rotation

Specifications

Power supply	100-240Vac, 50/60Hz (IEC)
Power consumption max.	60W
Fuse	T2A/250V
Operating temperature	45°C max
LED power	8 x 3W Derby, 2 x 3W strobe, 8 x 3W UV
LED colour	2 Red, 2 Green, 2 Blue, 2 Yellow, 2 White, 8 UV
Laser power	80mW Red (650nm), 30mW Green (532nm)
DMX channels	2ch or 10ch
DMX connection	3-pin XLR in & out
Laser class	3B
Internal programmes	Master-Slave, Auto, Sound-activated
Dimensions	255 x 230 x 195mm
Weight	2.5kg



Disposal: The "Crossed Wheelie Bin" symbol on the product means that the product is classed as Electrical or Electronic equipment and should not be disposed with other household or commercial waste at the end of its useful life. The goods must be disposed of according to your local council guidelines.

*Errors and omissions excepted.
Copyright© 2017. AVSL Group Ltd.*