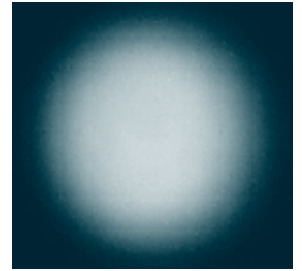


SELECON

Performance Lighting



The PC beam is well defined with little light scatter, similar to a profile beam with 114 Hamburg Frost.



The front and rear of the luminaire can be handled as the heat is reduced through the use of the latest technology engineering plastics.



Safe replacement of the lamp without altering the focus position. Failed lamps are removed quickly and safely via ejector.



The integrated safety bond can be kept out of the way simply by pulling it back into the luminaire.



Large rear grab handle assists with focusing; handy cable (1m) wrap for safe and tidy storage.

ACCLAIM PC

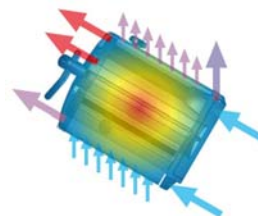
A practical and cost effective solution for lighting the smaller stage, an alternative to a Fresnel or profile
Shipped with integral safety bond and lens safety mesh

CRISP WELL CONTROLLED BEAM adjustable from a 4° spot to a 64° flood from a fixture that is simple, safe and fast to focus.

* **MODERN COMPACT DESIGN:** exploiting today's advanced materials to control the heat away from the operator controls – user friendly!

* **SAFETY:** automatic mains power isolation when opened for lamping, no chance of mounting a lamp into a live socket.

* indicates **POTENTIAL TENDER SPECIFICATION BIDLOCK**



Applications: a great alternative to profiles for the smaller stage, easy and safe to use, cost effective. The Acclaim PC can be used both for area illumination (shape the beam with the barndoor accessory) and for dramatic highlights with its 4° high output spot.

Beams can be easily blended together to provide visually even illumination.

Useful throw distances: 2-10m.

Supplied with: 1 x colour frame per unit, 1m cable, integral safety bond, lens safety mesh and manual.

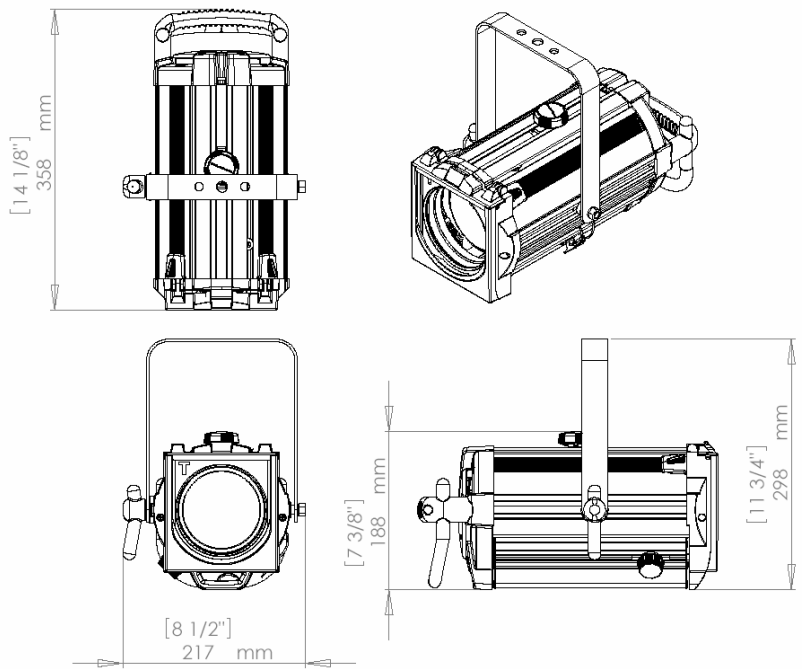
Accessories: 4-door barndoor, spare lens safety mesh, spare colour frame: 125mm x 125mm.

Lamps: 220V-240V; GY 9.5 lamp socket
500W T/25, T/18, 400hrs average life **650W** T/26, T/27, 600hrs average life

Alternative to: Strand Quartet and other 650W PC luminaires. *Strand Quartet is a Trademark of Strand Lighting.*

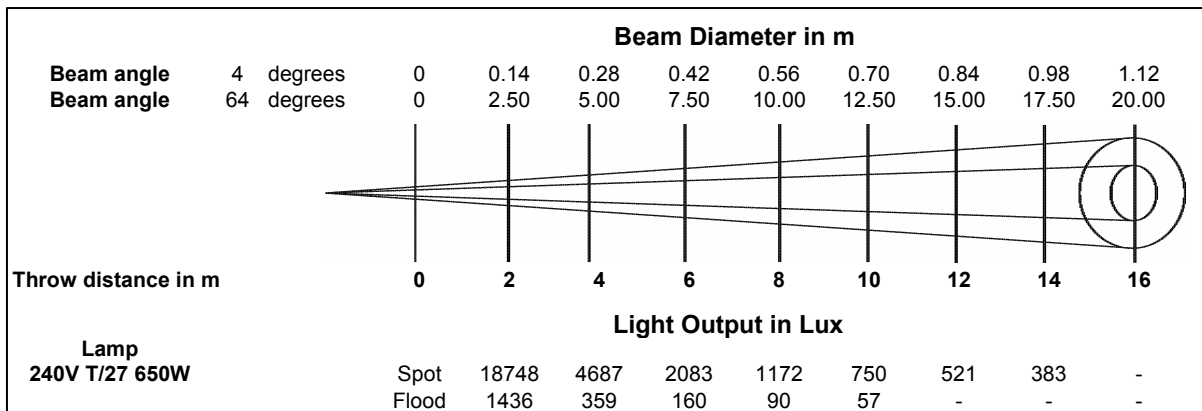
Physical dimensions and weight:

Luminaire weight: 3.5kg



Photometric data:

Tests conducted using a standard T27, 650W, 240V, 15,000 lumens lamp.



Order codes:

Acclaim PC	12ACPCUK
Barndoor	20BDMF
Additional Lens Safety Mesh	15ACSM
Additional Colour Frame	20CFMF

More information:

www.seleconlight.com/acclaimpc
 for downloadable product specification sheet, bid specification sheet, exploded parts diagram, CE certification, operation manual, a copy of this leaflet and further related product information.

