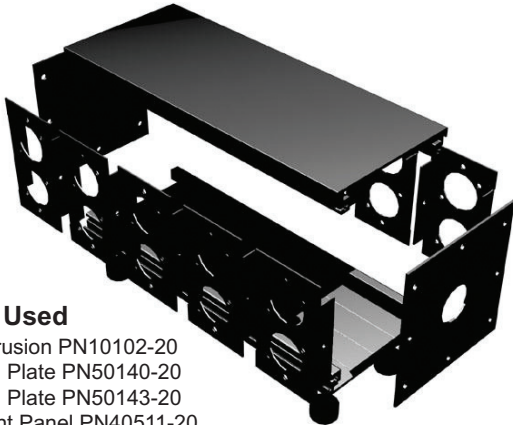
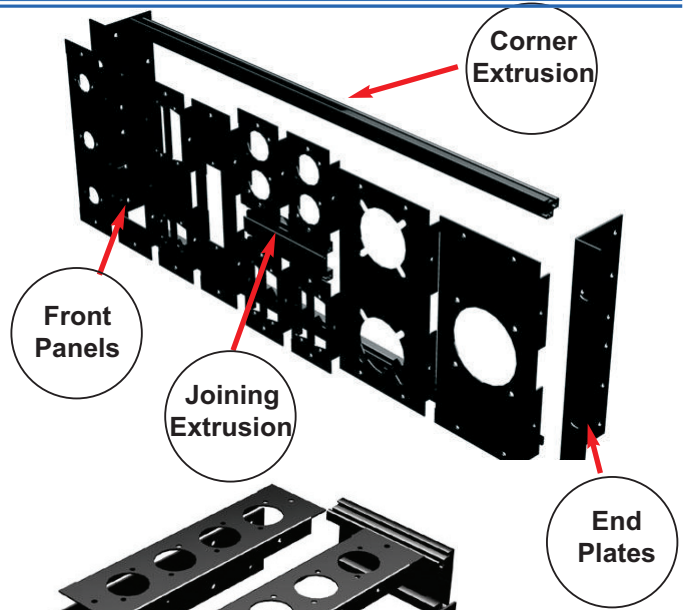




**MODULAR STAGE BOX SYSTEM**

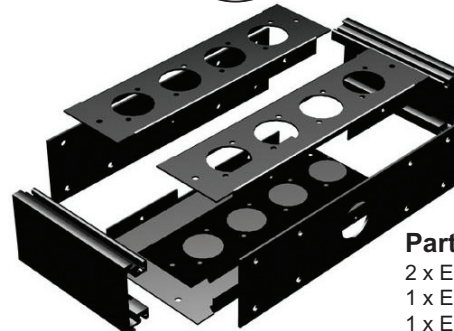
This Modular system provides almost limitless ways for assembling interconnection boxes with a wide range of modular panels. Panels are supplied in three different heights, 2 Unit, 3 Unit and 4 Unit. Each height can have up to 10 module widths assembled across the width of the retaining, (corner), extrusion. Joining extrusions are used for placing between panels, as shown. End plates can be added to make a free standing box or a 19" panel mounting unit. We have shown some examples here of what can be achieved, together with the components used to make each item. You can then use the designs shown or substitute panels to suit your own requirements.



**Parts Used**

- 2 x Extrusion PN10102-20
- 1 x End Plate PN50140-20
- 1 x End Plate PN50143-20
- 2 x Front Panel PN40511-20
- 1 x Plain Panel PN40202-20

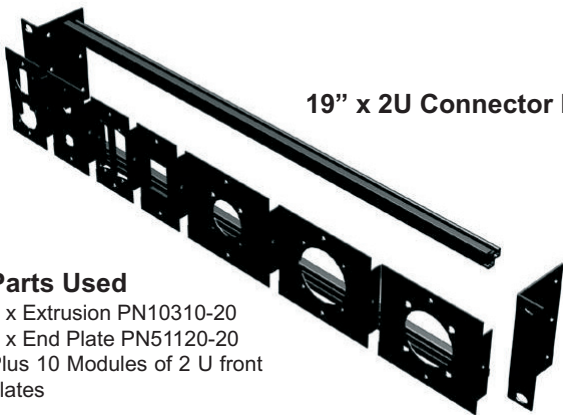
**20 Channel Line Box**



**Parts Used**

- 2 x Extrusion PN10102-20
- 1 x End Plate PN50140-20
- 1 x End Plate PN50143-20
- 2 x Front Panel PN40511-20
- 1 x Plain Panel PN40202-20

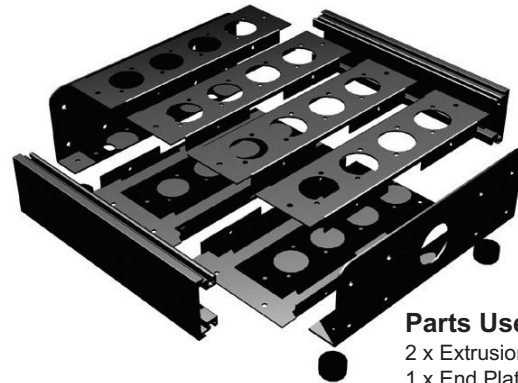
**8 Channel Stage Box**



**19" x 2U Connector Panel**

**Parts Used**

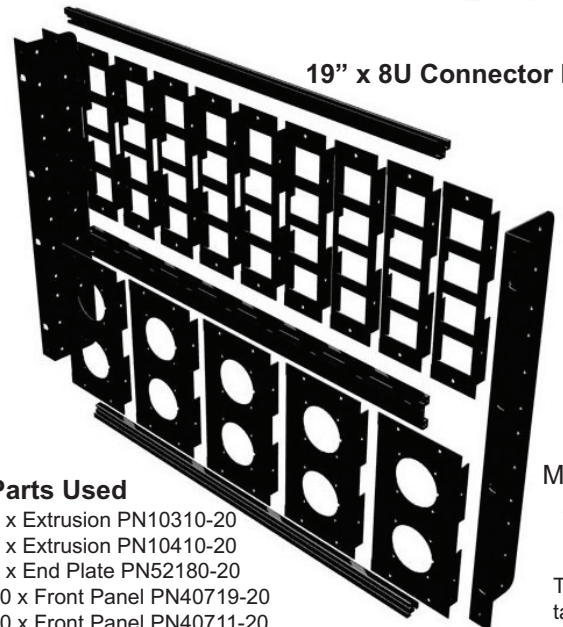
- 2 x Extrusion PN10310-20
- 2 x End Plate PN51120-20
- Plus 10 Modules of 2 U front plates



**16 Channel Stage Box**

**Parts Used**

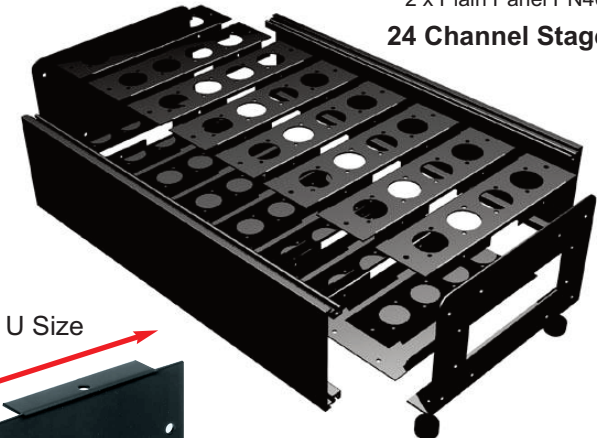
- 2 x Extrusion PN10104-20
- 1 x End Plate PN52140-20
- 1 x End Plate PN52143-20
- 4 x Front Panel PN40511-20
- 2 x Plain Panel PN40202-20



**19" x 8U Connector Panel**

**Parts Used**

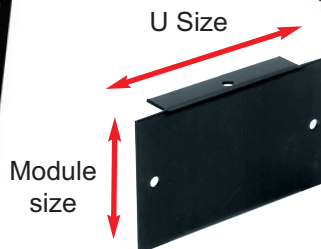
- 2 x Extrusion PN10310-20
- 1 x Extrusion PN10410-20
- 2 x End Plate PN52180-20
- 10 x Front Panel PN40719-20
- 10 x Front Panel PN40711-20



**24 Channel Stage Box**

**Parts Used**

- 2 x Extrusion PN10208-20
- 1 x End Plate PN52240-20
- 1 x End Plate PN52246-20
- 8 x Front Panel PN40511-20
- 1 x Plain Panel PN40205-20
- 1 x Plain Panel PN40202-20
- 1 x Plain Panel PN40201-20



The unit, (U), measurement is along the tagged side of the panel and the module width is along the plain side, as shown.