

Plano Spot 7TC



Operation Manual EN
Mode d'emploi FR
Gebruiksaanwijzing NL
Bedienungsanleitung DE
Manual de instrucciones ES

WWW.BEGLEC.COM

Copyright © 2011 by BEGLEC NV
t Hofveld 2C ~ B1702 Groot-Bijgaarden ~ Belgium

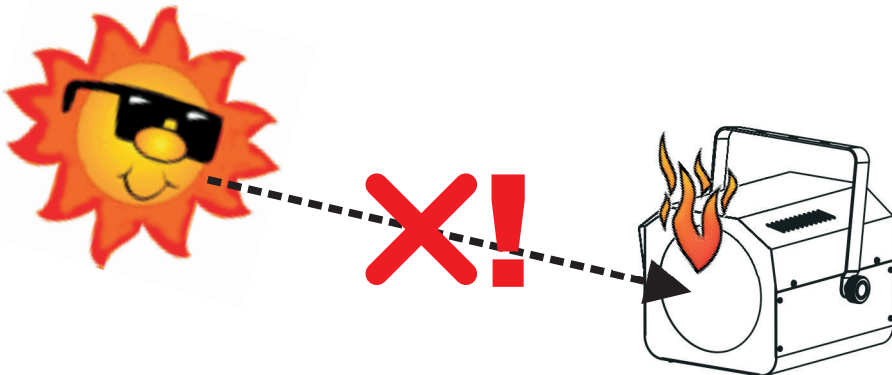
Reproduction or publication of the content in any manner, without express permission of the publisher, is prohibited.



Version: 1.0



DANGER ~ GEVAAR ~ GEFAHR ~ PELIGRO ~ PERIGO



WARNING: DANGER! never expose the lens to direct sunlight, even for a short period. This may damage the light effect or even cause fire!

ATTENTION: DANGER! n'exposez jamais la lentille directement aux rayons de soleil, même pendant un bref instant. Ceci peut endommager l'intérieur de l'appareil ou même causer un incendie !

OPGELET : GEVAAR ! stel de lens nooit bloot aan direct zonlicht, zelfs gedurende een korte periode. Dit kan het toestel beschadigen en zelfs brand veroorzaken!

WARNUNG: GEFAHR! Setzen sie die Linse niemals direkter Sonneneinstrahlung aus, auch nicht für eine kurze Zeit ! Die direkte Sonneneinstrahlung kann das Gerät zerstören oder zum brennen bringen!

ADVERTENCIA: ¡PELIGRO! ¡nunca exponga la lente a la luz solar directa, aún durante un período corto! ¡Esto puede dañar el efecto de luz o incluso causar el fuego!

AVISO: PERIGO! Nunca exponha as lentes directamente à luz solar, mesmo que por pouco tempo! Isto pode danificar o efeito luminoso ou mesmo provocar um incêndio!

EN - DISPOSAL OF THE DEVICE

Dispose of the unit and used batteries in an environment friendly manner according to your country regulations.

FR - DÉCLASSER L'APPAREIL

Débarrassez-vous de l'appareil et des piles usagées de manière écologique, conformément aux dispositions légales de votre pays.

NL - VERWIJDEREN VAN HET APPARAAT

Verwijder het toestel en de gebruikte batterijen op een milieuvriendelijke manier conform de in uw land geldende voorschriften.

DU - ENTSORGUNG DES GERÄTS

Entsorgen Sie das Gerät und die Batterien auf umweltfreundliche Art und Weise gemäß den Vorschriften Ihres Landes.

ES - DESHACERSE DEL APARATO

Reciclar el aparato y pilas usadas de forma ecologica conforme a las disposiciones legales de su país.

PT - COMO DESFAZER-SE DA UNIDADE

Tente reciclar a unidade e as pilhas usadas respeitando o ambiente e em conformidade com as normas vigentes no seu país.



OPERATION MANUAL

Thank you for buying this JB Systems® product. To take full advantage of all possibilities and for your own safety, please read these operating instructions very carefully before you start using this unit.

FEATURES

This unit is radio-interference suppressed. This product meets the requirements of the current European and national guidelines. Conformity has been established and the relevant statements and documents have been deposited by the manufacturer.

- This device was designed to produce decorative effect lighting and is used in light show systems.
- Super compact RGB LED-projector containing 7pcs high power RGB 3Watt LEDs
- Same functionality and form factor as Plano Spot based on 5mm but much brighter!
- Beam angle = 25° (medium spot)
- Many applications possible: Discotheques, DJs, exhibition booths, homes, ...
- Can be fixed in ALU-truss like any standard LED PAR, using a standard clamp
- Can be used as floor projector, under any possible projection angle
- Super compact housing, perfect for hiring companies!
- Very smooth RGB color changes thanks to high freq. dimming electronics
- Different working modes:
 - Standalone: custom colors selectable or automatic and beat synchronized color changes
 - Master/slave mode: up to 16 units can be used together for wonderful preprogrammed, music synchronized lightshows. (optional CA-8 controller possible)
 - DMX-controlled: 4modes, 4channels (R, G, B + Dimmer/strobe/sound chase)
 - Controlled by LEDCON-02 DJ-controller
- Different ways to set DMX start address:
 - Fast remote DMX addressing using any standard DMX-controller.
 - In master/slave mode you can address all units automatically.
- IEC mains in/outputs: easy daisy chaining of several units.

BEFORE USE

- Before you start using this unit, please check if there's no transportation damage. Should there be any, do not use the device and consult your dealer first.
- **Important:** This device left our factory in perfect condition and well packaged. It is absolutely necessary for the user to strictly follow the safety instructions and warnings in this user manual. Any damage caused by mishandling is not subject to warranty. The dealer will not accept responsibility for any resulting defects or problems caused by disregarding this user manual.
- Keep this booklet in a safe place for future consultation. If you sell the fixture, be sure to add this user manual.

Check the contents:

Check that the packing contains the following items:

- Operating instructions
- PLANO SPOT
- Hanging bracket
- 2 Knobs to fasten the hanging bracket

SAFETY INSTRUCTIONS:



CAUTION
RISK OF ELECTRIC SHOCK
DO NOT OPEN



CAUTION: To reduce the risk of electric shock, do not remove the top cover. No user-serviceable parts inside. Refer servicing to qualified service personnel only.



The lightning flash with arrowhead symbol within the equilateral triangle is intended to alert the user or the presence of un-insulated "dangerous voltage" within the product's enclosure that may be of sufficient magnitude to constitute a risk of electric shock.



The exclamation point within the equilateral triangle is intended to alert the user to the presence of important operation and maintenance (servicing) instructions in the literature accompanying this appliance.



This symbol means: indoor use only



This symbol means: Read instructions



This symbol means: Safety Class I appliance



This symbol determines: the minimum distance from lighted objects. The minimum distance between light-output and the illuminated surface must be more than 1 meters



The device is not suitable for direct mounting on normally flammable surfaces. (suitable only for mounting on non-combustible surfaces)

RISK GROUP 2
CAUTION:
Do not stare at operating lamp

CAUTION: Do not stare at operating lamp.
May be harmful to the eyes.

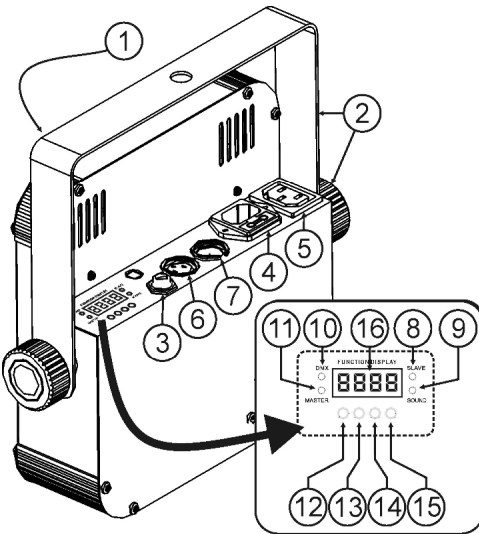
- To protect the environment, please try to recycle the packing material as much as possible.
- To prevent fire or shock hazard, do not expose this appliance to rain or moisture.
- To avoid condensation to be formed inside, allow the unit to adapt to the surrounding temperatures when bringing it into a warm room after transport. Condense sometimes prevents the unit from working at full performance or may even cause damages.
- This unit is for indoor use only.
- Don't place metal objects or spill liquid inside the unit. Electric shock or malfunction may result. If a foreign object enters the unit, immediately disconnect the mains power.
- Locate the fixture in a well ventilated spot, away from any flammable materials and/or liquids. The fixture must be fixed at least 50cm from surrounding walls.
- Don't cover any ventilation openings as this may result in overheating.
- Prevent use in dusty environments and clean the unit regularly.
- Keep the unit away from children.
- Inexperienced persons should not operate this device.
- Maximum safe ambient temperature is 40°C. Don't use this unit at higher ambient temperatures.
- Make sure the area below the installation place is free from unwanted persons during rigging, de-rigging and servicing.
- Allow the device about 10 minutes to cool down before to start servicing.
- Always unplug the unit when it is not used for a longer time or before to start servicing.
- The electrical installation should be carried out by qualified personal only, according to the regulations for electrical and mechanical safety in your country.
- Check that the available voltage is not higher than the one stated on the unit.
- The power cord should always be in perfect condition. Switch the unit immediately off when the power cord is squashed or damaged. It must be replaced by the manufacturer, its service agent or similarly qualified persons in order to avoid a hazard.
- Never let the power-cord come into contact with other cables!
- This fixture must be earthed in order to comply with safety regulations.
- Don't connect the unit to any dimmer pack.
- Always use an appropriate and certified safety cable when installing the unit.
- In order to prevent electric shock, do not open the cover. There are no user serviceable parts inside.
- **Never** repair a fuse or bypass the fuse holder. **Always** replace a damaged fuse with a fuse of the same type and electrical specifications!
- In the event of serious operating problems, stop using the fixture and contact your dealer immediately.

- The housing and the lenses must be replaced if they are visibly damaged.
- Please use the original packing when the device is to be transported.
- Due to safety reasons it is prohibited to make unauthorized modifications to the unit.

Important: Never look directly into the light source! Don't use the effect in the presence of persons suffering from epilepsy.

DESCRIPTION:

1. Front with hard plastic cover to protect the 5mm LEDs.
2. Hanging bracket with knobs on both sides to fasten the unit and a mounting hole to fix a mounting hook.
3. ¼" jack used to connect the optional CA-8 controller
4. Mains input with IEC socket and integrated fuse holder, connect the supplied mains cable here.
5. Mains output with IEC socket: you can use a special IEC power cable to connect this output with the mains input of the next PLANO SPOT for easier linking. (max 40 units can be linked)
6. DMX-output connector
7. DMX-input connector
8. Slave LED: is lit when the unit is in slave mode
9. Sound LED: blinks to the rhythm of the music while the unit is in audio mode
10. DMX LED: is lit when the unit receives a DMX-signal
11. Master LED: is lit when the unit is switched as master
12. MENU button: used to select the different menu items
13. DOWN button: to go back in the menu and to lower the values shown on the display.
14. UP button: to go up in the menu and to increase the values shown on the display.
15. ENTER button: used to confirm your choice.
16. DISPLAY shows the various menus and the selected functions.



ELECTRICAL INSTALLATION

Important: The electrical installation should be carried out by qualified personal only, according to the regulations for electrical and mechanical safety in your country.

Electrical installation for 1 standalone unit:

- Insert the mains cable. The unit starts working immediately in the last selected stand-alone mode.
- Refer to chapter HOW TO SETUP to learn how to switch between static and sound mode.

Remark: You can connect a CA-8 remote controller to the unit if you want to have more control.

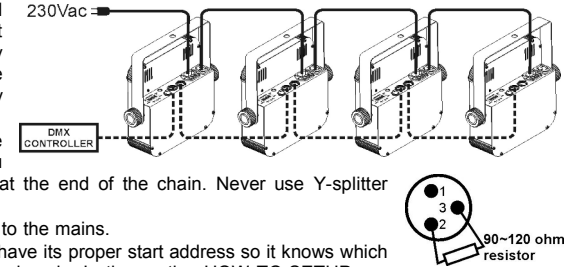
Electrical installation for two or more units in master/slave:

- Connect 2 to maximum 16 units together using good quality balanced microphone cables. The unit that has no cable connected to its DMX-input is the "master", the others are the slave units.
- Make sure that all units are connected to the mains.
- Refer to chapter HOW TO SETUP for more information.
- Done!

Remark: You can connect a CA-8 remote controller to the master unit if you want to have more control over the master/slave operation. You can also connect the LEDCON 02 remote controller

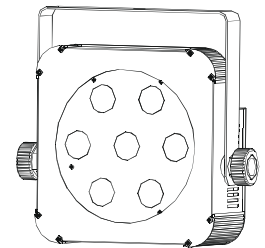
Electrical installation for two or more units in DMX-mode:

- The DMX-protocol is a widely used high speed signal to control intelligent light equipment. You need to "daisy chain" your DMX controller and all the connected units with a good quality balanced cable.
- To prevent strange behavior of the light effects, due to interferences, you must use a 90Ω to 120Ω terminator at the end of the chain. Never use Y-splitter cables, this simply won't work!
- Make sure that all units are connected to the mains.
- Each light effect in the chain needs to have its proper start address so it knows which commands from the controller it has to decode. In the section HOW TO SETUP you will learn how to set the DMX addresses. Remember that each projector uses 4 channels, a possible address setup could be: unit1 = 001 ~ unit2 = 005 ~ unit3 = 009 ~ unit4 = 013 ~ etc.



OVERHEAD RIGGING

- **Important:** The installation must be carried out by qualified service personal only. Improper installation can result in serious injuries and/or damage to property. Overhead rigging requires extensive experience! Working load limits should be respected, certified installation materials should be used, the installed device should be inspected regularly for safety.
- Make sure the area below the installation place is free from unwanted persons during rigging, de-rigging and servicing.
- The device should be installed out of reach of people and outside areas where persons may walk by or be seated.
- Before rigging make sure that the installation area can hold a minimum point load of 10times the device's weight.
- Always use a certified safety cable that can hold 12times the weight of the device when installing the unit. This secondary safety attachment should be installed in a way that no part of the installation can drop more than 20cm if the main attachment fails.
- The device should be well fixed; a free-swinging mounting is dangerous and may not be considered!
- Don't cover any ventilation openings as this may result in overheating.
- The operator has to make sure that the safety-relating and machine-technical installations are approved by an expert before using them for the first time. The installations should be inspected every year by a skilled person to be sure that safety is still optimal.

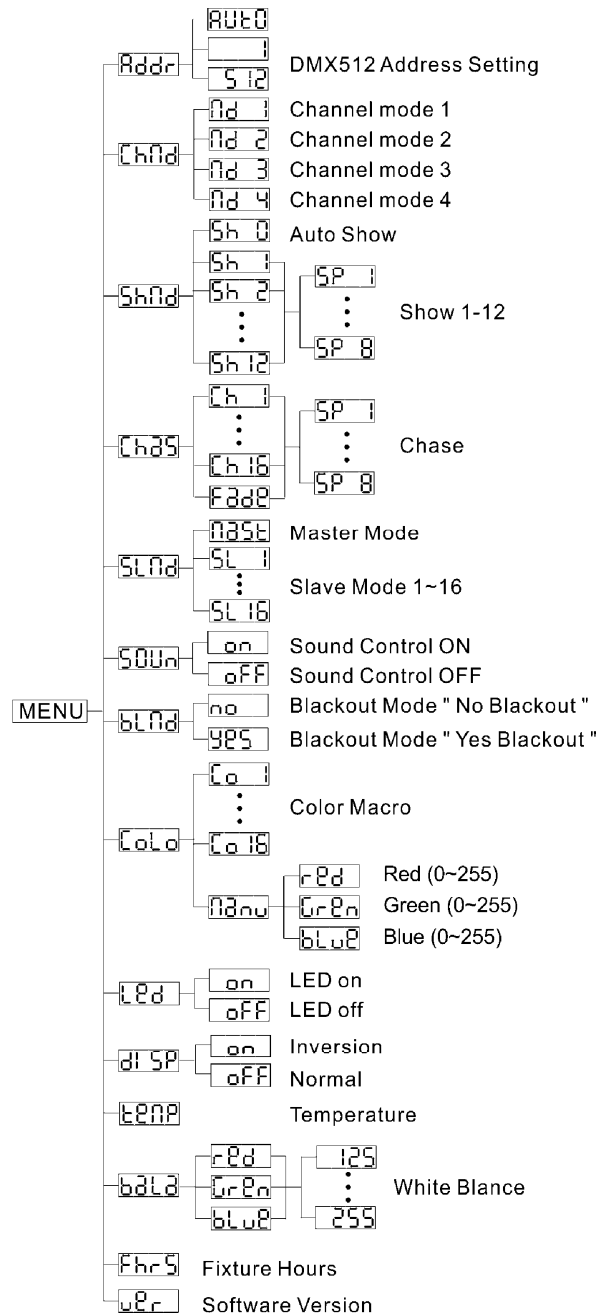


HOW TO SETUP:

MAIN MENU:

- To select any of the menu options, press the **MENU** button up to when the required option is shown on the display.
- Select the function with the **ENTER** button. The display will blink.
- Use **DOWN** and **UP** button to choose the desired menu option.
- Once the required menu option is selected, press the **ENTER** button to select.

Remark: Press the **MENU** button for about 2 seconds to return to running mode or just wait 8 seconds.



Addr DMX512 Address Setting

Used to set the start address in a DMX setup, you can also automatically program the next PLANO SPOT projectors in the same DMX-chain.

Program a DMX start address in 1 unit:

- Press the MENU button until **Addr** is shown on the display.
- Press the ENTER button to select.
- Use DOWN and UP buttons to change the DMX512 address.
- Once the correct address is shown on the display, press the ENTER button to confirm.
- Press the MENU button for about 2 seconds to return to running mode.

Automatically program the DMX start addresses of several units in a DMX-chain:

- Connect the DMX in/outputs of all projectors together and switch them all on
- On the first unit in the chain:
 - Press the MENU button until **Addr** is shown on the display.
 - Press the ENTER button to select.
 - Use DOWN and UP buttons to change the DMX512 address.
 - Once the correct address shows on the display, press 2 times the ENTER button.
 - After this, use the DOWN and UP buttons until **Auto** is shown on the display.
 - Press the ENTER button to start the automatic programming → all units flash one time to indicate that the addresses are automatically set, starting from the address programmed in the first unit.
 - Press the MENU button on the first unit for about 2 seconds to return to running mode.

Example: the first projector was set to DMX-address 100 → when you perform the automatic addressing, the other projectors in the DMX-chain will receive addresses: 104, 108, 112, 116, ...

Chnd Channel Mode

The unit has 4 different channel modes, each with different functions for the 4th channel. Refer to the DMX-chart to see the differences.

- Press the MENU button until **Chnd** is shown on the display.
- Press the ENTER button to select.
- Use DOWN and UP button to select one of the available channel modes.
- Once the mode is selected, press the ENTER button to confirm.
- Press the **MENU** button for about 2 seconds to return to running mode.

Shnd Show Mode

Used to choose to select one of the preprogrammed multi channel shows when used in standalone or master/slave mode.

- Press the MENU button until **Shnd** is shown on the display.
- Press the ENTER button to select.
- Use DOWN and UP buttons to select one of the preprogrammed shows:
 - **Sh 0** → all shows played in random mode.
 - **Sh 1** to **Sh 12** → 12 different built-in shows.
- Except for the random show (Show 0) you will also be asked to select a running speed for the static mode. With the UP/DOWN buttons you can select **SP 1** (slow) to **SP 8** (fast).
- Once the right show is selected, press the ENTER button to confirm.
- Press the **MENU** button for about 2 seconds to return to running mode.

Chds Color chase Mode

Used to choose to select one of the preprogrammed colorfades when used in standalone or master/slave mode. All projectors will always show an identical output.

- Press the MENU button until **Chds** is shown on the display.
- Press the ENTER button to select.
- Use DOWN and UP buttons to select one of the preprogrammed shows
- You will also be asked to select a running speed for the static mode. With the UP/DOWN buttons you can select **SP 1** (slow) to **SP 8** (fast).
- Once the right show is selected, press the ENTER button to confirm.
- Press the **MENU** button for about 2 seconds to return to running mode.

SLND Slave Mode

By choosing the right slave mode you can improve the impact of the multi-channel shows. The first slave should be in "SL 2" mode, the second in "SL 3" mode, etc. until "SL16".

- Press the MENU button until **SLND** is shown on the display.
- Press the ENTER button to select.
- Use DOWN and UP button to select one of the available slave modes.
- Once the right mode is selected, press the ENTER button to confirm.
- Press the **MENU** button for about 2 seconds to return to running mode.

SOUN Sound Mode

Used to choose the desired sound mode to trigger the shows.

- Press the MENU button until **SOUN** is shown on the display.
- Press the ENTER button to select.
- Use DOWN and UP button to select one of the available modes:
 - **ON** (sound mode ON) → the shows are triggered by the internal microphone.
 - **OFF** (sound mode OFF) → the shows are triggered by the speed selected with the shows.
- Once the right mode is selected, press the ENTER button to confirm.
- Press the **MENU** button for about 2 seconds to return to running mode.

BLND Blackout Mode

Blackout mode: when no DMX-signal is detected, the unit goes in blackout.

No blackout mode: when no DMX-signal is detected, the unit automatically switches to master mode. ALWAYS set to "No Blackout" when the unit is used in standalone or master (master/slave) mode!!!

- Press the MENU button until **BLND** is shown on the display.
- Press the ENTER button.
- Use DOWN and UP button to select **YES** (blackout) or **NO** (no blackout) mode.
- Once the mode is selected, press the ENTER button to confirm.
- Press the **MENU** button for about 2 seconds to return to running mode.

COLR Color Preset Mode

Used to choose one of the 16 standard preset colors. You can also define your own custom color, based on individual settings for red, green and blue.

- Press the MENU button until **COLR** is shown on the display.
- Press the ENTER button to select.
- Use DOWN and UP button to select one of the available options:
 - Select one of the preset colors **CO01** to **CO16** and press ENTER to confirm.
 - Select **PRGR** to make your own color and press ENTER to confirm. Now you can set the 3 colors to make your own custom color:
 - **RED** (red): press ENTER. Then use the DOWN and UP buttons to set the value between 000 and 255. Confirm with the ENTER button. Use the DOWN and UP buttons to select the next color.
 - **GRN** (green): press ENTER. Then use the DOWN and UP buttons to set the value between 000 and 255. Confirm with the ENTER button. Use the DOWN and UP buttons to select the next color.
 - **BLU** (blue): press ENTER. Then use the DOWN and UP buttons to set the value between 000 and 255. Confirm with the ENTER button. Use the DOWN and UP buttons to select the next color.
- Once the right settings are done; press the **MENU** button for about 2 seconds to return to running mode.

LED Led Display

Display on: display is always on.

Display off: display is off when not used.

- Press the MENU button until the display shows **LED**.
- Press the ENTER button.
- Use DOWN and UP buttons to select **ON** (display always on) or **OFF** (display off when not used).
- Once the mode is selected, press the ENTER button to confirm.
- Press the **MENU** button for about 2 seconds to return to running mode.

DISP Display Inversion

Display inversion: display is readable when the unit is mounted upside down.

- Press the MENU button until the display shows **DISP**.
- Press the ENTER button, the display starts blinking.
- Use DOWN and UP buttons to select **ON** (display inversion) or **OFF** (normal display).
- Once the mode is selected, press the ENTER button to confirm.
- Press the **MENU** button for about 2 seconds to return to running mode.

TEMP Fixture Temperature

- Press the MENU button until the display shows **TEMP**.
- Press ENTER button and the display will show the temperature of the unit.
- To go back to the functions press the MENU button again.

BALB Adjust White balance

Makes it possible to adjust the white color when all colors are at maximum.

- Press the MENU button until **BALB** is shown on the display.
- Press the **ENTER** button, the display starts blinking.
- Use the **DOWN** and **UP** button to select the **RED** (Red) or **GRN** (Green) or **BLU** (Blue) color.
- Press the **ENTER** button, the display starts blinking.
- Use the **DOWN** and **UP** button to adjust the value from **125** to **255** and press ENTER to confirm.
- Once the mode has been selected, press the **ENTER** button to confirm.

To go back to the main menu without any change press the MENU button shortly.

If you want to go back to normal running mode: press the MENU button for about 2 seconds.

Fhrs Fixture Hours

Used to show the number of working hours of the unit.

- Press the MENU button until **Fhrs** is shown on the display.
- Press the ENTER button to show the number of working hours in the display.
- Press the **MENU** button for about 2 seconds to return to running mode.

VER Software version:

Used to show the software version of the unit.

- Press the MENU button until **VER** is shown on the display.
- Press the ENTER button to show the software version of the unit.
- Press the **MENU** button for about 2 seconds to return to running mode.

OPERATING INSTRUCTIONS**A. Standalone 1unit:**

- Just connect the projector to the mains.
 - Select one of the automatic modes or select a fixed color
 - Select the static or sound control mode
 - **Don't forget to set the Blackout mode to 'NO Blackout' or nothing will happen.**
 - Refer to chapter HOW TO SETUP to learn how to make the previous settings.
- Remark:** You can connect a CA-8 remote controller to the unit if you want to have more control.

B. Two or more units in master/slave setup:

- Connect 2 to maximum 16 units together. Refer to the chapter "electrical installation" to learn how to do this.
- Set the slave mode for each projector: the first one must be set on Master and each slave projector can be set to its specific slave mode (see chapter HOW TO SETUP the slave mode)
- Connect all units to the mains and put on some music. The units will start working automatically to the rhythm of the music and show the internal chase programs.

- Don't forget to set the Blackout mode to 'NO Blackout' or nothing will happen.
Remark: You can connect a CA-8 or LEDCON-02 remote controller to the master unit if you want to have more control over the master/slave operation.

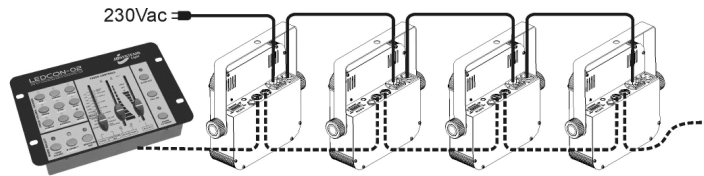
C. Connect the optional CA-8 controller for more control:

The CA-8 controller can only be used in standalone or master/slave mode. Connect the controller to the CA-8 input of the first unit (master). Now you can control all the connected units:

BUTTON	ACTIONS			
STANDBY	To blackout all the fixtures			
FUNCTION	1.Synchronous strobe in white color 2.The same color chase 3.Different color strobe	Select one of the different colors.	Select one of the 12 different multi-channel shows.	Select one of the different color fade modes.
MODE	Strobe (LED OFF)	Color select (LED ON)	Show select (LED slow blinking)	Chase select (LED fast blinking)

D. Connect an optional LEDCON-02 controller for more control:

The LEDCON-02 controller can only be used in standalone or master/slave mode. Connect the controller to the DMX-input of the first unit (master). Make sure that the PLANO SPOT projectors are all set to channel mode1 (Md 1). Now you can control all the connected units in 4 or 8channel mode. Refer to the user manual of the LEDCON-02 controller for more information and automatic addressing.



E. Controlled by universal DMX-controller:

- Connect all units together. Refer to the chapter "Electrical installation for two or more units in DMX-mode" to learn how to do this (don't forget to address all units properly!)
 - Connect all units to the mains and turn on the DMX controller.
- Since each unit has its own DMX-address, you can control them individually. Remember that each unit uses 4 DMX-channels as shown in the DMX chart below:

DMX512 Configuration						
Ch1	Ch2	Ch3	Ch4			
RED	GREEN	BLUE	DIMMER/STROBE (Mode1)	DIMMER (Mod2)	DIMMER/STROBE (Mode3)	DIMMER/STROBE (Mode4)
255-100% 0-0%	255-100% 0-0%	255-100% 0-0%	248-255 OPEN 201-247 191-200 SOUND 8-190 0-7 OFF	255-100% 0-0%	161-255 0-160	200-255 Color Macro 128-199 0-127

Channel4 can have 4 different behaviors, depending on the channel mode (1,2,3 or 4) you selected.

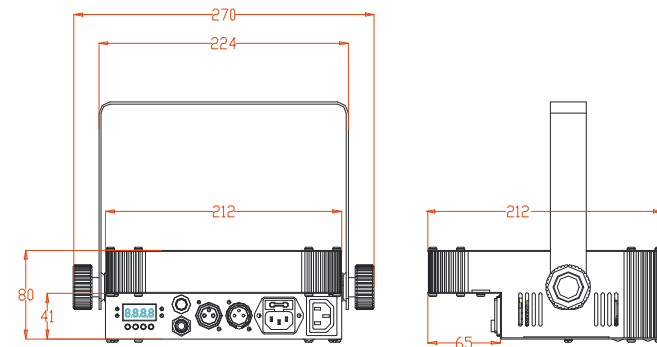
MAINTENANCE

- Make sure the area below the installation place is free from unwanted persons during servicing.
- Switch off the unit, unplug the mains cable and wait until the unit has been cooled down.
- **During inspection the following points should be checked:**
- All screws used for installing the device and any of its parts should be tightly fastened and may not be corroded.
- Housings, fixations and installations spots (ceiling, truss, suspensions) should be totally free from any deformation.
- When an optical lens is visibly damaged due to cracks or deep scratches, it must be replaced.
- The mains cables must be in impeccable condition and should be replaced immediately when even a small problem is detected.
- In order to protect the device from overheat the cooling fans (if any) and ventilation openings should be cleaned monthly.
- The interior of the device should be cleaned annually using a vacuum cleaner or air-jet.
- The cleaning of internal and external optical lenses and/or mirrors must be carried out periodically to optimize light output. Cleaning frequency depends on the environment in which the fixture operates: damp, smoky or particularly dirty surroundings can cause greater accumulation of dirt on the unit's optics.
 - Clean with a soft cloth using normal glass cleaning products.
 - Always dry the parts carefully.

Attention: We strongly recommend internal cleaning to be carried out by qualified personnel!

SPECIFICATIONS

Mains Input:	100-240V, 50/60HZ
Power consumption:	28,5Watt
Fuse:	250V 6,3A slow blow (20mm glass)
IEC input/output daisy chaining:	40pcs
Sound Control:	Internal microphone
DMX connections:	XLR 3pin
LEDs:	7 LEDs 3IN1 3W
Beam angle:	25°
Luminous intensity:	see chart below
Size:	see drawing below
Weight:	2.5 kg



Every information is subject to change without prior notice
You can download the latest version of this user manual on our website: www.beglec.com

GUIDE D'UTILISATION

Nous vous remercions d'avoir acheté ce produit JB Systems®. Pour tirer pleinement profit de toutes les possibilités et pour votre propre sécurité, lisez ces instructions très attentivement avant d'utiliser cet appareil.

CARACTÉRISTIQUES

Cet appareil ne produit pas d'interférences radio. Ce produit répond aux exigences des directives européennes et nationales actuelles. La conformité a été établie et les déclarations et documents correspondants ont été déposés par le fabricant.

- Ce dispositif a été conçu pour produire un effet d'éclairage décoratif et est utilisé dans les systèmes de jeu de lumière.
- Projecteur à LED RGB super compact contenant 7 LED RGB haute puissance 3 Watts
- Même fonctionnalité et facteur de forme que le Plano Spot basée sur 5mm mais beaucoup plus lumineux !
- Angle de faisceau = 25° (spot moyen)
- Plusieurs utilisations possibles : Discothèques, DJ, stands d'exposition, maisons,...
- Peut être fixé dans une structure en aluminium comme tout LED PAR standard, à l'aide d'une attache standard
- Peut être utilisé comme projecteur au sol, sous n'importe quel angle de projection possible
- Boîtier super compact, idéal pour les agences de location !
- Fondus enchaînés tout en douceur grâce à l'électronique de gradation de l'intensité lumineuse à haute fréquence
- Différents modes de fonctionnement :
 - Autonome : couleurs personnalisées sélectionnables ou automatiques et changement des couleurs synchronisés aux rythmes
 - Mode Maître/Esclave : jusqu'à 16 unités peuvent être utilisées ensemble pour un jeu de lumière préprogrammé synchronisé avec la musique. (télécommande CA-8 en option)
 - Contrôlé par DMX : 4 modes, 4 canaux (R, G, B + gradateur/stroboscope/son de poursuite)
 - Contrôlé par le contrôleur DJ LEDCON-02
- Différentes façons de définir l'adresse DMX de départ :
 - Adressage DMX distant rapide en utilisant tout contrôleur DMX standard
 - En mode maître/esclave vous pouvez adresser toutes les unités automatiquement.
- Connecteurs d'entrée/sorties aux normes CEI : chaînage de plusieurs unités facile.

AVANT UTILISATION

- Avant d'utiliser cet appareil, vérifiez s'il n'a pas été endommagé durant le transport. En cas de dommages, n'utilisez pas l'appareil et consultez immédiatement votre revendeur.
- **Important** : Cet appareil est expédié de notre usine en parfait état et bien emballé. Il est absolument nécessaire que l'utilisateur suive strictement les instructions et les avertissements de sécurité se trouvant dans ce manuel. Tout dommage dû à une mauvaise manipulation n'est pas garanti. Le revendeur n'accepte aucune responsabilité pour tous les défauts et problèmes dus au non respect de ce manuel.
- Conservez ce manuel dans un endroit sûr pour toute consultation future. Si vous vendez l'appareil, veillez à joindre ce manuel.

Vérifiez le contenu :

Vérifiez que l'emballage contient les éléments suivants :

- Guide d'utilisation
- PLANO SPOT
- Support de suspension
- 2 Boutons pour fixer le support de suspension

INSTRUCTIONS DE SÉCURITÉ :



CAUTION
RISK OF ELECTRIC SHOCK
DO NOT OPEN



ATTENTION : Pour réduire le risque de choc électrique, ne retirez pas le panneau supérieur. L'appareil ne contient aucun composant réparable par l'utilisateur. Confiez toute réparation à un personnel qualifié uniquement.



Le symbole de l'éclair à l'intérieur d'un triangle équilatéral, est destiné à alerter l'utilisateur de la présence de pièces sous tension non isolées dans le boîtier de l'appareil, d'une magnitude pouvant constituer un risque d'électrocution.



Le symbole du point d'exclamation dans un triangle sert à avertir l'utilisateur que d'importants conseils de fonctionnement sont fournis dans la documentation



Ce symbole signifie : pour usage intérieur uniquement.



Ce symbole signifie : Lisez les instructions



Ce symbole signifie : appareil de Classe de sécurité I



Ce symbole détermine : la distance minimale des objets éclairés. La distance minimale entre la sortie de lumière et la surface éclairée doit être supérieure à un 1 mètre



Cet appareil n'est pas adapté pour un montage direct sur des surfaces normalement inflammables. (Ne convient que pour le montage sur surfaces non combustibles)

RISK GROUP 2
CAUTION:
Do not stare at operating lamp

ATTENTION : Ne fixez pas votre regard sur une lampe allumée. Peut être nocif pour les yeux.

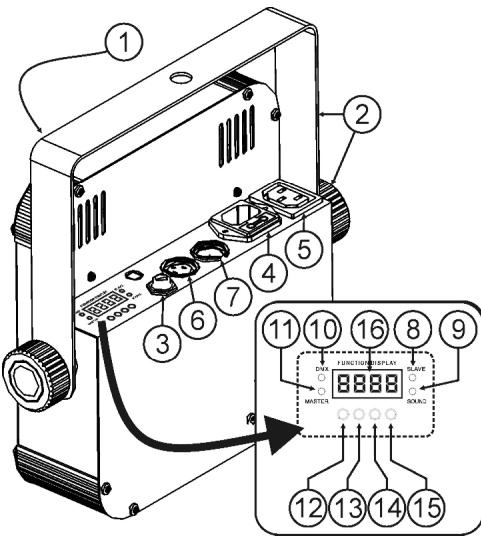
- Pour protéger l'environnement, essayer de recycler autant que possible les matériaux d'emballage.
- Pour éviter tout incendie ou électrocution, n'exposez pas cet appareil à la pluie ou l'humidité.
- Pour éviter une formation de condensation interne, laissez l'appareil s'adapter à la température ambiante quand vous la mettez dans une pièce chauffée après le transport. La condensation empêche parfois l'appareil de fonctionner à plein rendement ou peut même causer des dommages.
- Cet appareil est destiné à un usage intérieur seulement.
- Ne placez pas d'objets métalliques et ne renversez pas de liquides à l'intérieur de l'appareil. Un choc électrique ou un dysfonctionnement peut en résulter. Si un corps étranger pénètre dans l'appareil, débranchez immédiatement l'alimentation secteur.
- Fixez l'appareil dans un endroit bien aéré, loin de tout matériau et/ou liquide inflammable. Le luminaire doit être fixé à au moins 50 cm des murs environnants.
- Ne couvrez pas les ouvertures de ventilation, cela pourrait entraîner une surchauffe.
- Evitez une utilisation dans des environnements poussiéreux et nettoyez l'appareil régulièrement.
- Gardez l'appareil loin de la portée des enfants.
- Les personnes inexpérimentées ne doivent pas utiliser cet appareil.
- La température ambiante de fonctionnement maximale est de 40°C. N'utilisez pas cet appareil à des températures ambiantes plus élevées.
- Assurez-vous qu'aucune personne étrangère ne se trouve dans la zone en dessous de l'emplacement d'installation durant le montage, le démontage et l'entretien.
- Laissez environ 10 minutes à l'appareil pour refroidir avant de commencer l'entretien.
- Débranchez toujours l'appareil lorsqu'il ne va pas être utilisé pendant une longue période ou avant de commencer l'entretien.
- L'installation électrique doit être effectuée par du personnel qualifié, conformément à la réglementation en matière de sécurité électrique et mécanique dans votre pays.
- Vérifiez que la tension secteur n'est pas supérieure à celle indiquée sur l'appareil.
- Le cordon d'alimentation doit toujours être en parfait état. Eteignez immédiatement l'appareil dès le cordon d'alimentation est écrasé ou endommagé. Il doit être remplacé par le fabricant, son agent de service ou une personne de même qualification afin d'éviter tout danger.
- Ne laissez jamais le cordon d'alimentation entrer en contact avec d'autres câbles !
- Ce luminaire doit être mis à la terre pour être conforme réglementation en matière de sécurité.
- Ne connectez pas l'appareil à aucun variateur de lumière.
- Utilisez toujours un câble de sécurité approprié et certifié lors de l'installation de l'appareil.
- Afin d'éviter un choc électrique, n'ouvrez aucun panneau. L'appareil ne contient aucun composant réparable par l'utilisateur.
- Ne réparez **jamais** un fusible et ne court-circuitez **jamais** le porte-fusible. Remplacez **toujours** un fusible endommagé par un fusible du même type ayant les mêmes spécifications électriques !
- En cas de sérieux problèmes de fonctionnement, cessez d'utiliser l'appareil et contactez immédiatement votre revendeur.
- Le boîtier et la lentille doivent être remplacés s'ils sont visiblement endommagés.

- Utilisez l'emballage d'origine pour transporter l'appareil.
- Pour des raisons de sécurité, il est interdit d'apporter des modifications non autorisées à l'appareil.

Important : Ne regardez jamais directement dans la source de lumière ! N'utilisez pas le jeu de lumière en présence de personnes souffrant d'épilepsie.

DESCRIPTION:

1. Face avant avec couvercle en plastique dur pour protéger les LED 5mm.
2. Support de suspension avec boutons des deux côtés pour fixer l'appareil et un trou de montage pour fixer un crochet de montage.
3. Connecteur ¼" pour connecter la télécommande optionnel CA-8
4. Entrée secteur avec prise IEC et porte-fusible intégré. branchez le câble secteur ici.
5. Sortie secteur avec prise IEC : vous pouvez utiliser un câble d'alimentation IEC spécial pour raccorder cette sortie à l'entrée secteur du PLANO SPOT suivant pour faciliter le raccordement. (Max 40 unités peuvent être raccordées)
6. Connecteur de sortie DMX
7. Connecteur d'entrée DMX
8. LED esclave : s'allume lorsque l'appareil est en mode esclave
9. LED sonore : clignote au rythme de la musique lorsque l'appareil est en mode audio
10. LED DMX : s'allume lorsque l'appareil reçoit un signal DMX
11. LED maître : s'allume lorsque l'appareil est allumé en tant que maître
12. Touche MENU : utilisée pour sélectionner les différents éléments de menu
13. Touche vers le Bas : pour descendre dans le menu et pour diminuer les valeurs affichées à l'écran.
14. Touche vers le Haut : pour monter dans le menu et pour augmenter les valeurs affichées à l'écran.
15. Touche ENTER : pour confirmer votre choix.
16. L'écran affiche les différents menus et les fonctions sélectionnées.



INSTALLATION ÉLECTRIQUE

Important : L'installation électrique doit être effectuée par du personnel qualifié, conformément à la réglementation en matière de sécurité électrique et mécanique dans votre pays.

Installation électrique d'une unité autonome :

- Insérez le câble d'alimentation. L'appareil démarre immédiatement dans le dernier mode autonome sélectionné.
- Reportez-vous au chapitre COMMENT CONFIGURER pour apprendre comment passer du mode statique au mode sonore.

Remarque : Vous pouvez connecter une télécommande CA-8 à l'appareil si vous voulez avoir plus de contrôle.

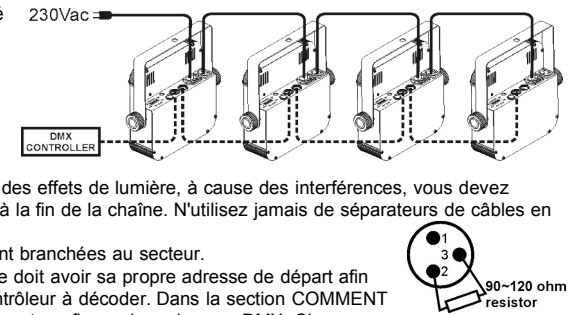
Installation électrique de deux ou plusieurs unités en maître/esclave :

- Connectez 2 à un maximum de 16 unités ensemble à l'aide de câbles microphone symétrique de bonne qualité. L'unité qui n'a pas de câble connecté à son entrée DMX est le "maître", les autres sont les unités esclaves.
- Assurez-vous que toutes les unités sont branchées au secteur.
- Reportez-vous au chapitre COMMENT CONFIGURER pour plus d'informations.
- C'est fait !

Remarque : Vous pouvez connecter une télécommande CA-8 à l'appareil maître, si vous voulez avoir plus de contrôle sur le fonctionnement maître/esclave. Vous pouvez également connecter la télécommande LEDCON 02

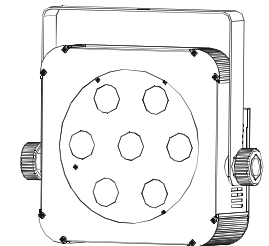
Installation électrique de deux ou plusieurs unités en mode DMX :

- Le protocole DMX est largement utilisé pour contrôler des équipements lumineux intelligents au moyen d'un signal de haute vitesse. Vous devez mettre en chaîne votre contrôleur DMX avec toutes les unités connectées par un câble symétrique de bonne qualité.
- Pour éviter un comportement anormal des effets de lumière, à cause des interférences, vous devez utiliser un terminateur de 90Ω à 120Ω à la fin de la chaîne. N'utilisez jamais de séparateurs de câbles en Y, cela ne fonctionne pas !
- Assurez-vous que toutes les unités sont branchées au secteur.
- Chaque effet de lumière dans la chaîne doit avoir sa propre adresse de départ afin qu'il sache quelles commandes du contrôleur à décoder. Dans la section COMMENT CONFIGURER vous apprendrez comment configurer les adresses DMX. Chaque projecteur utilise 4 canaux, une configuration d'adresse possible pourraient être : unit1 = 001 ~ unit2 = 005 ~ unit3 = 009 ~ unit4 = 013 ~ etc.



MONTAGE AU PLAFOND

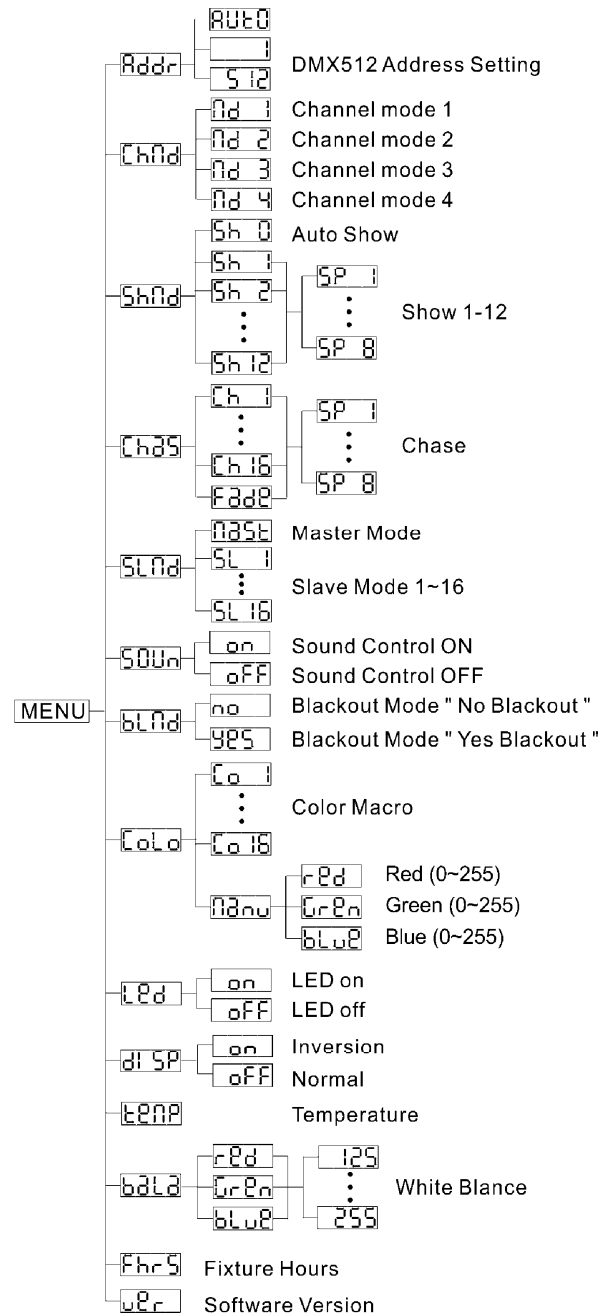
- **Important :** L'installation ne doit être effectuée que par un personnel qualifié. Une mauvaise installation peut entraîner des blessures et/ou dommages graves. Un montage au plafond exige une grande expérience ! Les limites de charge de fonctionnement doivent être respectées, des matériels d'installation certifiés doivent être utilisés, l'appareil installé doit être inspecté régulièrement pour vérifier les conditions de sécurité.
- Assurez-vous qu'aucune personne étrangère ne se trouve dans la zone en dessous de l'emplacement d'installation durant le montage, le démontage et l'entretien.
- L'appareil doit être installé hors de la portée des gens, loin des passages et des endroits où des personnes peuvent s'asseoir.
- Avant de soulever l'appareil, assurez-vous que le point de suspension peut supporter une charge d'au moins 10 fois le poids de l'appareil.
- Lors de l'installation de l'appareil, utilisez toujours un câble de sécurité certifié qui peut supporter 12 fois le poids de l'appareil. Ce support de suspension de sécurité secondaire doit être installé de manière à ce qu'aucune partie de l'installation ne puisse tomber de plus de 20 cm si le support principal lâche.
- L'appareil doit être bien fixé, un montage balançant est dangereux et ne doit pas être entrepris !
- Ne couvrez pas les ouvertures de ventilation, cela pourrait entraîner une surchauffe.
- L'opérateur doit s'assurer que la sécurité relative à l'installation et les conditions techniques sont approuvées par un expert avant d'utiliser l'appareil pour la première fois. Les installations doivent être inspectées chaque année par une personne qualifiée pour être sûr que la sécurité est toujours optimale.



COMMENT CONFIGURER :

MENU PRINCIPAL :

- Pour sélectionner l'une des options du menu, appuyez sur la touche **MENU** jusqu'à ce que l'option souhaitée soit affichée à l'écran.
- Sélectionnez la fonction avec la touche **ENTER**. L'affichage se met à clignoter.
- Utilisez les touches **BAS** et **HAUT** pour choisir l'option souhaitée.
- Une fois l'option souhaitée est sélectionnée, appuyez sur la touche **ENTER** pour sélectionner.
- Remarque : Maintenez appuyée la touche **MENU** pendant environ 2 secondes pour retourner au mode de fonctionnement ou patientez 8 secondes.



Addr Configuration de l'adresse DMX512

Utilisée pour définir l'adresse de départ dans une configuration DMX, vous pouvez également programmer automatiquement les projecteurs PLANO SPOT suivants dans la même chaîne DMX. Programmer une adresse de départ DMX dans une unité :

- Appuyez sur la touche **MENU** jusqu'à ce que **Addr** soit affiché à l'écran.
- Appuyez sur la touche **ENTER** pour sélectionner.
- Utilisez les touches **BAS** et **HAUT** pour changer l'adresse DMX512.
- Une fois la bonne adresse apparaît à l'écran, appuyez sur la touche **ENTER** pour confirmer.
- Appuyez sur la touche **MENU** pendant environ 2 secondes pour retourner au mode fonctionnement.

Programmer automatiquement les adresses DMX de départ de plusieurs unités dans une chaîne DMX :

- Connectez les entrées/sorties DMX de tous les projecteurs et allumez-les tous
- Sur la première unité de la chaîne :
 - Appuyez sur la touche **MENU** jusqu'à ce que **Addr** soit affiché à l'écran.
 - Appuyez sur la touche **ENTER** pour sélectionner.
 - Utilisez les touches **BAS** et **HAUT** pour changer l'adresse DMX512.
 - Une fois la bonne adresse apparaît à l'écran, appuyez 2 fois la touche **ENTER**.
 - Utilisez les touches **BAS** et **HAUT** jusqu'à ce que **RUt0** apparaisse à l'écran.
 - Appuyez sur la touche **ENTER** pour démarrer la programmation automatique → toutes les unités clignotent une fois pour indiquer que les adresses sont automatiquement réglées, commençant par l'adresse programmée dans la première unité.
 - Appuyez sur la touche **MENU** de la première unité pendant environ 2 secondes pour retourner au mode fonctionnement.

Exemple : Le premier projecteur a été mis à l'adresse DMX-100 → lorsque vous effectuez l'adressage automatique, les autres projecteurs dans la chaîne DMX recevront les adresses : 104, 108, 112, 116, ...

Chnd Mode Canal

L'unité dispose de 4 modes canal différents, chacun avec des fonctions différentes pour le 4^e canal. Reportez-vous au tableau DMX pour voir les différences.

- Appuyez sur la touche **MENU** jusqu'à ce que **Chnd** soit affiché à l'écran.
- Appuyez sur la touche **ENTER** pour sélectionner.
- Utilisez les touches **BAS** et **HAUT** pour sélectionner un des modes canal disponibles.
- Une fois le mode est sélectionné, appuyez sur la touche **ENTER** pour confirmer.
- Appuyez sur la touche **MENU** pendant environ 2 secondes pour retourner au mode fonctionnement.

Shnd Mode Show

Utilisé pour sélectionner l'un des shows multicanaux préprogrammés lorsqu'il est utilisé en mode autonome ou maître/esclave.

- Appuyez sur la touche **MENU** jusqu'à ce que **Shnd** soit affiché à l'écran.
- Appuyez sur la touche **ENTER** pour sélectionner.
- Utilisez les touches **BAS** et **HAUT** pour sélectionner l'un des shows programmés :
 - **Sh 0** → tous les shows présentés en mode aléatoire.
 - **Sh 1** à **Sh 12** → 12 différents shows intégrés.
- Sauf pour le show aléatoire (Show 0) il vous sera également demandé de sélectionner une vitesse de fonctionnement pour le mode statique. Avec les touches HAUT/BAS, vous pouvez sélectionner de **SP 1** (Lent) à **SP 8** (Rapide).
- Une fois le bon show est sélectionné, appuyez sur la touche **ENTER** pour confirmer.
- Appuyez sur la touche **MENU** pendant environ 2 secondes pour retourner au mode fonctionnement.

Chds Couleur du mode poursuite

Utilisé pour sélectionner l'un des fondus enchaînés préprogrammés lorsqu'il est utilisé en mode autonome ou mode maître/esclave. Tous les projecteurs produisent toujours une sortie identique.

- Appuyez sur la touche **MENU** jusqu'à ce que **Chds** soit affiché à l'écran.

- Appuyez sur la touche **ENTER** pour sélectionner.
- Utilisez les touches **BAS** et **HAUT** pour sélectionner l'un des shows programmés
- Vous serez également invité à sélectionner une vitesse de fonctionnement pour le mode statique. Avec les touches **HAUT/BAS**, vous pouvez sélectionner de **SP 1** (Lent) à **SP 8** (Rapide).
- Une fois le bon show est sélectionné, appuyez sur la touche **ENTER** pour confirmer.
- Appuyez sur la touche **MENU** pendant environ 2 secondes pour retourner au mode fonctionnement.

SLND Mode Esclave

En choisissant le bon mode esclave, vous pouvez améliorer l'effet des shows multicanaux.

Le premier esclave doit être en mode "SL 2", le second en mode "SL 3", etc. jusqu'à "SL 16".

- Appuyez sur la touche **MENU** jusqu'à ce que **SLND** soit affiché à l'écran.
- Appuyez sur la touche **ENTER** pour sélectionner.
- Utilisez les touches **BAS** et **HAUT** pour sélectionner l'un des modes esclave disponibles.
- Une fois le bon mode est sélectionné, appuyez sur la touche **ENTER** pour confirmer.
- Appuyez sur la touche **MENU** pendant environ 2 secondes pour retourner au mode fonctionnement.

SOUN Mode sonore

Utilisé pour choisir un mode sonore qui déclenche les shows.

- Appuyez sur la touche **MENU** jusqu'à ce que **SOUN** soit affiché à l'écran.
- Appuyez sur la touche **ENTER** pour sélectionner.
- Utilisez les touches **BAS** et **HAUT** pour sélectionner l'un des modes disponibles:
 - **ON** (Mode sonore ON (activé)) les shows sont déclenchés par le microphone interne.
 - **OFF** (Mode sonore OFF (désactivé)) les shows sont déclenchés par la vitesse sélectionnée avec les shows.
- Une fois le bon mode est sélectionné, appuyez sur la touche **ENTER** pour confirmer.
- Appuyez sur la touche **MENU** pendant environ 2 secondes pour retourner au mode fonctionnement.

BLND Mode Blackout

Mode Blackout : Lorsqu'aucun signal DMX n'est détecté, l'appareil passe en mode blackout.

Mode Non blackout : Lorsqu'aucun signal DMX n'est détecté, l'appareil passe automatiquement en mode maître.

Réglez toujours sur "No Blackout" lorsque l'appareil est utilisé en mode autonome ou master (maître/esclave) !

- Appuyez sur la touche **MENU** jusqu'à ce que **BLND** soit affiché à l'écran.
- Appuyez sur la touche **ENTER**.
- Utilisez les touches **BAS** et **HAUT** pour sélectionner **YES** (Oui) mode (blackout) ou **No** (non) (no blackout).
- Une fois le mode est sélectionné, appuyez sur la touche **ENTER** pour confirmer.
- Appuyez sur la touche **MENU** pendant environ 2 secondes pour retourner au mode fonctionnement.

COLA Couleur prédéfinie des modes

Permet de choisir l'une des 16 couleurs standards prédéfinies. Vous pouvez également définir vos propres couleurs personnalisées, basées sur les paramètres individuels pour le rouge, vert et bleu.

- Appuyez sur la touche **MENU** jusqu'à ce que **COLA** soit affiché à l'écran.
- Appuyez sur la touche **ENTER** pour sélectionner.
- Utilisez les touches **BAS** et **HAUT** pour sélectionner l'une des options disponibles:
 - Sélectionnez l'une des couleurs prédéfinies **CO 1** à **CO 16** et appuyez sur **ENTER** pour confirmer.
 - Sélectionnez **PRN** pour créer votre propre couleur et appuyez sur **ENTER** pour confirmer. Vous pouvez définir les 3 couleurs pour créer votre propre couleur personnalisée :
 - **RED** (rouge) : Appuyez sur **ENTER**. Puis utilisez les touches **Haut** et **Bas** pour définir une valeur entre 000 et 255. Validez avec la touche **ENTER**. Utilisez les touches Haut et Bas pour sélectionner la couleur suivante.
 - **GRN** (vert) : Appuyez sur **ENTER**. Puis utilisez les touches **Haut** et **Bas** pour définir une valeur entre 000 et 255. Validez avec le bouton **ENTER**. Utilisez les touches Haut et Bas pour sélectionner la couleur suivante.

- **BLUE** (bleue) : Appuyez sur **ENTER**. Puis utilisez les touches **Haut** et **Bas** pour définir une valeur entre 000 et 255. Validez avec la touche **ENTER**. Utilisez les touches Haut et Bas pour sélectionner la couleur suivante.
- Une fois les bons réglages sont effectués, appuyez sur la touche **MENU** pendant environ 2 secondes pour retourner au mode fonctionnement.

LED Affichage à LED

Activer l'affichage : L'écran est toujours allumé.

Désactiver l'affichage : L'écran est éteint lorsqu'il n'est pas utilisé.

- Appuyez sur la touche **MENU** jusqu'à ce que **LED** s'affiche à l'écran.
- Appuyez sur la touche **ENTER**.
- Utilisez les touches **BAS** et **HAUT** pour sélectionner **ON** (écran toujours allumé) ou **OFF** (écran éteint lorsqu'il n'est pas utilisé).
- Une fois le mode est sélectionné, appuyez sur la touche **ENTER** pour confirmer.
- Appuyez sur la touche **MENU** pendant environ 2 secondes pour retourner au mode fonctionnement.

DISP Inversion de l'affichage

Inversion de l'affichage : l'affichage est lisible lorsque l'appareil est monté à l'envers.

- Appuyez sur la touche **MENU** jusqu'à ce que **DISP** s'affiche à l'écran.
- Appuyez sur la touche **ENTER**, l'affichage se met à clignoter.
- Utilisez les touches **BAS** et **HAUT** pour sélectionner **ON** (inversion de l'affichage) ou **OFF** (affichage normal).
- Une fois le mode est sélectionné, appuyez sur la touche **ENTER** pour confirmer.
- Appuyez sur la touche **MENU** pendant environ 2 secondes pour retourner au mode fonctionnement.

TEMP Température du projecteur

- Appuyez sur la touche **MENU** jusqu'à ce que **TEMP** s'affiche à l'écran.
- Appuyez sur la touche **ENTER** pour afficher la température de l'appareil à l'écran.
- Pour retourner aux fonctions appuyez à nouveau sur la touche **MENU**.

BALC Régler la balance des blancs

Permet de régler la couleur blanche quand toutes les couleurs sont au maximum.

- Appuyez sur la touche **MENU** jusqu'à ce que **BALC** soit affiché à l'écran.
 - Appuyez sur la touche **ENTER**, l'affichage se met à clignoter.
 - Utilisez les touches **BAS** et **HAUT** pour sélectionner **RED** (rouge) ou **GRN** (vert) ou **BLU** (bleu).
 - Appuyez sur la touche **ENTER**, l'affichage se met à clignoter.
 - Utilisez les touches **BAS** et **HAUT** pour ajuster la valeur de 125 à 255 et appuyez sur **ENTER** pour confirmer.
 - Une fois le mode a été sélectionné, appuyez sur la touche **ENTER** pour confirmer.
- Pour retourner au menu principal sans aucun changement appuyez brièvement sur la touche **MENU**.
 Pour retourner au mode de fonctionnement normal : Maintenez enfoncée la touche **MENU** pendant environ 2 secondes.

Fhrs Heures liminaire

Utilisé pour afficher le nombre d'heures de fonctionnement de l'appareil.

- Appuyez sur la touche **MENU** jusqu'à ce que **Fhrs** soit affiché à l'écran.
- Appuyez sur la touche **ENTER** pour afficher le nombre d'heures de fonctionnement à l'écran.
- Appuyez sur la touche **MENU** pendant environ 2 secondes pour retourner au mode fonctionnement.

VER Version du logiciel

Utilisé pour afficher la version du logiciel de l'appareil.

- Appuyez sur la touche **MENU** jusqu'à ce que **VER** soit affiché à l'écran.
- Appuyez sur la touche **ENTER** pour afficher la version du logiciel de l'appareil.

- Appuyez sur la touche **MENU** pendant environ 2 secondes pour retourner au mode fonctionnement.

INSTRUCTIONS D'UTILISATION

A. Une unité autonome :

- Il suffit de brancher le projecteur au secteur.
- Sélectionnez l'un des modes automatiques ou sélectionnez une couleur fixe
- Sélectionnez le mode de contrôle statique ou sonore
- N'oubliez pas de régler le mode Blackout sur "NO Blackout" autrement rien ne se passe.**
- Reportez-vous au chapitre explique COMMENT CONFIGURER pour apprendre à faire les réglages précédents.

Remarque : Vous pouvez connecter une télécommande CA-8 à l'appareil si vous voulez avoir plus de contrôle.

B. Configuration de deux ou plusieurs unités en maître/esclave :

- Connectez ensemble 2 à un maximum de 16 unités. Reportez-vous au chapitre "Installation électrique" pour apprendre comment faire cela.
- Régler le mode esclave pour chaque projecteur : le premier doit être mis sur Maître et chaque projecteur esclave peut être réglé à son mode esclave spécifique (voir chapitre COMMENT CONFIGURER le mode esclave)
- Brancher toutes les unités au secteur et mettez de la musique. Les unités démarrent automatiquement au rythme de la musique et affichent les programmes de poursuite internes.
- N'oubliez pas de régler le mode Blackout sur "NO Blackout" autrement rien ne se passe.**

Remarque : Vous pouvez connecter une télécommande CA-8 ou LEDCON-02 à l'unité maître, si vous voulez avoir plus de contrôle sur le fonctionnement maître/esclave.

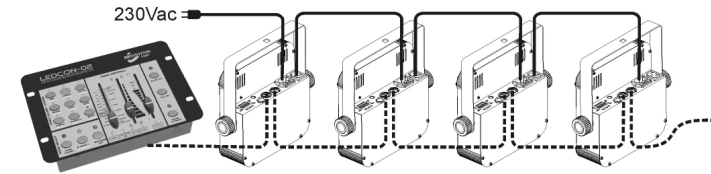
C. Connectez télécommande CA-8 optionnelle pour plus de contrôle :

La télécommande CA-8 ne peut être utilisée en mode autonome ou maître/esclave. Connectez la télécommande à l'entrée AC-8 de la première unité (maître). Maintenant, vous pouvez contrôler toutes les unités connectées :

TOUCHES	ACTIONS			
STANDBY	Extinction de tous les appareils			
FONCTION	1. Stroboscope synchrone en couleur blanche 2. La même couleur de poursuite 3. Couleur stroboscopique différente	Sélectionnez l'une des couleurs différentes.	Sélectionnez l'un des 12 différents shows multicanaux.	Sélectionnez l'un des différents modes de fondu.
MODE	Strobe (LED éteinte)	Sélection de couleur (LED allumée)	Sélection de Show (LED clignote lentement)	Sélection de poursuite (LED clignote rapidement)

D. Connecter une télécommande LEDCON-02 optionnelle pour plus de contrôle :

La télécommande LEDCON-02 ne peut être utilisée qu'en mode autonome ou master/esclave. Connectez la télécommande à l'entrée DMX de la première unité (maître). Assurez-vous que les projecteurs PLANO SPOT sont tous réglés sur mode1 canal (Md 1). Ainsi vous pouvez contrôler tous les appareils connectés en mode 4 ou 8 canaux. Reportez-vous au manuel d'utilisation de la télécommande LEDCON-02 pour plus d'informations sur l'adressage automatique.



E. Contrôlé par le contrôleur DMX universel :

- Connectez ensemble toutes les unités. Reportez-vous au chapitre "Installation électrique pour deux ou plusieurs unités en mode DMX" pour apprendre comment faire cela (n'oubliez pas d'adresser toutes les unités correctement !)
 - Brancher toutes les unités au secteur et allumez le contrôleur DMX.
- Etant donné que chaque unité possède sa propre adresse DMX, vous pouvez les contrôler individuellement. Rappelez-vous que chaque unité utilise 4 canaux DMX, comme indiqué dans le tableau DMX ci-dessous :

DMX512 Configuration						
Ch1	Ch2	Ch3	Ch4			
RED	GREEN	BLUE	DIMMER/STROBE (Mode1)	DIMMER (Mod2)	DIMMER/STROBE (Mode3)	DIMMER/STROBE (Mode4)
255-100% 0-0%	255-100% 0-0%	255-100% 0-0%	248-255 OPEN 201-247 191-200 SOUND 8-190 0-7 OFF	255-100% 0-0%	161-255 0-160	200-255 Color Macro 128-199 0-127

Le canal 4 peut avoir quatre comportements différents, selon le mode canal (1, 2, 3 ou 4) que vous avez sélectionné.

ENTRETIEN

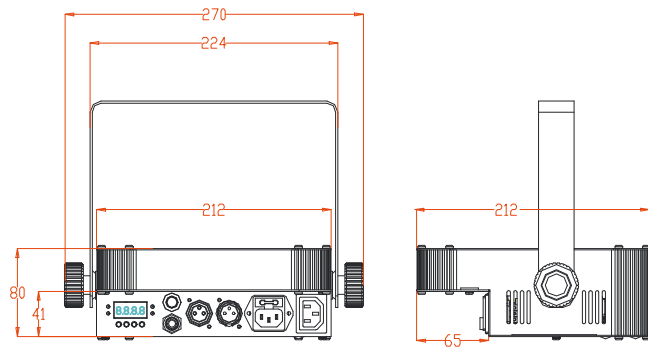
- Assurez-vous qu'aucune personne étrangère ne se trouve dans la zone en dessous de l'emplacement d'installation durant l'entretien.
 - Eteignez l'appareil, débranchez le câble secteur et attendez que l'appareil refroidisse.
- Lors de l'inspection les points suivants doivent être vérifiés :**
- Toutes les vis utilisées pour l'installation de l'appareil et chacune de ses composantes doivent être solidement fixées et ne peuvent être rouillées.
 - Les boîtiers, les supports et les boutons d'installation (plafond, poutre, suspensions) ne doivent pas être déformés.
 - Quand une lentille optique est visiblement endommagée en raison de fissures ou de rayures profondes, elle doit être remplacée.
 - Les câbles d'alimentation doit être dans un état impeccable et doivent être remplacés immédiatement même si un petit problème est détecté.
 - Afin de protéger l'appareil de toute surchauffe, les ventilateurs de rafraîchissement (le cas échéant) et les ouvertures de ventilation doivent être nettoyés mensuellement.
 - L'intérieur de l'appareil doit être nettoyé une fois par an à l'aide d'un aspirateur ou d'un jet d'air.

- Le nettoyage des lentilles optiques et/ou miroirs internes et externes doit être effectué périodiquement pour optimiser le flux lumineux. La fréquence de nettoyage dépend de l'environnement dans lequel l'appareil fonctionne : des environnements humides, enfumés ou particulièrement sales peuvent causer l'accumulation de saleté sur l'optique de l'appareil.
 - Nettoyez avec un chiffon doux en utilisant des produits de nettoyage pour verre normal.
 - Séchez toujours les pièces soigneusement.

Attention : Nous vous conseillons fortement de faire effectuer le nettoyage interne par un personnel qualifié !

SPÉCIFICATIONS

Tension d'entrée :	100-240V, 50/60HZ
Consommation :	28,5 Watts
Fusible :	250V 6,3A à action retardée (verre 20 mm)
Connecteurs d'entrée/sortie de chaînage IEC :	40 éléments
Réglage du son :	Microphone interne
Connexions DMX :	XLR 3 broches
Témoins :	7 LED 3IN1 3W
Angle de faisceau :	25°
Intensité lumineuse :	see chart below
Dimensions :	Voir dessin ci-dessous
Poids :	2,5 kg



Toutes les informations peuvent être modifiées sans préavis

Vous pouvez télécharger la dernière version de ce manuel sur notre site web : www.beglec.com

GEBRUIKSAANWIJZING

Hartelijk dank voor de aankoop van dit JB Systems® product .Om ten volle van alle mogelijkheden te profiteren en voor uw eigen veiligheid, lees deze gebruiksaanwijzing zorgvuldig voordat u met dit apparaat start.

KENMERKEN

Dit apparaat is radio-interferentie onderdrukt .Dit product voldoet aan de eisen van de huidige Europese en nationale richtlijnen .Overeenstemming is vastgesteld en de desbetreffende verklaringen en documenten zijn door de fabrikant gedeponeerd.

- Dit apparaat is ontworpen om decoratieve effectverlichting te produceren en wordt in lichtshowsystemen gebruikt.
- Super compacte RGB LED-projector, voorzien van 7 stuks zeer krachtige RGB 3 Watt LED's
- Dezelfde functionaliteit en vormfactor als de Plano Spot op basis van 5 mm LED's, maar veel helderder!
- Stralingshoek = 25° (medium spot)
- Vele toepassingen mogelijk: Discotheken, DJ's, tentoonstellingstands, woningen, ...
- Kan zoals elke standaard LED PAR met behulp van een standaard klem aan een ALU-drager worden bevestigd
- Kan onder elke mogelijke hoek als vloerprojector worden gebruikt
- Super compacte behuizing, perfect voor verhuurbedrijven!
- Zachte RGB-kleurovergangen dankzij de hoog frequente dimmerelektronica
- Verschillende werkmodi:
 - Standalone :aangepaste kleuren selecteerbaar of automatisch en ritmisch gesynchroniseerde kleurveranderingen
 - Master/Slave-modus: tot maximaal 16 units kunnen samen worden gebruikt voor prachtige voorgeprogrammeerde lichtshows die op muziek gesynchroniseerd zijn. (optionele CA-8-controller mogelijk)
 - DMX-besturing: 4 modi, 4 kanalen (R, G, B + dimmer/stroboscoop/geluid- chase)
 - Bestuurd door LEDCON-02 DJ-controller
- Verschillende manieren om het DMX-startadres in te stellen:
 - Snelle DMX-adressering op afstand met behulp van elke standaard DMX-controller
 - In de master/slave-modus kunt u automatisch alle units adresseren.
- IEC-netspanning in-/uitgangen: eenvoudig doorlussen van meerdere units.

VOÓR GEBRUIK

- Voordat u met het gebruik van dit apparaat start, controleer of er geen transportschade aanwezig is. Mocht er schade zijn, gebruik het apparaat niet en raadpleeg eerst uw dealer.
- Belangrijk:** Dit apparaat verliet de fabriek in perfecte staat en goed verpakt. Het is absoluut noodzakelijk voor de gebruiker om de veiligheidsinstructies en waarschuwingen in deze handleiding strikt op te volgen. Eventuele schade veroorzaakt door verkeerd gebruik valt niet onder de garantie. De dealer zal niet aansprakelijk worden gesteld voor eventuele fouten of problemen veroorzaakt door het negeren van deze handleiding.
- Bewaar dit boekje op een veilige plaats voor toekomstige raadpleging. Als u de armatuur verkoopt, zorg ervoor deze handleiding erbij te voegen.

Controleer de inhoud:

Controleer of de verpakking de volgende items bevat:

- Gebruiksaanwijzing
- PLANO SPOT
- Ophangbeugel
- 2 knoppen om de ophangbeugel vast te zetten

VEILIGHEIDSINSTRUCTIES:



OPGELET: Om het risico voor elektrische schokken te verkleinen, verwijder de bovenafdekking niet. Binnenin bevinden zich geen onderdelen die door de gebruiker onderhouden kunnen worden. Laat het onderhoud door gekwalificeerd onderhoudspersoneel uitvoeren.

- De bliksemschicht met pijl binnenin een gelijkzijdige driehoek is bedoeld om de gebruiker te waarschuwen op de aanwezigheid van ongeïsoleerde "gevaarlijke voltage" binnen de behuizing van het product dat van voldoende omvang is om een risico op elektrische schokken te vormen.
- Het uitroepteken binnen een gelijkzijdige driehoek is bedoeld om de gebruiker te waarschuwen op de aanwezigheid van belangrijke gebruiks- en onderhoudsinstructies in de documentatie die met dit apparaat meekomen.
- Dit symbool betekent: alleen gebruik binnenshuis.
- Dit symbool betekent: Lees de instructies.
- Dit symbool betekent: Veiligheidsklasse I apparaat.
- Dit symbool betekent: de minimale afstand van de verlichte objecten. De minimale afstand tussen de lichtbron en het verlichte oppervlak moet meer dan 1 meter zijn.
- Het apparaat is niet geschikt voor directe montage op normaal brandbare oppervlakken. (Alleen geschikt voor montage op onbrandbare oppervlakken.)

RISK GROUP 2
CAUTION:
Do not stare at operating lamp

OPGELET: Kijk niet naar een werkende lamp. Het kan schadelijk zijn voor de ogen.

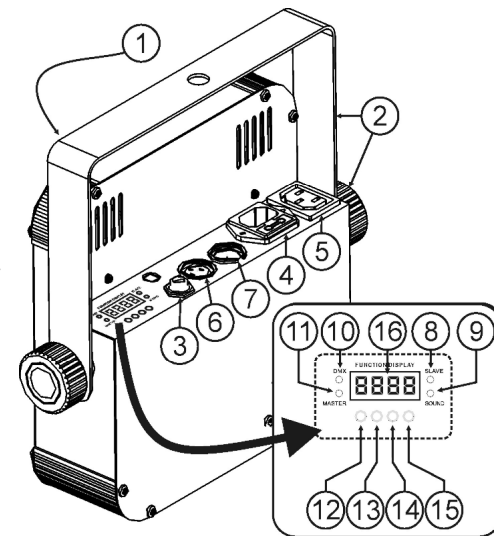
- Om het milieu te beschermen, probeer het verpakkingsmateriaal zoveel mogelijk te recyclen.
- Om vuur of elektrische schokgevaar te voorkomen, stel dit apparaat niet bloot aan regen of vocht.
- Om te voorkomen dat binnenin condensatie wordt gevormd, laat het apparaat aan de omgevingstemperatuur aanpassen wanneer het na transport in een warme kamer wordt gebracht. Condens verhindert soms het apparaat op volle capaciteit te werken of kan zelfs schade veroorzaken.
- Dit apparaat is uitsluitend geschikt voor gebruik binnenshuis.
- Plaats geen metalen voorwerpen of mors geen vloeistoffen in het toestel. Elektrische schokken of storing kan het gevolg zijn. Als een vreemd voorwerp in het apparaat terechtkomt, trek onmiddellijk de stekker uit het stopcontact.
- Plaats de armatuur op een goed geventileerde plek, verwijderd van brandbare materialen en/of vloeistoffen. De armatuur moet op minstens 50 cm vanaf de omringende muren worden bevestigd.
- Bedek geen ventilatieopeningen, omdat het tot oververhitting kan leiden.
- Voorkom het gebruik in stoffige omgevingen en maak het regelmatig schoon.
- Houd het apparaat buiten bereik van kinderen.
- Onervaren personen mogen dit apparaat niet bedienen.
- De maximaal veilige omgevingstemperatuur is 40 °C. Gebruik deze unit niet bij hogere omgevingstemperaturen.
- Zorg ervoor dat het gebied onder de installatieplaats tijdens het takelen, onttakelen en onderhoud vrij is van ongewenste personen.
- Laat het apparaat ongeveer 10 minuten afkoelen alvorens met onderhoud te beginnen.
- Ontkoppel altijd het apparaat wanneer het voor een langere tijd niet wordt gebruikt of alvorens het onderhoud te beginnen.
- De elektrische installatie dient alleen door gekwalificeerd personeel te worden uitgevoerd, in overeenstemming met de voorschriften voor elektrische en mechanische veiligheid in uw land.
- Controleer of de beschikbare spanning niet hoger is dan aangegeven op het apparaat.
- Het netsnoer moet altijd in perfecte staat zijn. Schakel het apparaat onmiddellijk uit als het netsnoer wordt platgedrukt of beschadigd. Als het netsnoer beschadigd is, moet deze door de fabrikant, zijn vertegenwoordiger, of door een vergelijkbaar bevoegde persoon worden vervangen, om een gevaar te voorkomen.
- Laat het netsnoer nooit met andere kabels in contact komen!
- Deze armatuur moet worden geaard om aan de veiligheidsvoorschriften te voldoen.
- Sluit het apparaat niet aan op een dimmerpack.
- Gebruik bij het installeren van het apparaat altijd een geschikte en gecertificeerde veiligheidskabel.
- Om elektrische schokken te voorkomen, open de afdekking niet. Er zijn geen door de gebruiker te repareren onderdelen binnenin het apparaat aanwezig.
- Repareer **nooit** een zekering of sluit nooit de zekeringhouder kort. Vervang **altijd** een kapotte zekering met een zekering van hetzelfde type en elektrische specificaties!

- In het geval van ernstige problemen, stop met het gebruik van de armatuur en neem onmiddellijk contact op met uw dealer.
- De behuizing en de lenzen moeten vervangen worden als ze zichtbaar beschadigd zijn.
- Gebruik de originele verpakking als het toestel vervoerd moet worden.
- Vanwege veiligheidsredenen is het verboden om ongeautoriseerde wijzigingen op het apparaat aan te brengen.

Belangrijk: Kijk nooit rechtstreeks in de lichtbron! Gebruik het effect niet in de aanwezigheid van personen die aan epilepsie lijden.

BESCHRIJVING:

1. Front met hardplastic klepje om de 5 mm LED's te beschermen.
2. Ophangbeugel met knoppen aan beide zijden om het apparaat te bevestigen en een montagegat om een ophangaak vast te haken.
3. 1/4" jack wordt gebruikt om de optionele CA-8-controller aan te sluiten
4. Lichtnetingang met IEC-aansluiting en geïntegreerde zekeringhouder, sluit hier het meegeleverde netsnoer op aan.
5. Lichtnetuitgang met IEC-busaansluiting: u kunt een speciale IEC-voedingskabel gebruiken om deze uitgang met de lichtnetingang van de volgende PLANO SPOT te verbinden voor eenvoudiger koppelen. (maximaal 40 units kunnen worden gekoppeld)
6. DMX-uitgangsconnector
7. DMX-ingangsconnector
8. Slave-LED: brandt wanneer de unit in de slave-modus is geschakeld
9. Geluid-LED: knippert op het ritme van de muziek, terwijl de unit in de audiomodus is geschakeld
10. DMX-LED: brandt wanneer de unit een DMX-sigitaal ontvangt
11. Master-LED: brandt als de unit als master is geschakeld
12. MENU-knop: wordt gebruikt om de verschillende menu-items te selecteren
13. OMLAAG-knop: om in het menu terug te gaan en de waarden op de display te verlagen.
14. OMHOOG-knop: om in het menu omhoog te gaan en de waarden op de display te verhogen.
15. ENTER-knop: Wordt gebruikt om uw keuze te bevestigen.
16. DISPLAY toont de verschillende menu's en de geselecteerde functies.



ELEKTRISCHE INSTALLATIE

Belangrijk: De elektrische installatie dient alleen door gekwalificeerd personeel te worden uitgevoerd, in overeenstemming met de voorschriften voor elektrische en mechanische veiligheid in uw land.

Elektrische installatie voor 1 stand-alone apparaat:

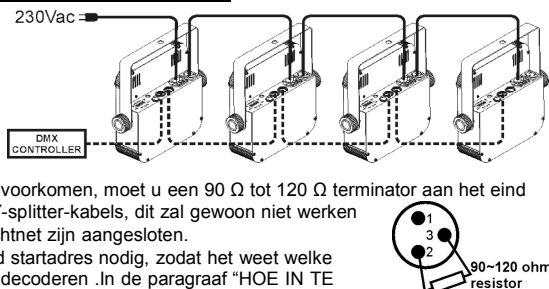
- Steek de voedingskabel in. De unit begint meteen in de laatst geselecteerde stand-alone-modus te werken.
 - Zie het hoofdstuk "HOE IN TE STELLEN" om te leren hoe tussen de statische en geluidsmodus te schakelen.
- Opmerking:** U kunt een CA-8-afstandsbediening op de unit aansluiten als u meer controle wilt hebben.

Elektrische installatie voor twee of meer apparaten in master/slave:

- Koppel 2 tot maximaal 16 apparaten met goede kwaliteit gebalanceerde microfoonkabels aan elkaar. De unit waar geen kabel op de DMX-ingang is aangesloten, is de "master", de anderen zijn de slave-units.
 - Zorg ervoor dat alle apparaten op het lichtnet zijn aangesloten.
 - Zie het hoofdstuk "HOE IN TE STELLEN" voor meer informatie.
 - Klaar!
- Opmerking :** U kunt een CA-8-afstandsbediening op de master-unit aansluiten als u meer controle over de master/slave-werking wilt hebben. U kunt ook de LEDCON 02-afstandsbediening aansluiten

Elektrische installatie voor twee of meer apparaten in DMX-modus:

- De DMX-protocol is een veel gebruikte hoge snelheids signaal om intelligent lichtapparatuur te bedienen. U moet uw DMX-controller in "daisychain" koppelen en alle aangesloten apparaten met een goede kwaliteit gebalanceerde kabel linken.



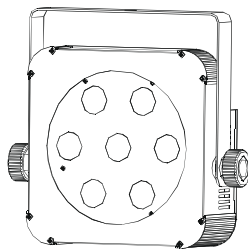
- Om vreemd gedrag van de lichteffecten als gevolg van storingen te voorkomen, moet u een 90 Ω tot 120 Ω terminator aan het eind van de keten gebruiken. Gebruik nooit Y-splitter-kabels, dit zal gewoon niet werken
- Zorg ervoor dat alle apparaten op het lichtnet zijn aangesloten.
- Elk lichteffect in de keten heeft een goed startadres nodig, zodat het weet welke commando's van de controller het moet decoderen. In de paragraaf "HOE IN TE STELLEN" leert u hoe de DMX-adressen moet instellen. Vergeet niet dat elke projector van 4 kanalen gebruik maakt, een mogelijk instellingsadres zou kunnen zijn: unit1 = 001 ~ unit2 = 005 ~ unit3 = 009 ~ unit4 = 013 ~ enz.

OPHANGEN BOVEN PERSONEN

- Belangrijk:** De installatie moet alleen worden uitgevoerd door gekwalificeerd onderhoudspersoneel. Onjuiste installatie kan tot ernstig letsel bij personen en schade aan goederen leiden. Hijzen boven personen vereist veel ervaring! Werklastgrenzen moeten in acht worden genomen, gecertificeerde installatiematerialen moeten worden gebruikt, het geïnstalleerde apparaat moet regelmatig worden gecontroleerd op veiligheid.

- Zorg ervoor dat het gebied onder de installatieplaats tijdens het ophangen, afhaken en onderhoud vrij is van ongewenste personen.
- Het apparaat moet buiten het bereik van mensen en buiten de gebieden waar personen kunnen lopen of zitten worden geïnstalleerd.
- Alvorens te hijsen, controleer of de installatieplek een minimum puntbelasting van 10 keer het gewicht van het apparaat kan dragen.

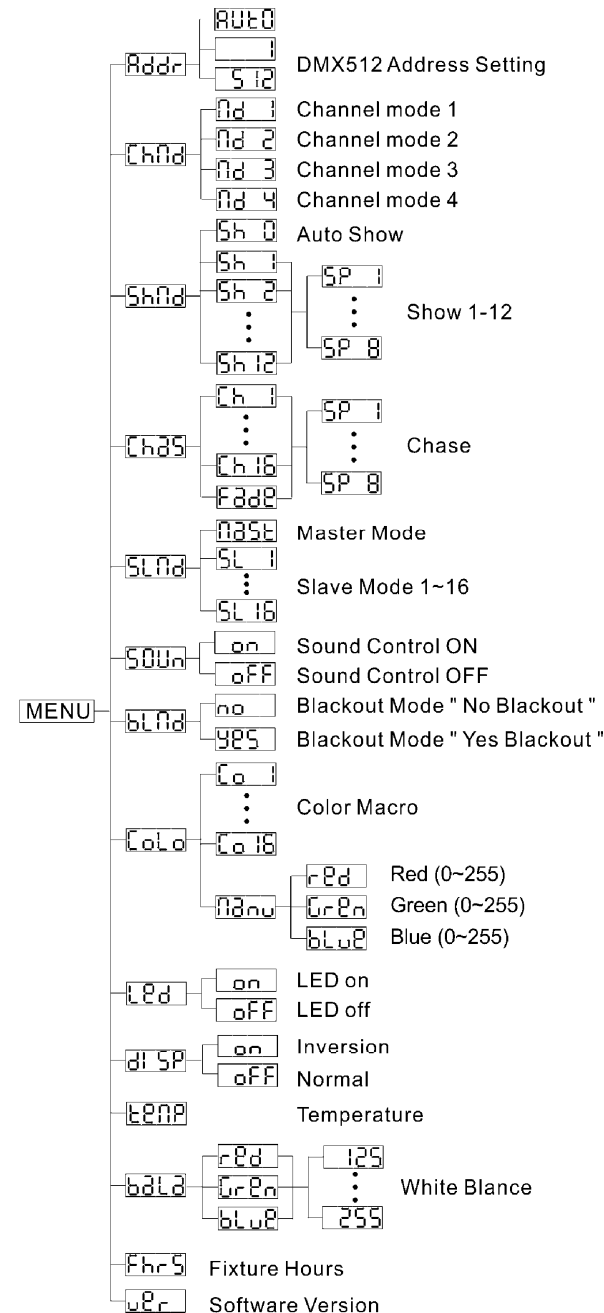
- Gebruik bij het installeren van het apparaat altijd een gewaarmerkte veiligheidskabel die 12 keer het gewicht van het apparaat kan dragen. Deze secundaire veiligheidsbevestiging dient op een zodanige wijze te worden geïnstalleerd zodat geen enkel onderdeel van de installatie meer dan 20 cm kan vallen als de hoofdbevestiging het begeeft.
- Het apparaat moet goed worden bevestigd; een vrij pendelende montage is gevaarlijk en mag niet worden overwogen!
- Bedek geen ventilatieopeningen, omdat het tot oververhitting kan leiden.
- De exploitant moet ervoor zorgen dat de veiligheidsgerelateerde en machinetechnische installaties door een deskundige zijn goedgekeurd alvorens deze voor de eerste keer te gebruiken. De installaties moeten ieder jaar door een vakman worden geïnspecteerd om er zeker van te zijn dat de veiligheid nog steeds optimaal is.



HOE IN TE STELLEN:

HOOFDMENU:

- Om een willekeurige menuoptie te selecteren druk op de "MENU"-knop totdat de gewenste optie op de display wordt weergegeven.
 - Selecteer de functie met de "ENTER"-knop. De display zal knipperen.
 - Gebruik "DOWN"- en "UP"-knop om de gewenste menuoptie te kiezen.
 - Zodra de gewenste menuoptie is geselecteerd, druk op de "ENTER"-knop om te bevestigen.
- Opmerking: Druk op en houd de "MENU"-knop ongeveer 2 seconden ingedrukt om naar de werkingsmodus terug te keren of wacht gewoon 8 seconden.



Addr DMX512-adres instellen

Wordt gebruikt om het startadres in een DMX-setup in te stellen, u kunt ook de volgende PLANO SPOT-projectoren in dezelfde DMX-keten automatisch programmeren.

Het programmeren van een DMX-startadres in 1 unit:

- Druk op en houd de "MENU"-knop ingedrukt totdat **Addr** op de display wordt weergegeven.
- Druk op de "ENTER"-knop om te bevestigen.
- Gebruik de "DOWN"- en "UP"-knoppen om het DMX512-adres te wijzigen.
- Zodra het juiste adres op de display wordt weergegeven, druk op de "ENTER"-knop om te bevestigen.
- Druk op en houd de "MENU"-knop ongeveer 2 seconden ingedrukt om naar de werkingsmodus terug te keren.

Het DMX-startadres van meerdere units in een DMX-keten automatisch programmeren:

- Sluit de DMX-in/uitgangen van alle projectoren op elkaar aan en zet ze allemaal aan.
- Met de eerste unit in de keten:
 - Druk op en houd de "MENU"-knop ingedrukt totdat **Addr** op de display wordt weergegeven.
 - Druk op de "ENTER"-knop om te bevestigen.
 - Gebruik de "DOWN"- en "UP"-knoppen om het DMX512-adres te wijzigen.
 - Zodra het juiste adres op de display wordt weergegeven, druk 2 keer op de "ENTER"-knop.
 - Gebruik hierna de "DOWN"- en "UP"-knoppen totdat **Auto** op de display wordt weergegeven.
 - Druk op de "ENTER"-knop om de automatische programmering te starten → alle units knipperen één keer om aan te geven dat de adressen automatisch worden ingesteld, te beginnen vanaf het adres geprogrammeerd in de eerste unit.
 - Druk op en houd de "MENU"-knop op de eerste unit ongeveer 2 seconden ingedrukt om naar de werkingsmodus terug te keren.

Voorbeeld: de eerste projector was ingesteld op DMX-adres 100 → als u de automatische adressering uitvoert, krijgen de andere projectoren in de DMX-keten de adressen: 104, 108, 112, 116,

...

Chnd Kanaalmodus

De unit heeft 4 verschillende kanaalmodi, elk met verschillende functies voor het 4e kanaal. Raadpleeg het DMX-schema om de verschillen te zien.

- Druk op en houd de "MENU"-knop ingedrukt totdat **Chnd** op de display wordt weergegeven.
- Druk op de "ENTER"-knop om te bevestigen.
- Gebruik de "DOWN"- en "UP"-knoppen om één van de beschikbare kanaalmodi te selecteren:
- Zodra de modus is geselecteerd, druk op de "ENTER"-knop om te bevestigen.
- Druk op en houd de "MENU"-knop ongeveer 2 seconden ingedrukt om naar de werkingsmodus terug te keren.

Shnd Showmodus

Wordt gebruikt om één van de voorgeprogrammeerde multi-kanaal shows te selecteren bij gebruik in stand-alone of master/slave-modus.

- Druk op en houd de "MENU"-knop ingedrukt totdat **Shnd** op de display wordt weergegeven.
- Druk op de "ENTER"-knop om te bevestigen.
- Gebruik de "DOWN"- en "UP"-knoppen om één van de voorgeprogrammeerde shows te selecteren:
 - **Sh 0** → alle shows in willekeurige volgorde afgespeeld.
 - **Sh 1** tot **Sh 12** → 12 verschillende ingebouwde shows.
- Behalve voor de show willekeurige in willekeurige volgorde (Show 0) wordt u ook gevraagd om een loopsnelheid voor de statische modus te selecteren. Met de "UP"- en "DOWN"- knoppen kunt u **SP 1** (langzaam) tot **SP 8** (snel) selecteren.
- Zodra de juiste show is geselecteerd, druk op de "ENTER"-knop om te bevestigen.
- Druk op en houd de "MENU"-knop ongeveer 2 seconden ingedrukt om naar de werkingsmodus terug te keren.

Chas Kleuren chase-modus

Wordt gebruikt om één van de voorgeprogrammeerde kleurvervagingen te selecteren bij gebruik in stand-alone of master/slave-modus. Alle projectoren zullen altijd een identieke uitvoer weergeven.

- Druk op en houd de "MENU"-knop ingedrukt totdat **Chas** op de display wordt weergegeven.
- Druk op de "ENTER"-knop om te bevestigen.
- Gebruik de "DOWN"- en "UP"-knoppen om één van de voorgeprogrammeerde shows te selecteren
- U zult ook gevraagd worden om een loopsnelheid voor de statische modus te selecteren. Met de "UP"- en "DOWN"- knoppen kunt u **SP 1** (langzaam) tot **SP 8** (snel) selecteren.
- Zodra de juiste show is geselecteerd, druk op de "ENTER"-knop om te bevestigen.
- Druk op en houd de "MENU"-knop ongeveer 2 seconden ingedrukt om naar de werkingsmodus terug te keren.

SLnd Slave-modus

Door de juiste slave-modus te kiezen, kunt u het effect van de multi-kanaal shows verbeteren.

De eerste slave moet in de "SL 2"-modus worden geschakeld, de tweede in de "SL 3"-modus, enz. tot "SL16".

- Druk op en houd de "MENU"-knop ingedrukt totdat **SLnd** op de display wordt weergegeven.
- Druk op de "ENTER"-knop om te bevestigen.
- Gebruik de "DOWN"- en "UP"-knoppen om één van de beschikbare slave-modi te selecteren:
- Zodra de juiste modus is geselecteerd, druk op de "ENTER"-knop om te bevestigen.
- Druk op en houd de "MENU"-knop ongeveer 2 seconden ingedrukt om naar de werkingsmodus terug te keren.

SOUn Geluidmodus

Wordt gebruikt voor het kiezen van de gewenste geluidsmodus om de shows te activeren.

- Druk op en houd de "MENU"-knop ingedrukt totdat **SOUn** op de display wordt weergegeven.
- Druk op de "ENTER"-knop om te bevestigen.
- Gebruik de "DOWN"- en "UP"-knoppen om één van de beschikbare modi te selecteren:
 - **On** (geluidmodus ON) → de shows worden door de interne microfoon geactiveerd.
 - **OFF** (geluidmodus OFF) → de shows worden geactiveerd door de snelheid geselecteerd met de shows.
- Zodra de juiste modus is geselecteerd, druk op de "ENTER"-knop om te bevestigen.
- Druk op en houd de "MENU"-knop ongeveer 2 seconden ingedrukt om naar de werkingsmodus terug te keren.

BLnd Blackout-modus

Blackout-modus: wanneer er geen DMX-signaal wordt gedetecteerd zal de unit black-out gaan.

Geen blackout-modus: wanneer geen DMX-signaal wordt gedetecteerd, schakelt de unit automatisch naar master-modus over.

Stel ALTIJD op "No Blackout" in wanneer de unit in stand-alone- of master-modus (master/slave) wordt gebruikt!

- Druk op en houd de "MENU"-knop ingedrukt totdat **BLnd** op de display wordt weergegeven.
- Druk op de "ENTER"-knop.
- Gebruik de "DOWN"- en "UP"-knop om "YES" (blackout) of "NO" (geen blackout) te selecteren.
- Zodra de modus is geselecteerd, druk op de "ENTER"-knop om te bevestigen.
- Druk op en houd de "MENU"-knop ongeveer 2 seconden ingedrukt om naar de werkingsmodus terug te keren.

CoLo Kleur voor-instellingenmodus

Wordt gebruikt om een van de 16 standaard ingestelde kleuren te kiezen. U kunt ook uw eigen kleur definiëren, gebaseerd op de individuele instellingen voor rood, groen en blauw.

- Druk op en houd de "MENU"-knop ingedrukt totdat **CoLo** op de display wordt weergegeven.
- Druk op de "ENTER"-knop om te bevestigen.
- Gebruik de "DOWN"- en "UP"-knoppen om één van de beschikbare opties te selecteren:
 - Selecteer één van de vooraf ingestelde kleuren **Co 1** tot **Co 16** en druk op de "ENTER"-knop om te bevestigen.

- Selecteer **0300** om uw eigen kleur te maken en druk op de “ENTER”-knop om te bevestigen. Nu kunt u de 3 kleuren instellen om uw eigen aangepaste kleur te maken:
 - **0200** (rood): druk op de “ENTER”-knop. Gebruik vervolgens de “DOWN”- en “UP”-knoppen om de waarde tussen 000 en 255 in te stellen. Bevestig met de “ENTER”-knop. Gebruik de “DOWN”- en “UP”-knoppen om de volgende kleur te selecteren.
 - **0100** (groen): druk op de “ENTER”-knop. Gebruik vervolgens de “DOWN”- en “UP”-knoppen om de waarde tussen 000 en 255 in te stellen. Bevestig met de “ENTER”-knop. Gebruik de “DOWN”- en “UP”-knoppen om de volgende kleur te selecteren.
 - **0400** (blauw): druk op de “ENTER”-knop. Gebruik vervolgens de “DOWN”- en “UP”-knoppen om de waarde tussen 000 en 255 in te stellen. Bevestig met de “ENTER”-knop. Gebruik de “DOWN”- en “UP”-knoppen om de volgende kleur te selecteren.
- Zodra de juiste instellingen zijn uitgevoerd; druk op en houd de “MENU”-knop ongeveer 2 seconden ingedrukt om naar de werkingsmodus terug te keren.

LED LED-display

Display aan :de display is altijd aan.

Display uit :de display is uit wanneer deze niet gebruikt wordt.

- Druk op en houd de “MENU”-knop ingedrukt totdat de display **LED** weergeeft.
- Druk op de “ENTER”-knop.
- Gebruik de “DOWN”- en “UP”-knoppen om **ON** (display altijd aan) of **OFF** (display uit wanneer niet gebruikt wordt) te selecteren.
- Zodra de modus is geselecteerd, druk op de “ENTER”-knop om te bevestigen.
- Druk op en houd de “MENU”-knop ongeveer 2 seconden ingedrukt om naar de werkingsmodus terug te keren.

DISP Weergave-inversie

Weergave-inversie: de weergave is leesbaar wanneer het apparaat ondersteboven is gemonteerd.

- Druk op en houd de “MENU”-knop ingedrukt totdat de display **DISP** weergeeft.
- Druk op de “ENTER”-knop, de display begint te knipperen.
- Gebruik de “DOWN”- en “UP”-knoppen om **ON** (display inversie) of **OFF** (normale weergave) te selecteren.
- Zodra de modus is geselecteerd, druk op de “ENTER”-knop om te bevestigen.
- Druk op en houd de “MENU”-knop ongeveer 2 seconden ingedrukt om naar de werkingsmodus terug te keren.

TEMP Armatuurtemperatuur

- Druk op en houd de “MENU”-knop ingedrukt totdat de display **TEMP** weergeeft.
- Druk op de “ENTER”-knop en de display zal de temperatuur van de unit weergegeven.
- Om naar de functies terug te gaan, druk weer op de “MENU”-knop.

BALD Witbalans aanpassen:

Maakt het mogelijk om de witte kleur aan te passen wanneer alle kleuren op maximum zijn.

- Druk op en houd de “MENU”-knop ingedrukt totdat **BALD** op de display wordt weergegeven.
 - Druk op de “ENTER”-knop, de display begint te knipperen.
 - Gebruik de “DOWN” en “UP”-knoppen om de kleur **RED** (rood) of **GRN** (groen) of **BLU** (blauw) te selecteren.
 - Druk op de “ENTER”-knop, de display begint te knipperen.
 - Gebruik de “DOWN” en “UP”-knoppen om de waarde van **125** tot **255** aan te passen en druk op de “ENTER”-knop om te bevestigen.
 - Zodra de modus is geselecteerd, druk op de “ENTER”-knop om te bevestigen.
- Om zonder enige wijziging naar het hoofdmenu terug te gaan, druk kort op de “MENU”-knop.
Als u naar de normale bedrijfsmodus wilt terugkeren: druk ongeveer 2 seconden lang op de “MENU”-knop.

Fhrs Uren van de armatuur

Wordt gebruikt om het aantal bedrijfsuren van het apparaat te tonen.

- Druk op en houd de “MENU”-knop ingedrukt totdat **Fhrs** op de display wordt weergegeven.
- Druk op de “ENTER”-knop om het aantal bedrijfsuren in de display weer te geven.
- Druk op en houd de “MENU”-knop ongeveer 2 seconden ingedrukt om naar de werkingsmodus terug te keren.

Ver Software-versie

Wordt gebruikt om de softwareversie van de unit weer te geven.

- Druk op en houd de “MENU”-knop ingedrukt totdat **Ver** op de display wordt weergegeven.
- Druk op de “ENTER”-knop om de softwareversie van de unit weer te geven.
- Druk op en houd de “MENU”-knop ongeveer 2 seconden ingedrukt om naar de werkingsmodus terug te keren.

GEBRUIKSAANWIJZING

A. **Standalone 1 unit:**

- Sluit eenvoudig de projector op het lichtnet aan.
- Selecteer één van de automatische modi of selecteer een vaste kleur
- Selecteer de statische of geluidgestuurde modus
- **Vergeet niet om de Blackout-modus op 'NO Blackout' in te stellen of er zal niets gebeuren.**
- Zie het hoofdstuk “HOE IN TE STELLEN” om te leren hoe de vorige instellingen gemaakt moeten worden.

Opmerking : U kunt een CA-8-afstandsbediening op de unit aansluiten als u meer controle wilt hebben.

B. **Twee of meer units in master/slave instellen:**

- Sluit 2 tot maximaal 16 units op elkaar aan. Raadpleeg het hoofdstuk “ELEKTRISCHE INSTALLATIE” om te leren hoe dit te doen.
- Stel de slave-modus voor elke projector in: de eerste unit moet op master worden ingesteld en elke slave-projector kan op de specifieke slave-modus worden ingesteld (zie de sectie “Slave-modus” in het hoofdstuk “HOE IN TE STELLEN”)
- Sluit alle units op het lichtnet aan en zet wat muziek op. De units zullen automatisch op het ritme van de muziek beginnen te werken en geven de interne chase programma's weer.
- **Vergeet niet om de Blackout-modus op 'NO Blackout' in te stellen of er zal niets gebeuren.**

Opmerking: U kunt een CA-8 of LEDCON-02 afstandsbediening op het apparaat aansluiten als u meer controle over de master/slave-werking wilt hebben.

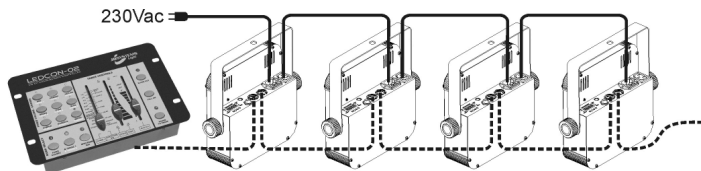
C. **Sluit de optionele CA-8-controller aan voor meer controle:**

De CA-8-controller kan alleen in de stand-alone- of master/slave-modus worden gebruikt. Sluit de controller aan op de CA-8-ingang van de eerste unit (master). Nu kunt u alle aangesloten units bedienen:

KNOP	ACTIES			
STAND-BY	Om alle armaturen blackout te schakelen			
FUNCTIE	1. Synchronie stroboscoop in witte kleur 2. Dezelfde kleuren chase 3. Verschillende kleuren stroboscoop	Selecteer één van de verschillende kleuren.	Selecteer één van de 12 verschillende multi-kanaal shows.	Selecteer één van de verschillende kleuren vervagingmodi.
MODUS	Stroboscoop (LED UIT)	Kleur selecteren (LED AAN)	Selecteer show (LED knippert langzaam)	Chase selecteren (LED knippert snel)

D. Sluit een optionele LEDCON-02-controller aan voor meer controle:

De LEDCON-02-controller kan alleen in de stand-alone- of master/slave-modus worden gebruikt. Sluit de controller aan op de DMX-ingang van de eerste unit (master). Zorg ervoor dat de PLANO SPOT-projectoren allemaal op kanaal mode1 (Md 1) zijn ingesteld. Nu kunt u alle aangesloten apparaten in de 4 of 8 kanaalsmodus besturen. Raadpleeg de handleiding van de LEDCON-02-controller voor meer informatie en automatisch adressering.



E. Bestuurd via de universele DMX-controller:

- Sluit alle units op elkaar aan. Raadpleeg het hoofdstuk "Elektrische installatie voor twee of meer apparaten in DMX-modus" om te leren hoe dit te doen (vergeet niet om alle units juist te adresseren!).
 - Sluit alle units op het lichtnet aan en zet de DMX-controller aan.
- Aangezien elke unit een eigen DMX-adres heeft, kunt u hen individueel bedienen. Vergeet niet dat elke eenheid 4 DMX-kanaalen gebruikt zoals in het onderstaande DMX-schema weergegeven:

DMX512 Configuration						
Ch1	Ch2	Ch3	Ch4			
RED	GREEN	BLUE	DIMMER/STROBE (Mode1)	DIMMER (Mod2)	DIMMER/STROBE (Mode3)	DIMMER/STROBE (Mode4)
255-100% 0-0%	255-100% 0-0%	255-100% 0-0%	248-255 OPEN 201-247 191-200 SOUND 8-190 0-7 OFF	255-100% 0-0%	161-255 0-160	200-255 Color Macro 128-199 0-127

Kanaal 4 kan vier verschillende gedragingen hebben, afhankelijk van de kanaalmodus (1, 2, 3 of 4) die u hebt geselecteerd.

ONDERHOUD

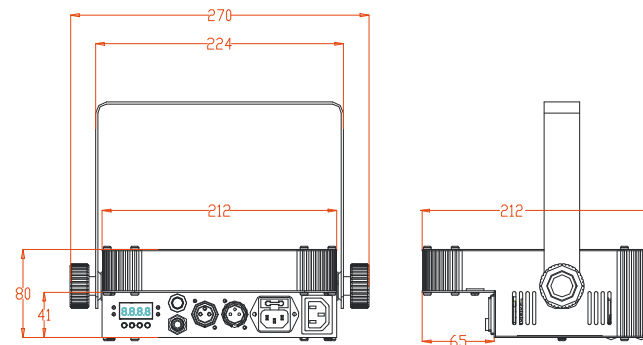
- Zorg ervoor dat het gebied onder de installatieplaats tijdens het takelen, onttakelen en onderhoud vrij is van ongewenste personen.
 - Schakel het apparaat uit, ontkoppel het netsnoer en wacht totdat het apparaat is afgekoeld.
- Tijdens de inspectie moeten de volgende punten worden gecontroleerd:**
- Alle schroeven gebruikt voor het installeren van het apparaat of onderdelen van het apparaat, moeten stevig worden bevestigd en mogen niet gecorrodeerd zijn.
 - Behuizingen, bevestigingen en installatieplaatsen (plafond, dragers, ophangingen) moeten volledig vrij van vervorming zijn.
 - Wanneer een optische lens zichtbaar door scheuren of diepe krassen is beschadigd, moet het worden vervangen.
 - De netsnoeren moeten in perfecte conditie zijn en onmiddellijk worden vervangen wanneer zelfs een klein probleem wordt gedetecteerd.

- Om het apparaat tegen oververhitting te beschermen moeten de ventilatoren (indien aanwezig) en ventilatieopeningen maandelijks worden gereinigd.
- Het interieur van het apparaat moeten jaarlijks met een stofzuiger of luchtstraal worden gereinigd.
- Het reinigen van de interne en externe optische lenzen en/of spiegels moet regelmatig worden uitgevoerd om de lichtopbrengst te optimaliseren. De frequentie van reiniging hangt af van de omgeving waarin de armatuur werkt: een vochtige, rokerige of bijzonder vuile omgeving kan leiden tot een grotere opeenhoping van vuil op de optiek van het apparaat.
 - Reinig met een zachte doek met behulp van normale reinigingsmiddelen voor glas.
 - Droog de onderdelen altijd zorgvuldig.

Opgelet: Wij raden nadrukkelijk aan om het inwendig reinigen door gekwalificeerd personeel uit te laten voeren!

SPECIFICATIES

- Energievoorziening:** 100-240V, 50/60HZ
- Energieverbruik:** 28,5 Watt
- Zekering:** 250V, 6,3 A traag (20 mm glas)
- IEC-in/uitgang doorlussen:** 40 stuks
- Geluidbesturing:** Ingebouwde microfoon
- DMX-aansluitingen:** XLR 3-pin
- LED's:** 7 LED's 3-IN-1, 3 W
- Straalhoek:** 25°
- Lichtsterkte:** zie tabel hieronder:
- Afmetingen:** zie tekening hieronder
- Gewicht:** 2,5 kg



Alle informatie is onderhevig aan verandering zonder voorafgaande kennisgeving. U kunt de nieuwste versie van deze handleiding van onze website downloaden: www.beglec.com.

BEDIENUNGSANLEITUNG

Vielen Dank für den Kauf dieses JBSystems®-Produkts. Bitte lesen Sie bitte diese Bedienungshinweise sorgfältig vor der Inbetriebnahme durch, um alle Möglichkeiten des Geräts voll zu nutzen sowie zu Ihrer eigenen Sicherheit.

EIGENSCHAFTEN

Das Gerät ist funktentstört und erfüllt die Anforderungen der europäischen und nationalen Bestimmungen. Die Konformität wurde nachgewiesen und die entsprechenden Erklärungen und Unterlagen liegen beim Hersteller vor.

- Dieses Gerät wird zur Erzeugung von dekorativen Beleuchtungseffekten in Lichtshows eingesetzt.
- Super-kompakter RGB LED-Projektor mit 7 RGB Hochleistungs-LEDs mit 3 Watt.
- Gleiche Funktionalität und Formfaktor wie Plano Spot, der auf 5 mm LEDs basiert, aber viel heller ist!
- Abstrahlwinkel = 25° (mittlerer Punkt).
- Viele Anwendungsmöglichkeiten: Diskotheken, DJs, Messestände, zu Hause,...
- Kann in einem ALU-Träger mittels einer Standardklemme wie jeder Standard-LED PAR befestigt werden.
- Kann unter jedem Projektionswinkel als Boden-Projektor verwendet werden.
- Sehr kompaktes Gehäuse, ideal für vermietende Unternehmen!
- Dank hoher Frequenz sehr weiche RGB-Farbwechsel.
- Verschiedene Betriebsmodi:
 - Einzelbetrieb: Benutzerdefinierte Farben wählbar oder automatische und musik-synchronisierte Farbwechsel.
 - Master/Slave: Bis zu 16 Geräte können zusammen für wunderschöne vorprogrammierte, musik-synchronisierte Lichtshows verwendet werden (optionaler CA-8-Controller möglich).
 - DMX-Steuerung: 4 Modi, 4 Kanäle (R, G, B + Dimmer / Stroboskop / Sound-Chase).
 - Durch LEDCON-02 DJ-Controller gesteuert.
- Verschiedene Möglichkeiten zum Einstellen der DMX-Startadresse:
 - Schnelle Fern-DMX-Adressierung über jeden handelsüblichen DMX-Controller.
 - Im Master-/Slave-Modus können Sie alle Einheiten automatisch adressieren.
- IEC Netz Ein-/Ausgänge: Leichtes Verkettung von mehreren Einheiten.

VOR DER ERSTBENUTZUNG

- Vor der Erstbenutzung bitte das Gerät zuerst auf Transportschäden überprüfen. Sollte das Gerät einen Schaden aufweisen, benutzen Sie es nicht, sondern wenn Sie sich unverzüglich an Ihren Händler.
- **Wichtiger Hinweis:** Dieses Gerät hat das Werk unbeschädigt und gut verpackt verlassen. Es ist wichtig, dass der Benutzer sich streng an die Sicherheitshinweise und Warnungen in der Bedienungsanleitung hält. Schäden durch unsachgemäße Handhabung sind von der Garantie ausgeschlossen. Der Händler übernimmt keine Verantwortung für Schäden, die durch Nichtbeachtung der Bedienungsanleitung hervorgerufen wurden.
- Die Bedienungsanleitung zum zukünftigen Nachschlagen bitte an einem sicheren Ort aufbewahren. Bei Verkauf oder sonstiger Weitergabe des Geräts bitte die Bedienungsanleitung beifügen.

Packungsinhalt prüfen:

Bitte überprüfen Sie, ob die Verpackung folgende Artikel enthält:

- Bedienungsanleitung
- PLANO SPOT
- Bügel zum Aufhängen
- 2 Knöpfe zum Befestigen der Bügel zum Aufhängen

SICHERHEITSHINWEISE



ACHTUNG: Um sich nicht der Gefahr eines elektrischen Schlags auszusetzen, entfernen Sie keines der Gehäuseteile. Im Geräteinneren befinden sich keine vom Benutzer wartbaren Teile. Überlassen Sie Reparatur- und Wartungsarbeiten dem qualifizierten Kundendienst.



Das Blitzsymbol innerhalb eines gleichseitigen Dreiecks warnt den Benutzer vor nicht isolierter „gefährlicher Spannung“ im Inneren des Produktgehäuses, die so stark sein kann, dass für Personen die Gefahr von Stromschlägen besteht.



Das Ausrufezeichen im Dreieck weist den Benutzer auf wichtige Bedienungs- und Wartungshinweise in den Dokumenten hin, die dem Gerät beiliegen.



Dieses Symbol bedeutet: Nur für den Einsatz im Innenbereich.



Dieses Symbol bedeutet: Die Bedienungsanleitung lesen.



Dieses Symbol bedeutet: Das Gerät besitzt Schutzklasse I.



Dieses Symbol legt fest: Den minimalen Abstand von beleuchteten Objekten. Der minimale Abstand zwischen Projektor und dem beleuchteten Objekt muss mehr als 1 Meter betragen.



Das Gerät eignet sich nicht für die direkte Montage auf gängigen entflammenden Oberflächen. (Nur für die Montage auf nichtbrennbare Oberflächen geeignet)



ACHTUNG: Nicht direkt in die Lichtquelle blicken. Das kann für die Augen schädlich sein.

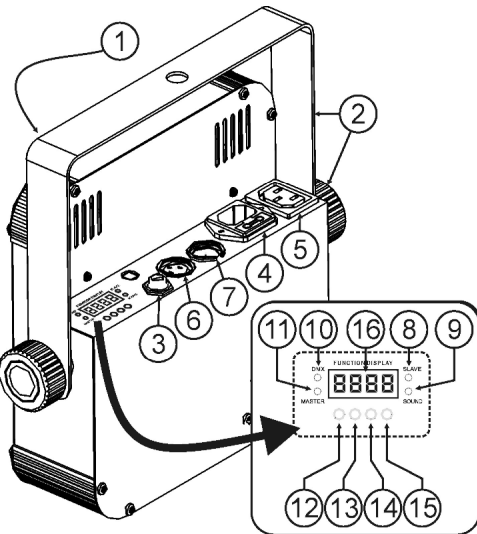
- Aus Umweltschutzgründen Verpackung bitte wiederverwenden oder richtig trennen.
- Zur Vermeidung von Feuer und Stromschlag Gerät weder Regen noch Feuchtigkeit aussetzen.
- Zur Vermeidung von Kondensation im Inneren des Geräts bitte nach dem Transport in eine warme Umgebung einige Zeit zum Temperatúrausgleich ausgeschaltet stehen lassen. Kondensation kann zu Leistungsverlust des Geräts oder gar Beschädigung führen.
- Nur für den Einsatz im Innenbereich.
- Keine Metallgegenstände oder Flüssigkeiten ins Innere des Geräts gelangen lassen. Ein Kurzschluss oder eine Fehlfunktion können die Folge sein. Falls es doch einmal vorkommen sollte, bitte sofort den Netzstecker ziehen und vom Stromkreis trennen.
- Das Gerät nur an einem gut belüfteten Ort und entfernt von entflammenden Materialien oder Flüssigkeiten aufstellen. Der Mindestabstand an allen Seiten muss **mindestens 50cm** betragen.
- Die Ventilationsöffnungen nicht abdecken, da Überhitzungsgefahr.
- Nicht in staubiger Umgebung verwenden und regelmäßig reinigen.
- Für Kinder unerreichbar aufbewahren.
- Unerfahrene Personen dürfen das Gerät nicht bedienen.
- Umgebungstemperatur darf 40°C nicht überschreiten. Das Gerät bei höheren Raumtemperaturen nicht verwenden.
- Stellen Sie sicher, dass sich während des Auf- oder Abbaus und der Wartung keine unbefugten Personen unterhalb des Geräts befinden.
- Lassen Sie das Gerät etwa 10 Minuten abkühlen, bevor Sie mit der Wartung beginnen.
- Stets den Netzstecker ziehen, wenn das Gerät für einen längeren Zeitraum nicht genutzt oder es gewartet wird.
- Die elektrische Installation darf nur von qualifiziertem Personal, unter Beachtung der Vorschriften zur elektrischen und mechanischen Sicherheit in Ihrem Land durchgeführt werden.
- Stellen Sie sicher, dass Netzspannung mit Geräteaufkleber übereinstimmt.
- Das Gerät nicht mit einem beschädigten Netzkabel in Betrieb nehmen. Wenn das Netzkabel quetscht oder beschädigt wurde, schalten Sie das Gerät sofort aus. Im Falle von Beschädigungen muss das Netzkabel vom Hersteller, einem autorisierten Kundendienstmitarbeiter oder einer ähnlich qualifizierten Person ersetzt werden, um Gefährdungen zu vermeiden.
- Lassen Sie das Netzkabel niemals mit anderen Kabeln in Berührung kommen!
- Zur Einhaltung der Sicherheitsbestimmungen muss das Gerät geerdet sein.
- Das Gerät nicht an einen Dimmer anschließen.
- Ausschließlich vorschriftsmäßige Kabel zur Installation verwenden.
- Zur Vorbeugung gegen elektrische Schläge keine Abdeckungen entfernen. Im Geräteinneren befinden sich keine zu wartenden Teile.
- Eine Sicherung **niemals** reparieren oder überbrücken. Eine durchgebrannte Sicherung **stets** durch eine gleichwertige Sicherung ersetzen!
- Bei Fehlfunktion das Gerät nicht benutzen und sich mit dem Händler in Verbindung setzen.
- Bei sichtbaren Beschädigungen müssen Gehäuse und Optik ersetzt werden.

- Bei Transport bitte die Originalverpackung verwenden, um Schäden am Gerät zu vermeiden.
- Aus Sicherheitsgründen dürfen an dem Gerät keine unbefugten Veränderungen vorgenommen werden.

Wichtiger Hinweis: Nicht direkt in die Lichtquelle blicken! Das Gerät nicht verwenden, wenn sich Personen im Raum befinden, die unter Epilepsie leiden.

BESCHREIBUNG:

1. Frontabdeckung aus stabilem Kunststoff, um die 5 mm LEDs zu schützen.
2. Bügel zum Aufhängen mit zwei Knöpfen auf jeder Seite zur Befestigung des Geräts und einer Montageöffnung, um einen Montagehaken zu befestigen.
3. ¼ Zoll Buchse zum Anschluss einer optionalen CA-8-Fernsteuerung.
4. Netzanschluss mit IEC-Buchse mit integrierter Sicherung zum Anschluss des Netzkabels.
5. Netzausgang mit IEC-Anschlussbuchse: Sie können ein spezielles IEC-Stromkabel verwenden, um diesen Ausgang leichter mit dem Netzeingang des folgenden PLANO SPOT zu verbinden (max. 40 Geräte können verbunden werden).
6. DMX-Ausgangsanschluss
7. DMX-Eingangsanschluss
8. Slave-LED: Leuchtet auf, wenn sich das Gerät im Slave-Modus befindet.
9. Sound-LED: Blinkt im Takt der Musik, wenn sich das Gerät im Audiomodus befindet.
10. DMX-LED: Leuchtet auf, wenn das Gerät ein DMX-Signal erhält.
11. Master-LED: Leuchtet auf, wenn das Gerät als Master eingestellt wurde.
12. MENU-Taste: Zum Wählen der verschiedenen Menüpunkte.
13. ABWÄRTS-Taste: Zum Zurückgehen im Menü und zum Verringern der auf dem Display angezeigten Werte.
14. AUFWÄRTS-Taste: Zum Vorwärtsgen im Menü und zum Erhöhen der auf dem Display angezeigten Werte.
15. ENTER-Taste: Bestätigen der Auswahl.
16. DISPLAY: Zeigt die verschiedenen Menüs und die gewählten Funktionen an.



ELEKTRISCHE INSTALLATION

Wichtiger Hinweis: Die elektrische Installation darf nur von qualifiziertem Personal, unter Beachtung der Vorschriften zur elektrischen und mechanischen Sicherheit in Ihrem Land durchgeführt werden.

Montage einer Einzeleinheit:

- Stecken Sie einfach den Netzstecker in eine Steckdose. Das Gerät fängt sofort im zuletzt gewählten Stand-Alone-Modus an zu arbeiten.
- Schlagen Sie im Kapitel „EINSTELLUNGSANLEITUNG“ nach, um zu erfahren, wie man zwischen statischem und Sound-Modus wechselt.

Hinweis: Sie können eine CA-8 Fernbedienung an das Gerät anschließen, wenn Sie weitere Steuerungsmöglichkeiten verwenden möchten.

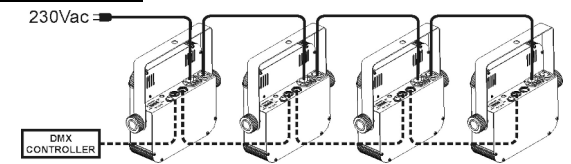
Die elektrische Installation für zwei oder mehr Geräte in Master/Slave-Modus:

- Verbinden Sie 2 bis maximal 16 Einheiten unter Verwendung hochwertiger Mikrofonkabel miteinander. Das Gerät, ohne ein am DMX-Eingang angeschlossenes Kabel, ist der „Master“, die anderen sind die „Slave“-Einheiten.
- Stellen Sie sicher, dass alle Geräte ans Netz angeschlossen sind.
- Schlagen Sie im Kapitel „EINSTELLUNGSANLEITUNG“ für weitere Informationen nach.
- Fertig!

Hinweis: Sie können einen Fernsteuerungscontroller CA-8 das Master-Gerät anschließen, wenn Sie zusätzliche Steuerungsmöglichkeiten des Master-/Slave-Betriebs verwenden möchten. Sie können auch die Fernbedienung LEDCON 02 anschließen.

Montage von zwei oder mehr Einheiten im DMX-Modus:

- Das DMX-Protokoll ist ein gängiges Hochgeschwindigkeitssignal, um intelligente Lichtsysteme zu steuern. Sie müssen Ihren DMX-Controller und alle angeschlossenen Geräte mit einem hochwertigen symmetrischen Kabel hintereinander schalten (Daisy Chain).

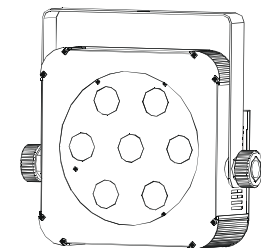


- Um durch Interferenzen verursachte Fehlfunktionen der Lichteffekte zu vermeiden, müssen Sie die Kette mit einem 90Ω bis 120Ω Abschlusswiderstand abschließen. Verwenden Sie niemals Y-Splitter-Kabel, das funktioniert einfach nicht!
- Stellen Sie sicher, dass alle Geräte ans Netz angeschlossen sind.
- Jeder Lichteffekt in der Kette muss seine eigene Startadresse haben, damit er erkennt, welche Befehle des Controllers er entschlüsseln muss. In Abschnitt „EINSTELLUNGSANLEITUNG“ erfahren Sie, wie man die DMX-Adressen einstellt. Denken Sie daran, dass jeder Projektor 4 Kanäle verwendet. Eine mögliche Adresseneinrichtung könnte sein: Einheit 1 = 001 – Einheit 2 = 005 – Einheit 3 = 009 – Einheit 4 = 013 – usw.



ÜBERKOPF-MONTAGE

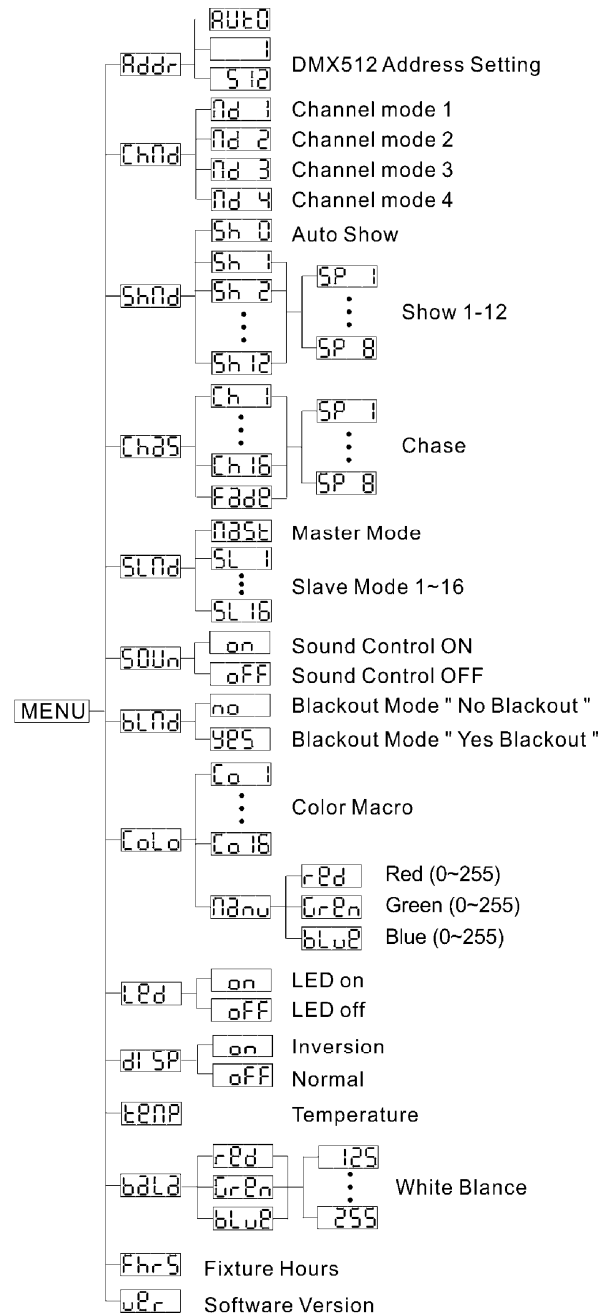
- **Wichtiger Hinweis:** Die Montage ausschließlich durch qualifiziertes Fachpersonal durchführen lassen. Unvorschriftsmäßiger Einbau kann erhebliche Verletzungen und/oder Schäden verursachen. Die Überkopf-Montage setzt die entsprechende Erfahrung voraus! Die Belastungsgrenzen müssen beachtet, geeignetes Installationsmaterial muss verwendet und das installierte Gerät muss in regelmäßigen Abständen überprüft werden.
- Stellen Sie sicher, dass sich während des Auf- oder Abbaus und der Wartung keine unbefugten Personen unterhalb des Geräts befinden.
- Das Gerät außerhalb der Reichweite von Personen und nicht in niedrigen Durchgängen oder in der Nähe von Sitzgelegenheiten installieren.
- Vor Montage sicherstellen, dass die gewählte Position wenigstens das 10-fache Gerätegewicht aufnehmen kann.
- Zur Aufhängung stets geeignetes Befestigungsmaterial verwenden, das das 12-fache Gerätegewicht aushalten kann. Eine zweite Sicherungsaufhängung muss angebracht werden, die ein Absacken des Geräts von mehr als 20 cm verhindert, sollte die Befestigung brechen.
- Das Gerät gut befestigen. Eine freischwingende Aufhängung ist gefährlich und sollte auf gar keinen Fall in Betracht gezogen werden!
- Die Ventilationsöffnungen nicht abdecken, da Überhitzungsgefahr.
- Der Betreiber muss sicherstellen, dass die sicherheitsrelevanten und technischen Installationen vor Erstbetrieb fachmännisch vorgenommen worden sind. Installationen sollten jährlich durch qualifiziertes Fachpersonal überprüft werden, um jederzeit einen sicheren Betrieb zu gewährleisten.



EINSTELLUNGSANLEITUNG:

HAUPTMENÜ:

- Um eine der Menüoptionen auszuwählen, drücken Sie so oft MENU, bis die gewünschte Option auf dem Display erscheint.
 - Wählen Sie mit ENTER die Funktion. Das Display blinkt.
 - Wählen Sie mit DOWN (ABWÄRTS) und UP (AUFWÄRTS) die gewünschte Menüoption.
 - Sobald die gewünschte Menüoption gewählt wurde, bestätigen Sie mit ENTER.
- Hinweis: Halten Sie MENU für ungefähr 2 Sekunden gedrückt, um zum Betriebsmodus zurückzukehren oder warten Sie einfach 8 Sekunden.



Addr DMX512 Adresseinstellung

Wird verwendet, um die Startadresse in einem DMX-Setup einzustellen. Sie können auch die nächsten PLANO SPOT-Projektoren in der gleichen DMX-Kette automatisch programmieren. Programmieren einer DMX-Startadresse in 1 Gerät:

- Drücken Sie die Taste MENU, bis Addr auf dem Display angezeigt wird.
- Zur Auswahl ENTER drücken.
- Ändern Sie die DMX512-Adresse nun mit den Tasten DOWN und UP.
- Sobald die richtige Adresse im Display angezeigt wird, bestätigen Sie mit ENTER.

Automatische Programmierung der DMX Startadressen von mehreren Einheiten in einer DMX-Kette:

- Schließen Sie die DMX-Ein-/Ausgänge aller Projektoren zusammen an und schalten Sie sie alle ein.
- An der ersten Einheit in der Kette:
 - Drücken Sie die Taste MENU, bis Addr auf dem Display angezeigt wird.
 - Zur Auswahl ENTER drücken.
 - Ändern Sie die DMX512-Adresse nun mit den Tasten DOWN und UP.
 - Sobald die richtige Adresse auf dem Display angezeigt wird, drücken Sie 2 Mal ENTER.
- Danach verwenden Sie die Tasten DOWN und UP, bis RUt0 auf dem Display angezeigt wird.
- Starten Sie mit ENTER die automatische Programmierung → alle Einheiten blinken einmal auf, um anzuzeigen, dass die Adressen automatisch eingestellt werden, beginnend mit der Adresse, die in die erste Einheit programmiert wurde.
- Halten Sie MENU an der ersten Einheit ungefähr 2 Sekunden gedrückt, um in den Betriebsmodus zurückzukehren.

Beispiel: Der erste Projektor wurde auf die DMX-Adresse 100 eingestellt → wenn Sie die automatische Adressierung durchführen, erhalten die anderen Projektoren in der DMX-Kette die Adressen: 104, 108, 112, 116, ...

Chnd Modus „Channel“

Das Gerät verfügt über 4 verschiedene Kanal-Modi, jeder mit unterschiedlichen Funktionen für den 4. Kanal. Schlagen Sie in der DMX-Tabelle für die Unterschiede nach.

- Drücken Sie die Taste MENU, bis Chnd auf dem Display angezeigt wird.
- Zur Auswahl ENTER drücken.
- Wählen Sie mit DOWN (Abwärts) und UP (Aufwärts) einen der möglichen Kanal-Modi:
- Wenn der gewünschte Modus eingestellt ist, bestätigen Sie diesen mit ENTER.
- Halten Sie MENU ungefähr 2 Sekunden gedrückt, um in den Betriebsmodus zurückzukehren.

Shnd Modus „Show“

Auswahl einer der vorprogrammierten Mehrkanal-Shows bei Benutzung im Standalone- oder Master/Slave-Modus

- Drücken Sie die Taste MENU, bis Shnd auf dem Display angezeigt wird.
- Zur Auswahl ENTER drücken.
- Benutzen Sie DOWN (Abwärts) und UP (Aufwärts), um eine der vorprogrammierten Shows zu wählen:
 - Sh 0 → Alle Shows werden im Zufallsmodus abgespielt.
 - Sh 1 bis Sh 12 → 12 unterschiedliche integrierte Shows.
- Mit Ausnahme der zufällig gezeigten Show (Show 0), werden Sie auch gebeten, eine Laufgeschwindigkeit für den statischen Modus auszuwählen. Mit DOWN (Abwärts)/UP (Aufwärts) können Sie SP 1 (langsam) bis SP 8 (schnell) wählen.
- Wenn die richtige Show gewählt wurde, bestätigen Sie mit ENTER.
- Halten Sie MENU ungefähr 2 Sekunden gedrückt, um in den Betriebsmodus zurückzukehren.

Chds Farb-Chasemodus

Auswahl eines der vorprogrammierten Farbfaders bei Benutzung im Standalone- oder Master/Slave-Modus Alle Projektoren zeigen stets eine identische Ausgabe.

- Drücken Sie die Taste MENU, bis Chds auf dem Display angezeigt wird.
- Zur Auswahl ENTER drücken.
- Benutzen Sie DOWN (Abwärts) und UP (Aufwärts), um eine der vorprogrammierten Shows zu wählen.

- Sie werden auch gebeten, eine Laufgeschwindigkeit für den statischen Modus auszuwählen. Mit DOWN (Abwärts)/UP (Aufwärts) können Sie (langsam) bis (schnell) wählen.
- Wenn die richtige Show ausgewählt wurde, bestätigen Sie mit **ENTER**.
- Halten Sie **MENU** ungefähr 2 Sekunden gedrückt, um in den Betriebsmodus zurückzukehren.

Slave-Modus

Durch die Auswahl des richtigen Slave-Modus können Sie die Wirkung der Mehrkanal-Shows verbessern.

Der erste Slave muss sich im „SL 2“-Modus, der zweite im „SL 3“-Modus, usw. bis „SL16“ befinden.

- Drücken Sie die Taste **MENU**, bis auf dem Display angezeigt wird.
- Zur Auswahl **ENTER** drücken.
- Wählen Sie mit DOWN (Abwärts) und UP (Aufwärts) einen der verfügbaren Slave-Modi:
- Wenn der richtige Modus gewählt wurde, bestätigen Sie mit **ENTER**.
- Halten Sie **MENU** ungefähr 2 Sekunden gedrückt, um in den Betriebsmodus zurückzukehren.

Modus „Sound“

Zum Auswählen des gewünschten Sound-Modus zum Auslösen der Shows.

- Drücken Sie die Taste **MENU**, bis auf dem Display angezeigt wird.
- Zur Auswahl **ENTER** drücken.
- Wählen Sie mit DOWN (Abwärts) und UP (Aufwärts) einen der verfügbaren Modi:
 - (Sound-Modus ON) → Die Show wird über das interne Mikrofon ausgelöst.
 - (Sound-Modus OFF) → Die Show wird über die Geschwindigkeit ausgelöst, die mit den Shows gewählt wurde.
- Wenn der richtige Modus gewählt wurde, bestätigen Sie mit **ENTER**.
- Halten Sie **MENU** ungefähr 2 Sekunden gedrückt, um in den Betriebsmodus zurückzukehren.

Modus „Blackout“

Blackout-Modus EIN: Wird kein DMX-Signal erkannt, geht das Gerät in Blackout.

Blackout-Modus AUS: Wird kein DMX-Signal erkannt, schaltet das Gerät automatisch auf Master um.

Stellen Sie STETS „No Blackout“ ein, wenn sich die Einheit im Standalone- oder Master (Master/Slave)-Modus befindet!!!

- Drücken Sie die Taste **MENU**, bis auf dem Display angezeigt wird.
- Drücken Sie **ENTER**.
- Wählen Sie mit DOWN (Abwärts) und UP (Aufwärts) YES (Blackout) oder NO (kein Blackout).
- Wenn der gewünschte Modus eingestellt ist, bestätigen Sie diesen mit **ENTER**.
- Halten Sie **MENU** ungefähr 2 Sekunden gedrückt, um in den Betriebsmodus zurückzukehren.

Farb-Voreinstellungsmodus

Auswahl einer der 16 standardmäßig voreingestellten Farben. Sie können auch Ihre eigenen Farben definieren, basierend auf individuellen Einstellungen für Rot, Grün und Blau.

- Drücken Sie die Taste **MENU**, bis auf dem Display angezeigt wird.
- Zur Auswahl **ENTER** drücken.
- Wählen Sie mit DOWN (Abwärts) und UP (Aufwärts) eine der verfügbaren Optionen:
 - Wählen Sie eine der voreingestellten Farben bis und bestätigen Sie mit **ENTER**.
 - Wählen Sie , um Ihre eigene Farbe zu erstellen und bestätigen Sie mit **ENTER**. Jetzt können Sie die 3 Farben einstellen, um Ihre eigene Farbe zu schaffen:
 - (rot): Drücken Sie **ENTER**. Anschließend stellen Sie mit DOWN (Abwärts) und UP (Aufwärts) den Wert zwischen 000 und 255 ein. Bestätigen Sie mit **ENTER**. Wählen Sie mit DOWN (Abwärts) und UP (Aufwärts) die nächste Farbe.
 - grün Drücken Sie **ENTER**. Anschließend stellen Sie mit DOWN (Abwärts) und UP (Aufwärts) den Wert zwischen 000 und 255 ein. Bestätigen Sie mit **ENTER**. Wählen Sie mit DOWN (Abwärts) und UP (Aufwärts) die nächste Farbe.
 - blau Drücken Sie **ENTER**. Anschließend stellen Sie mit DOWN (Abwärts) und UP (Aufwärts) den Wert zwischen 000 und 255 ein. Bestätigen Sie mit **ENTER**. Wählen Sie mit DOWN (Abwärts) und UP (Aufwärts) die nächste Farbe.

- Sobald Sie die richtigen Einstellungen gemacht haben, halten Sie **MENU** ungefähr 2 Sekunden gedrückt, um in den Betriebsmodus zurückzukehren.

LED-Display

Display EIN: Das Display ist ständig eingeschaltet.

Display AUS: Das Display ist ausgeschaltet, wenn nicht benutzt.

- Drücken Sie die Taste **MENU**, bis „“ auf dem Display angezeigt wird.
- Drücken Sie **ENTER**.
- Verwenden Sie DOWN (Abwärts) und UP (Aufwärts), um (Display ist ständig eingeschaltet) oder (Display aus, wenn nicht in Benutzung) zu wählen.
- Wenn der gewünschte Modus eingestellt ist, bestätigen Sie diesen mit **ENTER**.
- Halten Sie **MENU** ungefähr 2 Sekunden gedrückt, um in den Betriebsmodus zurückzukehren.

Display-Umkehrung

Display-Umkehrung: Das Display ist lesbar, wenn das Gerät auf dem Kopf stehend installiert wurde.

- Drücken Sie die Taste **MENU**, bis „“ auf dem Display angezeigt wird.
- Drücken Sie die **ENTER** Taste. Das Display beginnt nun zu blinken.
- Verwenden Sie DOWN (Abwärts) und UP (Aufwärts), um (Display-Umkehrung) oder (normales Display) zu wählen.
- Wenn der gewünschte Modus eingestellt ist, bestätigen Sie diesen mit **ENTER**.
- Halten Sie **MENU** ungefähr 2 Sekunden gedrückt, um in den Betriebsmodus zurückzukehren.

Gerätetemperatur

- Drücken Sie die Taste **MENU**, bis „“ auf dem Display angezeigt wird.
- Drücken Sie **ENTER** und das Display zeigt die Temperatur des Geräts an.
- Zur Rückkehr zu den Funktionen erneut **MENU** drücken.

Weißabgleich anpassen

Lässt eine Anpassung von Weiß zu, wenn alle Farben auf Maximum angestellt sind.

- Drücken Sie die Taste **MENU**, bis auf dem Display angezeigt wird.
- Drücken Sie die **ENTER** Taste. Das Display beginnt nun zu blinken.
- Wählen Sie mit **DOWN** (Abwärts) und **UP** (Aufwärts) die Farben (Rot) oder (Grün) oder (Blau) aus.
- Drücken Sie die **ENTER** Taste. Das Display beginnt nun zu blinken.
- Stellen Sie mit **DOWN** (Abwärts) und **UP** (Aufwärts) den Wert von **125** bis **255** ein und bestätigen Sie mit **ENTER**.
- Sobald der richtige Modus gewählt wurde, bestätigen Sie mit **ENTER**.

Bei kurzem Betätigen der Taste **MENU** können Sie zum Hauptmenü zurückzukehren, ohne eine Änderung vorzunehmen.

Zur Rückkehr in den normalen Betriebsmodus: Gedrückthalten der Taste **MENU** für ca. 2 Sekunden.

Betriebsstunden

Zeigt die Betriebszeit des Geräts an.

- Drücken Sie die Taste **MENU**, bis auf dem Display angezeigt wird.
- Zur Anzeige der Betriebsstunden drücken Sie bitte die Taste **ENTER**.
- Halten Sie **MENU** ungefähr 2 Sekunden gedrückt, um in den Betriebsmodus zurückzukehren.

Software-Version

Anzeigen der Software-Version des Geräts.

- Drücken Sie die Taste **MENU**, bis auf dem Display angezeigt wird.
- Drücken Sie **ENTER**, um die Software-Version des Geräts anzuzeigen.
- Halten Sie **MENU** ungefähr 2 Sekunden gedrückt, um in den Betriebsmodus zurückzukehren.

BEDIENUNGSHINWEISE

A. Standalone 1 Gerät:

- Schließen Sie einfach den Projektor an eine Steckdose an.
- Wählen Sie einen der Automatik-Modi oder wählen Sie eine feste Farbe.
- Wählen Sie den statischen oder tongesteuerten Modus.
- **Vergessen Sie nicht, den Blackout-Modus auf „NO Blackout“ (Kein Blackout) einzustellen, andernfalls passiert nichts.**
- Schlagen Sie im Kapitel EINSTELLUNGSANLEITUNG nach, um zu erfahren, wie man die vorhergehenden Einstellungen vornimmt.

Hinweis: Sie können eine CA-8 Fernbedienung an das Gerät anschließen, wenn Sie weitere Steuerungsmöglichkeiten verwenden möchten.

B. Zwei oder mehr Geräte in der Master/Slave-Einstellung:

- Schließen Sie 2 bis maximal 16 Einheiten zusammen. Im Kapitel „Elektroinstallation“ erfahren Sie mehr darüber.
- Stellen Sie für jeden Projektor den Slave-Modus ein: Der erste muss auf Master und jeder Slave-Projektor kann auf seinen bestimmten Slave-Modus eingestellt werden (siehe Kapitel EINSTELLUNGSANLEITUNG, der Slave-Modus).
- Anschließend schließen Sie alle Geräte einfach an die Stromversorgung an und geben Sie etwas Musik wieder. Die Einheiten beginnen im Rhythmus der Musik automatisch zu arbeiten und zeigen die internen Chase-Programme an.
- **Vergessen Sie nicht, den Blackout-Modus auf „NO Blackout“ (Kein Blackout) einzustellen, andernfalls passiert nichts.**

Hinweis: Sie können eine CA-8 oder LEDCON-02 Steuerung an der Einheit anschließen, wenn Sie wünschen, den Master-/Slave-Betrieb genauer steuern zu können.

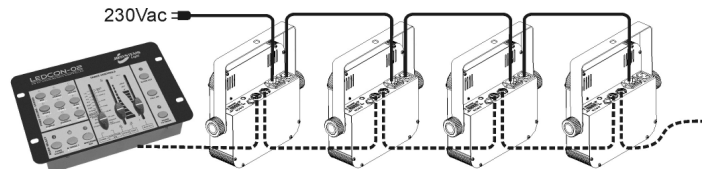
C. Anschluss der optionalen CA-8-Fernsteuerung für weitere Steuerfunktionen:

Die CA-8-Fernsteuerung kann nur im Standalone oder Master/Slave-Modus verwendet werden. Schließen Sie die Fernsteuerung am CA-8-Eingang des ersten Geräts (Master) an. Nun können Sie alle angeschlossenen Einheiten steuern:

TASTE	AKTIONEN			
STANDBY	Blackout aller Geräte			
FUNCTION	1. Synchrones Stroboskop in Weiß 2. Der gleiche Farb-Chase 3. Stroboskop mit unterschiedlicher Farbe	Wählen Sie eine Farbe aus den unterschiedlichen Farben.	Wählen Sie eine Show aus 12 unterschiedlichen Mehrkanal-Shows.	Wählen Sie eine Farbe aus unterschiedlichen Farbfader-Modi.
MODE	Stroboskop (LED AUS)	Farbe auswählen (LED leuchtet)	Show wählen (LED blinkt langsam)	Chase wählen (LED blinkt schnell)

D. Anschluss des optionalen LEDCON-02-Controllers für weitere Steuerfunktionen:

Der LEDCON-02-Controller kann nur im Standalone oder Master/Slave-Modus verwendet werden. Schließen Sie den Controller am DMX-Eingang des ersten Geräts (Master) an. Achten Sie darauf, dass die PLANO SPOT-Projektoren alle auf Kanalmodus 1 (Md 1) eingestellt wurden. Nun können Sie alle angeschlossenen Einheiten im 4- oder 8-Kanalmodus steuern. Schlagen Sie in der Bedienungsanleitung des LEDCON-02-Controllers für weitere Informationen und über die automatische Adressierung nach.



E. Steuerung mittels Universal-DMX-Controller:

- Schließen Sie alle Geräte zusammen. Im Kapitel „Elektrische Installation von zwei oder mehr Einheiten im DMX-Modus“ erfahren Sie mehr darüber (vergessen Sie nicht, alle Geräte richtig zu adressieren!).
- Anschließend schließen Sie alle Geräte an die Stromversorgung an und schalten Sie den DMX-Controller ein.

Da jedes Gerät eine eigene DMX-Adresse besitzt, können Sie die Geräte einzeln steuern. Denken Sie daran, dass jede Einheit 4 DMX-Kanäle verwendet, wie in der DMX-Tabelle unten dargestellt:

DMX512 Configuration						
Ch1	Ch2	Ch3	Ch4			
RED	GREEN	BLUE	DIMMER/STROBE (Mode1)	DIMMER (Mod2)	DIMMER/STROBE (Mode3)	DIMMER/STROBE (Mode4)
255-100% 0-0%	255-100% 0-0%	255-100% 0-0%	248-255 OPEN 201-247 191-200 SOUND 8-190 0-7 OFF	255-100% 0-0%	161-255 0-160	200-255 Color Macro 128-199 0-127

Kanal 4 kann 4 unterschiedliche Verhaltensweisen haben, abhängig von dem Kanalmodus (1, 2, 3 oder 4), den Sie gewählt haben.

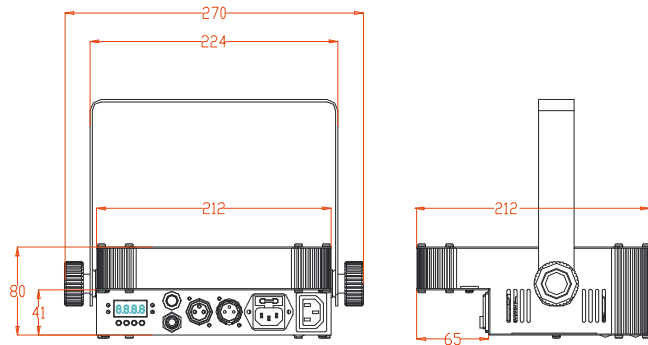
WARTUNG

- Stellen Sie sicher, dass sich keine unbefugten Personen unterhalb des Geräts befinden, während es gewartet wird.
- Schalten Sie das Gerät aus, ziehen Sie den Netzstecker und warten Sie, bis es sich abgekühlt hat.
- **Während der Wartung sind folgende Punkte ganz besonders zu beachten:**
- Sämtliche Schrauben zur Installation und Befestigung jeglicher Teile müssen fest angezogen und rostfrei sein.
- Gehäuse, Befestigungsmaterialien und Aufhängungen (Decke, Balken, abgehängte Decken) dürfen keine Anzeichen von Verformung aufweisen.
- Wenn die Optik sichtbar beschädigt ist (Sprünge oder tiefe Kratzer), dann müssen die entsprechenden Teile ausgetauscht werden.
- Das Netzkabel muss stets in einwandfreiem Zustand sein und selbst bei kleinsten Beschädigungen erneuert werden.
- Zur Vermeidung von Überhitzung müssen die Ventilatoren (sofern vorhanden) und Lüftungsschlitze monatlich gereinigt werden.
- Das Geräteinnere mindestens einmal pro Jahr mit einem Staubsauger oder einer Luftdüse reinigen.
- Die Reinigung der inneren und äußeren optischen Linsen und/oder Spiegel muss in regelmäßigen Abständen zur Beibehaltung einer optimalen Lichtausbeute vorgenommen werden. Die Reinigungsintervalle hängen stark von der Umgebung ab: Feuchte, verrauhte und besonders verschmutzte Umgebung führen zu größerer Verschmutzung auf den Linsen.
 - Mit einem weichen Tuch und gewöhnlichem Glasreiniger säubern.
 - Alle Teile stets gut abtrocknen.

Achtung: Wir empfehlen dringend, die Reinigung des Geräteinneren nur von qualifiziertem Personal durchführen zu lassen!

TECHNISCHE DATEN

Netzspannung:	100-240V, 50/60HZ
Leistungsaufnahme:	28,5 Watt
Sicherung:	250 V 6,3A langsam (20 mm Glas)
IEC Eingang/Ausgangsverkettung:	40 Einh.
Klangregler:	Integriertes Mikrofon
DMX-Anschlüsse:	XLR 3-polig
LEDs:	7 LEDs 3IN1 3 W
Abstrahlwinkel:	25°
Lichtstärke:	Siehe Tabelle unten
Abmessungen:	Siehe Abbildung unten
Gewicht:	2,5 kg



Diese Angaben können sich ohne gesonderten Hinweis ändern.
 Sie können sich die neueste Version dieses Benutzerhandbuchs von unserer Website
 herunterladen: www.beglec.com.

MANUAL DE INSTRUCCIONES

Gracias por comprar este producto JB Systems®. Para aprovechar al máximo todas las posibilidades y para su propia seguridad, lea cuidadosamente este manual de instrucciones antes de comenzar a utilizar la unidad.

CARACTERÍSTICAS

Esta unidad tiene supresión de radio interferencia. Este producto cumple con todas las exigencias de las pautas actuales, tanto europeas como nacionales. Dicha conformidad ha sido establecida y los dictámenes y documentos han sido consignados por el fabricante.

- Este dispositivo fue diseñado para producir efectos de iluminación decorativa y se utiliza en sistemas de espectáculos de iluminación.
- Proyector LED RGB súper compacto, que contiene 7 LEDs de alta potencia RGB de 3Wattios
- La misma funcionalidad y factor de forma que el Plano Spot basado en 5mm, ¡pero mucho más brillante!
- Ángulo del haz de luz = 25° (punto medio)
- Muchas aplicaciones posibles: Discotecas, DJs, puestos de exposición, casas, etc.
- Puede fijarse en un ALU-truss, como cualquier LED PAR estándar, utilizando una abrazadera estándar
- Puede utilizarse como proyector de suelo, bajo cualquier ángulo posible de proyección
- Carcasa súper compacta, ¡perfecta para las empresas de alquiler!
- Cambios muy suaves del color RGB, gracias a la electrónica de atenuación de alta frecuencia
- Varios modos de funcionamiento:
 - Modo autónomo: colores personalizados seleccionables o automáticos, y cambios de color sincronizados con el ritmo
 - Modo Maestro/esclavo: hasta 16 unidades pueden utilizarse conjuntamente, para crear un maravilloso espectáculo preprogramado de luces y música sincronizadas (es posible un controlador opcional CA-8)
 - Controlado por DMX: 4 modos, 4 canales (R, G, B + Atenuador/estroboscopia/seguimiento del sonido)
 - Controlado por LEDCON-02 DJ
- Diferentes maneras de ajustar el direccionamiento DMX:
 - Direccionamiento DMX remoto rápido, por medio de cualquier controlador DMX estándar
 - En el modo maestro/esclavo, usted puede direccionar todas las unidades automáticamente.
- Entrada/salidas de alimentación IEC: sencilla conexión en cadena de varias unidades.

ANTES DEL USO

- Antes de comenzar a utilizar esta unidad, compruebe si no ha sufrido daños durante el transporte. Si hubiera alguno, no utilice el dispositivo y consulte primero con su concesionario.
- **Importante:** Este dispositivo salió de nuestra fábrica en perfectas condiciones y bien embalado. Es absolutamente necesario que se obedezcan al pie de la letra las instrucciones y advertencias de seguridad que aparecen en este manual de usuario. Cualquier daño causado por una mala manipulación no estará protegido por la garantía. El concesionario no aceptará ninguna responsabilidad por defectos o problemas resultantes causados por no obedecer lo indicado en este manual de usuario.
- Mantenga este folleto en un lugar seguro para futuras consultas. Si vende este equipo, asegúrese de incluir este manual de usuario.

Compruebe el contenido:

Compruebe que el embalaje contiene los siguientes elementos:

- Instrucciones de operación
- PLANO SPOT
- Soporte para colgar
- 2 mandos para apretar el soporte

INSTRUCCIONES DE SEGURIDAD:



CAUTION
RISK OF ELECTRIC SHOCK
DO NOT OPEN



PRECAUCIÓN: Para reducir el riesgo de descarga eléctrica, retire la cubierta superior. Dentro no hay componentes que requieran de servicio por parte del usuario. Para todo tipo de servicio refiérase solamente a personal cualificado.



El símbolo de relámpago con punta de flecha dentro de un triángulo equilátero advierte al usuario de la presencia de una "tensión peligrosa" no aislada dentro de la carcasa del sistema que puede ser de una magnitud suficiente como para constituir un riesgo de descarga eléctrica.



El signo de admiración dentro de un triángulo equilátero advierte al usuario de la presencia de instrucciones importantes relacionadas con la operación y el mantenimiento en la literatura que se entrega junto con el equipo.



Este símbolo significa: solamente para uso en interiores



Este símbolo significa: Lea las instrucciones



Este símbolo significa: Equipo eléctrico de seguridad Clase



Este símbolo determina: la distancia mínima desde objetos iluminados. La distancia mínima entre la salida de luz y la superficie iluminada debe ser mayor de 1 metro



El dispositivo no es adecuado para el montaje directo sobre superficies normalmente inflamables. (Es adecuado solamente para el montaje sobre superficies no combustibles)

RISK GROUP 2
CAUTION:
Do not stare at operating lamp

PRECAUCIÓN: No mire a las lámparas cuando estén encendidas. Pueden dañar la vista.

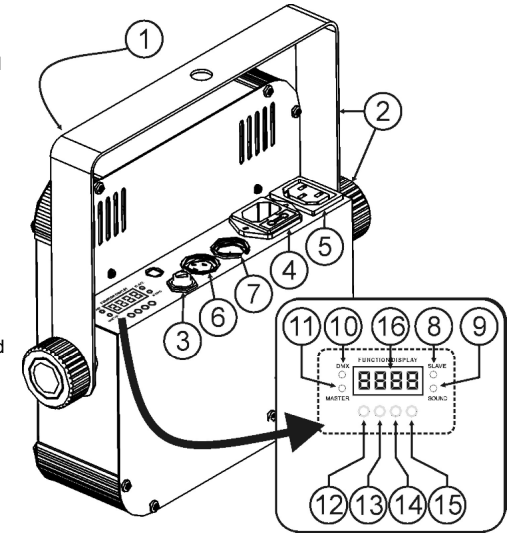
- Para proteger el medio ambiente, intente reciclar el material del embalaje en la mayor medida posible.
- Para evitar el riesgo de incendio o de descarga eléctrica, no exponga este electrodoméstico a la lluvia ni a la humedad.
- Para evitar que se forme condensación en el interior del equipo, permita que la unidad se adapte a la temperatura ambiental cuando se lleve a una habitación cálida después del transporte. La condensación impide a veces que la unidad trabaje a plena capacidad e incluso puede causar daños.
- Esta unidad es solamente para uso en interiores.
- No coloque objetos metálicos ni derrame líquidos dentro de la unidad. Puede dar como resultado una descarga eléctrica o un mal funcionamiento. Si un objeto extraño se introduce dentro de la unidad, desconecte de inmediato la alimentación eléctrica.
- Ubique el accesorio en un punto bien ventilado, lejos de materiales y/o líquidos inflamables. El accesorio debe fijarse por lo menos a 50 cm de las paredes circundantes.
- No cubra ninguna abertura de ventilación ya que esto puede provocar sobrecalentamiento.
- Evite emplearlo en ambientes polvorientos; limpie la unidad con regularidad.
- Mantenga la unidad lejos de los niños.
- Este equipo no debe ser utilizado por personas inexpertas.
- La temperatura ambiente máxima segura es de 40°C. No utilice esta unidad a temperaturas ambiente mayores que ésta.
- Asegúrese de que el área que se encuentra bajo el lugar de instalación esté libre de personas no autorizadas durante su elevación, descenso y reparación.
- Deje transcurrir alrededor de 10 minutos para que el dispositivo se enfríe antes de comenzar a darle servicio.
- Siempre desenchufe la unidad cuando no se vaya a utilizar durante un período de tiempo prolongado o cuando se le vaya a dar servicio.
- La instalación eléctrica debe realizarla solamente personal cualificado, de acuerdo con las regulaciones para la seguridad eléctrica y mecánica de su país.
- Compruebe que la tensión disponible sea la indicada en la unidad.
- El cable de alimentación debe estar siempre en perfectas condiciones. Apague de inmediato la unidad cuando el cable de alimentación esté aplastado o dañado. Si el cable de alimentación está dañado, debe ser sustituido por el fabricante, por su representante de servicio o por una persona de cualificación similar para evitar un accidente.
- ¡Nunca permita que el cable de alimentación haga contacto con otros cables!
- Este accesorio debe conectarse a tierra para cumplir con las regulaciones de seguridad.
- No conecte la unidad a un dispositivo de atenuación.
- Cuando instale la unidad utilice siempre un cable de seguridad apropiado y certificado.
- Para evitar descargas eléctricas, no abra la cubierta. Dentro no hay componentes que requieran de servicio por parte del usuario.
- **Nunca** repare un fusible ni haga una derivación en el portafusibles. ¡Sustituya **siempre** un fusible dañado por otro que sea del mismo tipo y que tenga las mismas especificaciones eléctricas!

- En el caso de que haya serios problemas de funcionamiento, detenga el uso del accesorio y contacte inmediatamente con su concesionario.
- La carcasa y las lentes deben sustituirse si están visiblemente dañadas.
- Utilice el embalaje original cuando haya que transportar el dispositivo.
- Debido a razones de seguridad, está prohibido realizar modificaciones no autorizadas a la unidad.

Importante: ¡Nunca mire directamente a la fuente de luz! No utilice el efecto en presencia de personas que padezcan de epilepsia.

DESCRIPCIÓN:

1. Frontal con cubierta de plástico duro para proteger los LEDs de 5mm
2. Soporte para colgar con mandos a ambos lados para fijar la unidad, y orificio para fijar el gancho de montaje
3. Conector de 1/4" para conectar un controlador CA-8 opcional.
4. Entrada de alimentación con receptáculo IEC y portafusibles integrado; conecte aquí el cable de alimentación que se suministra
5. Salida de alimentación con conector IEC: puede utilizar un cable de alimentación especial IEC para conectar esta salida con la entrada de alimentación del siguiente PLANO SPOT, para enlazarlos fácilmente. (pueden enlazarse un máximo de 40 unidades)
6. Conector de salida DMX
7. Conector de entrada DMX
8. LED esclavo: está iluminado cuando la unidad está en modo esclavo
9. LED Sonido: parpadea al ritmo de la música cuando la unidad está en modo audio
10. LED DMX: está iluminado cuando la unidad recibe una señal DMX
11. LED maestro: está iluminado cuando la unidad se encuentra como maestro
12. Botón MENU: se usa para seleccionar los diferentes elementos del menú
13. Botón DOWN: para ir hacia atrás en el menú y disminuir los valores mostrados en pantalla
14. Botón UP: para ir hacia arriba en el menú y aumentar los valores mostrados en pantalla
15. Botón ENTER: se usa para confirmar su elección
16. PANTALLA: muestra los diferentes menús y las funciones seleccionadas



INSTALACIÓN ELÉCTRICA

Importante: La instalación eléctrica debe realizarla solamente personal cualificado, de acuerdo con las regulaciones para la seguridad eléctrica y mecánica de su país.

Instalación eléctrica para 1 unidad autónoma:

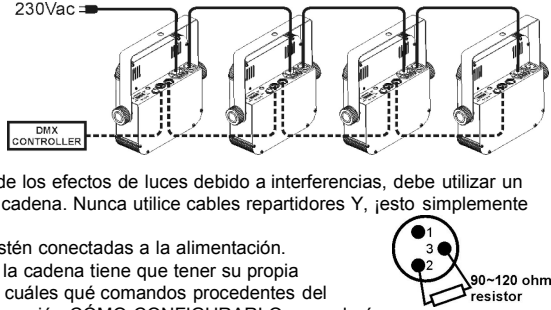
- Inserte el cable de alimentación. La unidad comienza a funcionar inmediatamente, en el último modo independiente seleccionado.
 - Consulte el capítulo CÓMO CONFIGURARLO para aprender a alternar entre los modos estático y sonido.
- Observación:** Puede conectar a la unidad un mando a distancia CA-8 si desea tener un mayor control.

Instalación eléctrica para dos o más unidades en el modo maestro/esclavo:

- Conecte desde 2 hasta un máximo de 16 unidades entre sí utilizando cables para micrófono balanceados de buena calidad. La unidad que no tenga ningún cable conectado a su entrada DMX es la "maestra", las demás son las unidades esclavas.
 - Asegúrese de que todas las unidades estén conectadas a la alimentación.
 - Consulte el capítulo CÓMO CONFIGURARLO para más información.
 - ¡Hecho!
- Observación:** Puede conectar a la unidad un mando a distancia CA-8 si desea tener un mayor control sobre el funcionamiento maestro/esclavo. También puede conectar el controlador LEDCON 02.

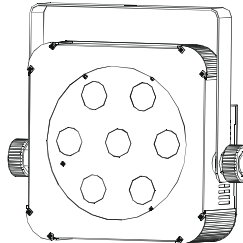
Instalación eléctrica para dos o más unidades en modo DMX:

- El protocolo DMX es una señal de alta velocidad ampliamente utilizada para controlar equipamiento de iluminación inteligente. Tiene que conectar el controlador DMX y todas las unidades conectadas en configuración "daisy chain" y con un cable balanceado de buena calidad.
- Para evitar un comportamiento extraño de los efectos de luces debido a interferencias, debe utilizar un terminador de 90Ω a 120Ω al final de la cadena. Nunca utilice cables repartidores Y, ¡esto simplemente no funcionará!
- Asegúrese de que todas las unidades estén conectadas a la alimentación.
- Cada dispositivo de efectos de luces de la cadena tiene que tener su propia dirección de inicio, de manera que sepa cuáles que comandos procedentes del controlador tiene que decodificar. En la sección CÓMO CONFIGURARLO aprenderá cómo establecer las direcciones DMX. Recuerde que cada proyector utiliza 4 canales. Una posible configuración de direccionamiento podría ser: unidad1 = 001 ~ unidad2 = 005 ~ unidad3 = 009 ~ unidad = 013 ~ etc.



ELEVACIÓN SOBRE CABEZA

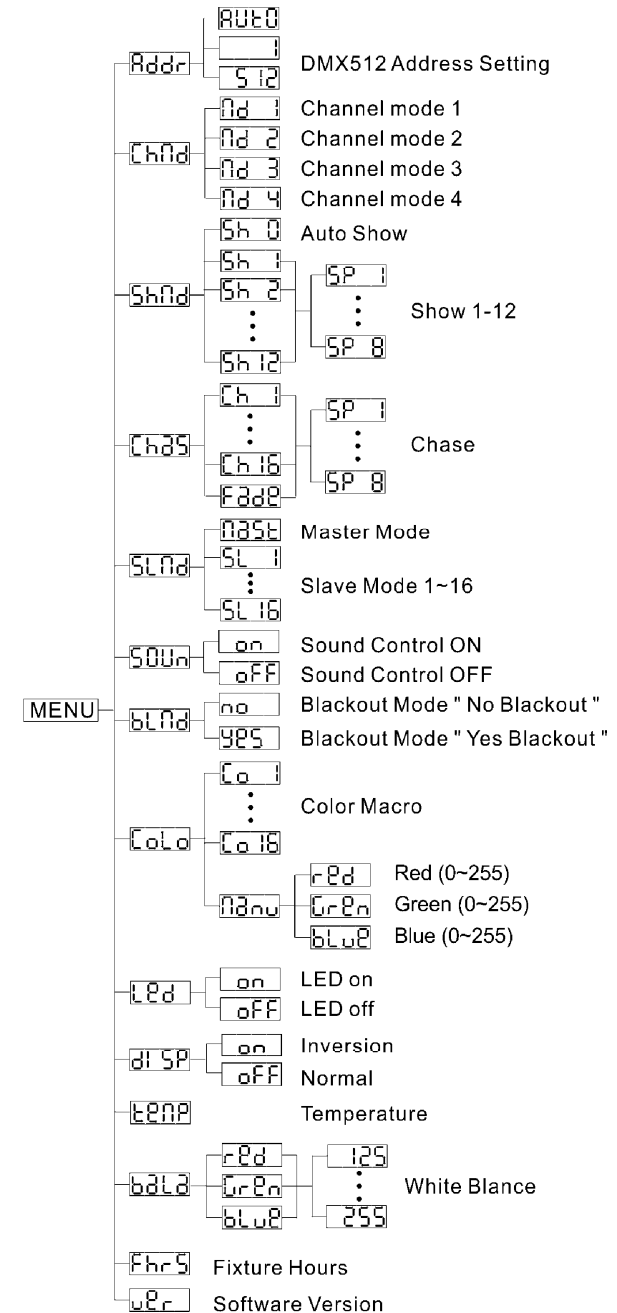
- **Importante:** La instalación debe efectuarla solamente personal de servicio cualificado. Una instalación no adecuada puede dar como resultado lesiones serias y/o daños a la propiedad. ¡La elevación sobre cabeza requiere una experiencia extensa! Deben respetarse los límites de carga de trabajo, deben utilizarse materiales de instalación certificados, el dispositivo instalado debe inspeccionarse con regularidad por motivos de seguridad.
- Asegúrese de que el área que se encuentra bajo el lugar de instalación esté libre de personas no autorizadas durante su elevación, descenso y reparación.
- El dispositivo debe instalarse fuera del alcance de las personas y fuera de las áreas donde haya paso de personas o donde estas permanezcan sentadas.
- Antes de efectuar la elevación, asegúrese de que el área de instalación pueda sostener una carga puntual mínima de 10 veces el peso del dispositivo.
- Cuando instale la unidad, utilice siempre un cable de elevación certificado que pueda sostener 12 veces el peso del dispositivo. Esta segunda fijación de seguridad debe instalarse de forma que ninguna parte de la instalación pueda caer más de 20 cm si la fijación principal falla.
- El dispositivo debe fijarse bien, ¡un montaje de libre oscilación es peligroso y no debe considerarse!
- No cubra ninguna abertura de ventilación ya que esto puede provocar sobrecalentamiento.
- El operador tiene que estar seguro de que las instalaciones relacionadas con la seguridad y con la técnica de la máquina sean aprobadas por un experto antes de utilizarlas por primera vez. Las instalaciones deben inspeccionarse anualmente por una persona con experiencia para asegurarse de que la seguridad es óptima.



CÓMO CONFIGURARLO:

MENÚ PRINCIPAL:

- Para seleccionar cualquiera de las opciones del menú, pulse el botón **MENU** hasta que la opción deseada aparezca en la pantalla.
 - Seleccione la función con el botón **ENTER**. La pantalla parpadeará.
 - Utilice los botones ABAJO y ARRIBA para escoger la opción deseada del menú.
 - Una vez seleccionada la opción deseada del menú, pulse el botón **ENTER** para confirmar.
- Observación: Pulse el botón **MENU** durante unos 2 segundos para volver al modo activo, o espere 8 segundos.



Addr Configuración de la Dirección DMX512

Se utiliza para establecer la dirección de inicio en una configuración DMX. También puede programar los siguientes proyectores PLANO SPOT de la misma cadena DMX.

Programar una dirección de inicio DMX en 1 unidad:

- Pulse el botón **MENU**, hasta que en la pantalla aparezca **Addr**.
- Pulse el botón **ENTER** para seleccionar.
- Utilice los botones ABAJO Y ARRIBA para cambiar la dirección DMX512.
- Una vez aparezca en la pantalla la dirección correcta, pulse el botón **ENTER** para confirmar.
- Pulse el botón **MENU** durante unos 2 segundos para volver al modo activo.

Programar automáticamente las direcciones de inicio DMX de varias unidades en una cadena DMX:

- Conecte entre sí las entradas/salidas DMX de todos los proyectores y enciéndalos todos.
- En la primera unidad de la cadena:
 - Pulse el botón **MENU**, hasta que en la pantalla aparezca **Addr**.
 - Pulse el botón **ENTER** para seleccionar.
 - Utilice los botones ABAJO y ARRIBA para cambiar la dirección DMX512.
 - Una vez aparezca en la pantalla la dirección correcta, pulse dos veces el botón **ENTER**.
 - A continuación, utilice los botones ABAJO y ARRIBA hasta que en la pantalla aparezca **Auto**.
 - Pulse el botón **ENTER** para comenzar la programación automática → todas las unidades parpadearán una vez para indicar que las direcciones se han establecido automáticamente, empezando por la dirección programada en la primera unidad.
 - Pulse el botón **MENU** de la primera unidad durante unos 2 segundos para volver al modo activo.

Ejemplo: el primer proyector se ha establecido en la dirección DMX 100 → cuando realice el direccionamiento automático, los demás proyectores de la cadena DMX recibirán las direcciones: 104, 108, 112, 116, ...

Chnd Modo Canal

La unidad tiene 4 modos diferentes de canal, cada una con diferentes funciones para el 4º canal.

Consulte la tabla DMX para ver las diferencias.

- Pulse el botón **MENU**, hasta que en la pantalla aparezca **Chnd**.
- Pulse el botón **ENTER** para seleccionar.
- Utilice los botones ABAJO y ARRIBA para seleccionar uno de los modos de canal disponibles.
- Una vez haya seleccionado el modo, pulse el botón **ENTER** para confirmar.
- Pulse el botón **MENU** durante unos 2 segundos para volver al modo activo.

Shnd Show Mode (Modo espectáculo)

Se utiliza para seleccionar uno de los espectáculos multi-canal preprogramados, cuando se usa en modo individual o maestro/esclavo.

- Pulse el botón **MENU**, hasta que en la pantalla aparezca **Shnd**.
- Pulse el botón **ENTER** para seleccionar.
- Utilice los botones ABAJO y ARRIBA para seleccionar uno de los espectáculos preprogramados:
 - **Sh 0** → se reproducen todos los espectáculos en modo aleatorio.
 - de **Sh 1** a **Sh 12** → 12 espectáculos diferentes incorporados.
- Excepto para el espectáculo aleatorio (espectáculo 0), se le pedirá también que seleccione una velocidad de funcionamiento para el modo estático. Con los botones ARRIBA/ABAJO puede seleccionar desde **SP 1** (lento) hasta **SP 8** (rápido).
- Una vez haya seleccionado el show correcto, pulse el botón **ENTER** para confirmar.
- Pulse el botón **MENU** durante unos 2 segundos para volver al modo activo.

Chds Modo de Seguimiento del Color

Se utiliza para seleccionar uno de los fundidos de color preprogramados, cuando se usa en modo individual o maestro/esclavo. Todos los proyectores mostrarán una salida idéntica.

- Pulse el botón **MENU**, hasta que en la pantalla aparezca **Chds**.
- Pulse el botón **ENTER** para seleccionar.
- Utilice los botones ABAJO y ARRIBA para seleccionar uno de los espectáculos preprogramados.

- También se le pedirá que seleccione una velocidad para el modo estático. Con los botones ARRIBA/ABAJO puede seleccionar desde **SP 1** (lento) hasta **SP 8** (rápido).
- Una vez haya seleccionado el show correcto, pulse el botón **ENTER** para confirmar.
- Pulse el botón **MENU** durante unos 2 segundos para volver al modo activo.

SLnd Slave Mode (Modo Esclavo)

Escogiendo el modo esclavo correcto, puede mejorar el impacto de los espectáculos multi-canal.

El primer esclavo debería estar en modo "SL 2", en segundo en modo "SL 3", etc. hasta "SL 16".

- Pulse el botón **MENU**, hasta que en la pantalla aparezca **SLnd**.
- Pulse el botón **ENTER** para seleccionar.
- Utilice los botones ABAJO y ARRIBA para seleccionar uno de los modos esclavo disponibles.
- Una vez haya seleccionado el modo correcto, pulse el botón **ENTER** para confirmar.
- Pulse el botón **MENU** durante unos 2 segundos para volver al modo activo.

SOUn Sound Mode (Modo de sonido)

Se utiliza para escoger el modo de sonido deseado para disparar los espectáculos.

- Pulse el botón **MENU**, hasta que en la pantalla aparezca **SOUn**.
- Pulse el botón **ENTER** para seleccionar.
- Use los botones UP y DOWN para seleccionar uno de los espectáculos disponibles:
 - **On** (modo de sonido ON) → los espectáculos se disparan por el micrófono interno.
 - **off** (modo de sonido OFF) → los espectáculos se disparan por la velocidad seleccionada con los espectáculos.
- Una vez haya seleccionado el modo correcto, pulse el botón **ENTER** para confirmar.
- Pulse el botón **MENU** durante unos 2 segundos para volver al modo activo.

BLnd Blackout Mode (Modo apagado)

Modo apagado: cuando no se detecta señal DMX, la unidad entra en apagado.

Sin modo apagado: cuando no se detecta señal DMX, la unidad pasa automáticamente al modo maestro.

!!!Establezca SIEMPRE "No Blackout" cuando la unidad se esté usando en modo autónomo o maestro (maestro/esclavo)!!!

- Pulse el botón **MENU**, hasta que en la pantalla aparezca **BLnd**.
- Pulse el botón **ENTER**
- Utilice los botones ABAJO y ARRIBA para seleccionar el modo **YES** (apagado), o **no** (no apagado).
- Una vez haya seleccionado el modo, pulse el botón **ENTER** para confirmar.
- Pulse el botón **MENU** durante unos 2 segundos para volver al modo activo.

COLO Modo de Color Predefinido

Se utiliza para escoger uno de los 16 colores estándar predefinidos. También puede definir su propio color personalizado, basándolo en ajustes individuales para el rojo, el verde y el azul.

- Pulse el botón **MENU**, hasta que en la pantalla aparezca **COLO**.
- Pulse el botón **ENTER** para seleccionar.
- Utilice los botones ABAJO y ARRIBA para seleccionar una de las opciones disponibles:
 - Seleccione uno de los colores predefinidos, de **Co 1** a **Co 16**, y pulse **ENTER** para confirmar.
 - Seleccione **Prnu** para crear su propio color, y pulse **ENTER** para confirmar. Ahora puede ajustar los 3 colores para crear su propio color personalizado.
 - **rPd** (rojo): pulse **ENTER**. Después, utilice los botones ABAJO y ARRIBA para ajustar el valor entre 000 y 255. Confirme con el botón **ENTER**. Utilice los botones ABAJO y ARRIBA para seleccionar el siguiente color.
 - **GrPn** (verde): pulse **ENTER**. Después, utilice los botones ABAJO y ARRIBA para ajustar el valor entre 000 y 255. Confirme con el botón **ENTER**. Utilice los botones ABAJO y ARRIBA para seleccionar el siguiente color.
 - **BLuz** (azul): pulse **ENTER**. Después, utilice los botones ABAJO y ARRIBA para ajustar el valor entre 000 y 255. Confirme con el botón **ENTER**. Utilice los botones ABAJO y ARRIBA para seleccionar el siguiente color.

- Una vez realizados los ajustes correctos, pulse el botón **MENU** durante unos 2 segundos para volver al modo activo.

LED Pantalla LED

Display on: la pantalla está siempre encendida.

Display off: la pantalla está apagada cuando no se utiliza.

- Pulse el botón **MENU**, hasta que en la pantalla aparezca **LED**.
- Pulse el botón **ENTER**
- Utilice los botones ABAJO y ARRIBA para seleccionar **ON** (pantalla siempre encendida) o **OFF** (pantalla apagada si no se usa).
- Una vez haya seleccionado el modo, pulse el botón **ENTER** para confirmar.
- Pulse el botón **MENU** durante unos 2 segundos para volver al modo activo.

DISP Display Inversion (Inversión de la pantalla)

Display inversion (Inversión de la pantalla): la pantalla se puede leer cuando la unidad está montada en forma invertida.

- Pulse el botón **MENU**, hasta que en la pantalla aparezca **DISP**.
- Pulse el botón **ENTER**, la pantalla comienza a parpadear.
- Utilice los botones ABAJO y ARRIBA para seleccionar **ON** (inversión de pantalla) o **OFF** (pantalla normal).
- Una vez haya seleccionado el modo, pulse el botón **ENTER** para confirmar.
- Pulse el botón **MENU** durante unos 2 segundos para volver al modo activo.

TEMP Temperatura de la Instalación

- Pulse el botón **MENU**, hasta que en la pantalla aparezca **TEMP**.
- Pulse el botón **ENTER** y la pantalla mostrará la temperatura de la unidad.
- Para volver a las funciones, pulse otra vez el botón **MENU**.

BLA Ajuste del Balance de Blancos

Posibilita ajustar el color blanco cuando todos los colores están al máximo.

- Pulse el botón **MENU**, hasta que en la pantalla aparezca **BLA**.
- Pulse el botón **ENTER**, la pantalla comienza a parpadear.
- Utilice el botón ABAJO y ARRIBA para seleccionar el color **RED** (Rojo) o **GRN** (Verde) o **BLU** (Azul).
- Pulse el botón **ENTER**, la pantalla comienza a parpadear.
- Utilice el botón ABAJO y ARRIBA para ajustar el valor entre **125** y **255**, y pulse **ENTER** para confirmar.
- Una vez haya seleccionado el modo, pulse el botón **ENTER** para confirmar.

Para regresar al menú principal sin efectuar ningún cambio, pulse brevemente el botón **MENU**.

Si desea regresar al modo normal de funcionamiento: pulse el botón **MENU** durante alrededor de 2 segundos.

Fhrs Fixture Hours (Horas de la unidad)

Se utiliza para mostrar la cantidad de horas de trabajo de la unidad.

- Pulse el botón **MENU**, hasta que en la pantalla aparezca **Fhrs**.
- Pulse el botón **ENTER** para mostrar la cantidad de horas de trabajo en la pantalla.
- Pulse el botón **MENU** durante unos 2 segundos para volver al modo activo.

VER Software version (Versión de Software)

Se utiliza para visualizar la versión del software de la unidad.

- Pulse el botón **MENU**, hasta que en la pantalla aparezca **VER**.
- Pulse el botón **ENTER** para visualizar la versión del software de la unidad.
- Pulse el botón **MENU** durante unos 2 segundos para volver al modo activo.

INSTRUCCIONES DE FUNCIONAMIENTO

A. Una unidad autónoma:

- Simplemente conecte el proyector a la alimentación.
 - Seleccione uno de los modos automáticos o seleccione un color fijo.
 - Seleccione el modo estático o controlado por sonido.
 - **No olvide establecer el modo Apagado en 'NO Blackout' o no ocurrirá nada.**
 - Consulte el capítulo CÓMO CONFIGURARLO para aprender cómo realizar los ajustes previos.
- Observación:** Puede conectar a la unidad un mando a distancia CA-8 si desea tener un mayor control.

B. Dos o más unidades en configuración maestro/esclavo:

- Conecte desde 2 hasta el 16 máximo de unidades entre sí. Consulte el capítulo "instalación eléctrica" para aprender cómo hacerlo.
 - Ajuste el modo esclavo para cada proyector: el primero debe estar ajustado en Maestro y cada proyector esclavo puede ajustarse en su modo esclavo específico (vea el capítulo CÓMO CONFIGURARLO).
 - Conecte todas las unidades a la alimentación y ponga algo de música. Las unidades comenzarán a funcionar automáticamente al ritmo de la música y mostrará los programas internos de seguimiento.
 - **No olvide establecer el modo Apagado en 'NO Blackout' o no ocurrirá nada.**
- Observación:** Puede conectar a la unidad un mando a distancia CA-8 o LEDCON-02 si desea tener un mayor control sobre el funcionamiento maestro/esclavo.

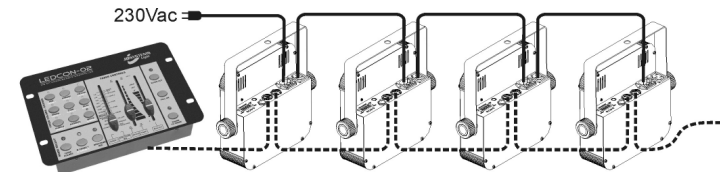
C. Conectar el mando a distancia opcional CA-8 para un mayor control:

El controlador CA-8 sólo puede utilizarse en los modos individual o maestro/esclavo. Conecte el controlador a la entrada CA-8 de la primera unidad (maestra). Ahora puede controlar todas las unidades conectadas:

BOTÓN	ACCIONES			
STANDBY	Para apagar todas las unidades			
FUNCTION	1. Estrobo sincronizado de color blanco 2. Seguimiento del color 3. Estrobo de distinto color	Seleccionar uno de los distintos colores	Seleccionar uno de los 12 espectáculos multi-canal diferentes	Seleccionar uno de los distintos modos de fundido de color
MODE	Estrobo (LED apagado)	Selección de color (LED encendido)	Selección de espectáculo (LED en parpadeo lento)	Selección de seguimiento (LED en parpadeo rápido)

D. Conectar un mando a distancia opcional LEDCON-02 para un mayor control:

El controlador LEDCON-02 sólo puede utilizarse en los modos individual o maestro/esclavo. Conecte el controlador a la entrada DMX de la primera unidad (maestra). Asegúrese de que los proyectores PLANO SPOT estén todos establecidos en el modo 1 de canal (Md 1). Ahora usted puede controlar todas las unidades conectadas en modo de 4 u 8 canales. Consulte el manual de usuario del mando LEDCON-02 para más información y direccionamiento automático.



E. Controlado por el controlador universal DMX:

- Conecte todas las unidades entre sí. Consulte el capítulo "Instalación eléctrica para dos o más unidades en modo DMX" para aprender cómo hacerlo (¡no olvide direccionar correctamente todas las unidades!).
- Conecte todas las unidades a la alimentación y encienda el controlador DMX. Como cada unidad tiene su propia dirección DMX, puede controlarlas individualmente. Recuerde que cada unidad utiliza 4 canales DMX, como se muestra en la tabla DMX a continuación:

DMX512 Configuration						
Ch1	Ch2	Ch3	Ch4			
RED	GREEN	BLUE	DIMMER/STROBE (Mode1)	DIMMER (Mod2)	DIMMER/STROBE (Mode3)	DIMMER/STROBE (Mode4)
255-100% 0-0%	255-100% 0-0%	255-100% 0-0%	248-255 OPEN 201-247 191-200 SOUND 8-190 0-7 OFF	255-100% 0-0%	161-255 0-160	200-255 Color Macro 128-199 0-127

El Canal 4 puede tener 4 comportamientos distintos, dependiendo del modo de canal (1, 2, 3 o 4) que haya seleccionado.

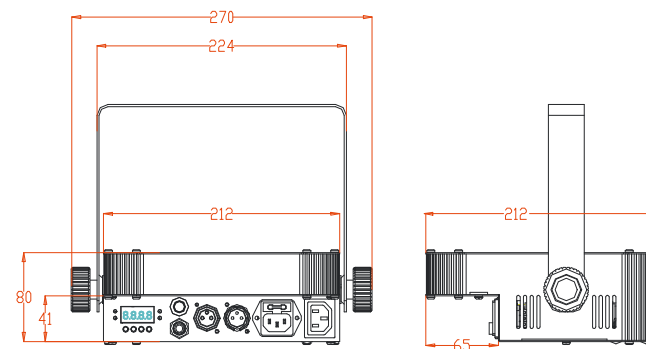
MANTENIMIENTO

- Asegúrese de que el área que se encuentra bajo el lugar de instalación esté libre de personas no autorizadas durante el mantenimiento.
- Apague la unidad, desenchufe el cable de alimentación y espere hasta que se enfríe.
- **Durante la inspección deben revisarse los puntos siguientes:**
 - Todos los tornillos utilizados para la instalación del dispositivo y cualquiera de sus componentes deben estar bien apretados y no pueden estar corroídos.
 - Los alojamientos, fijaciones y puntos de instalación (techo, tensores, suspensiones) deben estar totalmente libres de cualquier deformación.
 - Cuando una lente óptica está visiblemente dañada debido a grietas o arañazos profundos, debe sustituirse.
 - Los cables de alimentación deben estar en condiciones impecables y deben sustituirse inmediatamente incluso si se detecta un problema pequeño.
 - Para proteger el dispositivo contra el sobrecalentamiento, los ventiladores de enfriamiento (si hay alguno) y las aberturas de ventilación deben limpiarse mensualmente.
 - El interior del dispositivo debe limpiarse anualmente utilizando una aspiradora o un chorro de aire.
 - La limpieza de las lentes ópticas y/o espejos internos y externos debe efectuarse periódicamente para optimizar la salida de la luz. La frecuencia de la limpieza depende del ambiente en el cual opere el accesorio: los ambientes húmedos, con humo, o particularmente sucios, pueden causar una mayor acumulación de suciedad en los elementos ópticos de la unidad.
 - Límpielo con un paño suave utilizando productos normales para la limpieza del vidrio.
 - Siempre seque cuidadosamente las piezas.

Atención: ¡Recomendamos enfáticamente que la limpieza se lleve a cabo por personal cualificado!

ESPECIFICACIONES

- Alimentación:** 100-240V, 50/60HZ
- Consumo de potencia:** 28,5 Vatios
- Fusible:** 250V 6,3A acción lenta (vidrio 20mm)
- Cadena entrada/salida IEC:** 40 unidades
- Control por Sonido:** Micrófono interno
- Conexiones DMX:** XLR de 3 pines
- LEDs:** 7 LEDs 3 en 1 3W
- Ángulo del haz:** 25°
- Intensidad Luminosa:** ver la siguiente tabla
- Tamaño:** ver la siguiente imagen
- Peso:** 2.5 kg



Esta información está sujeta a cambios sin notificación previa.
 Puede descargar la versión más reciente de este manual de usuario en nuestro sitio Web:
www.beglec.com