

# SELECON

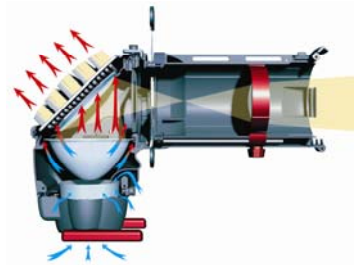
## Performance Lighting



12°-28° & 14°-35°  
Zoomspots



23°-50° Zoomspot &  
20°, 30°, 40°, 50° Fixed  
Focus



Selecon's active heat management system delivers a cool beam of light on stage, while directing even more heat away from critical components such as the lamp, wiring and cabling.

Reduced maintenance downtime.



Complete control of the beam distribution; from a true peak to a flat beam using the unique and easy to use lamp adjustment mechanism.



Align the pattern image as required, quickly and accurately using the adjustable pattern holder.

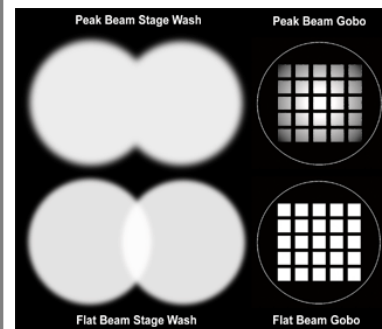
## PACIFIC GENERAL PURPOSE ZOOMSPOTS & FIXED BEAM ELLIPSOIDALS

### SUPERIOR PERFORMANCE

Shipped with fitted safety bond

**Leading performance Zoomspots to meet the needs of mid (700–1200 seats) to smaller size venues FOH and onstage requirements.**

- \* **CHOICE OF POPULAR LIGHT SOURCES:** 600W (GLC), 800W or 1000W tungsten halogen.
  - \* **DISCHARGE LIGHT SOURCES** for high performance, long life requirements. Integrated Dowser accessory to provide full range dimming.
  - \* **FAST AND SIMPLE TO FOCUS** from cool controls –
    - Zoom the lens to the required beam angle and focus
    - 360° barrel rotation to position shutter cuts as required
    - Pattern alignment
    - True peak flat light distribution
- A result of the Pacific's active heat management design.
- \* **LOWEST COST OF OWNERSHIP**, full warranty for three years.
  - \* **SAFETY:** automatic mains power isolation when opened for lamping, no chance of mounting a lamp into a live socket.
  - \* **MODULAR DESIGN:** unique base-down ellipsoidal design with universal lamp house, to which any of twelve optical systems and six light sources can be fitted.
  - \* indicates **POTENTIAL TENDER SPECIFICATION BIDLOCK**



Quickly and precisely set your required shutter cuts using the shutter rotational system.



**Fixed Beams:**  
Colour coded lens holders allow for easy identification on interchangeable lenses which slide directly into the lens tube. No tools required!

**Applications:** all size venues requiring the flexibility and versatility of zoom optics and / or fixed beam ellipsoidal zoomspots.

**Supplied with:** 1 x colour frame per unit, 1m cable, safety bond and manual.

**Accessories:** pattern holder, lens safety mesh, adjustable iris, heavy duty yoke, spare colour frames: 12-28 and 14-35: 185mm x 185mm; 23-50 and Fixed Focus: 158mm x 158mm.

**Lamps:** 220V-240V

**600W** GKV, 300hrs average life

**800W** GKV, 400hrs average life

**1000W** GAB 230V, 250hrs average life

**80V 1200W**

**CST 250**

**600W** GLB, 1500hrs average life

**1000W** GAD, 250hrs average life

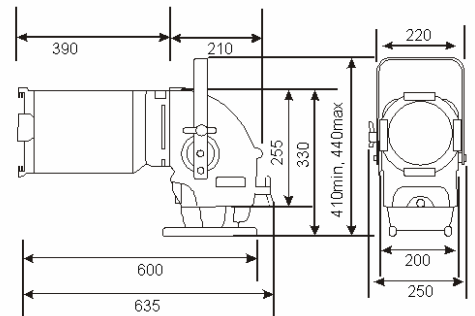
**575W** Discharge

**150W / 70W** CDM

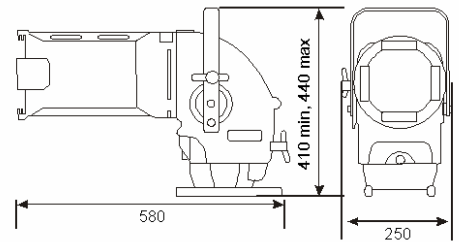
**Physical dimensions and weight:**

12°-28° / 14°-35°	9.9kg
23°-50°	8.7kg
Fixed Beams	8.1kg

**Pacific 12°-28° Zoomspot  
Pacific 14°-35° Zoomspot**



**Pacific 23°-50° Zoomspot  
Pacific 20°, 30°, 40°, 50°  
Fixed Focus**



**Photometric data:**

Tests conducted using standard 240V production lamps manufactured by Philips.

	Beam angle		Beam Diameter in m								
			12°	0.8	1.7	2.5	3.4	4.2	5.0	5.9	6.7
	12°	0	0.8	1.7	2.5	3.4	4.2	5.0	5.9	6.7	
	28°	0	2.0	4.0	6.0	8.0	10.0	12.0	14.0	16.0	
Throw Distance in m			0	4	8	12	16	20	24	28	32
Lamp			Light Output in Lux								
240V BP 1000W	12°	Peak	16200	4050	1800	1013	648	450	331	-	
		Flat	16200	4050	1800	1013	648	450	331	-	
240V 800W	28°	Peak	4070	1018	452	-	-	-	-	-	
		Flat	4000	1000	444	-	-	-	-	-	
240V GKV 600W	12°	Peak	18900	4725	2100	1181	756	525	386	-	
		Flat	17000	4250	1889	1063	680	472	347	-	
80V 1200W	28°	Peak	4750	1188	528	297	-	-	-	-	
		Flat	3900	975	433	-	-	-	-	-	
MSR 575 / 2	12°	Peak	12500	3125	1389	781	500	347	-	-	
		Flat	11000	2750	1222	688	440	-	-	-	
CDM-T 942 / 830 150W	28°	Peak	3180	795	353	-	-	-	-	-	
		Flat	2300	575	256	-	-	-	-	-	
CST 250 HR	12°	Peak	26500	6625	2944	1656	1060	736	541	414	
		Flat	26350	6588	2928	1647	1054	732	538	-	
CDM-T 942 / 830 70W	28°	Peak	6550	1638	728	409	-	-	-	-	
		Flat	6250	1563	694	391	-	-	-	-	
CST 250 HR	12°	Peak	35000	8750	3889	2188	1400	972	714	547	
		Flat	25000	6250	2778	1563	1000	694	510	391	
CST 250 HR	28°	Peak	8500	2125	944	531	340	236	-	-	
		Flat	6000	1500	667	375	-	-	-	-	

	Beam angle		Beam Diameter in m								
			14°	1.0	2.0	2.9	3.9	4.9	5.9	6.9	7.9
	14°	0	1.0	2.0	2.9	3.9	4.9	5.9	6.9	7.9	
	35°	0	2.5	5.0	7.6	10.1	12.6	15.1	17.7	20.2	
Throw Distance in m			0	4	8	12	16	20	24	28	32
Lamp			Light Output in Lux								
240V BP 1000W	14°	Peak	16200	4050	1800	1013	648	450	331	-	
		Flat	16200	4050	1800	1013	648	450	331	-	
240V 800W	35°	Peak	4070	1018	452	-	-	-	-	-	
		Flat	4000	1000	444	-	-	-	-	-	
240V GKV 600W	14°	Peak	18900	4725	2100	1181	756	525	386	-	
		Flat	17000	4250	1889	1063	680	472	347	-	
80V 1200W	35°	Peak	4750	1188	528	297	-	-	-	-	
		Flat	3900	975	433	-	-	-	-	-	
MSR 575 / 2	14°	Peak	12500	3125	1389	781	500	347	-	-	
		Flat	11000	2750	1222	688	440	-	-	-	
CDM-T 942 / 830 150W	35°	Peak	3180	795	353	-	-	-	-	-	
		Flat	2300	575	256	-	-	-	-	-	
CST 250 HR	14°	Peak	26500	6625	2944	1656	1060	736	541	414	
		Flat	26350	6588	2928	1647	1054	732	538	-	
CDM-T 942 / 830 70W	35°	Peak	6550	1638	728	409	-	-	-	-	
		Flat	6250	1563	694	391	-	-	-	-	
CST 250 HR	14°	Peak	35000	8750	3889	2188	1400	972	714	547	
		Flat	25000	6250	2778	1563	1000	694	510	391	
CST 250 HR	35°	Peak	8500	2125	944	531	340	236	-	-	
		Flat	6000	1500	667	375	-	-	-	-	
CST 250 HR	14°	Peak	9750	2438	1083	609	390	-	-	-	
		Flat	9750	2438	1083	609	390	-	-	-	
CST 250 HR	35°	Peak	2350	588	261	-	-	-	-	-	
		Flat	2350	588	261	-	-	-	-	-	
CST 250 HR	14°	Peak	6300	1575	700	394	-	-	-	-	
		Flat	5400	1350	600	338	-	-	-	-	
CST 250 HR	35°	Peak	1500	375	-	-	-	-	-	-	
		Flat	1200	300	-	-	-	-	-	-	
CST 250 HR	14°	Peak	12813	3203	1424	801	513	356	261	200	
		Flat	12813	3203	1424	801	513	356	261	200	
CST 250 HR	35°	Peak	3075	769	342	-	-	-	-	-	
		Flat	2485	621	276	-	-	-	-	-	

