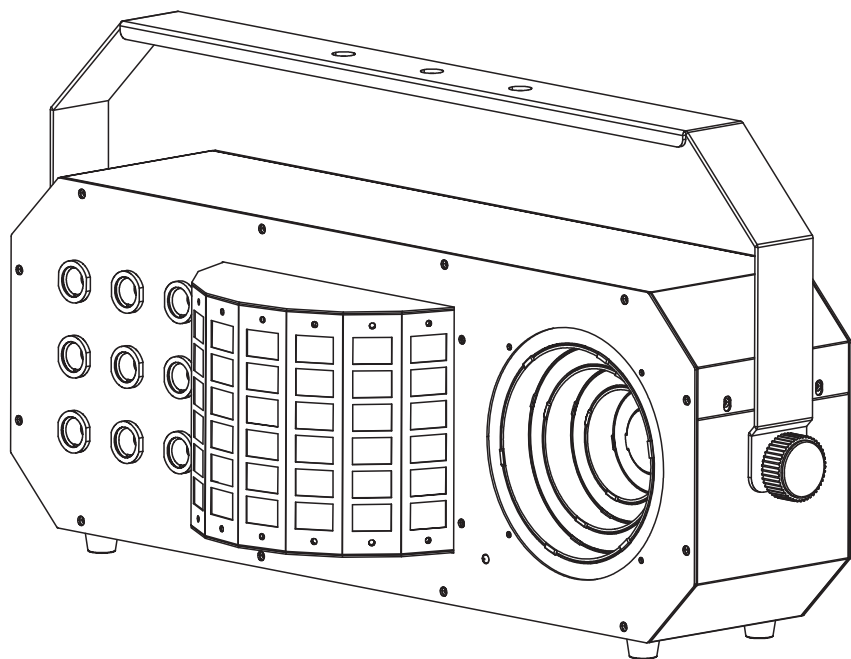




BOOM BOX FX3



©2017 ADJ Products, LLC all rights reserved. Information, specifications, diagrams, images, and instructions herein are subject to change without notice. ADJ Products, LLC logo and identifying product names and numbers herein are trademarks of ADJ Products, LLC. Copyright protection claimed includes all forms and matters of copyrightable materials and information now allowed by statutory or judicial law or hereinafter granted. Product names used in this document may be trademarks or registered trademarks of their respective companies and are hereby acknowledged. All non-ADJ Products, LLC brands and product names are trademarks or registered trademarks of their respective companies.

ADJ Products, LLC and all affiliated companies hereby disclaim any and all liabilities for property, equipment, building, and electrical damages, injuries to any persons, and direct or indirect economic loss associated with the use or reliance of any information contained within this document, and/or as a result of the improper, unsafe, insufficient and negligent assembly, installation, rigging, and operation of this product.

DOCUMENT VERSION

Please check www.adj.com for the latest revision/update of this guide.

Date	Document Version	Software Version \geq	DMX Channel Mode	Notes
07/24/17	1	1.0	3/52	Initial Release

User Instructions



Europe Energy Saving Notice

Energy Saving Matters (EuP 2009/125/EC)

Saving electric energy is a key to help protecting the environment. Please turn off all electrical products when they are not in use. To avoid power consumption in idle mode, disconnect all electrical equipment from power when not in use. Thank you!

Boom Box FX3

General Information

Unpacking: Thank you for purchasing the Boom Box FX3 by ADJ Products, LLC. Every Boom Box FX3 has been thoroughly tested and has been shipped in perfect operating condition. Carefully check the shipping carton for damage that may have occurred during shipping. If the carton appears to be damaged, carefully inspect your fixture for any damage and be sure all equipment necessary to operate the unit has arrived intact. In the event damage has been found or parts are missing, please contact our toll free customer support number for further instructions. Please do not return this unit to your dealer without contacting customer support first.

Introduction: The Boom Box FX3 is a DMX intelligent LED moon-flower, matrix, & laser fixture. The Boom Box FX3 has 2 DMX channel modes, a 3 channel mode and 52 channel mode. The fixture can operate in as a stand alone fixture or in a Master/Slave set up. The Boom Box FX3 has three operating modes; sound active, show mode, and DMX Control. *For best results use fog or special effects smoke to enhance the beams projections.*

Customer Support: ADJ Products, LLC provides a toll free customer support line, to provide help and to answer any question should you encounter problems during your set up or initial operation. You may also visit us on the web at www.adj.com for any comments or suggestions. Service Hours are Monday through Friday 8:00 a.m. to 4:30 p.m. Pacific Standard Time.

Voice: (800) 322-6337
Fax: (323) 582-2941
E-mail: support@adj.com

Warning! To prevent or reduce the risk of electrical shock or fire, do not expose this unit to rain or moisture.

Caution! *This may cause eye damage. Avoid looking directly into the light source. Use sensible precaution.*

Boom Box FX3

General Instructions

To optimize the performance of this product, please read these operating instructions carefully to familiarize yourself with the basic operations of this unit. These instructions contain important safety information regarding the use and maintenance of this unit. Please keep this manual with the unit, for future reference.

Boom Box FX3

Features

- 2 DMX Channel Mode's: 3 Channel and 52 Channel Modes
- 3 Operating Modes - Sound Active, Show Mode, & DMX Control
- Internal Microphone
- Digital Display for Address and Function Setting
- Power Cord Daisy Chain
- UC IR Compatible (Not Included) & Airstream IR Compatible (Transmitter Included)

Boom Box FX3

Warranty Registration

The Boom Box FX3 carries a 1 Year limited warranty. Please fill out the enclosed warranty card to validate your purchase and warranty. You may also register your product online at www.americandj.com. All returned service items whether under warranty or not, must be freight pre-paid and accompany a return authorization (R.A.) number. If the unit is under warranty you must provide a copy of your proof of purchase invoice. Please contact ADJ customer support for a R.A. number.

Boom Box FX3

Handling Precautions

Caution! There are no user serviceable parts inside this unit. Do not attempt any repairs yourself, doing so will void your manufactures warranty. In the unlikely event your unit may require service please contact ADJ Products, LLC.

During operation the housing may become extremely hot. Avoid touching the unit with bare hands while in use.

ADJ Products, LLC will not accept any liability for any resulting damages caused by the non-observance of this manual or any unauthorized modification to this unit.

Safety Issues: This unit may “pop” the fuse if the maximum allotted load of 2 amps is reached.

- To reduce the risk of electrical shock or fire, do not expose this unit rain or moisture.
- Do not spill water or other liquids into or on to your unit.
- Do not attempt to remove or break off the ground prong from the electrical cord. This prong is used to reduce the risk of electrical shock and fire in case of an internal short. Do not attempt to operate this unit if the power cord has been frayed or broken.
- Disconnect from main power before making any type of connection.
- Do not remove the cover under any conditions. There are no user serviceable parts inside.
- Always be sure to mount this unit in an area that will allow proper ventilation. Allow about 6” (15cm) between this device and a wall.
- Do not attempt to operate this unit, if it becomes damaged.
- This unit is intended for indoor use only, use of this product outdoors voids all warranties.
- During long periods of non-use, disconnect the unit’s main power.
- Always mount this unit in safe and stable matter.
- Power cords should be routed so they are not likely to be walked on, pinched by items placed upon or against them.
- Cleaning -The fixture should be cleaned only as recommended by the manufacturer. See page 23 for cleaning details.
- Heat -The appliance should be situated away from heat sources such as radiators, heat registers, stoves, or other appliances (including amplifiers) that produce heat.
- The fixture should be serviced by qualified service personnel when:
 - A. The power-supply cord or the plug has been damaged.
 - B. Objects have fallen, or liquid has been spilled into the unit.
 - C. The unit has been exposed to rain or water.
 - D. The unit does not appear to operate normally or exhibits a marked change in performance.

Power Supply: The ADJ Boom Box FX3 contains a automatic voltage switch, which will auto sense the voltage when it is plugged into the power source. With this switch there is no need to worry about the correct power voltage, this unit can be plugged in anywhere.

DMX-512: DMX is short for Digital Multiplex. This is a universal protocol used by most lighting and controller manufactures as a form of communication between intelligent fixtures and controllers. A DMX controller sends DMX data instructions from the controller to the fixture. DMX data is sent as serial data that travels from fixture to fixture via the DATA “IN” and DATA “OUT” XLR terminals located on all DMX fixtures (most controllers only have a DATA “OUT” terminal).

DMX Linking: DMX is a language allowing all makes and models of different manufactures to be linked together and operate from a single controller, as long as all fixtures and the controller are DMX compliant. To ensure proper DMX data transmission, when using several DMX fixtures try to use the shortest cable path possible. The order in which fixtures are connected in a DMX line does not influence the DMX addressing. For example; a fixture assigned a DMX address of 1 may be placed anywhere in a DMX line, at the beginning, at the end, or anywhere in the middle. When a fixture is assigned a DMX address of 1, the DMX controller knows to send DATA assigned to address 1 to that unit, no matter where it is located in the DMX chain.

Data Cable (DMX Cable) Requirements (For DMX and Master/Slave Operation): The Boom Box FX3 can be controlled via DMX-512 protocol. The Boom Box FX3 is has 2 DMX channel modes, a 3 channel mode and 52 channel mode. The DMX address is set electronically using the controls on the back panel of the unit. Your unit and your DMX controller require a approved DMX-512 110 Ohm Data cable for data input and data output (Figure 1). We recommend Accu-Cable DMX cables. If you are making your own cables, be sure to use standard 110-120 Ohm shielded cable (This cable may be purchased at almost all professional sound and lighting stores). Your cables should be made with a male and female XLR connector on either end of the cable. Also remember that DMX cable must be daisy chained and cannot be split.



Figure 1

Boom Box FX3

DMX Set Up

Notice: Be sure to follow figures two and three when making your own cables. Do not use the ground lug on the XLR connector. Do not connect the cable's shield conductor to the ground lug or allow the shield conductor to come in contact with the XLR's outer casing. Grounding the shield could cause a short circuit and erratic behavior.



Figure 2

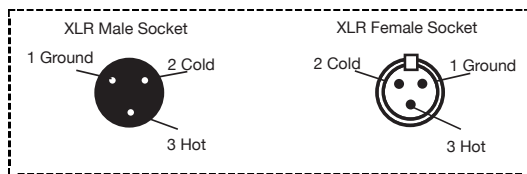


Figure 3

XLR Pin Configuration
Pin 1 = Ground
Pin 2 = Data Compliment (negative)
Pin 3 = Data True (positive)

Special Note: Line Termination. When longer runs of cable are used, you may need to use a terminator on the last unit to avoid erratic behavior. A terminator is a 110-120 ohm 1/4 watt resistor which is connected between pins 2 and 3 of a male XLR connector (DATA + and DATA -). This unit is inserted in the female XLR connector of the last unit in your daisy chain to terminate the line. Using a cable terminator (ADJ part number Z-DMX/T) will decrease the possibilities of erratic behavior.



Termination reduces signal errors and avoids signal transmission problems and interference. It is always advisable to connect a DMX terminal, (Resistance 120 Ohm 1/4 W) between PIN 2 (DMX-) and PIN 3 (DMX +) of the last fixture.

Figure 4

Boom Box FX3

DMX Set Up

5-Pin XLR DMX Connectors. Some manufactures use 5-pin XLR connectors for DATA transmission in place of 3-pin. 5-pin XLR fixtures may be implemented in a 3-pin XLR DMX line. When inserting standard 5-pin XLR connectors in to a 3-pin line a cable adaptor must be used, these adaptors are readily available at most electric stores. The chart below details a proper cable conversion.

3-Pin XLR to 5-Pin XLR Conversion		
Conductor	3-Pin XLR Female (Out)	5-Pin XLR Male (In)
Ground/Shield	Pin 1	Pin 1
Data Compliment (- signal)	Pin 2	Pin 2
Data True (+ signal)	Pin 3	Pin 3
Not Used		Pin 4 - Do Not Use
Not Used		Pin 5 - Do Not Use

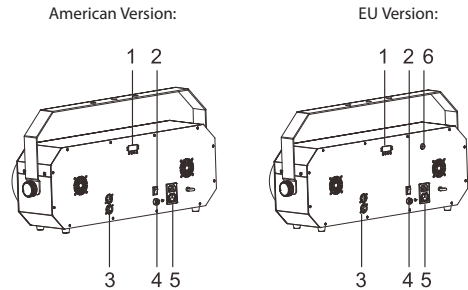
Boom Box FX3

Installation

The unit should be mounted using a mounting clamp (not provided), affixing it to the mounting bracket that is provided with the unit. Always ensure that the unit is firmly fixed to avoid vibration and slipping while operating. Always ensure that the structure to which you are attaching the unit is secure and is able to support a weight of 10 times the unit's weight. Also, always use a safety cable that can hold 12 times the weight of the unit when installing the fixture. The equipment must be installed by a professional, and it must be installed in a place where it is out of the reach of people's grasp.

Boom Box FX3

Rear Layout



1. Function Display: Used to show the various menus and the selected functions.

Button:

MENU	To select the programming functions
UP	To go forward in the selected functions
DOWN	To go backward in the selected functions
ENTER	To confirm the selected functions

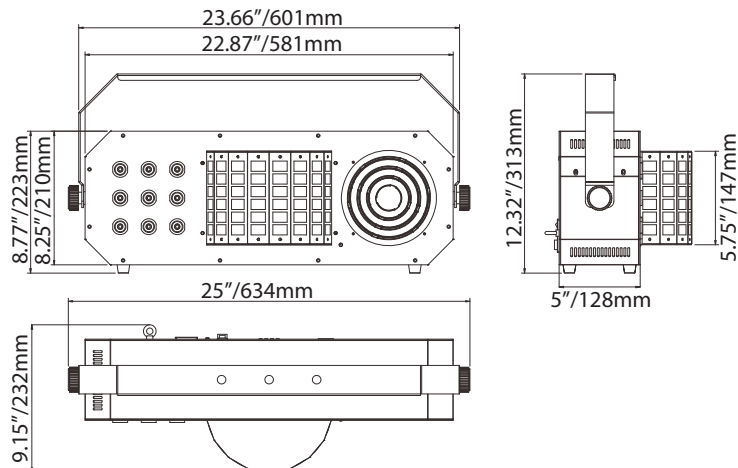
LED:

MASTER	On	Master mode
SLAVE	On	Slave mode
SOUND	On	Sound activation
DMX	On	DMX input present

- On/Off Switch: To turn on/off the unit.
- DMX IN/OUT: For DMX512 links, use 3 pin XLR plug cable to link the unit together.
- FUSE: (T 2A): Protect the unit from damage of over current.
- POWER IN/OUT: Used to connect to power outlet or next fixture.
- Key for Laser: To turn on/off the laser. (Only for EU version)

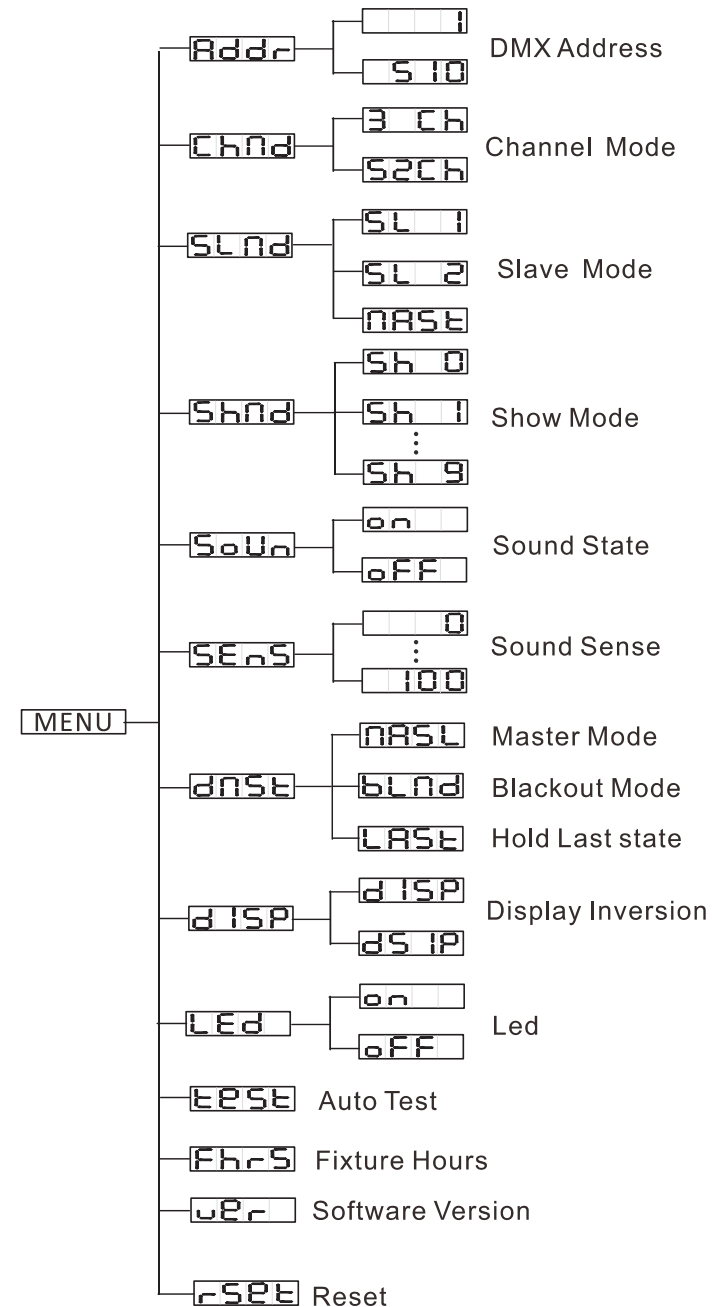
Boom Box FX3

CAD Drawing



Boom Box FX3

System Menu



System Menu: When making adjustments press **ENTER** to confirm your setup then press and hold the **MENU** button for at least 3 seconds. To exit without making any adjustments press the **MENU** button. The display will lock after 30 seconds, press the **MENU** button for 3 seconds to unlock.

ADDR - DMX Address Setting.

1. Press the either the **MENU**, **UP**, or **DOWN** buttons until “**ADDR**” is displayed, press **ENTER**.
2. The current address will now be displayed and flashing. Press the **UP** or **DOWN** buttons to find your desired address. Press **ENTER** to set your desired DMX address.

CHND - This will let select your desired DMX channel mode.

1. Press the **MENU** button until “**CHND**” is displayed, press **ENTER**. The current DMX channel mode will be displayed
2. Press the **UP** or **DOWN** buttons to find your desired DMX channel mode and press **ENTER** to confirm and exit.

SLND - This will let you set unit as a master or slave in a master/slave configuration.

1. Press the **MENU** button until “**SLND**” is displayed, press **ENTER**. Either “**MAST**”, “**SL 1**”, or “**SL 2**” will be displayed.
2. Press the **UP** or **DOWN** buttons until your desired setting is displayed, press **ENTER** to confirm.

NOTE: In a Master/Slave configuration you can set one fixture to Master and then set the next fixture to “**SL 2**”, the fixtures will now have contrast movement to each other.

SHND - Show modes 0-9 (Factory programs).

1. Press the **MENU** button until “**SHND**” is displayed, press **ENTER**.
2. “**Sh X**” will now be displayed, “**X**” representing a number between 0-6. Shows 1-6 are factory programs, while show “0” is random mode. Use the **UP** or **DOWN** buttons to find your desired show.
3. When you have found your desired show press **ENTER**, then press and hold the **MENU** button for at least 3 seconds to activate. After you have set your desired show, it can be changed at any time using the **UP** or **DOWN** buttons.

SOUN - Sound Active mode.

1. Press the **MENU** button until “**SOUN**” is displayed, press **ENTER**.
2. The display will show either “**ON**” or “**OFF**”. Press the **UP** or **DOWN** buttons to select “**ON**” to activate sound active mode, or “**OFF**” to deactivate sound active mode.
3. Press **ENTER** to confirm.

SENS - In this mode you can adjust the sound sensitivity.

1. Press the **MENU** button until “**SENS**” is displayed, press **ENTER**.
2. A number between 0-100 will be displayed. Press the **UP** or **DOWN** buttons to adjust the sound sensitivity. 0 being the least sensitive, and 100 being the most sensitive.
3. When you have found your desired setting press **ENTER** to confirm.

DNST - This mode can be used as a precaution mode, that in case the DMX signal is lost, interrupted, or power is lost, the operating mode chosen in the setup is the running mode the fixture will go into when the DMX signal is lost. You can also set this as the operating mode you would like the unit to return to when power is applied.

1. Press the MENU button until “**DNST**” is displayed, and either “**MASL**”, “**BLND**”, or “**LAST**” will be displayed beneath.
2. Press ENTER and the bottom choice will begin to flash. Use the UP or DOWN buttons to choose an operating mode you would like the unit to start up in when power is applied or the DMX signal is lost.

- **LAST** - If the DMX signal is lost the fixture will stay in the last DMX setting. If power is applied and this mode is set, the unit will automatically go into the last DMX set up.

- **MASL** (Master Slave) - If the DMX signal is lost or power is applied, the unit will automatically go into Master Slave mode and run a built-in show.

- **BLAC** (Blackout) - If the DMX signal is lost or interrupted, the unit will automatically go into stand by mode.

3. Press ENTER to confirm your desired set up.

DISP - This function will reverse the display 180°.

1. Press the MENU button until “**DISP**” is displayed, press ENTER.
2. Press ENTER to “flip” the display. Press ENTER to “flip” it again. Press ENTER when you have made your desired setup.

LED - With this function you can have the LED display turn off after 10 seconds.

1. Press the MENU button until “**LED**” is displayed, press ENTER.
2. The display will show either “**ON**” or “**OFF**”. Press the UP or DOWN buttons to select “**ON**” to keep the LED display on at all times, or “**OFF**” to switch to have the LED display switch off after 10 seconds.

TEST - This function will run a self test program.

1. Press the MENU button until “**TEST**” is displayed, press ENTER.
2. The fixture will now run a self test.

FHRS - With this function you can display the running time of the unit.

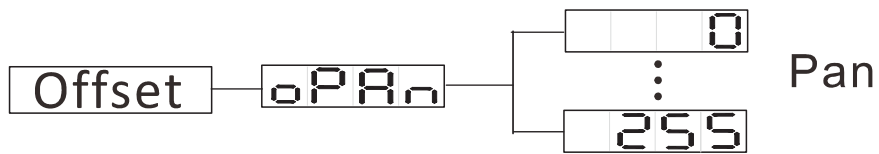
1. Press the MENU button until “**FHRS**” is displayed, press ENTER.
2. The running time of the fixture will now be displayed. Press MENU to exit.

VER - Use this function to display the Software version of the unit.

1. Press the either the MENU button until “**VER**” is displayed, press ENTER.
2. The display will show the software version.

RSET - This function will reset the unit.

1. Press the MENU button until “**RSET**” is displayed. Press the ENTER button and the unit will reset itself.



To enter the home position adjustment menu, press the ENTER button for at least 5 seconds. In this submenu you are able to adjust the original position of the beam and gobo motors and laser motors.

oPAn - Adjustment of the beam motor.

1. Press the ENTER button for at least 5 seconds, then press the UP or DOWN buttons so that “**oPAn**” is displayed, press ENTER.
2. Use the UP and DOWN buttons to make your adjustments, and then press ENTER to confirm. Press the MENU button for one second to exit.

Universal DMX Control: This function allows you to use a universal DMX-512 controller to control the matrix lights, moonflower rotation, strobing, and the visual ring colors. A DMX controller allows you to create unique programs tailored to your individual needs.

1. The Boom Box FX3 has a 2 DMX channel modes; a 3 channel mode and 52 channel mode. See pages 18-22 for detailed description of the DMX values and traits.
2. To control your fixture in DMX mode, follow the set-up procedures on pages 7-9 as well as the set-up specifications that are included with your DMX controller.
3. Follow the instructions on page 13 to select your desired DMX channel mode and set the DMX address.
4. For longer cable runs (more than a 100 feet) use a terminator on the last fixture.
5. For help operating in DMX mode consult the manual included with your DMX controller.

Sound Active Mode: This mode allows a single unit or several units linked together, to run to the beat of the music.

1. Press the MENU button until “**Soun**” is displayed, and press ENTER.
2. Press the UP or DOWN buttons to either activate sound active mode or deactivate, and press ENTER. The unit will now run to the beat of the music.
3. The sound sensitivity can be adjusted by pressing the MENU button until “**Sens**” is displayed, and then press ENTER. Use the UP or DOWN buttons to adjust the sound sensitivity, 0 being the least sensitive, and 100 being the most sensitive.

Show Mode: This mode allows a single unit or several units linked together, to run 1 of 9 built-in shows.

1. Press the MENU button until “**Shnd**” is displayed, and press ENTER.
2. Press the UP or DOWN buttons to find your desired show and press ENTER. The unit will now run your chosen built-in program.

Master-Slave Operation This function will allow you to link up to 16 units together and operate without a controller. In a Master-Slave set up, one unit will act as the controlling unit and the others will react to the controlling units programs. Any unit can act as a Master or as a Slave.

1. Using approved DMX data cables, daisy chain your units together via the XLR connector on the rear of the units. Remember the Male XLR connector is the input and the Female XLR connector is the output. The first unit in the chain (master) will use the female XLR connector only - The last unit in the chain will use the male XLR connector only. For longer cable runs we suggest a terminator at the last fixture.
2. On the Master unit press the MENU button until “**SLND**” is displayed, and press ENTER. Use the UP and DOWN buttons to scroll to the “**MAST**” setting and press ENTER.
3. After setting the Master unit to the master setting find and set your desired operating mode.
4. On the slave units press the MENU button until “**SLND**” is displayed, and press ENTER. Choose either “**SL 1**” or “**SL 2**” and press ENTER. See page 10 for more info.
5. The slave units will now follow the Master unit.

With this feature you can connect the fixtures to one another using the IEC input and output sockets. The quantity that can be connected is 8 fixtures maximum @ 120V, and 16 fixtures maximum @ 230V. After the maximum amount of fixtures has been reached, you will need to use a new power outlet. They must be the same fixtures. DO NOT mix fixtures.

The **UC IR (sold separately)** infrared remote gives you control of various functions (See below). To control the fixture you must aim the remote at the front of the fixture and be no more than 30 feet away.

The Boom Box FX3 is also compatible with the **Airstream IR** app. The IR transmitter is available through any ADJ dealer or through the ADJ parts website. Plug the transmitter into the headphone jack of your iOS phone or tablet. To control your IR fixture you must raise the volume to the maximum on your iOS phone or tablet and aim the transmitter at the front of the fixture and be no more than 15 feet away. After you have purchased the Airstream IR transmitters, the app is a free download from the app store for your iOS phone or tablet. The app comes with 3 pages of control depending on the IR fixture you are using. Please see below for IR functions including the corresponding app page.

Works with App page 1.

STAND BY - Pressing this button will blackout the fixture. Press the button again to return to the initial state.

FULL ON - Hold this button down to fully light up the unit. When you let the button go, the unit will return to its previous state.

STROBE - Not valid for this unit.

FADE/GOBO - Press this button and the press one of the numeral buttons to select your desired show.

“DIMMER +” and “DIMMER -” - These button’s are invalid for this fixture.

COLOR - Press this button and the press one of the numeral buttons to select your desired show.

1-9 - Use buttons 1-9 to select your desired show when show mode is activated.

SOUND ON & OFF - Use the buttons to activate and deactivate sound active mode.

SHOW 0 - Press this button to activate show 0 and show mode. Use buttons 1-9 to select your desired show.

Boom Box FX3		3 Channel Mode
Channel	Value	Function
1	0 - 69	SHOW MODE NO FUNCTION
	70 - 79	SHOW 1
	80 - 89	SHOW 2
	90 - 99	SHOW 3
	100 - 109	SHOW 4
	110 - 119	SHOW 5
	120 - 129	SHOW 6
	130 - 139	SHOW 7
	140 - 209	SHOW 8
	210 - 249	SHOW 9
	250 - 255	SHOW 0
2	0 - 255	SHOW SPEED
		SHOW SPEED SLOW - FAST
3	0 - 139	SPECIAL FUNCTIONS
	140 - 209	NO FUNCTION
	210 - 249	RESET ALL
	250 - 255	NO FUNCTION
	250 - 255	SOUND ACTIVE

Boom Box FX3		52 Channel Mode
Channel	Value	Function
1	0 - 255	MATRIX RED LED 1 0% - 100%
2	0 - 255	MATRIX GREEN LED 1 0% - 100%
3	0 - 255	MATRIX BLUE LED 1 0% - 100%
4	0 - 255	MATRIX RED LED 2 0% - 100%
5	0 - 255	MATRIX GREEN LED 2 0% - 100%
6	0 - 255	MATRIX BLUE LED 2 0% - 100%
7	0 - 255	MATRIX RED LED 3 0% - 100%
8	0 - 255	MATRIX GREEN LED 3 0% - 100%
9	0 - 255	MATRIX BLUE LED 3 0% - 100%
10	0 - 255	MATRIX RED LED 4 0% - 100%
11	0 - 255	MATRIX GREEN LED 4 0% - 100%
12	0 - 255	MATRIX BLUE LED 4 0% - 100%
13	0 - 255	MATRIX RED LED 5 0% - 100%
14	0 - 255	MATRIX GREEN LED 5 0% - 100%
15	0 - 255	MATRIX BLUE LED 5 0% - 100%
16	0 - 255	MATRIX RED LED 6 0% - 100%
17	0 - 255	MATRIX GREEN LED 6 0% - 100%
18	0 - 255	MATRIX BLUE LED 6 0% - 100%

Boom Box FX3		52 Channel Mode
Channel	Value	Function
19	0 - 255	MATRIX RED LED 7 0% - 100%
20	0 - 255	MATRIX GREEN LED 7 0% - 100%
21	0 - 255	MATRIX BLUE LED 7 0% - 100%
22	0 - 255	MATRIX RED LED 8 0% - 100%
23	0 - 255	MATRIX GREEN LED 8 0% - 100%
24	0 - 255	MATRIX BLUE LED 8 0% - 100%
25	0 - 255	MATRIX RED LED 9 0% - 100%
26	0 - 255	MATRIX GREEN LED 9 0% - 100%
27	0 - 255	MATRIX BLUE LED 9 0% - 100%
28	0 - 7 8 - 15 16 - 131 132 - 139 140 - 181 182 - 189 190 - 231 232 - 239 240 - 247 248 - 255	MATRIX STROBE CLOSE OPEN STROBING SLOW - FAST OPEN FAST CLOSE - SLOW OPEN OPEN FAST OPEN - SLOW CLOSE OPEN RANDOM STROBING OPEN
29	0 - 255	MATRIX MASTER DIMMER 0% - 100%
30	0 - 255	BEAMER RED LED 0% - 100%
31	0 - 255	BEAMER GREEN LED 0% - 100%

Boom Box FX3		52 Channel Mode
Channel	Value	Function
32	0 - 255	BEAMER BLUE LED 0% - 100%
33	0 - 255	BEAMER WHITE LED 0% - 100%
34	0 - 7 8 - 15 16 - 131 132 - 139 140 - 181 182 - 189 190 - 231 232 - 239 240 - 247 248 - 255	BEAMER STROBE CLOSE OPEN STROBING SLOW - FAST OPEN FAST CLOSE - SLOW OPEN OPEN FAST OPEN - SLOW CLOSE OPEN RANDOM STROBING OPEN
35	0 - 255	BEAMER MASTER DIMMER 0% - 100%
36	0 - 255	BEAMER MOTOR MOVEMENT
37	0 - 255	BEAMER MOTOR SPEED SLOW - FAST
38	0 - 255	1ST RING RED LED 0% - 100%
39	0 - 255	1ST RING GREEN LED 0% - 100%
40	0 - 255	1ST RING BLUE LED 0% - 100%
41	0 - 255	2ND RING RED LED 0% - 100%
42	0 - 255	2ND RING GREEN LED 0% - 100%
43	0 - 255	2ND RING BLUE LED 0% - 100%
44	0 - 255	3RD RING RED LED 0% - 100%

Boom Box FX3		52 Channel Mode
Channel	Value	Function
45	0 - 255	3RD RING GREEN LED 0% - 100%
46	0 - 255	3RD RING BLUE LED 0% - 100%
47	0 - 255	4TH RING RED LED 0% - 100%
48	0 - 255	4TH RING GREEN LED 0% - 100%
49	0 - 255	4TH RING BLUE LED 0% - 100%
50	0 - 69 70 - 79 80 - 89 90 - 99 100 - 109 110 - 119 120 - 129 130 - 139 140 - 209 210 - 249 250 - 255	SHOW MODE NO FUNCTION SHOW 1 SHOW 2 SHOW 3 SHOW 4 SHOW 5 SHOW 6 SHOW 7 SHOW 8 SHOW 9 SHOW 0
51	0 - 255	SHOW SPEED SHOW SPEED SLOW - FAST
52	0 - 139 140 - 209 210 - 249 250 - 255	SPECIAL FUNCTIONS NO FUNCTION RESET ALL NO FUNCTION SOUND ACTIVE

Boom Box FX3 Fuse Replacement

Disconnect the unit from its power source. Remove the power cord from the unit. Once the cord has been removed, the fuse holder is located next to the I.E.C. power connection. Use a phillips head screwdriver to remove the fuse holder. Remove the fuse located inside the fuse holder and replace with the new fuse. Install the fuse holder and new fuse and secure it.

Boom Box FX3 Cleaning

Fixture Cleaning: Due to fog residue, smoke, and dust cleaning the internal and external optical lenses and mirror should be carried out periodically to optimize light output. Cleaning frequency depends on the environment in which the fixture operates (I.e. smoke, fog residue, dust, dew). In heavy club use we recommend cleaning on a monthly basis. Periodic cleaning will ensure longevity, and crisp output.

1. Use normal glass cleaner and a soft cloth to wipe down the outside casing.
2. Use a brush to wipe down the cooling vents and fan grill.
3. Clean the external optics and mirror with glass cleaner and a soft cloth every 20 days.
4. Clean the internal optics with glass cleaner and a soft cloth every 30-60 days.
5. Always be sure to dry all parts completely before plugging the unit back in.

Boom Box FX3 Trouble Shooting

Trouble Shooting: Listed below are a few common problems that you may encounter, with solutions.

No light output from the unit;

1. Be sure the external fuse has not blown. The fuse is located on the rear panel of the unit.
2. Be sure the fuse holder is completely and properly seated.

Unit does not respond to sound;

1. Low frequencies (bass) should cause the unit to react to sound. Tapping on the microphone, quiet or high pitched sounds may not activate the unit.
2. Check the sound sensitivity level.

MANUFACTURER'S LIMITED WARRANTY

- A. ADJ Products, LLC hereby warrants, to the original purchaser, ADJ Products, LLC products to be free of manufacturing defects in material and workmanship for a prescribed period from the date of purchase (see specific warranty period on reverse). This warranty shall be valid only if the product is purchased within the United States of America, including possessions and territories. It is the owner's responsibility to establish the date and place of purchase by acceptable evidence, at the time service is sought.
- B. For warranty service you must obtain a Return Authorization number (RA#) before sending back the product—please contact ADJ Products, LLC Service Department at 800-322-6337. Send the product only to the ADJ Products, LLC factory. All shipping charges must be pre-paid. If the requested repairs or service (including parts replacement) are within the terms of this warranty, ADJ Products, LLC will pay return shipping charges only to a designated point within the United States. If the entire instrument is sent, it must be shipped in its original package. No accessories should be shipped with the product. If any accessories are shipped with the product, ADJ Products, LLC shall have no liability whatsoever for loss of or damage to any such accessories, nor for the safe return thereof.
- C. This warranty is void if the serial number has been altered or removed; if the product is modified in any manner which ADJ Products, LLC concludes, after inspection, affects the reliability of the product; if the product has been repaired or serviced by anyone other than the ADJ Products, LLC factory unless prior written authorization was issued to purchaser by ADJ Products, LLC; if the product is damaged because not properly maintained as set forth in the instruction manual.
- D. This is not a service contract, and this warranty does not include maintenance, cleaning or periodic check up. During the period specified above, ADJ Products, LLC will replace defective parts at its expense with new or refurbished parts, and will absorb all expenses for warranty service and repair labor by reason of defects in material or workmanship. The sole responsibility of ADJ Products, LLC under this warranty shall be limited to the repair of the product, or replacement thereof, including parts, at the sole discretion of ADJ Products, LLC. All products covered by this warranty were manufactured after August 15, 2012, and bear indentifying marks to that effect.
- E. ADJ Products, LLC reserves the right to make changes in design and/or improvements upon its products without any obligation to include these changes in any products theretofore manufactured.

No warranty, whether expressed or implied, is given or made with respect to any accessory supplied with products described above. Except to the extent prohibited by applicable law, all implied warranties made by ADJ Products, LLC in connection with this product, including warranties of merchantability or fitness, are limited in duration to the warranty period set forth above. And no warranties, whether expressed or implied, including warranties of merchantability or fitness, shall apply to this product after said period has expired. The consumer's and/or Dealer's sole remedy shall be such repair or replacement as is expressly provided above; and under no circumstances shall ADJ Products, LLC be liable for any loss or damage, direct or consequential, arising out of the use of, or inability to use, this product.

This warranty is the only written warranty applicable to ADJ Products, LLC Products and supersedes all prior warranties and written descriptions of warranty terms and conditions heretofore published.

MANUFACTURER'S LIMITED WARRANTY PERIODS:

- **Non L.E.D. Lighting Products = 1-year (365 days) Limited Warranty** (Such as: Special Effect Lighting, Intelligent Lighting, UV lighting, Strobes, Fog Machines, Bubble Machines, Mirror Balls, Par Cans, Trussing, Lighting Stands etc. excluding LED and lamps)
- **Laser Products = 1 Year (365 Days) Limited Warranty** (excluding laser diodes which have a 6 month limited warranty)
- **L.E.D. Products = 2-year (730 days) Limited Warranty** (excluding batteries which have a 180 day limited warranty). **Note: 2 Year Warranty only applies to purchases within the United States.**
- **StarTec Series = 1 Year Limited Warranty** (excluding batteries which have a 180 day limited warranty).
- **ADJ DMX Controllers = 2 Year (730 Days) Limited Warranty**

Boom Box FX3**Specifications**

Model:	Boom Box FX3
Voltage:	100V ~ 240V 50/60Hz
LED:	88 x 0.2W RGB 3-in-1 LED's 9 x 3W RGB 3-in-1 LED's 2 x 10W 4-in-1RGBW LED's
Power Draw:	75W
Fuse:	2A
Power Cord Daisy Chain:	8 Fixtures Max. (120V) 16 Fixtures Max. (230V)
Dimensions:	9.15"(L) x 22.87"(W) x 8.77"(H) 232 x 581 x 223mm (w/o bracket) 9.15"(L) x 23.66"(W) x 12.32"(H) 232 x 601 x 313mm (w/ bracket)
Weight:	14 lbs. / 6.5 kgs.
Duty Cycle:	None
DMX Channels:	2 DMX Modes: 3 & 52 Channels
Sound Active:	Yes
Working Position:	Any Safe, Secure Position
Warranty:	1 Year (365 Days)

Please Note: Specifications and improvements in the design of this unit and this manual are subject to change without any prior written notice.

ADJ Products, LLC
6122 S. Eastern Ave. Los Angeles, CA 90040 USA
Tel: 323-582-2650 / Fax: 323-725-6100
Web: www.adj.com / E-mail: info@americandj.com

A.D.J. Supply Europe B.V.
Junostraat 2
6468 EW Kerkrade
The Netherlands

Follow Us On:



facebook.com/americandj
twitter.com/americandj
youtube.com/adjlighting

service@adjgroup.eu / www.adj.com
Tel: +31 45 546 85 00 / Fax: +31 45 546 85 99