

# amp 100.2 Mk2

# amp 200.2 Mk2

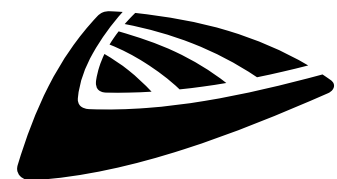
# amp 400.2 Mk2



Operation Manual EN  
Mode d'emploi FR  
Gebruiksaanwijzing NL  
Bedienungsanleitung DE  
Manual de instrucciones ES  
Manual do utilizador PT



Version: 1.0



**JBSYSTEMS**



### **EN - DISPOSAL OF THE DEVICE**

Dispose of the unit and used batteries in an environment friendly manner according to your country regulations.

### **FR - DÉCLASSER L'APPAREIL**

Débarrassez-vous de l'appareil et des piles usagées de manière écologique Conformément aux dispositions légales de votre pays.

### **NL - VERWIJDEREN VAN HET APPARAAT**

Verwijder het toestel en de gebruikte batterijen op een milieuvriendelijke manier conform de in uw land geldende voorschriften.

### **DU - ENTSORGUNG DES GERÄTS**

Entsorgen Sie das Gerät und die Batterien auf umweltfreundliche Art und Weise gemäß den Vorschriften Ihres Landes.

### **ES - DESHACERSE DEL APARATO**

Reciclar el aparato y pilas usadas de forma ecologica conforme a las disposiciones legales de su país.

### **PT - COMO DESFAZER-SE DA UNIDADE**

Tente reciclar a unidade e as pilhas usadas respeitando o ambiente e em conformidade com as normas vigentes no seu país.

# OPERATION MANUAL

Thank you for buying this JB Systems® product. To take full advantage of all possibilities, please read these operating instructions very carefully.

## FEATURES

- Professional 2-channel power amplifier
- Extremely compact 19" housing, height only 1U (44mm)
- Lightweight design based on soft start switch mode power supply
- 3 amplifier modes: stereo, mono and bridge
- Very efficient cooling, using temperature controlled fans.
- Peak limiter prevents signal distortion
- Switchable 75Hz / -24dB low cut filter
- Adjustable input sensitivity: 0,775V ~ 1,0V ~ 1,44V
- Ground lift switch
- A plastic cover (included) can be installed to prevent unauthorized persons from changing the input level.
- DC fault + high temperature + overload and short circuit protections
- Balanced XLR inputs & outputs: daisy chaining of several amplifiers
- 3 Speakon® outputs: left + right channels + bridge

## BEFORE USE

- Before you start using this unit, please check if there's no transportation damage. Should there be any, do not use the device and consult your dealer first.
- **Important:** This device left our factory in perfect condition and well packaged. It is absolutely necessary for the user to strictly follow the safety instructions and warnings in this user manual. Any damage caused by mishandling is not subject to warranty. The dealer will not accept responsibility for any resulting defects or problems caused by disregarding this user manual.
- Keep this booklet in a safe place for future consultation. If you sell the fixture, be sure to add this user manual.
- To protect the environment, please try to recycle the packing material as much as possible.

### Check the contents:

Check that the carton contains the following items:

- Power amplifier
- Operating instructions
- Mains power cable.
- Plastic cover + 4 bolts
- Allan key

## SAFETY INSTRUCTIONS:



**CAUTION:** To reduce the risk of electric shock, do not remove the top cover. No user-serviceable parts inside. Refer servicing to qualified service personnel only.



The lightning flash with arrowhead symbol within the equilateral triangle is intended to alert the user or the presence of un-insulated "dangerous voltage" within the product's enclosure that may be of sufficient magnitude to constitute a risk of electric shock.



The exclamation point within the equilateral triangle is intended to alert the user to the presence of important operation and maintenance (servicing) instructions in the literature accompanying this appliance.



This symbol means: indoor use only



This symbol means: Read instructions



This symbol means: this amplifier is capable of producing very high sound pressure levels that may permanently damage your ears. Hearing experts strongly advise against permanent exposure to high sound levels!

- To prevent fire or shock hazard, do not expose this appliance to rain or moisture.
- To avoid condensation to be formed inside, allow the unit to adapt to the surrounding temperatures when bringing it into a warm room after transport. Condense sometimes prevents the unit from working at full performance or may even cause damages.
- This unit is for indoor use only.
- Don't place metal objects or spill liquid inside the unit. No objects filled with liquids, such as vases, shall be placed on this appliance. Electric shock or malfunction may result. If a foreign object enters the unit, immediately disconnect the mains power.
- No naked flame sources, such as lighted candles, should be placed on the appliance.
- Don't cover any ventilation openings as this may result in overheating.
- Prevent use in dusty environments and clean the unit regularly.
- Keep the unit away from children.
- Inexperienced persons should not operate this device.
- Maximum save ambient temperature is 40°C. Don't use this unit at higher ambient temperatures.
- Minimum distances around the apparatus for sufficient ventilation is 10cm.
- Always unplug the unit when it is not used for a longer time or before you start servicing.
- The electrical installation should be carried out by qualified personal only, according to the regulations for electrical and mechanical safety in your country.
- Check that the available voltage is not higher than the one stated on the rear panel of the unit.
- The socket inlet shall remain operable for disconnection from the mains.
- The power cord should always be in perfect condition. Switch the unit immediately off when the power cord is squashed or damaged.
- The socket inlet is used as the disconnect device, the disconnect device shall remain readily operable
- This appliance must be earthed to in order comply with safety regulations.
- In order to prevent electric shock, do not open the cover. There are no user serviceable parts inside.
- **Never** repair a fuse or bypass the fuse holder. **Always** replace a damaged fuse with a fuse of the same type and electrical specifications!
- In the event of serious operating problems, stop using the appliance and contact your dealer immediately.
- Please use the original packing when the device is to be transported.
- Due to safety reasons it is prohibited to make unauthorized modifications to the unit.

#### **INSTALLATION GUIDELINES:**

- Install the unit in a well-ventilated location where it will not be exposed to high temperatures or humidity.
- Placing and using the unit for long periods near heat-generating sources such as amplifiers, spotlights, etc. will affect its performance and may even damage the unit.
- The unit can be mounted in 19-inch racks. Attach the unit using the 4 screw holes on the front panel. Be sure to use screws of the appropriate size. (screws not provided)
- Take care to minimize shocks and vibrations during transport.
- When installed in a booth or flight case, please make sure to have good ventilation to improve heat evacuation of the unit.
- To avoid condensation to be formed inside, allow the unit to adapt to the surrounding temperatures when bringing it into a warm room after transport. Condense sometimes prevents the unit from working at full performance.

#### **CLEANING THE APPLIANCE:**

Clean by wiping with a polished cloth slightly dipped with water. Avoid getting water inside the unit. Do not use volatile liquids such as benzene or thinner which will damage the unit.

Clean the ventilation holes regularly with a vacuum cleaner. This increases the cooling capacity of the amplifier fans and helps preventing temperature overheat.

## CONNECTIONS

Be sure to turn off the unit before you make changes to the wiring. Use good quality signal cables to ensure excellent audio quality. For example use JB cables with order codes: 7-0061 (XLR/XLR L=1m) or 7-0063 (XLR/XLR L=5m). For the speakers we suggest using the Speakon® compatible outputs. Suitable cables are for example JB order codes: 2-0505 (L=5m) or 2-0510 (L=10m).

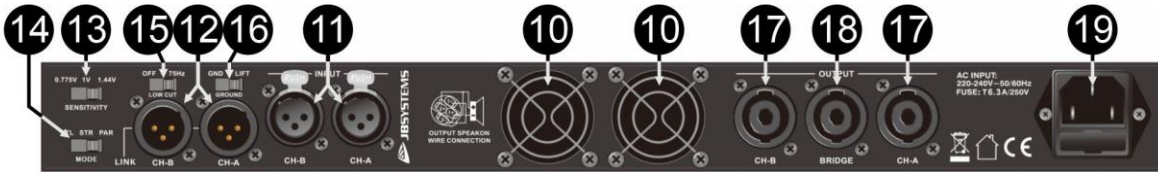
## FUNCTIONS (FRONT)



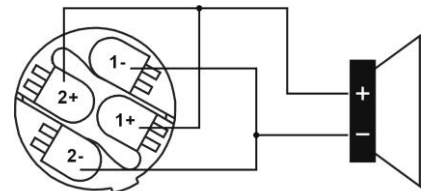
1. **POWER LED:** This white led is on when you turn the amplifier on using switch(2).
2. **MAINS SWITCH:** Used to turn the amplifier on and off. A few seconds after switching on the amplifier it is ready for operation.
3. **GAIN CONTROLS:** These potentiometers are used to control the input sensitivity of the amplifier. Each channel has its own control.  
You can use these controls to set the maximum sound level of your setup:
  - Turn both controls on the amplifier (3) to the left.
  - Put on some music on and make sure the VU meters on your mixer are at 0dB. (from time to time the red zone is lit)
  - Set the Master output from your mixer to maximum.
  - Open the Gain controls from the amplifier (3) until the maximum desired sound level is reached.
  - Make sure nobody can reach the Gain controls of the amplifier or install the plastic cover (4).
 You have just set the maximum level the DJ is able to produce. Your neighbors will be glad...☺ (in some cases the DJ is not ☺)
- Note:** In Mono and Bridge mode, only the gain control of the left channel is used to adjust the input sensitivity.
4. **PLASTIC COVER:** if you don't want people to mess around with the input level of the amplifier, just install the supplied plastic cover, using the provided allen key. All indicators are still visible but the input level can't be changed.
5. **SIGNAL LEDS:** these LEDs indicate that a music signal is present at the inputs.
6. **LIMIT LEDS:** Lit on just before the maximum, distortion free, output level of the amplifier. They indicate that the internal limiter starts working. The limit LEDs may turn on shortly from time to time but they may certainly not turn on for longer periods. In this case you have to turn the output level down!
7. **AUDIO PROTECT LED:** is on when the speakers are disconnected from the amplifier. This occurs in the following situations:
  - During the first seconds after switching on the amplifier.
  - When the temperature of the power stage becomes too high.
  - In case of a technical defect: DC protection, overload, short circuit, ...
  - While switching the amplifier off, the "protect led" turns on for a short time.
8. **POWER PROTECT LED:** is lit for 3 to 4seconds after you turn on the amplifier, this is normal. During operation this LED will be lit when a problem is detected in the power supply of the amplifier. When this occurs, please turn off the amplifier.
9. **OPERATION MODE LEDS:** These LEDs indicate the operation mode switch (14) on the rear panel is used to choose one of these 3 possible modes:
  - **STEREO MODE:** This is the most common mode, both channels are working separately.
  - **MONO MODE:** Basically this is identical to stereo mode but the inputs of both channels are linked so the output will be mono. In this case you only need to use the input of the left channel to drive both output channels.
  - **BRIDGE MODE:** Both channels are linked in "bridge mode" to obtain a mono output with much higher power.
10. **VENTILLATION FANS:** during its operation the amplifier produces heat that needs to be dissipated. The fans inside the amplifier must be able to evacuate the heat in the most effective way. Therefore is it very

important not to cover any of the ventilation openings as this may result in overheating. Clean the ventilation holes regularly with a vacuum cleaner. This increases the cooling capacity of the amplifier fans and helps preventing temperature overheat.

## FUNCTIONS (rear)



11. **XLR inputs:** You can connect these balanced inputs to balanced and unbalanced line level audio sources (example: DJ-mixer):
  - **Balanced source:** Use good quality XLR/XLR balanced audio cables.  
Example: JB Systems 7-0061 (XLR/XLR L=1m) or 7-0063 (XLR/XLR L=5m)  
**Wiring of the XLR connector:** PIN1: GND PIN2: pos+ PIN3: neg-
  - **Unbalanced source:** Use good quality XLR/cinch audio cables.  
Example: JB Systems 2-0445 (XLR/cinch L=1.5m)
12. **BALANCED XLR OUTPUTS:** Can be used to send the signal to the next amplifier. Pin1: signal ground, Pin2: signal+, Pin3: signal -
13. **INPUT SENSITIVITY switch:** With this switch you can perfectly adapt the input sensitivity of the amplifier: 0,775V; 1,0V or 1,44V.
14. **OPERATION MODE switch:** Used to set the operation mode of the amplifier. The most common operation mode is “stereo”. If you need more power, you can operate the amplifier in bridge mode. Refer also to point 9 and “HOW TO USE” for more information.
15. **LOW CUT FILTER switch:** eliminates low frequencies under 75Hz. Can be used when small speakers are connected, these cabinets often don’t support very low frequencies.
16. **GROUND LIFT switch:** In some cases nasty hum noises can occur due to ground loops in your setup. Setting the Ground lift switch to the position “lift” breaks the ground loop between the amplifier and the chassis grounds of various other components in your setup. As a result the hum noises disappear.
17. **L+R SPEAKON OUTPUTS:** use these Speakon® connectors to connect your speaker cabinets in stereo or mono mode. Wiring of these connectors is as follows:
  - POS(+) = Speakon connector PIN1+ and PIN2+
  - NEG(-) = Speakon connector PIN1- and PIN2-
18. **BRIDGE SPEAKON OUTPUT:** use this Speakon® connector to connect your speaker cabinet in bridge mode. Refer to points 3 and 12 for more information. Wiring of this connector is as follows:
  - POS(+) = Speakon connector PIN1+ and PIN2+
  - NEG(-) = Speakon connector PIN1- and PIN2-
19. **POWER input:** Use the supplied power cable to connect the amplifier to the mains. This connector also holds a 20mm glass fuse. Always replace a blown fuse by another with exactly the same specifications. (fuse specifications can be found on the rear panel, next to the power input connector)

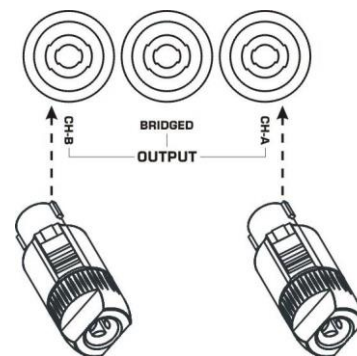


SPEAKON WIRE CONNECTION

## HOW TO USE

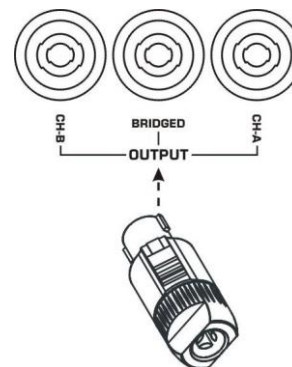
### STEREO OPERATION:

- Connect the audio signal to the inputs (11/12)
- Set the operation mode switch (14) to “stereo”
- Connect the matching speakers to the L+R Speakon® outputs (17)
- Make sure the mains voltage matches 230Vac before connecting the mains cable to the earthed wall socket.
- Set both input gains (3) to zero
- Make sure there’s a music signal at the input
- Turn the amplifier on (2)
- Adjust the input gains (3) to the desired level



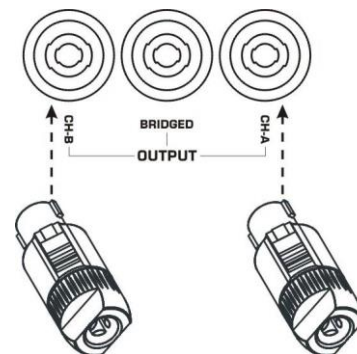
### BRIDGE OPERATION:

- Connect the audio signal to the left input (11/12)
- Set the operation mode switch (14) to “bridge”
- Connect the matching speaker(s) to the Bridge Speakon® output (18)
- Make sure the mains voltage matches 230Vac before connecting the mains cable to the earthed wall socket
- Set both input gains (3) to zero
- Make sure there’s a music signal at the left input
- Turn the amplifier on (2)
- Adjust the left input gain (3) to the desired level, leave the right channel gain to zero.



### MONO OPERATION:

- Connect the audio signal to the input of the left channel (11/12)
- Set the operation mode switch (14) to “mono”
- Connect the matching speakers to the L+R Speakon® outputs (17)
- Make sure the mains voltage matches 230Vac before connecting the mains cable to the earthed wall socket
- Set both input gains (3) to zero
- Make sure there’s a music signal at the input
- Turn the amplifier on (2)
- Adjust the left input gain (3) to the desired level, leave the right channel gain to zero.



## SPECIFICATIONS

This unit is radio-interference suppressed. This appliance meets the requirements of the current European and national guidelines. Conformity has been established and the relevant statements and documents have been deposited by the manufacturer.

	AMP 100.2	AMP 200.2	AMP 400.2
<b>Power stereo 4Ω:</b>	2x 130Wrms	2x 250Wrms	2x 450Wrms
<b>Power stereo 8Ω:</b>	2x 70Wrms	2x 130Wrms	2x 250Wrms
<b>Power bridge 8Ω:</b>	1x 260Wrms	1x 500Wrms	1x 900Wrms
<b>Peak limiters:</b>	yes	yes	yes
<b>THD+N (stereo 8Ω):</b>	<0,1%	<0,1%	<0,1%
<b>Freq. Response (+/-1dB):</b>	20-20.000Hz	20-20.000Hz	20-20.000Hz
<b>Input sensitivity:</b>	0,775V~1,0V~1,44V	0,775V~1,0V~1,44V	0,775V~1,0V~1,44V
<b>S/N ratio (A-weighted):</b>	>100dB	>100dB	>100dB
<b>Slew Rate:</b>	>20V/ms	>20V/ms	>20V/ms
<b>Weight:</b>	3,7kg	3,7kg	4kg
<b>Dimensions:</b>	483x240x44 (19" / 1U)	483x240x44 (19" / 1U)	483x240x44 (19" / 1U)

Every information is subject to change without prior notice

You can download the latest version of this user manual on our website: [www.jb-systems.eu](http://www.jb-systems.eu)

# MODE D'EMPLOI

Nous vous remercions d'avoir acheté ce produit JB Systems®. Veuillez lire ce mode d'emploi très attentivement afin de pouvoir exploiter toutes les possibilités de cet appareil.

## CARACTERISTIQUES

- Amplificateur de puissance professionnel à deux canaux.
- Boîtier extrêmement compact en rack de 19", une unité de hauteur (44mm) seulement !
- Design tout en légèreté et permettant un 'soft start' grâce à la technologie de l'alimentation à découpage.
- Trois modes d'amplification sont disponibles : stéréo, mono et bridgé.
- Système de refroidissement très efficace qui fait appel à des ventilateurs contrôlés par la température.
- Un limiteur de pics permet d'éviter de la distorsion dans le signal.
- Filtre passe-haut débrayable de 75 Hz / -24 dB.
- Sensibilité d'entrée ajustable : 0,775V ~ 1,0V ~ 1,44V.
- Interrupteur de mise à la terre.
- Un couvercle en plastic (inclus) peut être installé afin d'éviter toute manipulation du niveau d'entrée.
- Protections : anomalies de courant continu + température élevée + surcharge + coupe-circuit.
- Entrées et sorties symétriques XLR : possibilité de raccorder plusieurs amplificateurs l'un à l'autre.
- Trois sorties Speakon® : canaux gauche et droit + bridge.

## AVANT L'UTILISATION

### Quelques instructions importantes:

- Avant d'utiliser cet appareil, assurez-vous de l'absence de dommages liés au transport. En cas de dommages, n'utilisez pas l'appareil et contactez le vendeur.
- **Important:** Cet appareil a quitté notre usine en parfaite condition et bien emballé. Il est primordial que l'utilisateur suive les instructions de sécurité et avertissements inclus dans ce manuel. La garantie ne s'applique pas en cas de dommage lié à une utilisation incorrecte. Le vendeur ne prend pas la responsabilité des défauts ou de tout problème résultant du fait de n'avoir pas tenu compte des mises en garde de ce manuel.
- Conservez ce manuel dans un endroit sûr pour toute consultation future. Si vous vendez l'appareil, assurez-vous d'y joindre ce manuel également.
- Afin de protéger l'environnement, merci de recycler les emballages autant que possible.

### Vérifiez le contenu:

Vérifiez si l'emballage contient bien les articles suivants :

- Mode d'emploi
- Amplificateur
- Câble d'alimentation.
- Couvercle en plastic + 4 vis
- Clef allen

## INSTRUCTIONS DE SECURITE:



**ATTENTION:** afin de réduire le risque d'électrocution, n'enlevez jamais le couvercle de l'appareil. Il n'y a aucune pièce à l'intérieur de l'appareil que vous puissiez remplacer vous-même. Confiez l'entretien uniquement à des techniciens qualifiés.



La flèche dans un triangle met l'utilisateur en garde contre la présence de haute tension sans isolation dans l'appareil, ce qui peut causer un risque d'électrocution.





Un point d'exclamation dans un triangle prévient de la présence d'instructions relatives au fonctionnement et à la maintenance se trouvant dans le manuel fourni avec l'appareil.



Ce symbole signifie: uniquement pour usage à l'intérieur.



Ce symbole signifie : Lire le mode d'emploi.

- Afin d'éviter tout risque d'incendie ou de décharge électrique, ne pas exposer cet appareil à la pluie ou l'humidité.
- Pour éviter la formation de condensation à l'intérieur de l'appareil, patientez quelques minutes pour laisser l'appareil s'adapter à la température ambiante lorsqu'il arrive dans une pièce chauffée après le transport. La condensation empêche l'appareil de fonctionner de manière optimale, et elle peut même causer des dommages.
- Cet appareil est destiné à une utilisation à l'intérieur uniquement.
- Ne pas insérer d'objet métallique ou renverser de liquide dans l'appareil. Aucun objet contenant un liquide, tels que des vases, ne peut être placé sur cet appareil. Cela risquerait de provoquer une décharge électrique ou un dysfonctionnement. Si un corps étranger est introduit dans l'appareil, déconnectez immédiatement de la source d'alimentation.
- Aucune source de flamme nue, telle que des bougies allumées, ne peut être placée sur l'appareil.
- Ne pas couvrir les orifices de ventilation, un risque de surchauffe en résulterait.
- Ne pas utiliser l'appareil dans un environnement poussiéreux et le nettoyer régulièrement.
- Ne pas laisser l'appareil à portée des enfants.
- Les personnes non expérimentées ne doivent pas utiliser cet appareil.
- La température ambiante maximale d'utilisation de l'appareil est de 40°C. Ne pas l'utiliser au-delà de cette température.
- Rien ne doit se trouver contre l'appareil : la distance minimum pour en permettre une ventilation suffisante est de 3cm.
- Débranchez toujours l'appareil si vous ne l'utilisez pas de manière prolongée ou avant d'entreprendre des réparations.
- Les installations électriques ne peuvent être faites que par du personnel qualifié et conformément aux règlements de sécurité électrique et mécanique en vigueur dans votre pays.
- Assurez-vous que la tension d'alimentation de la source d'alimentation de la zone dans laquelle vous vous trouvez ne dépasse pas celle indiquée à l'arrière de l'appareil.
- La prise doit toujours être accessible pour que le cordon secteur puisse être enlevé à tout moment.
- Le cordon d'alimentation doit toujours être en parfait état. Mettez immédiatement l'unité hors tension si le cordon devait être écrasé ou endommagé. Pour éviter tout risque de choc électrique, le cordon doit être remplacé par le constructeur, son agent ou un technicien qualifié.
- Ne laissez jamais le cordon d'alimentation entrer en contact avec d'autres câbles !
- Quand l'interrupteur principal est en position OFF, cet appareil n'est pas complètement isolé du courant 230V !
- L'appareil doit être à la masse selon les règles de sécurité.
- Utilisez toujours des câbles appropriés et certifiés lorsque vous installez l'appareil.
- Pour éviter toute décharge électrique, ne pas ouvrir l'appareil. En dehors du fusible principal, il n'y a pas de pièces pouvant être changées par l'utilisateur à l'intérieur.
- **Ne jamais** réparer ou court-circuiter un fusible. Remplacez  **systématiquement**  un fusible endommagé par un fusible de même type et ayant les mêmes spécifications électriques !
- En cas de problèmes de fonctionnement sérieux, arrêtez toute utilisation de l'appareil et contactez votre revendeur immédiatement.
- Utilisez l'emballage d'origine si l'appareil doit être transporté.
- Pour des raisons de sécurité, il est interdit d'apporter une quelconque modification à l'appareil non spécifiquement autorisée par les parties responsables.

#### **CONSEILS D'INSTALLATION:**

- Installer l'appareil dans un lieu bien aéré, à l'abri de l'humidité et des fortes températures.
- Placer et utiliser l'appareil à proximité de sources de chaleur telles que spots, amplis,... pourrait affecter ses performances et même endommager l'appareil.

- L'appareil peut être installé dans un rack de 19". Fixez l'appareil en utilisant les 4 trous pour vis sur la face avant. Assurez-vous d'utiliser des vis aux dimensions adaptées (vis non fournies). Essayez d'éviter les vibrations et les coups lors du transport.
- En cas d'installation dans un 'flight case', assurer une bonne ventilation afin d'évacuer la chaleur produite par l'appareil.
- Pour résorber la condensation à l'intérieur de l'appareil, le laisser s'adapter à la nouvelle température ambiante après le transport. La condensation peut altérer les performances de l'appareil.

### NETTOYAGE:

Nettoyez l'appareil à l'aide d'un chiffon doux, légèrement humide. Evitez d'introduire de l'eau à l'intérieur de l'appareil. N'utilisez pas de produits volatiles tels que le benzène ou le thinner qui peuvent endommager l'appareil.

Nettoyez régulièrement les orifices de ventilation à l'aide d'un aspirateur. Ceci augmente la capacité de refroidissement des ventilateurs et aide à éviter une éventuelle surchauffe de l'amplificateur.

## CONNEXIONS

Eteignez toujours l'appareil avant de faire un quelconque changement de câblage. Utilisez des câbles de signal de bonne qualité afin d'assurer une excellente qualité audio. Utilisez par exemple les câbles JB au codes de commande: 7-0061 (XLR/XLR L=1m) ou 7-0063 (XLR/XLR L=5m). Pour les haut-parleurs nous vous suggérons d'utiliser les sorties compatibles Speakon®. Les câbles qui conviennent sont par exemple les JB aux codes de commande: 2-0505 (L=5m) ou 2-0510 (L=10m).

## FONCTIONS (FACE AVANT)

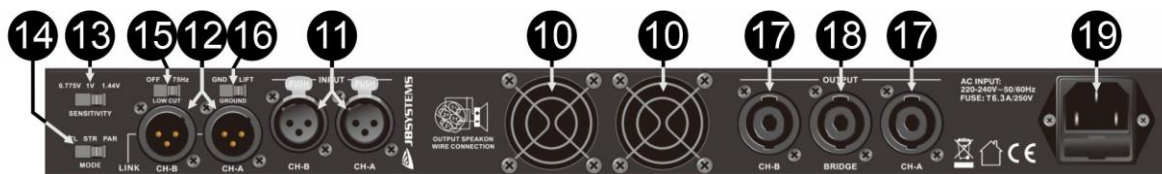


1. **POWER LED:** cette Led blanche est allumée quand vous allumez l'amplificateur en utilisant l'interrupteur (2).
2. **MAINS SWITCH:** est utilisé pour allumer ou éteindre l'amplificateur. Quelques secondes après avoir allumé l'amplificateur il sera prêt à être utilisé.
3. **CONTRÔLES DE GAIN:** ces potentiomètres sont utilisés pour contrôler la sensibilité d'entrée de l'amplificateur. Chaque canal possède son propre réglage.  
Vous pouvez utiliser ces potentiomètres pour régler le niveau sonore maximal de votre installation:
  - Tournez les deux potentiomètres de votre amplificateur vers la gauche (3).
  - Mettez de la musique et vérifiez si les VU mètres de votre table de mixage sont à 0dB. (la zone rouge s'allume de temps en temps)
  - Réglez le niveau de sortie principal de votre table de mixage (Master) sur maximum.
  - Ouvrez les potentiomètres de Gain de l'amplificateur (3) jusqu'à ce que le niveau sonore que vous désirez soit atteint.
  - Assurez-vous que personne ne peut toucher les potentiomètres de Gain de votre amplificateur. Vous venez de régler le niveau maximal que le DJ peut produire. Vos voisins seront contents...☺ (dans quelques cas le DJ ne le sera pas☹)

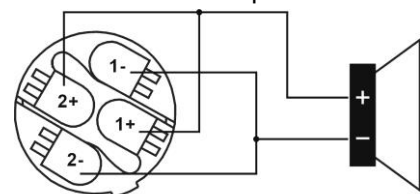
**Remarque:** En mode Mono et Bridge, seul le contrôle du canal gauche est utilisé pour régler la sensibilité d'entrée.
4. **COUVERCLE EN PLASTIC:** si vous ne voulez pas que l'on touche à vos réglages de niveau, vous pouvez installer le couvercle en plastique à l'aide de la clef allen fournie. Tous les indicateurs restent visibles, mais personne peut changer le niveau d'entrée.
5. **SIGNAL LEDS:** ces LED indiquent la présence d'un signal audio à l'entrée.
6. **LIMIT LEDS:** s'allume juste avant le niveau de sortie maximal sans distorsion de l'amplificateur. Les LED « LIMIT » indiquent que les limiteurs de l'ampli doivent intervenir. Ces LEDs peuvent s'allumer brièvement de temps en temps mais il ne peuvent certainement pas restés allumés pendant de longues périodes. Dans ce cas vous devez diminuer le niveau de sortie!

7. **AUDIO PROTECT LED:** la LED de protection est allumée quand les haut-parleurs sont déconnectés de l'amplificateur. Ceci peut se produire dans les cas suivants:
- Pendant la première seconde après avoir allumé l'amplificateur.
  - Quand la température du module d'amplification final devient trop élevée.
  - Dans le cas d'une panne technique: protection DC, surcharge, court-circuit, ...
  - Quand vous éteignez l'amplificateur, la "protect led" s'allume pendant un bref instant.
8. **POWER PROTECT LED:** s'allumera pendant 3 à 4 secondes quand vous allumez l'amplificateur, ceci est normal. Pendant un fonctionnement normal, la LED s'allumera si un problème est détecté au niveau de l'alimentation de l'amplificateur. Si cela arrive, vous devez éteindre l'amplificateur.
9. **LED MODE D'OPÉRATION:** Ces LED indiquent le mode d'opération. Le commutateur (14) sur le panneau arrière est utilisé pour choisir 1 de ces 3 modes possibles:
- **MODE STÉRÉO:** C'est le mode le plus commun, les deux canaux travaillent séparément.
  - **MODE MONO:** Fondamentalement ce mode est identique au mode stéréo mais les entrées des deux canaux sont reliées, ainsi le son sera en mono. Dans ce cas-ci vous devez seulement employer l'entrée du canal gauche pour alimenter les deux canaux de sortie.
  - **MODE BRIDGE:** Les deux canaux sont reliés pour obtenir une sortie mono avec une puissance beaucoup plus élevée.
10. **VENTILATEURS:** pendant son fonctionnement l'amplificateur produit de la chaleur qui doit être dissipée. Les ventilateurs à l'intérieur de l'amplificateur doivent pouvoir évacuer la chaleur le plus efficacement possible. Pour cela il est très important de ne couvrir aucun orifice de ventilation car ceci peut provoquer une surchauffe. Nettoyez régulièrement les orifices de ventilation à l'aide d'un aspirateur. Ceci augmente la capacité de refroidissement des ventilateurs et aide à éviter une éventuelle surchauffe de l'amplificateur.

## FONCTIONS (FACE ARRIERE)



11. **Entrées XLR:** vous pouvez connecter ces entrées symétriques à des sources audio du type line symétriques ou asymétriques (par exemple: table de mixage DJ):
- **source symétrique:** utilisez des câbles audio XLR/XLR de bonne qualité.  
Par exemple: JB Systems 7-0061 (XLR/XLR L=1m) ou 7-0063 (XLR/XLR L=5m)  
**Câblage des connecteurs XLR:** PIN1: GND PIN2: pos+ PIN3: nég-.
  - **Source non asymétrique:** utilisez des câbles audio XLR/cinch de bonne qualité.  
Par exemple: JB Systems 2-0445 (XLR/cinch L=1.5m)
12. **SORTIES XLR SYMÉTRIQUES:** peuvent être utilisées pour envoyer le signal vers l'amplificateur suivant. Pointe 1: masse, Pointe 2: signal+, Pointe 3: signal -
13. **sélecteur INPUT SENSITIVITY:** avec ce sélecteur vous pouvez parfaitement adapter la sensibilité d'entrée de l'amplificateur: 0,775V; 1,0V ou 1,44V.
14. **sélecteur MODE D'OPÉRATION:** est utilisé pour choisir le mode de fonctionnement de l'amplificateur. Le mode d'utilisation le plus courant est le mode "stéréo". Si vous avez besoin de plus de puissance, vous pouvez utiliser l'amplificateur en mode bridge. Référez-vous au point 9 et "COMMENT UTILISER" pour plus d'informations.
15. **Interrupteur LOW CUT FILTER:** élimine les basses fréquences en dessous de 75Hz. Il peut être utilisé si vous connectez de petites enceintes, car les enceintes de ce type ne supportent en général pas très bien les très basses fréquences.
16. **Interrupteur GROUND LIFT:** Dans certains cas un bourdonnement dérangeant peut se produire, du à une boucle de masse de votre installation. En mettant l'interrupteur Ground lift sur la position "lift" il brisera la boucle de masse entre l'amplificateur et la masse des châssis des autres composants de votre installation. Suite à cela les bourdonnements disparaîtront.
17. **SORTIES SPEAKON L+R:** utilisez ces connecteurs Speakon® pour connecter vos haut-parleurs en mode d'opération « stéréo » ou « mono ». Voici le câblage de ces connecteurs:



SPEAKON WIRE CONNECTION

- POS(+) = PIN1+ et PIN2+ du connecteur Speakon®
- NEG(-) = PIN1- et PIN2- du connecteur Speakon®

**18. SORTIES SPEAKON BRIDGE:** utilisez ce connecteur Speakon® pour connecter vos haut-parleurs en mode d'opération « bridge ». Référez-vous aux points (3) et (12) pour plus d'informations. Voici le câblage de ce connecteur:

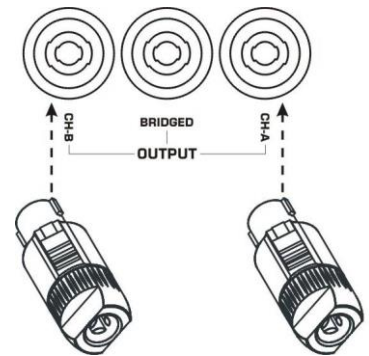
- POS(+) = PIN1+ et PIN2+ du connecteur Speakon®
- NEG(-) = PIN1- et PIN2- du connecteur Speakon®

**19. POWER input:** Utilisez le câble d'alimentation livré avec l'appareil pour relier l'amplificateur au secteur. Ce connecteur contient également un fusible en verre de 20mm. Remplacez-le uniquement par un fusible du même type et de la même valeur. (les caractéristiques se trouvent sur le panneau arrière, près du connecteur d'alimentation)

## COMMENT UTILISER

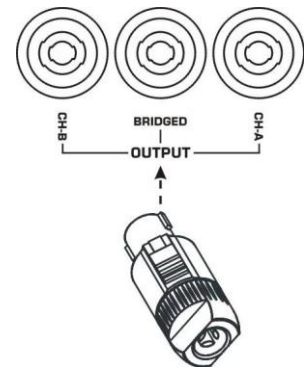
### OPÉRATION STÉRÉO:

- Reliez le signal audio aux 2 entrées (11/12)
- Mettez le commutateur de mode d'opération (14) sur la position "stéréo"
- Reliez les haut-parleurs aux sorties L+R Speakon® (17)
- Assurez vous une prise 230Vac avec terre avant de mettre le câble secteur.
- Mettez les gains d'entrée (3) à zéro
- Mettez de la musique sur les 2 entrées de l'amplificateur
- Allumez l'ampli (2)
- Mettez les gains d'entrée (3) sur le niveau désiré



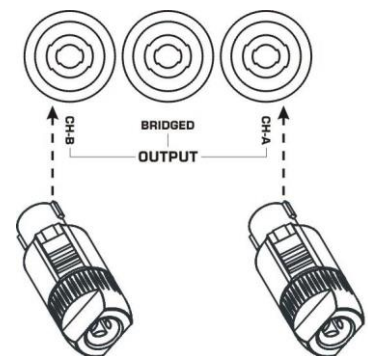
### OPÉRATION BRIDGE:

- Reliez le signal audio à l'entrée gauche (11/12) de l'ampli.
- Mettez le commutateur de mode d'opération (14) sur la position "bridge"
- Reliez le(s) haut-parleur(s) à la sortie Speakon® Bridge (18)
- Assurez vous une prise 230Vac avec terre avant de mettre le câble secteur.
- Mettez les gains d'entrée (3) à zéro
- Mettez de la musique sur l'entrée gauche de l'amplificateur
- Allumez l'ampli (2)
- Mettez le gain du canal gauche (3) sur le niveau désiré, laissez le gain du canal droite fermé.



### OPÉRATION MONO:

- Reliez le signal audio à l'entrée gauche (11/12) de l'ampli.
- Mettez le commutateur de mode d'opération (14) sur la position "mono"
- Reliez les haut-parleurs aux sorties L+R Speakon® (17)
- Assurez vous une prise 230Vac avec terre avant de mettre le câble secteur.
- Mettez les gains d'entrée (3) à zéro
- Mettez de la musique sur l'entrée gauche l'amplificateur
- Allumez l'ampli (2)
- Mettez le gain du canal gauche (3) sur le niveau désiré, laissez le gain du canal droite fermé.



## CARACTERISTIQUES TECHNIQUES

Cet appareil ne produit pas d'interférences radio. Il répond aux exigences nationales et européennes. La conformité a été établie et les déclarations et documents correspondants ont été déposés par le fabricant.

	AMP 100.2	AMP 200.2	AMP 400.2
<i>Puissance stereo 4Ω:</i>	2x 130Wrms	2x 250Wrms	2x 450Wrms
<i>Puissance stereo 8Ω:</i>	2x 70Wrms	2x 130Wrms	2x 250Wrms
<i>Puissance bridge 8Ω:</i>	1x 260Wrms	1x 500Wrms	1x 900Wrms
<i>Peak limiters:</i>	<i>oui</i>	<i>oui</i>	<i>oui</i>
<i>THD+N (stereo 8Ω):</i>	<0,1%	<0,1%	<0,1%
<i>Rép.en Fréquence(+/-1dB):</i>	20-20.000Hz	20-20.000Hz	20-20.000Hz
<i>Sensibilité d'entrée:</i>	0,775V~1,0V~1,44V	0,775V~1,0V~1,44V	0,775V~1,0V~1,44V
<i>Rapport S/B (A-weighted):</i>	>100dB	>100dB	>100dB
<i>Slew Rate:</i>	>20V/ms	>20V/ms	>20V/ms
<i>Poids:</i>	3,7kg	3,7kg	4kg
<i>Dimensions:</i>	483x240x44 (19" / 1U)	483x240x44 (19" / 1U)	483x240x44 (19" / 1U)

Chacune de ces informations peut être modifiée sans avertissement préalable. Vous pouvez télécharger la dernière version de ce mode d'emploi de notre site Web: [www.jb-systems.eu](http://www.jb-systems.eu)

# GEBRUIKSAANWIJZING

Hartelijk dank voor de aankoop van dit JB Systems® product. Om ten volle te kunnen profiteren van alle mogelijkheden en voor uw eigen veiligheid is het aangeraden de aanwijzingen zeer zorgvuldig te lezen voor U het apparaat begint te gebruiken.

## KARAKTERISTIEKEN

- Professionele 2-kanaals versterker
- Zeer compacte 19" behuizing, hoogte slechts 1U (44mm)
- Lichtgewicht design met een soft start schakelende voeding
- 3 werkmodi: stereo, mono en bridge
- Zeer doeltreffende koeling, uitgerust met temperatuurgestuurde ventilatoren.
- Piek begrenzers voorkomen vervorming van het signaal
- Omschakelbare 75Hz / -24dB low cut filter
- Regelbare ingangsgevoeligheid: 0,775V ~ 1,0V ~ 1,44V
- Ground lift schakelaar
- U kunt een (meegeleverd) plastic afdekplaatje op de versterker bevestigen om ongewenste manipulatie van de ingangsgevoeligheid te vermijden.
- Bescherming tegen: DC fout + hoge temperatuur + overbelasting en kortsluiting
- symmetrische XLR ingangen & uitgangen: u kunt verschillende verserker linken
- 3 Speakon® uitgangen: linker- en rechterkanaal + bridge uitgang

## EERSTE INGEBRUIKNAME

### Belangrijke instructies:

- Controleer voor het eerste gebruik van het apparaat of het tijdens het transport beschadigd werd. Mocht er schade zijn, gebruik het dan niet, maar raadpleeg eerst uw dealer.
- **Belangrijk:** Dit apparaat verliet de fabriek in uitstekende staat en goed verpakt. Het is erg belangrijk dat de gebruiker de veiligheidsaanwijzingen en raadgevingen in deze gebruiksaanwijzing uiterst nauwkeurig volgt. Elke schade veroorzaakt door verkeerd gebruik van het apparaat valt niet onder de garantie. De dealer aanvaardt geen verantwoordelijkheid voor mankementen en problemen die komen door het veronachtzamen van deze gebruiksaanwijzing.
- Bewaar deze brochure op een veilige plaats om hem in de toekomst nogmaals te kunnen raadplegen. Indien U ooit het apparaat verkoopt mag u niet vergeten om de gebruiksaanwijzing bij te voegen.
- Om het milieu te beschermen, probeer zoveel mogelijk het verpakkingsmateriaal te recyclen.

### Controleer de inhoud:

Kijk na of de verpakking volgende onderdelen bevat:

- Gebruiksaanwijzing
- Versterker
- Voedingskabel
- Plastic afdekplaatje + 4 schroeven
- Inbussleutel

## VEILIGHEIDSVOORSCHRIFTEN:



**CAUTION**  
RISK OF ELECTRIC SHOCK  
DO NOT OPEN



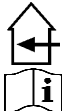
**WAARSCHUWING:** Om het risico op elektrocutie zoveel mogelijk te vermijden mag u nooit de behuizing verwijderen. Er bevinden zich geen onderdelen in het toestel die u zelf kan herstellen. Laat de herstellingen enkel uitvoeren door een bevoegde technicus.



De bliksempijl die zich in een gelijkbenige driehoek bevindt is bedoeld om u te wijzen op het gebruik of de aanwezigheid van niet-geïsoleerde onderdelen met een "gevaarlijke spanning" in het toestel die voldoende kracht heeft om een risico van elektrocutie in te houden.



Het uitroepteken binnen de gelijkbenige driehoek is bedoeld om de gebruiker erop te wijzen dat er in de meegeleverde literatuur belangrijke gebruik en onderhoudsinstructies vermeld staan betreffende dit onderdeel.



Dit symbool betekent: het apparaat mag enkel binnenshuis worden gebruikt.



Dit symbool betekent: Lees de handleiding!

- Stel dit apparaat niet bloot aan regen of vocht, dit om het risico op brand en elektrische schokken te voorkomen.
- Om de vorming van condensatie binnenin te voorkomen, laat het apparaat aan de omgevingstemperatuur wennen wanneer het, na het transport, naar een warm vertrek is overgebracht. Condensatie kan het toestel soms verhinderen perfect te functioneren. Het kan soms zelfs schade aan het apparaat toebrengen.
- Gebruik dit apparaat uitsluitend binnenshuis.
- Plaats geen stukken metaal en mors geen vocht binnen in het toestel om elektrische schokken of storing te vermijden. Objecten gevuld met water, zoals bvb. Vazen, mogen nooit op dit apparaat worden geplaatst. Indien er toch een vreemd voorwerp of water in het apparaat geraakt, moet U het direct van het lichtnet afkoppelen.
- Open vuur, zoals brandende kaarsen, mogen niet op het apparaat geplaatst worden.
- Bedek geen enkele ventilatieopening om oververhitting te vermijden.
- Zorg dat het toestel niet in een stoffige omgeving wordt gebruikt en maak het regelmatig schoon.
- Houd het apparaat uit de buurt van kinderen.
- Dit apparaat mag niet door onervaren personen bediend worden.
- De maximum veilige omgevingstemperatuur is 40°C. Gebruik het apparaat dus niet bij hogere temperaturen.
- De minimum afstand rondom dit apparaat om een goede koeling toe te laten is 3cm.
- Trek altijd de stekker uit wanneer het apparaat gedurende langere tijd niet wordt gebruikt of alvorens met de onderhoudsbeurt te beginnen.
- De elektrische installatie behoort uitsluitend uitgevoerd te worden door bevoegd personeel, volgens de in uw land geldende regels betreffende elektrische en mechanische veiligheid.
- Controleer of de beschikbare spanning niet hoger is dan die aangegeven op de achterzijde van het toestel.
- Het stopcontact zal steeds vrij toegankelijk blijven zodat de stroomkabel op elk moment kan worden uitgetrokken.
- De elektrische kabel behoort altijd in uitstekende staat te zijn. Zet het apparaat onmiddellijk af als de elektrische kabel gekneusd of beschadigd is. De kabel moet vervangen worden door de fabrikant zelf, zijn dealer of vergelijkbare bekwame personen om een brand te voorkomen.
- Laat de elektrische draad nooit in contact komen met andere draden.
- Als de netschakelaar zich in OFF (uit) positie bevindt dan is dit apparaat niet volledig van het lichtnet gescheiden!
- Volgens de veiligheidsvoorschriften moet deze installatie geaard worden.
- Om elektrische schokken te voorkomen, moet U de behuizing niet openen. Afgezien van de zekering zitten er geen onderdelen in die door de gebruiker moeten worden onderhouden.
- Repareer **nooit** een zekering en overbrug de zekeringhouder nooit. Vervang een beschadigde zekering **steeds** door een zekering van hetzelfde type en met dezelfde elektrische kenmerken.
- Ingeval van ernstige problemen met het bedienen van het toestel, stopt U onmiddellijk het gebruik ervan. Contacteer uw dealer voor een eventuele reparatie.
- Gebruik best de originele verpakking als het toestel vervoerd moet worden.
- Om veiligheidsredenen is het verboden om ongeautoriseerde modificaties aan het toestel aan te brengen.

**INSTALLATIEVOORSCHRIFTEN:**

- Plaats dit apparaat in een goed geventileerde ruimte waar het niet blootgesteld is aan hoge temperaturen of vocht.
- Het plaatsen en het gebruik van dit apparaat gedurende een lange periode in de nabijheid warmtebronnen zoals versterkers, spots, enz. zal zijn werking beïnvloeden.
- Dit apparaat kan in een 19" kast gemonteerd worden. Monteer de behuizing door middel van de 4 montageopeningen op de frontplaat. Gebruik hiervoor bouten van de juiste dikte! (deze zijn niet inbegrepen) Probeer sterke schokken en vibraties tijdens het transport zo veel mogelijk te vermijden.
- Zorg, bij inbouw in een vaste installatie of flightcase, voor een goede ventilatie om de warmte optimaal te kunnen afvoeren.
- Zorg ervoor, om inwendige vorming van condensatie te voorkomen, dat de mengtafel zich na transport kan aanpassen aan de warme binnentemperatuur. Condensatie kan de goede werking soms verhinderen.

**ONDERHOUD**

Reinig het toestel met een licht bevochtigd doek. Vermijd water in het toestel te morsen. Gebruik nooit vluchtige producten zoals benzeen of thinner, dit kan het toestel beschadigen. Reinig regelmatig de ventilatieopeningen door middel van een stofzuiger. Dit verhoogt de koelingcapaciteit van de ventilatoren in de versterker en vermindert de kans tot oververhitting.

**AANSLUITINGEN**

Zet steeds eerst het toestel uit alvorens de bekabeling te veranderen. Gebruik signaalkabels van goede kwaliteit om een uitstekende geluidskwaliteit te verzekeren. Gebruik bijvoorbeeld JB kabels met bestelcode: 7-0061 (XLR/XLR L=1m) of 7-0063 (XLR/XLR L=5m). Voor de klankkasten bevelen wij u aan de Speakon® compatibele uitgangen te gebruiken. Gepaste kabels zijn bijvoorbeeld JB met bestelcode: 2-0505 (L=5m) of 2-0510 (L=10m).

**FUNCTIES (VOORZIJD)**



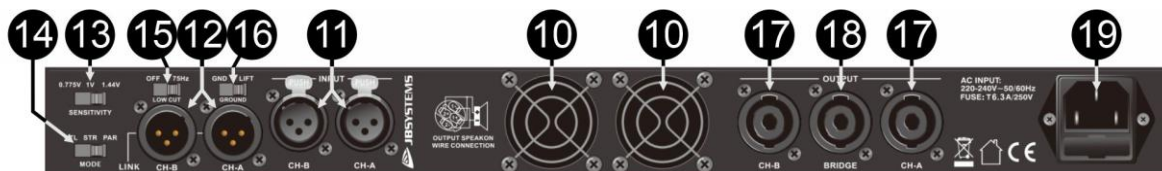
1. **POWER LED:** deze witte LED is aan wanneer u de versterker aanzet met de netschakelaar (2).
2. **NETSCHAKELAAR:** wordt gebruikt om de versterker aan en uit te zetten. Enkele seconden nadat u de versterker hebt aangezet is hij klaar voor gebruik.
3. **GAIN REGELING:** deze potentiometers worden gebruikt om de ingangsgevoeligheid van de versterker te regelen. Elk kanaal heeft zijn eigen regeling.  
 U kunt deze potentiometers gebruiken om het maximum geluidsniveau van uw installatie in te stellen:
  - Draai beide knoppen op de versterker naar links (3).
  - Zet wat muziek op en controleer of de VU meters van uw mengtafel op 0dB staan. (de rode zone gaat af en toe aan)
  - Zet de Master uitgang van uw mengtafel op maximum.
  - Open de Gain potentiometers van de versterker (3) tot wanneer u het maximaal gewenste geluidsniveau bereikt.
  - Let er op dat niemand aan de Gain regelingen van de versterker kan komen.
 U hebt net het maximum geluidsniveau ingesteld dat de DJ kan behalen. Uw burens zullen blij zijn...☺ (de DJ in sommige gevallen misschien niet ☹)
 

**Opmerking:** In Mono of Bridge modus wordt enkel de gain regeling van het linkerkanaal gebruikt om de ingangsgevoeligheid in te stellen.
4. **PLASTIC AFDEKPLAATJE:** indien u wenst dat niemand de ingangsgevoeligheid wijzigt, dan kan u de bijgeleverde plastic cover installeren met behulp van de meegeleverde inbusleutel. Alle indicaties zijn nog steeds zichtbaar, maar niemand kan de instellingen wijzigen.
5. **SIGNAL LEDS:** deze LEDs tonen dat er een muzieksignaal aanwezig is.



6. **LIMIT LEDS:** lichten op, net voor het maximum distorsie vrije uitgangsniveau van de versterker is behaald. De limit LEDs geven aan dat de limiters hun werk doen. Zij mogen af en toe even oplichten maar mogen zeker niet gedurende langere periodes aanblijven. In dat geval moet u zeker het uitgangsniveau verminderen!
7. **AUDIO PROTECT LED:** de protect LEDs zijn aan wanneer de luidsprekers ontkoppeld zijn van de versterker. Dit doet zich voor in de volgende gevallen:
  - Gedurende de eerste seconden nadat u de versterker heeft aangezet.
  - Wanneer de temperatuur van de eindtrap te hoog wordt.
  - In het geval van een technisch defect: DC beveiliging, overbelasting, kortsluiting, ...
  - Terwijl u de versterker uit zet gaat de "protect led" tijdens een korte periode aan.
8. **POWER PROTECT LED:** gaat gedurende 3 a 4 seconden aan wanneer u de versterker aan zet, dit is normaal. Tijdens de gewone werking zal deze LED aan gaan wanneer er een probleem gedetecteerd wordt met de voeding van de versterker. Als dit moest gebeuren, dan moet u de versterker uitschakelen.
9. **OPERATION MODE LEDS:** Deze LEDs tonen in welke werkingsmodus de versterker staat. U kan 1 van de 3 modi instellen met schakelaar (14) op de achterzijde:
  - **STEREO MODE:** Dit is de meest gebruikte modus, beide kanalen werken onafhankelijk (in stereo).
  - **MONO MODE:** Eigenlijk is dit deze modus identiek aan de stereo modus maar nu worden de ingangen van beide kanalen aan elkaar gekoppeld zodat de uitgang in mono staat. In deze modus hoeft U dus maar 1 signaalkabel op het linker kanaal aan te sluiten om beide uitgangen in mono aan te sturen.
  - **BRIDGE MODE:** Beide kanalen worden aan elkaar gekoppeld om zo een mono uitgang met veel groter uitgangsvermogen te creëren.
10. **VENTILATOREN:** tijdens zijn werking produceert de versterker hitte die moet worden afgevoerd. De ventilatoren in de versterker moeten de warmte op een zo efficiënt mogelijke manier kunnen evacueren. Daarom is het zeer belangrijk om geen enkele ventilatieopening af te dekken aangezien dit een oververhitting kan veroorzaken. Reinig regelmatig de ventilatieopeningen door middel van een stofzuiger. Dit verhoogt de koelingcapaciteit van de ventilatoren in de versterker en vermindert de kans tot oververhitting.

## FUNCTIES (ACHTERZIJDE)



11. **XLR ingangen:** u kunt deze symmetrische ingangen verbinden met symmetrische of asymmetrische Line geluidsbronnen (bvb: DJ-mixer):
  - **Symmetrische bron:** gebruik symmetrische XLR/XLR audio kabels van goede kwaliteit. bvb: JB Systems 7-0061 (XLR/XLR L=1m) of 7-0063 (XLR/XLR L=5m)  
**Bedrading van de XLR plug:** PIN1: GND PIN2: pos+ PIN3: neg-.
  - **Asymmetrische bron:** gebruik JACK/cinch geluidskabels van goede kwaliteit. bvb: JB Systems 2-0430 (JACK/cinch L=1.5m) of 2-0435 (L=3.0m)
12. **XLR uitgangen:** Kunnen gebruikt worden om het muzieksignaal naar de volgende versterker te sturen. Pin1: signal ground, Pin2: signal+, Pin3: signal -
13. **INPUT SENSITIVITY schakelaar:** Met deze schakelaar kunt u de ingangsgevoeligheid van de versterker perfect aanpassen: 0,775V; 1,0V or 1,44V.
14. **OPERATION MODE schakelaar:** wordt gebruikt om de werkingsmodus van de versterker te kiezen. De meest gebruikte is "stereo". Indien u meer vermogen nodig hebt, kunt u de versterker in bridge modus laten werken. Zie punt 9 en "HOE GEBRUIKEN" voor meer info.
15. **LOW CUT FILTER schakelaar:** schakelt lage frequenties onder de 75Hz uit. U kan dit toepassen wanneer u kleine klankkasten gebruikt, zij verdragen de zeer lage tonen meestal niet zo goed.
16. **GROUND LIFT schakelaar:** In sommige gevallen kunnen storende brom geluiden zich voordoen die te wijten zijn aan een aardingslus van uw installatie. Door de Ground lift schakelaar in de positie "lift" te zetten breekt u deze lus tussen de versterkeraarding en de chassisaarding van de andere componenten van uw installatie. Het resultaat hiervan is dat de bromgeluiden verdwijnen.

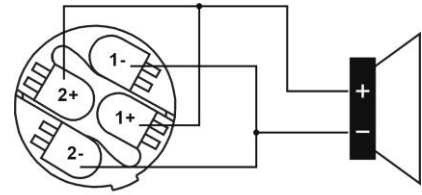
**17. L+R SPEAKON UITGANGEN:** gebruik deze Speakon® aansluitingen om uw klankkasten aan te sluiten bij gebruik van de versterker in mono of stereo modus. De bedrading van deze aansluitingen is als volgt:

- POS(+) = Speakon aansluiting PIN1+ en PIN2+
- NEG(-) = Speakon aansluiting PIN1- en PIN2-

**18. BRIDGE SPEAKON UITGANG:** gebruik deze Speakon® aansluiting om uw klankkast(en) aan te sluiten bij gebruik van de versterker in bridge modus. De bedrading van deze aansluiting is als volgt:

- POS(+) = Speakon aansluiting PIN1+ en PIN2+
- NEG(-) = Speakon aansluiting PIN1- en PIN2-

**19. POWER ingang:** gebruik de meegeleverde voedingskabel om de versterker te verbinden met het net. Deze aansluiting is voorzien van een glazen zekering van 20mm. Vervang een gesprongen zekering steeds door een andere met exact dezelfde eigenschappen. (de eigenschappen van de zekering kunt u terugvinden op de achterkant van het toestel, dicht bij de voedingsaansluiting)

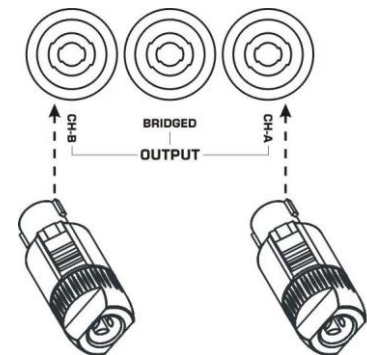


SPEAKON WIRE CONNECTION

## HOE GEBRUIKEN

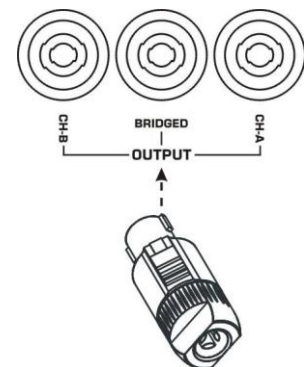
### STEREO MODUS:

- Sluit de audiobron op de ingangen (11/12) aan
- Zet de "operation mode" schakelaar (14) in de positie "stereo"
- Sluit de geschikte luidsprekers aan op de L+R Speakon® uitgangen(17)
- Verzeker U ervan dat U een 230Vac geaard stopcontact ter beschikking heeft voor U de netstekker inpluigt.
- Zet beide gain potentiometers (3) dicht
- Verzeker U ervan dat er een muziek signaal aanwezig is.
- Zet de versterker aan (2)
- Stel de gain regelingen (3) in op het gewenste niveau



### BRIDGE MODUS:

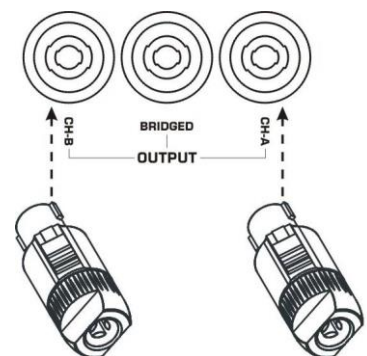
- Sluit de audiobron op de linker ingang(11/12) aan
- Zet de "operation mode" schakelaar (14) in de positie "bridge"
- Sluit de geschikte luidspreker(s) aan op de Bridge Speakon® uitgang(18)
- Verzeker U ervan dat U een 230Vac geaard stopcontact ter beschikking heeft voor U de netstekker inpluigt.
- Zet beide gain potentiometers (3) dicht
- Verzeker U ervan dat er een muziek signaal aanwezig is.
- Zet de versterker aan (2)
- Stel de gain regeling van het linkse kanaal (3) in op het gewenste niveau en laat het rechtse kanaal dicht staan.



### MONO MODUS:

- Sluit de audiobron op de linker ingang(11/12) aan
- Zet de "operation mode" schakelaar (14) in de positie "mono"
- Sluit de geschikte luidsprekers aan op de L+R Speakon® uitgangen(17)
- Verzeker U ervan dat U een 230Vac geaard stopcontact ter beschikking heeft voor U de netstekker inpluigt.
- Zet beide gain potentiometers (3) dicht
- Verzeker U ervan dat er een muziek signaal aanwezig is.
- Zet de versterker aan (2)

Stel de gain regeling van het linkse kanaal (3) in op het gewenste niveau en laat het rechtse kanaal dicht staan.



## EIGENSCHAPPEN

In dit apparaat is radio-interferentie onderdrukt. Dit product voldoet aan de gangbare Europese en nationale voorschriften. Het is vastgesteld dat het apparaat er zich aan houdt en de desbetreffende verklaringen en documenten zijn door de fabrikant afgegeven.

	<b>AMP 100.2</b>	<b>AMP 200.2</b>	<b>AMP 400.2</b>
<b>Power stereo 4Ω:</b>	2x 130Wrms	2x 250Wrms	2x 450Wrms
<b>Power stereo 8Ω:</b>	2x 70Wrms	2x 130Wrms	2x 250Wrms
<b>Power bridge 8Ω:</b>	1x 260Wrms	1x 500Wrms	1x 900Wrms
<b>Peak limiters:</b>	ja	ja	ja
<b>THD+N (stereo 8Ω):</b>	<0,1%	<0,1%	<0,1%
<b>Freq. Response (+/-1dB):</b>	20-20.000Hz	20-20.000Hz	20-20.000Hz
<b>Input sensitivity:</b>	0,775V~1,0V~1,44V	0,775V~1,0V~1,44V	0,775V~1,0V~1,44V
<b>S/N ratio (A-weighted):</b>	>100dB	>100dB	>100dB
<b>Slew Rate:</b>	>20V/ms	>20V/ms	>20V/ms
<b>Gewicht:</b>	3,7kg	3,7kg	4kg
<b>Afmetingen:</b>	483x240x44 (19" / 1U)	483x240x44 (19" / 1U)	483x240x44 (19" / 1U)

Elke inlichting kan veranderen zonder waarschuwing vooraf  
 U kan de laatste versie van deze handleiding downloaden via  
 Onze website: [www.jb-systems.eu](http://www.jb-systems.eu)

# ***BEDIENUNGSANLEITUNG***

Vielen Dank, dass Sie sich für den Erwerb dieses JBSystems®-Produkt entschieden haben. Bitte lesen Sie diese Bedienungsanleitung sorgfältig vor der Inbetriebnahme durch, zur vollen Ausschöpfung der Möglichkeiten, die dieses Gerät bietet, sowie zu Ihrer eigenen Sicherheit.

## **EIGENSCHAFTEN**

- Professioneller 2-Kanal-Verstärker
- Extrem kompaktes 19" Gehäuse, Höhe nur 1U (44 mm)
- Leichtgewichtiges Design durch Soft-Start-Schaltnetzteil (SMPS)
- 3 Verstärkermodi: Stereo-, Mono- und Brückenmodus
- Sehr leistungsfähige Kühlung durch Einsatz von temperaturgeregelten Lüfter.
- Spitzenbegrenzer vermeiden Signalverzerrungen
- Schaltbarer 75Hz / -24dB Hochpassfilter (low cut)
- Einstellbare Eingangsempfindlichkeit: 0,775V ~ 1,0V ~ 1,44V
- Ground lift-Schalter
- Eine Plastikabdeckung (enthalten) kann zum Schutz vor unautorisierten Veränderungen des Input-Pegels angebracht werden.
- Absicherung gegen DC Störung + hohe Temperatur + Überlast und Kurzschluss
- Symmetrische XLR-Eingänge & Ausgänge: in Reihe schalten von mehreren Verstärkern
- 3 Speakon® Ausgänge: linke + rechte Kanäle + Brücke

## **VOR DER ERSTBENUTZUNG**

### **Wichtige Hinweise:**

- Vor der Erstbenutzung bitte das Gerät zuerst auf Transportschäden überprüfen. Sollte das Gerät einen Schaden aufweisen, Gerät bitte nicht benutzen, sondern setzen Sie sich unverzüglich mit Ihrem Händler in Verbindung.
- **Wichtiger Hinweis:** Das Gerät hat das Werk unbeschädigt und gut verpackt verlassen. Es ist wichtig, dass der Benutzer sich streng an die Sicherheitshinweise und Warnungen in der Bedienungsanleitung hält. Schäden durch unsachgemäße Handhabung sind von der Garantie ausgeschlossen. Der Händler übernimmt keine Verantwortung für Schäden, die durch Nichtbeachtung der Bedienungsanleitung hervorgerufen wurden.
- Die Bedienungsanleitung zum zukünftigen Nachschlagen bitte aufbewahren. Bei Verkauf oder sonstiger Weitergabe des Geräts bitte Bedienungsanleitung beifügen.
- Aus Umweltschutzgründen Verpackung bitte wiederverwenden oder richtig trennen.

### **Überprüfen Sie den Inhalt:**

Folgende Teile müssen sich in der Geräteverpackung befinden:

- Bedienungsanleitung
- Endstufe
- Stromkabel.
- Plastikabdeckung + 4 Schrauben
- Inbusschlüssel

## SICHERHEITSHINWEISE



**ACHTUNG:** Um sich nicht der Gefahr eines elektrischen Schlags auszusetzen, entfernen Sie keines der Gehäuseteile. Im Geräteinneren befinden sich keine vom Benutzer reparierbaren Teile. Überlassen Sie Reparaturen dem qualifizierten Kundendienst.



Das Blitzsymbol im Dreieck weist den Benutzer darauf hin, dass eine Berührungsgefahr mit nicht isolierten Teilen im Geräteinneren, die eine gefährliche Spannung führen, besteht. Die Spannung ist so hoch, dass hier die Gefahr eines elektrischen Schlages besteht.



Das Ausrufezeichen im Dreieck weist den Benutzer auf wichtige Bedienungs- und Wartungshinweise in den Dokumenten hin, die dem Gerät beiliegen.



Dieses Symbol bedeutet: Nur innerhalb von Räumen verwenden.



Dieses Symbol bedeutet: Achtung! Bedienungsanleitung lesen!

- Zur Vermeidung von Stromschlag oder Feuer, Gerät bitte nicht Regen oder Feuchtigkeit aussetzen.
- Zur Vermeidung von Kondensation im Inneren des Geräts bitte nach dem Transport in eine warme Umgebung zum Temperatenausgleich einige Zeit ausgeschaltet stehen lassen. Kondensation kann zu Leistungsverlust des Geräts oder gar Beschädigung führen.
- Gerät nicht im Freien und in feuchten Räumen und Umgebungen verwenden.
- Keine Metallgegenstände oder Flüssigkeiten ins Innere des Geräts gelangen lassen. Keine mit Flüssigkeit gefüllten Gegenstände, z.B. Vasen, auf das Gerät stellen. Kurzschluss oder Fehlfunktion können die Folge sein. Falls es doch einmal vorkommen sollte, bitte sofort Netzstecker ziehen und vom Stromkreis trennen.
- Offene Brandquellen, wie z.B. brennende Kerzen, sollten nicht auf das Gerät gestellt werden.
- Ventilationsöffnungen nicht abdecken, da Überhitzungsgefahr!
- Nicht in staubiger Umgebung verwenden und regelmäßig reinigen.
- Für Kinder unerreichbar aufbewahren.
- Unerfahrene Personen sollen das Gerät nicht bedienen.
- Umgebungstemperatur darf 40°C nicht überschreiten.
- Minimalabstand um das Gerät für ausreichende Kühlung = 3cm.
- Stets Netzstecker ziehen, wenn Gerät für längeren Zeitraum nicht genutzt oder es gewartet wird.
- Elektrische Anschlüsse nur durch qualifiziertes Fachpersonal überprüfen lassen.
- Sicherstellen, dass Netzspannung mit Geräteaufkleber übereinstimmt.
- Die Netzsteckdose sollte immer gut erreichbar sein, um das Gerät vom Netz zu trennen.
- Gerät nicht mit beschädigtem Netzkabel betreiben. Ist die Zugangsleitung beschädigt, muss diese durch den Hersteller, seinen Vertrieb oder durch eine qualifizierte Person ersetzt werden.
- Netzkabel nicht mit anderen Kabeln in Berührung kommen lassen!
- Das Gerät ist nicht vollständig vom Netz getrennt, wenn der Netzschalter sich in der AUS-Stellung befindet.
- Um den gesetzlichen Sicherheitsbestimmungen zu entsprechen, muss dieses Gerät geerdet werden.
- Gerät nicht öffnen. Abgesehen vom Tausch der Sicherung sind keine zu wartenden Bauteile im Gerät enthalten.
- Sicherung niemals reparieren oder überbrücken, sondern immer mit gleichartiger Sicherung ersetzen!
- Bei Fehlfunktion Gerät nicht benutzen und sich mit dem Händler in Verbindung setzen.
- Bei Transport bitte Originalverpackung verwenden, um Schäden am Gerät zu vermeiden.
- Aus Sicherheitsgründen dürfen an dem Gerät keine unbefugten Veränderungen vorgenommen werden.

### INSTALLATIONSANLEITUNG:

- Stellen Sie das Gerät in einem gut belüfteten Raum auf, wo es nicht Feuchtigkeit und hohen Temperaturen ausgesetzt wird.
- Plazieren und benutzen Sie das Gerät für eine längere Zeit neben sehr warmen Geräten wie Verstärker, Lampen, etc., könnte es die Funktion des Geräts beeinträchtigen.
- Das Gerät kann in 19" Racks eingebaut werden. Benutzen Sie dafür die in der Frontblende eingelassenen Löcher.
- Sollte das Gerät in ein Flightcase eingebaut werden, achten Sie auf eine gute Luftzirkulation.

- Wenn das Gerät aus einer kalten Umgebung an einem warmen Ort aufgestellt wird, kann sich Kondenswasser bilden. Um Fehlfunktionen zu vermeiden, sollten Sie das Gerät für ca. 1 Stunde vom Stromnetz trennen.

## WARTUNG

Säubern Sie das Gerät indem Sie ein Tuch leicht befeuchten und das Gerät Vorsichtig damit reinigen. Vermeiden Sie das Wasser in das Gerät kommt.

Verwenden Sie keine starken Flüssigkeiten wie Benzin oder Lösungsmittel, Sie zerstören das Gerät.

Säubern Sie regelmäßig die Ventilationsöffnungen mit einem Staubsauger. Dies hilft den Ventilatoren im Verstärker die Kühlung aufrechtzuerhalten damit das Gerät nicht überhitzt.

## ANSCHLÜSSE

Seien Sie sich sicher das Sie das Gerät abgeschaltet haben bevor Sie Veränderungen an der Verkabelung vornehmen. Um Ihnen gute Audio Qualität zu Gewährleisten verwenden Sie ausschließlich gute Kabel. Sie können z.B: JB Kabel verwenden mit dem Bestell Code 7-0061 (XLR/XLR L=1m) oder 7-0063 (XLR/XLR L=5m). Für die Lautsprecher empfehlen wir die Speakon® Ausgänge zu verwenden. Passend wären folgende JB Kabeln, Code 2-0505 (L=5m) oder 2-0510 (L=10m).

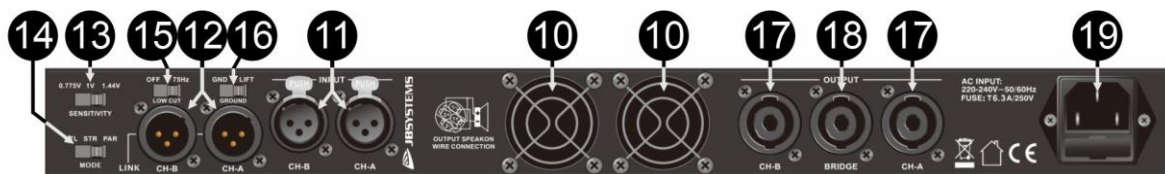
## FUNKTIONEN (VORDERSEITE)



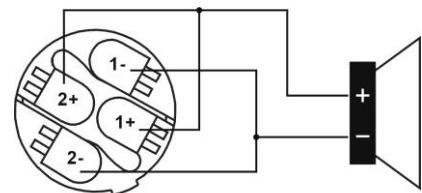
- 1. POWER LED:** Diese weiße LED Lampe leuchtet wenn Sie den Hauptschalter (2) einschalten.
- 2. HAUPTSCHALTER:** Verwenden Sie diesen Schalter um das Gerät Ein- und Auszuschalten. Ein paar Sekunden nach einschalten des Gerätes ist es Einsatzbereit.
- 3. LAUTSTÄRKE REGLER:** Mit diesen Potentiometern regeln Sie die Lautstärke des Verstärkers. Jeder Kanal ist getrennt regelbar. Sie können diese Controller benützen um ein Maximum an Lautstärke zu erreichen.
  - Drehen Sie beide Regler(3) an der Endstufe nach links.
  - Legen Sie Musik auf und vergewissern Sie sich das die VU Anzeige an Ihrem Mixer auf 0dB steht. (Von Zeit zu Zeit kann es vorkommen das die rote Zone aufleuchtet)
  - Stellen Sie den Master Regler am Mischpult auf Maximale Lautstärke.
  - Betätigen Sie am Verstärker so lange die Lautstärkenregler(3), bis Sie die Lautstärke erreicht haben die Sie wollen.
  - Sorgen Sie dafür das niemand die Lautstärkenregler der Endstufe erreichen kann. Stellen Sie die Lautstärke auf Ihren persönlichen maximalen Pegel ein. Ihre Nachbarn werden froh darüber sein ...☺ (in den meisten fallen der DJ nicht...☹)
- Hinweis:** Im mono und Bridge Modus, dient nur der linke Lautstärkenregler am Verstärker zum adjustieren der Lautstärke.
- 4. Plastikabdeckung:** wenn Sie nicht wollen, dass dritte an dem Input-Pegel des Verstärkers etwas verändern, dann montieren Sie einfach die mitgelieferte Plastikabdeckung mit dem mitgelieferten Inbusschlüssel. Alles ist weiterhin sichtbar kann jedoch nicht mehr verändert werden.
- 5. SIGNAL-LEDS:** Diese LED's zeigen an, dass an den Eingängen ein Musiksingal anliegt.
- 6. LIMIT LEDS:** Schaltet sich ein, wenn die maximale Lautstärke erreicht ist und bevor das Signal zu verzerren beginnt. Sie zeigen an, dass sich der eingebaute Begrenzer einschaltet. Von Zeit zu Zeit kann es vorkommen dass die Limit Leds aufleuchten. Wenn Sie über einen längeren Zeitraum aufleuchten, drehen Sie die Lautstärke am Verstärker zurück!
- 7. AUDIO PROTECT LED:** Die Protektion LED leuchtet auf wenn die Lautsprecher vom Verstärker abgeklemmt sind. Dieser Schaden tritt aus folgenden Situationen auf:
  - Während der ersten Sekunden nach einschalten der Endstufe.
  - Wenn die Temperatur des Leistungsverstärkers zu hoch geworden ist.
  - In Folge eines technischen Defektes: Wechselstromschutz, Überspannung, Kurz-Schluss, ...

- Während des Ausschaltens des Verstärkers kann es vorkommen das die "protect led" für eine kurze Zeit aufleuchtet.
- Spannungsschutz LED:** leuchtet für 3 bis 4 Sekunden auf wenn der Verstärker eingeschaltet wird. Während des Betriebes leuchtet diese LED nur wenn ein Problem in der Spannungsversorgung festgestellt wird. In diesem Fall das Gerät ausschalten.
  - BETRIEBS-LEDS:** Diese LED's zeigen den Betriebsmodus an. Schalter (14) auf der Geräterückseite dient der Einstellung auf einen der 3 möglichen Modi:
    - **STEREO MODUS:** Das ist der herkömmlichste Modus, beide Kanäle arbeiten getrennt.
    - **MONO MODUS:** Dies ist im Grunde identisch mit dem Stereomodus, jedoch sind die Eingänge beider Kanäle zusammen geschaltet, so dass der Ausgang in Mono erfolgt. In diesem Fall benutzen Sie nur den Eingang des linken Kanals, um beide Ausgangskanäle zu betreiben.
    - **BRIDGE MODUS:** Beide Kanäle sind in „Bridge-modus“ verbunden, um einen Monoausgang mit höherer Leistung zu erreichen.
  - VENTILATOREN UND LÜFTUNGSÖFFNUNGEN:** Während des Betriebes erzeugt der Verstärker Hitze die abgeführt werden muss. Die Lüfter im Inneren des Verstärkers müssen in der Lage sein die Hitze am effektivsten abzuführen. Dafür ist es absolut wichtig die Lüftungsöffnungen nicht zu verdecken, da der Verstärker sonst überhitzt wird.

## FUNKTIONEN (RÜCKSEITE)



- XLR Eingänge:** Sie können diese symmetrischen Eingänge an symmetrische und unsymmetrische Audio Quellen anschließen (z.B. DJ Mixer):
  - **Symmetrischer Ausgang:** Verwenden Sie gute symmetrische XLR/XLR Audio Kabel. z.B: JB Systems 7-0061 (XLR/XLR L=1m) or 7-0063 (XLR/XLR L=5m)  
**Verkabelung der XLR Verbindung:** PIN1: GND PIN2: pos+ PIN3: neg-.
  - **Unsymmetrischer Ausgang:** Verwenden Sie gute Qualitäts XLR/Cinch Audio Kabel. Zum Beispiel: JB Systems 2-0445 (XLR/Cinch L=1.5m)
- SYMMETRISCHE AUSGÄNGE AN XLR:** Kann zum Senden des Signals an den nächsten Verstärker benutzt werden. Pin1: Betriebserde, Pin2: Signal+, Pin3: Signal -
- INPUT SENSITIVITY Schalter:** Mit diesem Schalter können Sie die Eingangsempfindlichkeit des Verstärkers perfekt abgleichen: 0,775V; 1,0V or 1,44V.
- OPERATION MODE Schalter:** Wird verwendet um die Betriebsart einzustellen. Am meisten üblich ist der "Stereo" Modus. Wenn Sie mehr Leistung benötigen, können Sie den Verstärker im Bridge oder Parallel Modus verwenden. Weitere Informationen unter Punkt 9 und "BEDIENUNGSHINWEISE".
- Tiefpass-Filter Schalter:** eliminiert alle niedrigen Frequenzen unter 75Hz. Kann genutzt werden wenn z.B. kleine Lautsprecher angeschlossen werden, welche zumeist niedrige Frequenzen nicht verarbeiten können.
- GROUND LIFT Schalter:** In manchen Fällen kann ein Rauschen auftreten. Schalten Sie den Ground Lift Schalter in die Position "Lift" und das Rauschen verschwindet.
- L+R SPEAKON AUSGÄNGE:** Verwenden Sie diese Speakon® Anschlüsse um Ihre Lautsprecher anzuschließen. Sie verkabeln die Verbindungen wie folgt:
  - POS(+) = Speakon Anschluss PIN1+ und PIN2+
  - NEG(-) = Speakon Anschluss PIN1- und PIN2-
- BRIDGE SPEAKON AUSGANG:** Mit diesem Speakon® Anschluss schließen Sie Ihren Lautsprecher in Bridge modus an. Weitere Informationen finden Sie unter Punkt 3 und 12. Die Belegung des Speakon® Anschlusses ist wie folgt:
  - POS(+) = Speakon Anschluss PIN1+ und PIN2+
  - NEG(-) = Speakon Anschluss PIN1- und PIN2-
- STROM Eingang:** Verwenden Sie das mitgelieferte Stromkabel um den Verstärker an das Stromnetz anzuschließen. Diese Verbindung verfügt auch über eine 20mm Glassicherung. Ersetzen Sie eine kaputte Sicherung immer durch genau die selbe die in das Gerät gehört. (Sicherungs Daten befinden sich auf der Rückseite des Verstärkers, nahe am Stromanschluss)

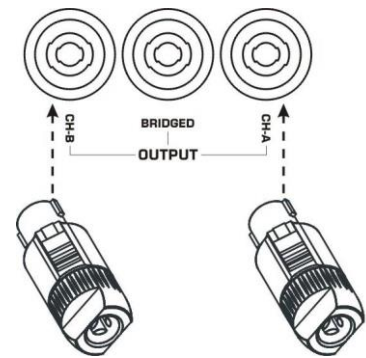


SPEAKON WIRE CONNECTION

## BEDIENUNGSHINWEISE

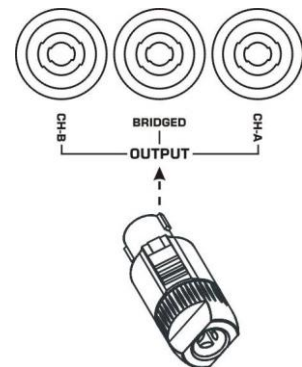
### STEREOBETRIEB:

- Schließen Sie das Audiosignal an den Eingängen (11/12) an.
- Stellen Sie den Betriebsmodussschalter (14) auf „Stereo“ ein.
- Schließen Sie die entsprechenden Lautsprecher an den L+R Speakon® Ausgängen (17) an.
- Vergewissern Sie sich, dass die Netzspannung 230V~ beträgt, bevor Sie den Stecker in die geerdete Steckdose stecken.
- Stellen Sie beide Lautstärkereger (3) auf Null.
- Vergewissern Sie sich, dass am Eingang ein Musiksignal anliegt.
- Schalten Sie den Verstärker ein (2).
- Regeln Sie die Lautstärkereger (3) auf das gewünschte Niveau.



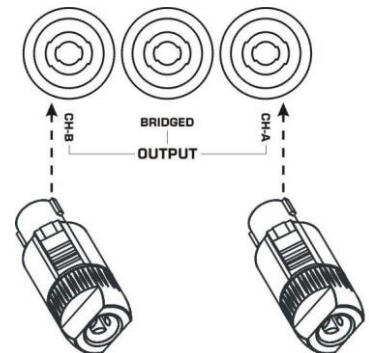
### BRIDGE MODUS BETRIEB:

- Schließen Sie das Audiosignal am linken Eingang (11/12) an.
- Stellen Sie den Betriebsmodussschalter (14) auf „Überbrückung“ ein.
- Schließen Sie den/die entsprechenden Lautsprecher an den Speakon® Überbrückungs-Ausgängen (18) an.
- Vergewissern Sie sich, dass die Netzspannung 230V~ beträgt, bevor Sie den Stecker in die geerdete Steckdose stecken.
- Stellen Sie beide Lautstärkereger (3) auf Null.
- Vergewissern Sie sich, dass am linken Eingang ein Musiksignal anliegt.
- Schalten Sie den Verstärker ein (2).
- Regeln Sie die linken Lautstärkereger (3) auf das gewünschte Niveau und lassen den rechten Lautstärkereger auf Null.



### MONOBETRIEB:

- Schließen Sie das Audiosignal am linken Eingang (11/12) an.
- Stellen Sie den Betriebsmodussschalter (14) auf „Mono“ ein.
- Schließen Sie die entsprechenden Lautsprecher an den L+R Speakon® Ausgängen (17) an.
- Vergewissern Sie sich, dass die Netzspannung 230V~ beträgt, bevor Sie den Stecker in die geerdete Steckdose stecken.
- Stellen Sie beide Lautstärkereger (3) auf Null.
- Vergewissern Sie sich, dass am Eingang ein Musiksignal anliegt.
- Schalten Sie den Verstärker ein (2).
- Regeln Sie die linken Lautstärkereger (3) auf das gewünschte Niveau und lassen den rechten Lautstärkereger auf Null.





## TECHNISCHE DATEN

Das Gerät ist funkentstört und erfüllt die Anforderungen der europäischen und nationalen Bestimmungen. Entsprechende Dokumentation liegt beim Hersteller vor.

	<b>AMP 100.2</b>	<b>AMP 200.2</b>	<b>AMP 400.2</b>
<b>Power stereo 4Ω:</b>	2x 130Wrms	2x 250Wrms	2x 450Wrms
<b>Power stereo 8Ω:</b>	2x 70Wrms	2x 130Wrms	2x 250Wrms
<b>Power bridge 8Ω:</b>	1x 260Wrms	1x 900Wrms	1x 900Wrms
<b>Peak limiters:</b>	ja	ja	ja
<b>THD+N (stereo 8Ω):</b>	<0,1%	<0,1%	<0,1%
<b>Frequenzbereich(+/-1dB):</b>	20-20.000Hz	20-20.000Hz	20-20.000Hz
<b>Eingangsempfindlichkeit:</b>	0,775V~1,0V~1,44V	0,775V~1,0V~1,44V	0,775V~1,0V~1,44V
<b>S/N ratio (A-weighted):</b>	>100dB	>100dB	>100dB
<b>Slew Rate:</b>	>20V/ms	>20V/ms	>20V/ms
<b>Gewicht:</b>	3,7kg	3,7kg	4kg
<b>Abmessungen:</b>	483x240x44 (19" / 1U)	483x240x44 (19" / 1U)	483x240x44 (19" / 1U)

**Technische Änderungen können auch ohne Vorankündigung vorgenommen werden!**  
 Sie können sich die neueste Version dieses Benutzerhandbuches von unserer Website  
 herunterladen: [www.jb-systems.eu](http://www.jb-systems.eu)

# MANUAL DE INSTRUCCIONES

Gracias por la compra de este producto JB Systems®. Para sacar todo el rendimiento de las posibilidades de este aparato y por su propia seguridad, por favor lea este manual de instrucciones con mucho cuidado antes de utilizar esta unidad.

## CARACTERÍSTICAS

- Amplificador profesional con 2 canales de alimentación
- Almacenaje extremadamente compacto de 19", altura de solo 1U (44 mm)
- Diseño ligero basado en el cambio del modo de suministro de energía de arranque suave
- 3 modos de amplificador: estéreo, mono y puente
- Eficiente refrigeración, mediante el uso de ventiladores con control de temperatura.
- El limitador de máximos previene la distorsión de la señal
- Intercambiable filtro de corte bajo 75Hz / -24dB
- Sensibilidad de entrada ajustable: 0.775V ~ 1.0V ~ 1.44V
- Interruptor de separación de tierra
- Una tapa de plástico (incluida) se puede instalar para evitar la alteración no autorizada del nivel de entrada.
- Fallo DC + temperatura alta + sobrecarga y protecciones de cortocircuito
- Entradas y salidas XLR equilibradas: Encadenamiento de varios amplificadores
- 3 salidas Speakon®: canales izquierdo + derecho + puente

## ANTES DEL USO

### Instrucciones importantes:

- Antes de utilizar esta unidad, por favor compruebe que no hay daños causados por el transporte. En caso contrario, no utilice este aparato y consulte a su vendedor.
- **Importante:** Este aparato salió de la empresa en perfecto estado y bien empaquetado. Es absolutamente necesario por parte del usuario seguir estrictamente las instrucciones de seguridad y advertencias de este manual. Cualquier daño causado por manejo inadecuado no estará sujeto a la garantía. El vendedor no aceptará responsabilidad por ningún defecto o problemas que resulten de ignorar este manual del usuario.
- Mantenga este folleto en un lugar seguro para consultas futuras. Si vende esta instalación, asegúrese de añadir este manual de usuario.
- Para proteger el medio ambiente, por favor intente reciclar el material de empaquetado tanto como sea posible.

### Verificar el contenido:

Verificar la presencia de las partes siguientes:

- Manual de instrucciones
- Amplificador de potencia
- Cable de alimentación.
- Tapa de plástico + 4 tornillos
- llave macho hexagonal

## PRECAUCIONES DE USO



**CAUTION**  
RISK OF ELECTRIC SHOCK  
DO NOT OPEN



**PRECAUCIÓN:** Para reducir el riesgo de electrocución, no quite la cubierta superior. Ninguna pieza usable adentro para el utilizador. Dirijase unicamente a personal cualificado.



El símbolo de un rayo en el interior de un triángulo alerta sobre la presencia o el uso de elementos no aislados donde un voltaje peligroso constituye un riesgo grande para causar una eventual electrocución.



El punto de exclamación en el interior de un triángulo alerta al usuario sobre la presencia de importantes instrucciones de operación y de mantenimiento tenidas en cuenta en el manual de uso.



Este símbolo significa : uso para el interior solamente.



Este símbolo significa : Lea las instrucciones.

- Afín de evitar todo riesgo de incendio o electrocución, no exponer el aparato a la lluvia o ambiente húmedo.
- Para evitar que se forme condensación en el interior, permita que la unidad se adapte a las temperaturas circundantes cuando la lleve a una habitación cálida después de transporte. La condensación algunas veces impide que la unidad funcione a rendimiento pleno o puede incluso causar daños.
- Esta unidad es sólo para uso interior.
- No coloque objetos metálicos o derrame líquidos dentro de la unidad. No colocar recipientes llenos de líquidos, como floreros, encima del aparato. Podría resultar descarga eléctrica o mal funcionamiento. Si un objeto extraño entrara en la unidad, desconecte inmediatamente la fuente de alimentación.
- No colocar fuentes de llamas, como velas, encima de la unidad.
- No cubra ninguna apertura de ventilación ya que esto podría resultar en sobrecalentamiento.
- Evite su uso en ambientes polvorientos y limpie la unidad regularmente.
- Mantenga la unidad alejada de los niños.
- Personas sin experiencia no deberían manejar este aparato.
- La temperatura máxima de ambiente es 40°C. No use esta unidad a temperaturas más elevadas.
- Las distancias mínimas alrededor del aparato para la suficiente ventilación son los 3cm.
- Siempre desenchufe la unidad cuando no la use por un periodo de tiempo largo o antes de cambiar la bombilla o comenzar una reparación.
- La instalación eléctrica debería ser llevada a cabo sólo por personal cualificado, acorde a las regulaciones para seguridad eléctrica y mecánica de su país.
- Compruebe que el voltaje disponible no es superior al que aparece en el panel trasero de la unidad.
- Enchufe siempre accesible para desconectar la alimentación.
- El cable de alimentación debería estar siempre en perfectas condiciones: apague el aparato inmediatamente cuando el cable de alimentación esté roto o dañado. Debe ser substituido por el fabricante, su servicio técnico o otra persona cualificada.
- ¡Nunca deje el cable de alimentación entrar en contacto con otros cables!
- ¡Cuando el interruptor está en la posición de reposo, esta unidad no se desconecta totalmente de la alimentación!
- Esta instalación debe ser conectada a tierra para cumplir con las regulaciones de seguridad.
- Para prevenir descargas eléctricas, no abra la tapa. Aparte de fusibles principales no hay partes que puedan ser reparadas por el usuario en su interior.
- **Nunca** repare un fusible o haga un bypass al fusible. ¡**Siempre** sustituya el fusible dañado por un fusible del mismo tipo y especificaciones eléctricas!
- En el caso de problemas serios de manejo, deje de usar la instalación y contacte con su vendedor inmediatamente.
- Por favor, use el empaquetado original cuando el aparato deba ser transportado.
- Debido a motivos de seguridad está prohibido hacer modificaciones sin autorizar a la unidad.

### CONSEJOS DE INSTALACION:

- Instalar el aparato en un sitio con buena ventilación para no exponerla a altas temperaturas o humedad.
- No colocar y utilizar el aparato mucho tiempo en sitios calientes (al lado de amplificadores, focos,...) puede afectar sus prestaciones.

- El aparato puede ser colocado en un rack de 19". Fijar el aparato gracias a los 4 agujeros para tornillos del panel frontal. Asegurarse de la dimension correcta de los tornillos (no provistos). Evitar las vibraciones y los golpes durante el transporte.
- Para evitar la condensación en el aparato, dejarlo adaptarse a la nueva temperatura despues del transporte. La condensación puede alterar las prestaciones de este aparato.

## LIMPIEZA:

Limpie el aparato con un trapo suave y un poco húmedo. No deje caer agua en el interior del aparato. No utilice productos volátiles como la gasolina o petroleos que pueden estropear el aparato. Limpie regularmente los orificios de ventilación con un aspirador para aumentar la capacidad de enfriamiento de los ventiladores y para evitar un sobrecalentamiento del amplificador.

## CONEXIONES

Apague el aparato antes de efectuar algun cambio en los cables. Utilice cables de señal de buena calidad para asegurar una calidad audio excelente. Por ejemplo los cables JB con código: 7-0061 (XLR/XLR L=1m) o 7-0063 (XLR/XLR L=5m). Para los altavoces os recomendamos las salidas compatibles Speakon®. Los cables adecuados son por ejemplo los JB con código2-0505 (L=5m) o 2-0510 (L=10m).

## FUNCIONES (PANEL FRONTAL)

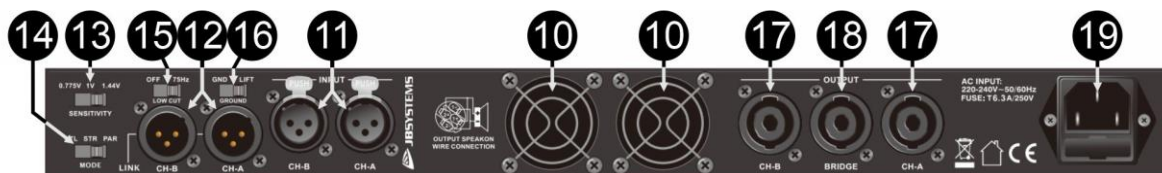


1. **POWER LED:** El led se ilumina cuando enciende el amplificador con el interruptor (2).
2. **MAINS SWITCH:** se utiliza para encender o apagar el amplificador. El amplificador se puede utilizar unos segundos despues.
3. **CONTROLES DE GAIN:** éstos potenciometros se utilizan para controlar la sensibilidad de entrada del amplificador. Se puede controlar cada canal separadamente.  
Puede utilizar éstos potenciometros para ajustar el nivel sonoro máximo de su instalación:
  - Gire los dos potenciometros de su amplificador hacia la izquierda (3).
  - Ponga música y averigüe si los VUmetros de su mesa de mezcla están a 0dB (la zona roja se ilumina de vez en cuando)
  - Ajuste el nivel de salida principal de su mesa de mezcla (Master) al máximo.
  - Encienda los potenciometros de Gain del amplificador (3) hasta que tenga el nivel sonoro deseado.
  - Asegurese de que nadie pueda tocar los potenciometros de Gain de su amplificador.
 Acaba de ajustar el nivel máximo que puede producir el DJ. Sus vecinos estarán contentos...☺ (en algunos casos el DJ no lo será ☹)
 

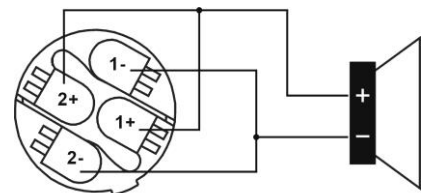
**Nota:** En modo Mono y Bridge sólo el controlador del canal izquierdo es utilizado para ajustar la sensibilidad de entrada.
4. **TAPA DE PLÁSTICO:** si no quieren que la gente modifique el nivel de entrada del amplificador, sólo tiene que instalar la tapa de plástico que se incluye mediante el llave macho hexagonal suministrado. Todos los indicadores continuan visibles, pero el nivel de entrada no se puede cambiar.
5. **LED DE SEÑAL:** Estos LED indican que hay señal de música en las entradas.
6. **LIMIT LEDs:** Se ilumina justo antes del nivel de salida máximo sin distorsión del amplificador. Indican que el limitador interno empieza a funcionar. Los "Limit leds" pueden iluminarse brevemente de vez en cuando pero nunca pueden quedar iluminados durante largos plazos. En éste caso tiene que disminuir el nivel de salida!
7. **AUDIO PROTECT LED:** el LED de protección se ilumina cuando los altavoces están desconectados del amplificador. Esto puede producirse en los casos siguientes:
  - Durante el primer segundo tras haber encendido el amplificador.
  - Cuando la temperatura del modulo de amplificación final está muy alta.
  - En caso de avería técnica: protección DC, Sobrecarga, cortocircuito, ...
  - Cuando apaga el amplificador el "protect led" se ilumina durante un breve momento.

8. **POWER PROTECT LED:** se ilumina durante 3 a 4 segundos después de encender el amplificador, esto es normal. Durante el funcionamiento normal si este LED se ilumina es que se detecta un problema en la fuente de alimentación del amplificador. Cuando esto ocurre, por favor apague el amplificador.
9. **LEDS OPERATION MODE:** Estos LED indican el modo de funcionamiento. El interruptor (14) del panel trasero sirve para seleccionar uno de estos 3 modos:
  - **STEREO MODE:** Es el modo más habitual, con ambos canales funcionando por separado.
  - **MONO MODE:** Es fundamentalmente idéntico al modo estéreo, pero las entradas de ambos canales están unidas, de modo que la salida será en mono. En este caso sólo tendrá que usar la entrada del canal izquierdo para llevar ambos canales de salida.
  - **BRIDGE MODE:** Ambos canales están unidos en “modo puente” para obtener una salida mono con una potencia superior.
10. **VENTILACION:** Durante su funcionamiento el amplificador produce calor. Los ventiladores en el interior del amplificador tienen que poder evacuarlo lo mejor posible. Por eso es muy importante no tapan el orificio de ventilación ya que ésto puede provocar un sobrecalentamiento. Limpie las ranuras de ventilación con regularidad mediante una aspiradora. Esto aumenta la capacidad de refrigeración de los ventiladores del amplificador y ayuda a prevenir el sobrecalentamiento.

## FUNCIONES (PARTE TRASERA)



11. **ENTRADAS XLR:** puede conectar éstas entradas simétricas a fuentes audio de tipo line simétricas o asimétricas (por ejemplo: mesa de mezcla DJ):
  - **fuentes simetrica:** utilice cables audio XLR/XLR.  
Por ejemplo: JB Systems 7-0061 (XLR/XLR L=1m) ou 7-0063 (XLR/XLR L=5m)  
**Conexión de los conectores XLR:** PIN1: GND PIN2: pos+ PIN3: neg -.
  - **fuentes no asimetrica:** utilice cables audio XLR/cinch de buena calidad.  
Por ejemplo: JB Systems 2-0445 (XLR/cinch L=1.5m)
12. **SALIDAS BALANCEADAS en XLR:** Se puede utilizar para enviar la señal a la siguiente etapa de potencia. Pin1: señal de tierra, Pin2: señal +, Pin3: señal -
13. **INPUT SENSITIVITY switch:** con éste selector puede ajustar perfectamente la sensibilidad de entrada del amplificador: 0,775V; 1,0V or 1,44V.
14. **Interruptor OPERATION MODE:** Sirve para establecer el modo de funcionamiento del amplificador. El modo de funcionamiento más habitual es “estéreo”. Si necesita más potencia, puede usar el amplificador en modo puente. Consulte también el punto 9 + “MODO DE USO” para más información.
15. **FILTRO DE CORTE DE ENCENDIDO:** elimina las frecuencias inferiores a 75Hz. Se puede usar cuando se conectan altavoces pequeños, estos o no son siempre compatibles con frecuencias muy bajas.
16. **Interruptor GROUND LIFT:** En algunos casos puede que oiga un zumbido debido a un bucle de masa de su instalación. Ponga el interruptor Ground Lift sobre "lift" para eliminar este bucle entre la etapa y la masa del chasis de los otros componentes de su instalación. Gracias a ésto el ruido se marchará.
17. **SALIDAS SPEAKON L+R:** utilice éstos conectores Speakon® para enchufar sus altavoces in modo estéreo o mono. La conexión de estos conectores es éste:
  - POS(+) = Conector Speakon PIN1+ y PIN2+
  - NEG(-) = Conector Speakon PIN1- y PIN2-
18. **SALIDA SPEAKON BRIDGE:** use este conector Speakon® para conectar su altavoz en modo puente. Consulte los puntos 3 y 12 para más información. El cableado de este conector es el siguiente:
  - POS(+) = Conector Speakon PIN1+ y PIN2+
  - NEG(-) = Conector Speakon PIN1- y PIN2-
19. **POWER input:** Utilice el cable de alimentación para unir el amplificador a la fuente. Este conector también tiene un fusible de vidrio de 20mm. Sólo se puede substituir por otro del mismo tipo y del mismo valor. (las características se encuentran sobre el panel trasero, cerca del conector de alimentación)

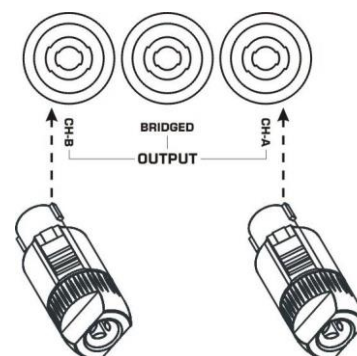


SPEAKON WIRE CONNECTION

# MODO DE USO

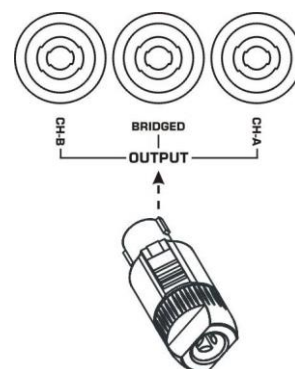
## FUNCIONAMIENTO ESTÉREO:

- Conecte la señal audio a las entradas (11/12)
- Ponga el interruptor de modo de funcionamiento (14) en "estéreo"
- Conecte los altavoces correspondientes a las salidas Speakon® L+R (17)
- Asegúrese de que la potencia sea de 230Vca antes de conectar el cable de potencia a la rez con toma de tierra.
- Ponga los dos gains (3) a cero
- Asegúrese de que haya señal de música en la entrada
- Encienda el amplificador (2)
- Ajuste el gain de entrada (3) al volumen deseado



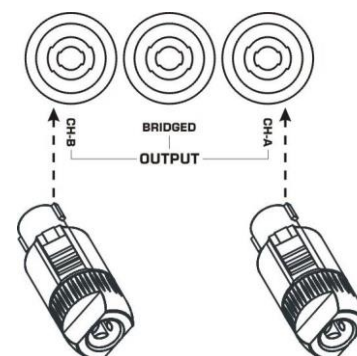
## FUNCIONAMIENTO EN PUENTE:

- Conecte la señal audio a la entrada izquierda (11/12)
- Ponga el interruptor de modo de funcionamiento (14) en "puente"
- Conecte el/los altavoz/ces correspondiente/s a la salida Speakon® de puente (18)
- Asegúrese de que la potencia sea de 230Vca antes de conectar el cable de potencia a la rez con toma de tierra
- Ponga los dos gains (3) a cero
- Asegúrese de que haya señal de música en la entrada izquierda
- Encienda el amplificador (2)
- Ajuste el gain de la entrada izquierda (3) al volumen deseado, deje el canal derecho a cero.



## FUNCIONAMIENTO MONO:

- Conecte la señal audio a la entrada del canal izquierdo (11/12)
- Establezca el interruptor de modo de funcionamiento (14) en "mono"
- Conecte los altavoces correspondientes a las entradas Speakon® L+R (17)
- Asegúrese de que la potencia sea de 230Vca antes de conectar el cable de potencia a la rez con toma de tierra
- Ponga los dos gains (3) a cero
- Asegúrese de que haya señal de música en la entrada
- Encienda el amplificador (2)
- Ajuste el gain de la entrada izquierda (3) al nivel deseado, deje el canal derecho a cero.



## CARACTERISTICAS TECNICAS

Esta unidad no interfiere con señales de radio. Este producto cumple las exigencias de las directrices actuales Europeas y nacionales. Se ha establecido conformidad y las declaraciones y documentos relevantes se han depositado por el fabricante.

	<b>AMP 100.2</b>	<b>AMP 200.2</b>	<b>AMP 400.2</b>
<b>Power stereo 4Ω:</b>	2x 130Wrms	2x 250Wrms	2x 450Wrms
<b>Power stereo 8Ω:</b>	2x 70Wrms	2x 130Wrms	2x 250Wrms
<b>Power bridge 8Ω:</b>	1x 260Wrms	1x 500Wrms	1x 900Wrms
<b>Peak limiters:</b>	si	si	si
<b>THD+N (stereo 8Ω):</b>	<0,1%	<0,1%	<0,1%
<b>Freq. Response (+/-1dB):</b>	20-20.000Hz	20-20.000Hz	20-20.000Hz
<b>Input sensitivity:</b>	0,775V~1,0V~1,44V	0,775V~1,0V~1,44V	0,775V~1,0V~1,44V
<b>S/N ratio (A-weighted):</b>	>100dB	>100dB	>100dB
<b>Slew Rate:</b>	>20V/ms	>20V/ms	>20V/ms
<b>Peso:</b>	3,7kg	3,7kg	4kg
<b>Dimensiones:</b>	483x240x44 (19" / 1U)	483x240x44 (19" / 1U)	483x240x44 (19" / 1U)

Toda la información está sujeta a cambios sin previo aviso  
 Puede descargar la última versión de este manual de usuario en nuestro sitio web:

[www.jb-systems.eu](http://www.jb-systems.eu)

# MANUAL DO UTILIZADOR

Parabéns e obrigado por ter adquirido este produto JB SYSTEMS®. Por favor leia atentamente este manual do utilizador de forma a saber como utilizar esta unidade correctamente. Após ler este manual, guarde-o num lugar seguro de forma a poder consultá-lo no futuro.

## CARACTERÍSTICAS

- Amplificador de potência profissional de 2 canais
- Estrutura extremamente compacta de 19", com altura de apenas 1U (44mm)
- De peso leve, design baseado em fonte de alimentação comutável de início suave,
- 3 modos de funcionamento: estéreo, mono e bridge (ponte)
- Arrefecimento muito eficiente através de ventoinhas controladas por temperatura
- Limitador de pico evita distorção de sinal
- Filtro de corte baixo seleccionável 75Hz / -24dB
- Sensibilidade de entrada ajustável: 0,775V ~ 1,0V ~ 1,44V
- Interruptor Ground Lift
- Uma cobertura plástica (incluída) pode ser instalada para prevenir alterações de volume não autorizadas.
- Protecções contra falha DC + altas temperaturas + sobrecarga e curto-circuito
- Entradas & saídas XLR balanceada: ligação do sinal de entrada para vários amplificadores
- 3 Saídas Speakon: canal esquerdo + direito + bridge

## ANTES DE UTILIZAR

- Antes de utilizar esta unidade verifique se existem danos provocados durante o transporte. Caso existam danos aparentes, não utilize a unidade e contacte o seu revendedor.
- **Importante:** Esta unidade deixou a nossa fábrica em perfeitas condições e devidamente embalada. É imprescindível que o utilizador siga as instruções de segurança e avisos descritos neste manual. Quaisquer danos provocados por utilização incorrecta não serão cobertos pela garantia. O revendedor não será responsável por quaisquer danos ou problemas causados pelo incumprimento das instruções deste manual.
- Guarde este manual num local seguro para consulta futura. Caso venda esta unidade, forneça este manual.
- Proteja o ambiente. Recicle o material desta embalagem.

### Verifique o conteúdo:

Certifique-se que a caixa contém os seguintes artigos:

- Manual do utilizador
- Amplificador
- Cabo de alimentação
- Tampa plástica + 4 parafusos
- Chave allen

## INSTRUÇÕES DE SEGURANÇA:



**ATENÇÃO:** De forma a evitar o risco de choque eléctrico, não remova peças da unidade. Não tente fazer reparações. Contacte pessoal qualificado

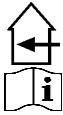


O símbolo composto por um triângulo equilátero com um relâmpago no interior alerta para a presença de voltagem perigosa não isolada no interior do produto que poderá constituir risco de choque eléctrico.



O símbolo composto por um triângulo equilátero com um ponto de exclamação alerta o utilizador para a presença de instruções importantes de utilização e manutenção do produto.





Este símbolo significa: utilização unicamente em espaços fechados



Este símbolo significa: Leia instruções

- De modo a evitar risco de fogo ou choque eléctrico, não exponha este produto a chuva ou humidade.
- De forma a evitar a formação de condensação no interior da unidade, ao transportá-la para ambiente quente aguarde algum tempo de modo a que haja uma ambientação à temperatura. A condensação poderá afectar o desempenho da unidade ou até danificá-la.
- Esta unidade destina-se unicamente a utilização em espaços fechados.
- Não introduza objectos de metal nem verta líquidos no interior do produto, correrá risco de choque eléctrico ou poderá danificar o produto. Caso algum objecto estranho entre em contacto com o interior da unidade, desligue-a de imediato da corrente.
- Não coloque chamas descobertas (tais como velas acesas) sobre a unidade.
- Não cubra os orifícios de ventilação ou a unidade poderá sobreaquecer.
- Evite locais com poeiras. Limpe a unidade regularmente.
- Mantenha esta unidade fora do alcance das crianças.
- Esta unidade deverá ser operada unicamente por pessoas experientes.
- Temperatura ambiente de funcionamento máxima é de 40°C. Não utilize esta unidade a temperaturas ambientes mais elevadas.
- As distâncias mínimas para a ventilação suficiente são 3cm.
- Desligue sempre a unidade da corrente quando não a utilizar durante longos períodos de tempo ou antes de efectuar manutenção.
- A instalação eléctrica deve ser efectuada unicamente por pessoal qualificado, cumprindo os regulamentos de segurança em instalações eléctricas e mecânicas do seu país.
- Certifique-se que a voltagem a utilizar não é superior à voltagem indicada no painel traseiro da unidade.
- A tomada de corrente deverá permanecer acessível para que a unidade possa ser desligada da corrente.
- O cabo de alimentação deverá estar sempre em perfeitas condições. Desligue a unidade e substitua imediatamente o cabo caso este apresente algum dano. Deverá ser substituído pelo fabricante, pelo agente autorizado ou pessoal qualificado de modo a evitar um acidente.
- Nunca permita que este cabo entre em contacto com outros cabos!
- Quando o interruptor de potência está na posição de repouso, esta unidade não está desconectada completamente da alimentação principal!
- Este dispositivo deve ser ligado à terra em ordem a cumprir com os regulamentos de segurança.
- De forma a não correr risco de choque eléctrico não abra a cobertura da unidade. À excepção do fusível, não existem peças que possam ser substituídas pelo utilizador.
- **Nunca** repare um fusível nem tente operar a unidade sem fusível. Substitua **sempre** um fusível danificado por outro com as mesmas características!
- Em caso de problemas sérios de funcionamento, interrompa a utilização da unidade e contacte imediatamente o seu revendedor.
- Caso seja necessário transportar a unidade utilize a embalagem original.
- Por motivos de segurança, são proibidas quaisquer alterações não autorizadas à unidade.

## GUIA DE INSTALAÇÃO:

- Instale a unidade num local bem ventilado onde não exista exposição a altas temperaturas ou humidade.
- Colocar ou utilizar a unidade durante longos períodos de tempo perto de fontes de calor, tais como amplificadores, holofotes, etc., irá afectar o desempenho da unidade e poderá até danificá-la.
- Com adaptadores opcionais de 19" (informações adicionais mais adiante neste manual), esta unidade pode ser montada em racks de 19". Fixe a unidade utilizando os 4 orifícios do painel frontal. Certifique-se que utiliza parafusos com a medida certa (os parafusos não são fornecidos). Evite pancadas e vibrações durante o transporte.
- Quando colocar a unidade numa cabine ou numa mala, certifique-se que há ventilação de modo a permitir a evacuação do calor produzido pela unidade.
- De forma a evitar a formação de condensação no interior da unidade, ao transportá-la para ambiente quente aguarde algum tempo de modo a que haja uma ambientação à temperatura. A condensação poderá afectar o desempenho da unidade.

## LIMPEZA DA MESA DE MISTURA:

Utilize um pano limpo ligeiramente humedecido em água. Evite introduzir água dentro da unidade. Não utilize líquidos voláteis como benzeno ou diluente, irá danificar a unidade. Limpe os orifícios de ventilação regularmente com um aspirador. Isto aumenta a capacidade de arrefecimento das ventoinhas do amplificador e permite evitar o sobreaquecimento.

## LIGAÇÕES

Certifique-se que desliga a unidade antes de efectuar alterações nas ligações. Utilize cabos de sinal de boa qualidade para garantir uma excelente qualidade áudio. Por exemplo use cabos JB com os códigos: 7-0061 (XLR/XLR C=1m) ou 7-0063 (XLR/XLR C=5m). Para as colunas sugerimos usar as saídas compatíveis Speakon®. Os cabos adequados são por exemplo: 2-0505 (C=5m) ou 2-0510 (C=10m).

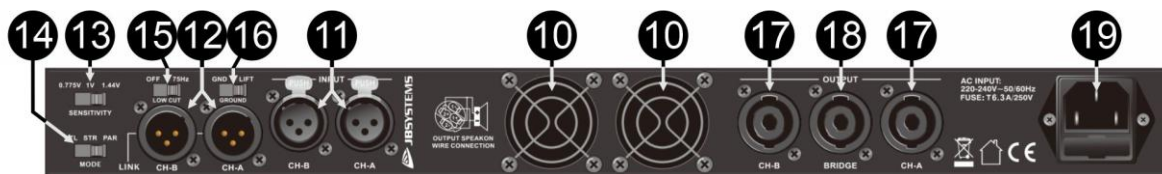
## CONTROLOS E FUNÇÕES



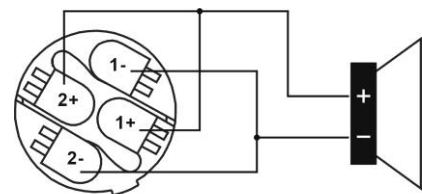
1. **LED POTÊNCIA:** Este led branco está aceso quando liga o amplificador através do interruptor (2).
2. **INTERRUPTOR ENERGIA:** Usado para ligar / desligar o amplificador. Alguns segundos após ligar o amplificador este estará pronto a funcionar.
3. **CONTROLOS DE GANHO:** Estes potenciômetros permitem controlar a sensibilidade do amplificador. Cada canal tem o seu controlo próprio. Pode utilizar estes controlos para definir o nível máximo de som da sua instalação:
  - Gire ambos os controlos (3) no amplificador para a esquerda.
  - Reproduza alguma música e certifique-se que os indicadores VU na sua mesa de mistura se encontram a 0dB. (De tempos a tempos a zona vermelha acende-se)
  - Coloque a saída Master da sua mesa de mistura no nível máximo.
  - Abra os controlos de ganho do amplificador até que o nível máximo de som desejado seja alcançado.
  - Certifique-se que ninguém consegue aceder aos controlos de ganho do amplificador.
 Acabou de definir o nível máximo de som que o DJ poderá produzir. Os seus vizinhos ficarão agradecidos...☺ (em alguns casos o DJ nem por isso ☹)
- Nota:** Nos modos Mono e Bridge, apenas o controlo de ganho do canal esquerdo é utilizado para ajustar a sensibilidade de entrada.
4. **TAMPA PLÁSTICA:** Se não quer que as pessoas andem a mexer no nível de entrada do amplificador, simplesmente instale a tampa plástica fornecida usando o chave Allen fornecida. Todos os indicadores ficam visíveis mas não podem ser alterados.
5. **LEDS SIGNAL:** Estes LEDs indicam que um sinal musical está presente nas entradas.
6. **LEDS LIMIT:** Ligam-se antes do nível máximo, sem distorção, da saída do amplificador. Indicam que o limitador interno começa a trabalhar. Os LEDs "Limit" podem ligar-se por breves momentos de tempos a tempos mas não poderão ligar-se por longos períodos. Neste caso terá de baixar o nível de saída!
7. **LED AUDIO PROTECT:** O LED de protecção está ligado quando as colunas estão desligadas do amplificador. Isto ocorre nas seguintes situações:
  - Durante os primeiros segundos após ligar o amplificador.
  - Quando a temperatura do aparelho se tornar demasiado alta.
  - Em caso de defeito técnico: Protecção DC, sobrecarga, curto-circuito, ...
  - Ao desligar o amplificador, o led "protect" liga-se por breves momentos.
8. **POWER PROTECT LED:** Está aceso por 3 ou 4 segundos após ligar o amplificador, isto é normal. Durante a utilização este LED irá acender quando um problema é detectado na fonte de alimentação do amplificador. Quando isto ocorre, por favor desligue o amplificador e dirija-se ao seu fornecedor.
9. **LEDS DE MODO DE OPERAÇÃO:** Estes leds indicam o modo de operação. O Interruptor (14) no painel traseiro é usado para escolher um desses 3 modos possíveis:

- **MODO ESTÉREO:** Este é o modo mais comum, ambos os canais estão a trabalhar individualmente.
  - **MODO MONO:** Basicamente é idêntico ao modo estéreo mas as entradas de ambos os canais estão unidas portanto a saída será mono. Neste caso precisa apenas de usar a entrada do canal esquerdo para utilizar a saída dos dois canais.
  - **MODO BRIDGE:** Apenas o LED do canal esquerdo está aceso. Ambos os canais estão ligados em “modo bridge” para obter uma saída mono com potência muito mais elevada.
10. **ORIFÍCIOS DE VENTILAÇÃO:** Durante o funcionamento é produzido calor que deve ser dissipado. As ventoinhas no interior do amplificador têm de poder evacuar o calor da maneira mais eficiente. Portanto, de modo a evitar o sobreaquecimento, é muito importante que não cubra os orifícios de ventilação. Limpe os orifícios de ventilação regularmente com um aspirador. Isto aumenta a capacidade de arrefecimento das ventoinhas do amplificador e permite evitar o sobreaquecimento.

## CONTROLOS E FUNÇÕES (Traseira)



11. **Entradas XLR:** Pode conectar estas entradas balanceadas a origens de sinal áudio de linha balanceada e não balanceada (exemplo: Mesa mistura DJ)
- **Origem balanceada:** Use cabos áudio balanceados de boa qualidade XLR/XLR  
Exemplo: JB Systems 7-0061 (XLR/XLR C=1m) ou 7-0063 (XLR/XLR C=5m)  
**Ligação do conector XLR:** PIN0 1: TERRA PIN0 2: pos+ PIN3: neg-.
  - **Origem sem balanço:** Use cabos áudio XLR/rca de boa qualidade.  
Exemplo: JB Systems 2-0445 (XLR/rca C=1.5m)
12. **SAÍDAS BALANCEADAS através de XLR:** Pode ser usado para enviar sinal para o próximo amplificador. Pino 1: sinal Terra, Pino 2: sinal +, Pino 3: sinal -
13. **Interruptor INPUT SENSITIVITY:** Com este selector pode adaptar facilmente a sensibilidade de entrada do amplificador: 0,775V; 1,0V or 1,44V.
14. **Interruptor OPERATION MODE:** Permite definir o modo de funcionamento do amplificador. O modo mais comum é o estéreo. Se necessitar de mais potência pode utilizar o amplificador em modo bridge. Para mais informações consulte o ponto + “COMO UTILIZAR”.
15. **Interruptor LOW CUT FILTER:** elimina as baixas frequências abaixo dos 75Hz. Pode ser usado quando são ligadas colunas pequenas, geralmente estas colunas não suportam muitas frequências baixas.
16. **Interruptor GROUND LIFT:** Em certos casos podem surgir alguns ruídos desagradáveis devido a electricidade estática na instalação. Colocar o interruptor ground lift na posição “lift” quebra a electricidade estática entre o amplificador e os vários componentes na instalação e elimina o ruído.
17. **SAÍDAS SPEAKON E+D:** Use estes conectores Speakon® para conectar as suas colunas em modo mono ou estéreo. As ligações são da seguinte forma:
- POS(+) = Conector Speakon PIN1+ e PIN2+
  - NEG(-) = Conector Speakon PIN1- e PIN2-
18. **SAÍDA SPEAKON BRIDGE:** Utilize este conector Speakon® para conectar a sua coluna em modo bridge. Consulte o ponto 3 e 12 para mais informação.  
As ligações são da seguinte forma:
- POS(+) = Conector Speakon PIN1+ e PIN2+
  - NEG(-) = Conector Speakon PIN1- e PIN2-
19. **Entrada de potência:** Use o cabo de alimentação fornecido para conectar o amplificador á corrente. Este conector também suporta um fusível de vidro de 20mm. Substitua sempre um fusível rebentado por outro com exactamente as mesmas especificações (especificações do fusível podem ser encontradas no painel traseiro, junto á entrada de alimentação).

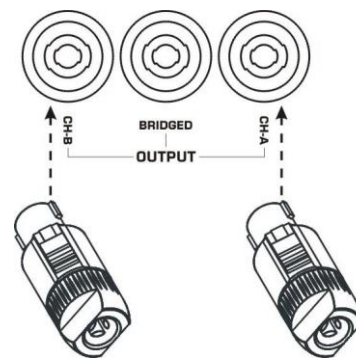


SPEAKON WIRE CONNECTION

## COMO UTILIZAR

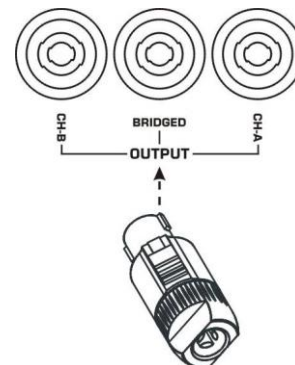
### OPERAÇÃO EM ESTÉREO:

- Conecte o sinal áudio às entradas (11/12)
- Coloque o interruptor de modo de operação (14) para “stereo”
- Conecte as respectivas colunas às saídas Speakon E+D (17)
- Verifique se a voltagem corresponde a 230Vac antes de conectar o cabo á tomada de corrente (com terra)
- Coloque os controlos de ganho (3) a zero
- Verifique se existe um sinal musical nas entradas.
- Ligue o amplificador (2)
- Ajuste os ganhos de entrada (3) para o nível desejado



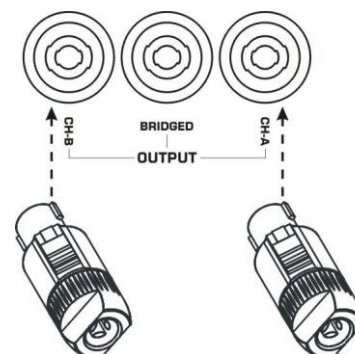
### OPERAÇÃO EM BRIDGE:

- Conecte o sinal áudio á entrada do canal esquerdo (11/12)
- Coloque o interruptor de modo de operação (14) para “bridge”
- Conecte a(s) respectiva(s) coluna(s) á saída Speakon® Bridge (18)
- Verifique se a voltagem corresponde a 230Vac antes de conectar o cabo á tomada de corrente (com terra)
- Coloque os controlos de ganho (3) a zero
- Verifique se existe um sinal musical na entrada esquerda
- Ligue o amplificador (2)
- Ajuste o ganho da entrada esquerda (3) para o nível desejado, deixe o ganho do canal direito a zero



### OPERAÇÃO EM MONO:

- Conecte o sinal áudio á entrada do canal esquerdo (11/12)
- Coloque o interruptor de modo de operação (14) para “mono”
- Conecte as respectivas colunas às saídas Speakon® E+D (17)
- Verifique se a voltagem corresponde a 230Vac antes de conectar o cabo á tomada de corrente (com terra)
- Coloque os controlos de ganho (3) a zero
- Verifique se existe um sinal musical na entrada
- Ligue o amplificador (2)
- Ajuste o ganho da entrada esquerda (3) para o nível desejado, deixe o ganho do canal direito a zero



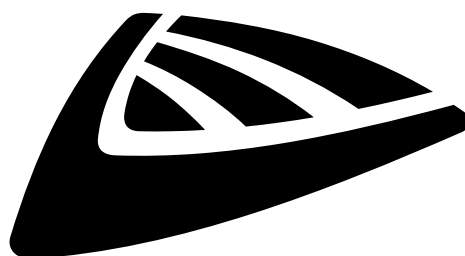
## ESPECIFICAÇÕES

Esta unidade está protegida contra interferências rádio. Este produto cumpre as exigências impostas pelas presentes directivas nacionais e europeias. A conformidade deste produto foi comprovada e as declarações e documentos relevantes foram efectuados pelo fabricante.

	AMP 100.2	AMP 200.2	AMP 400.2
<b>Potência estéreo 4Ω:</b>	2x 130Wrms	2x 250Wrms	2x 450Wrms
<b>Potência estéreo 8Ω:</b>	2x 70Wrms	2x 130Wrms	2x 250Wrms
<b>Potência bridge 8Ω:</b>	1x 260Wrms	1x 500Wrms	1x 900Wrms
<b>Limitadores de Pico:</b>	Sim	Sim	Sim
<b>THD+N (estéreo 8Ω):</b>	<0,1%	<0,1%	<0,1%
<b>Resposta Freq. (+/-1dB):</b>	20-20.000Hz	20-20.000Hz	20-20.000Hz
<b>Sensibilidade entrada:</b>	0,775V~1,0V~1,44V	0,775V~1,0V~1,44V	0,775V~1,0V~1,44V
<b>Raço S/R:</b>	>100dB	>100dB	>100dB
<b>Taxa de variação:</b>	>20V/ms	>20V/ms	>20V/ms
<b>Peso:</b>	3,7kg	3,7kg	4kg
<b>Dimensões:</b>	483x240x44 (19" / 1U)	483x240x44 (19" / 1U)	483x240x44 (19" / 1U)

Estas informações estão sujeitas a alterações sem aviso prévio

Pode fazer download da versão mais recente deste manual no nosso site: [www.jb-systems.eu](http://www.jb-systems.eu)



**JB SYSTEMS**

## **MAILING LIST**

**EN: Subscribe today to our mailing list for the latest product news!**

**FR: Inscrivez-vous à notre liste de distribution si vous souhaitez suivre l'actualité de nos produits!**

**NL: Abonneer je vandaag nog op onze mailinglijst en ontvang ons laatste product nieuws!**

**DE: Abonnieren Sie unseren Newsletter und erhalten Sie aktuelle Produktinformationen!**

**ES: Suscríbete hoy a nuestra lista de correo para recibir las últimas noticias!**

**PT: Inscreva-se hoje na nossa mailing list para estar a par das últimas notícias!**

**[WWW.JB-SYSTEMS.EU](http://WWW.JB-SYSTEMS.EU)**

**Copyright © 2022 by BEGLEC NV**

t Hofveld 2C ~ B1702 Groot-Bijgaarden ~ Belgium

Reproduction or publication of the content in any manner, without express permission of the publisher, is prohibited.