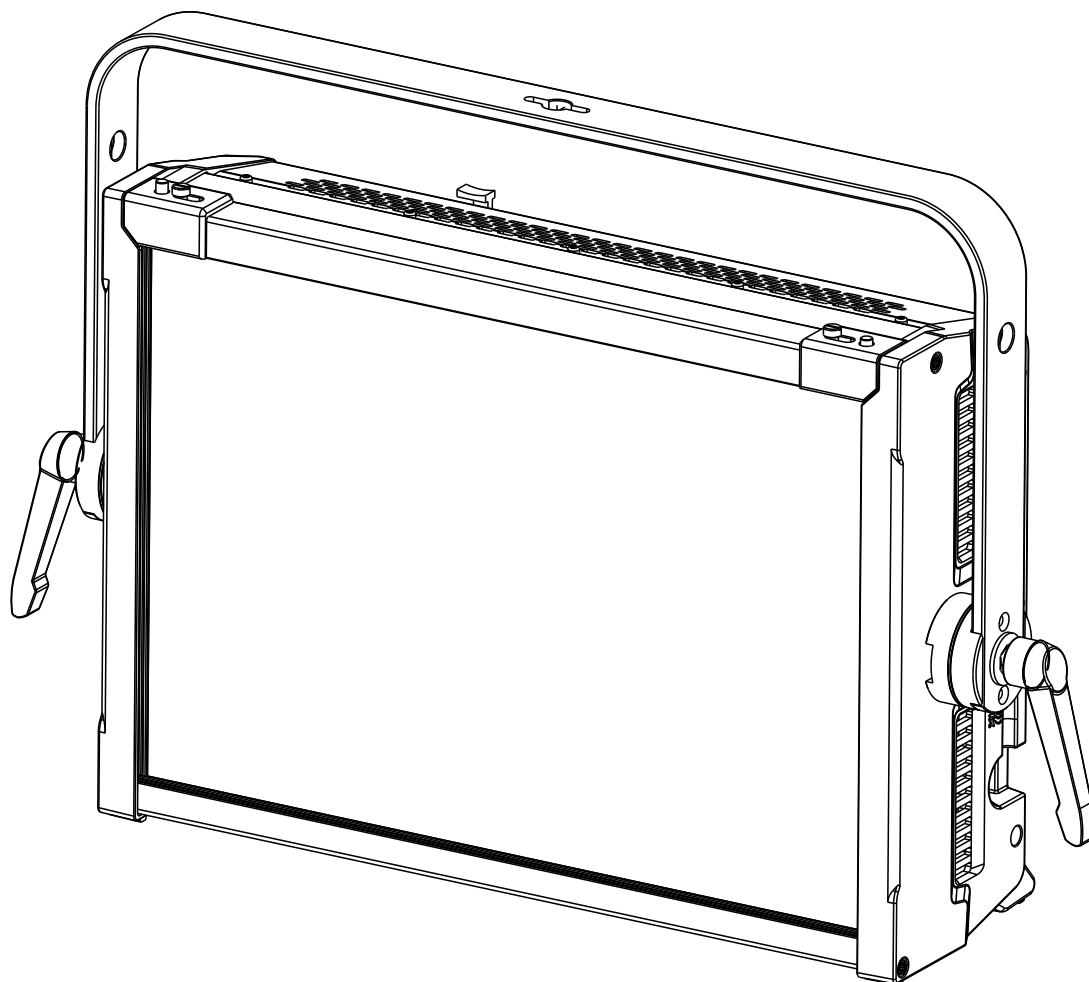


BT-TVPANEL TW



ENGLISH

Operation Manual

Other languages can be downloaded from:
WWW.BRITEQ-LIGHTING.COM



Version: 1.0





EN - DISPOSAL OF THE DEVICE

Dispose of the unit and used batteries in an environment friendly manner according to your country regulations.

FR - DÉCLASSER L'APPAREIL

Débarrassez-vous de l'appareil et des piles usagées de manière écologique conformément aux dispositions légales de votre pays.

NL - VERWIJDEREN VAN HET APPARAAT

Verwijder het toestel en de gebruikte batterijen op een milieuvriendelijke manier conform de in uw land geldende voorschriften.

DU - ENTSORGUNG DES GERÄTS

Entsorgen Sie das Gerät und die Batterien auf umweltfreundliche Art und Weise gemäß den Vorschriften Ihres Landes.

ES - DESHACERSE DEL APARATO

Reciclar el aparato y pilas usadas de forma ecologica conforme a las disposiciones legales de su país.

PT - COMO DESFAZER-SE DA UNIDADE

Tente reciclar a unidade e as pilhas usadas respeitando o ambiente e em conformidade com as normas vigentes no seu país.

OPERATION MANUAL

Thank you for buying this Briteq® product. To take full advantage of all possibilities and for your own safety, please read these operating instructions very carefully before you start using this unit.

FEATURES

- Professional soft-light for TV-studio and outdoor applications (only under dry conditions)
- Compact but powerful output: 640 CW / WW LEDs with 260W total power
- Tunable white 3000K → 5600K with precise CCT-presets
- Excellent photometric specifications: Ra > 98, TLCI > 99, ...
- Intelligently designed Aluminum finish for multifunctional use:
 - **PHOTO & TV-STUDIO:** “click-on” external 110V – 240V Power supply with V-LOCK
 - **TV, FILM, REPORTER, ... :** add 2pcs standard V-LOCK batteries (14.8V and 26V compatible)
- Easily exchangeable frost filters + possibility to add extra (color) filter sheets.
- Different optional accessories: 8 leaf barndoor, manual yoke, intensifier, softbox, , ...
- Beam angle 115°
- Excellent dimmer electronics with 4 dimmer curves, dimmer speed control
- Flicker free dimming down to 0% with refresh rates between 900Hz and 25kHz
- Four dimmer curves: linear, square, inverse square, S-curve
- Easy stand-alone use: 3 rotary knobs for dimming, CCT-presets & seamless CCT-adjustment.
- Full DMX control with different modes and control channel
- Wireless DMX (optional WTR dongle) or cabled XLR 3pin / 5pin in/outputs
- RDM-functionality for remote setting and monitoring
- Very low-noise temperature-controlled fan cooling
- Lock function to avoid unwanted altering of the settings.
- Default Factory Reset + user settings can be saved/loaded.
- 2x 16character OLED display with touch buttons for easy setup.
- Optional manual studio yoke is available
- High lumen output: 19'000 lm
- PowerCON TRUE1 compatible in/outputs for easy daisy chaining.

BEFORE USE

- Before you start using this unit, please check if there's no transportation damage. Should there be any, do not use the device and consult your dealer first.
- **Important:** This device left our factory in perfect condition and well packaged. It is absolutely necessary for the user to strictly follow the safety instructions and warnings in this user manual. Any damage caused by mishandling is not subject to warranty. The dealer will not accept responsibility for any resulting defects or problems caused by disregarding this user manual.
- Keep this booklet in a safe place for future consultation. If you sell the fixture, be sure to add this user manual.

Check the contents:

Check that the carton contains the following items:

- English operating instructions, other languages can be downloaded from our website.
- BT-TVPANEL TW
- PowerCon® TRUE1 compatible mains cable

SAFETY INSTRUCTIONS:



CAUTION
RISK OF ELECTRIC SHOCK
DO NOT OPEN



CAUTION: To reduce the risk of electric shock, do not remove the top cover. No user-serviceable parts inside. Refer servicing to qualified service personnel only.



The lightning flash with arrowhead symbol within the equilateral triangle is intended to alert the user or the presence of un-insulated “dangerous voltage” within the product’s enclosure that may be of sufficient magnitude to constitute a risk of electric shock.



The exclamation point within the equilateral triangle is intended to alert the user to the presence of important operation and maintenance (servicing) instructions in the literature accompanying this appliance.



This symbol means: indoor use only



This symbol means: Read instructions



This symbol determines: the minimum distance from lighted objects. The minimum distance between light-output and the illuminated surface must be more than 1 meters

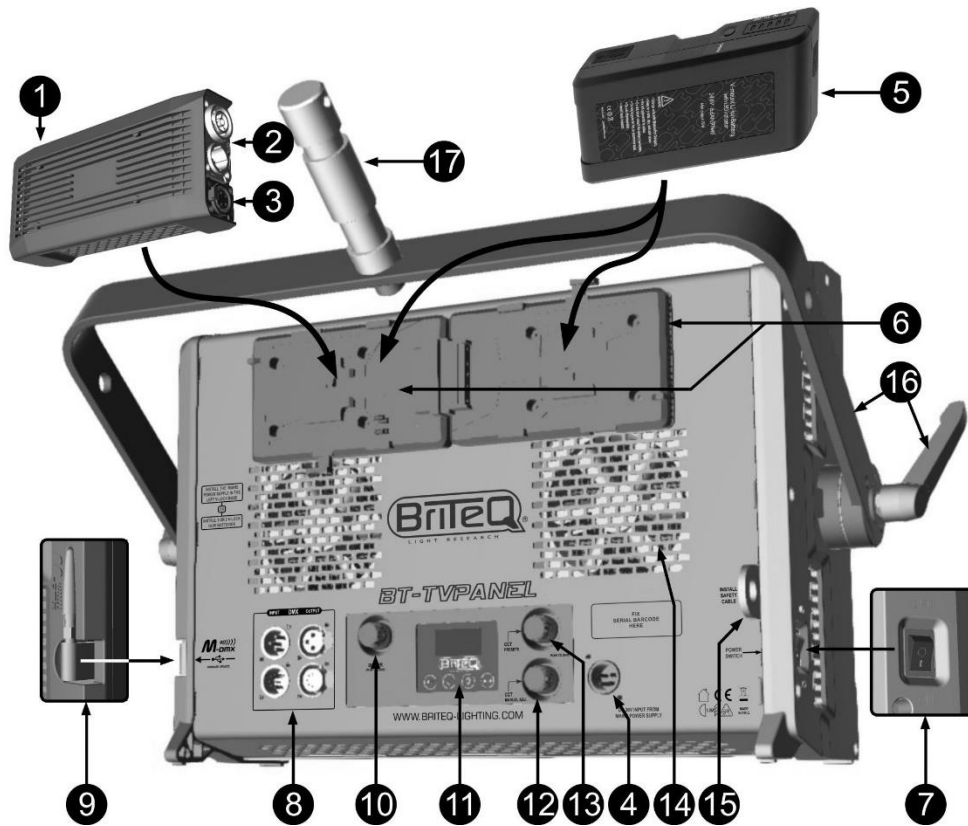
RISK GROUP 2
CAUTION:
Do not stare at operating lamp

CAUTION: Do not stare at operating lamp. May be harmful to the eyes.

- To protect the environment, please try to recycle the packing material as much as possible.
- To prevent fire or shock hazard, do not expose this appliance to rain or moisture.
- To avoid condensation to be formed inside, allow the unit to adapt to the surrounding temperatures when bringing it into a warm room after transport. Condense sometimes prevents the unit from working at full performance or may even cause damages.
- This unit is for indoor use only.
- Don't place metal objects or spill liquid inside the unit. Electric shock or malfunction may result. If a foreign object enters the unit, immediately disconnect the mains power.
- Locate the fixture in a well ventilated spot, away from any flammable materials and/or liquids. The fixture must be fixed at least 50cm from surrounding walls.
- Don't cover any ventilation openings as this may result in overheating.
- Prevent use in dusty environments and clean the unit regularly.
- Keep the unit away from children.
- Inexperienced persons should not operate this device.
- Maximum safe ambient temperature is 40°C. Don't use this unit at higher ambient temperatures.
- Make sure the area below the installation place is free from unwanted persons during rigging, de-rigging and servicing.
- Allow the device about 10 minutes to cool down before to start servicing.
- Always unplug the unit when it is not used for a longer time or before to start servicing.
- The electrical installation should be carried out by qualified personal only, according to the regulations for electrical and mechanical safety in your country.
- Check that the available voltage is not higher than the one stated on the unit.
- The power cord should always be in perfect condition. Switch the unit immediately off when the power cord is squashed or damaged. It must be replaced by the manufacturer, its service agent or similarly qualified persons in order to avoid a hazard.
- Never let the power-cord come into contact with other cables!
- This fixture must be earthed in order to comply with safety regulations.
- Don't connect the unit to any dimmer pack.
- Always use an appropriate and certified safety cable when installing the unit.
- In order to prevent electric shock, do not open the cover. Apart from the mains fuse there are no user serviceable parts inside.
- **Never** repair a fuse or bypass the fuse holder. **Always** replace a damaged fuse with a fuse of the same type and electrical specifications!
- In the event of serious operating problems, stop using the fixture and contact your dealer immediately.
- The housing and the lenses must be replaced if they are visibly damaged.
- Please use the original packing when the device is to be transported.
- Due to safety reasons it is prohibited to make unauthorized modifications to the unit.

Important: Never look directly into the light source! Don't use the effect in the presence of persons suffering from epilepsy.

DESCRIPTION:



1. **External power supply:** For use in TV/photo studios, the external power supply can be easily attached to the rear of the projector through its industry-standard V-lock system.

2. **Mains in/outputs:** The PSU is equipped with lockable IP-power connectors, connect the supplied mains cable here, you can daisy chain up to max. 8 units. Input and output are connected to each other without any fuse.

Hint: Please check our website for special cable assemblies that contain both power (3x1.5mm² with Neutrik PowerCON® TRUE1) and balanced signal (XLR 3pin) in one cable. Different lengths are available: 1.3m, 3m, 5m and 10m, very convenient!

3. **PSU output:** the output of the PSU is connected to the 36Vdc input (4) on the rear panel of the projector.

4. **36Vdc Power input:** use the supplied power cable with two 4pin XLR-connectors to connect this input to the output of the PSU (3). Thanks to this cable, the power supply can also be mounted elsewhere than on the back of the projector.

5. **OPTIONAL BATTERIES:** For use on the road, reporters or filmmakers can use standard rechargeable batteries, equipped with an industry-standard V-LOCK click system. In this case, the power supply is removed and 1 or 2 batteries can be attached to the back. No cable is needed, the battery automatically connects to the internal electronics.

IMPORTANT: both 14.8V and/or 26V batteries can be used. These batteries are optionally available from different brands and in different capacities. See the chapter "ELECTRICAL INSTALLATION" for more information.

6. **V-LOCK BASE:** Special V-LOCK click system to mount the power supply or 2 (optional) batteries.

7. **ON/OFF SWITCH:** used to switch the projector on/off.

8. **DMX IN/OUT:** both 3pin and 5pin in/outputs are available to daisy chain the projector with other units that will be controlled by a DMX-controller.

9. **USB-connector:** Please note that this USB-connector has 2 functions. Important: the desired function for the USB-connection must be selected in the setup menu first!

- **Wireless DMX-dongle:** this USB-connector makes it very easy to add wireless DMX to the unit! Just add the (optional) WTR-DMX DONGLE from BRITEQ® and you will get wireless DMX! Moreover, you will be able to connect other DMX-controlled equipment to the DMX-output so you can share the wireless DMX function with all connected units! Follow the procedure in the user manual supplied with the WTR-DMX DONGLE from BRITEQ®. The separate WTR-DMX DONGLE is available from WWW.BRITEQ-LIGHTING.COM (order code: 4645)



- **Firmware update:** you can download the firmware update files from our website and put these on a (FAT32 formatted) USB-memory. See the option “**USB Input Mode**” in the chapter “**SETUP MENU**”.
Note: *firmware updates can also be done using the DMX-input and (optional) FIRMWARE UPDATER 2+ (order code: B05019)*
- 10. DIMMER KNOB:** While in stand-alone mode, this knob is used to adjust the MASTER DIMMER level. When the knob is pressed the current dimmer level is saved: next time the projector is switched on and used in stand-alone mode, the saved dimmer level will be used.
- 11. DISPLAY & BUTTONS:** alphanumeric OLED-display and waterproof touch keys to select different options of the setup menu:
- **MENU-button:** used to browse the different menu options or to exit a menu option.
 - **▼-button:** used to go to the next menu option or to decrease a parameter value.
 - **▲-button:** used to go to the previous menu option or to increase a parameter value.
 - **ENTER-button:** used to select a menu option or confirm a setting.
- 12. CCT MANUAL ADJUSTMENT KNOB:** While in stand-alone mode, this knob is used to adjust the CCT color temperature continuously between 3000K and 5700K. When the knob is pressed the current CCT is saved: next time the projector is switched on and used in stand-alone mode, the saved CCT will be used. When no CCT setting is saved, the preferred CCT value in the setup menu is used.
- 13. CCT PRESET KNOB:** While in stand-alone mode, this knob is used to choose one of the CCT color temperature presets: 3000K, 3200K, 4000K, 4300K or 5600K. When the knob is pressed the current CCT is saved: next time the projector is switched on and used in stand-alone mode, the saved CCT will be used.
- 14. COOLING FANS:** due to the high power it is very important to make sure that the temperature-controlled fans and ventilation openings always remain free to maintain optimal cooling!
- 15. SAFETY EYE:** used to attach a safety cable when the unit is rigged, see paragraph “overhead rigging”.
- 16. HANGING BRACKET:** with a knob on both sides to fasten the unit in the desired position.
NOTE: *for easy and fast alignment of the projector the standard hanging bracket can be replaced by the optionally available pole yoke. (BT-TVPANEL YOKE ~ order code: B06040).*
- 17. TV-SPIGOT:** the included 28mm TV-spigot is used to easily hang the bracket. To fix the projector in the truss you can remove the TV-spigot and use a FASTCLAMP instead OR use a combination of an optional “TV-SPIGOT RECEIVER” and FASTCLAMP.



OVERHEAD RIGGING

Important: The installation must be carried out by qualified service personal only. Improper installation can result in serious injuries and/or damage to property. Overhead rigging requires extensive experience! Working load limits should be respected, certified installation materials should be used, the installed device should be inspected regularly for safety.

- Make sure the area below the installation place is free from unwanted persons during rigging, de-rigging and servicing.
- Locate the fixture in a well-ventilated spot, far away from any flammable materials and/or liquids. The fixture must be fixed **at least 50cm** from surrounding walls.
- The device should be installed out of reach of people and outside areas where persons may walk by or be seated.
- Before rigging make sure that the installation area can hold a minimum point load of 10times the device’s weight.
- Always use a certified safety cable that can hold 12times the weight of the device when installing the unit. This secondary safety attachment should be installed in a way that no part of the installation can drop more than 20cm if the main attachment fails.
- The device should be well fixed; a free-swinging mounting is dangerous and may not be considered!
- Don’t cover any ventilation openings as this may result in overheating.
- The operator has to make sure that the safety-relating and machine-technical installations are approved by an expert before using them for the first time. The installations should be inspected every year by a skilled person to be sure that safety is still optimal.



SETUP MENU / HOW TO SETUP

With the setup menu you can fully configure the projector. All settings are preserved when the unit is disconnected from the mains.

General instructions for setup.

The SETUP-menu has three logically structured levels, see the menu structure.

- Press the MENU button to enter the SETUP-menu.
- Press the ▲/▼ buttons to browse the different functions of the setup menu until the required function is shown on the display.
- Press the ENTER button to access the function and change its parameters.
- Use ▲/▼ buttons to change the value.
- Press the ENTER button again confirm.
- To jump to a higher menu level: press the MENU button.
- To exit the SETUP-menu: press the MENU button several times until the standard display is shown.

Remark: to make things easier you will always enter the SETUP-menu at the last used location.

Level 1	Level 2	
MENU DMX Setup	DMX Address	XXX - YYY
	CHANNEL Mode	2CH – 8bit CCT 3CH – 16bit CCT 4CH – 16bit CCT 5CH – 16bit+STR 7CH – 16bit FULL
MENU Feature Setup	NO DMX Mode	Blackout
		Freeze
		Stand-Alone
	NO DMX Display FL	on/off
	Display AUTOLOCK	on/off
	Temp Units: C/F	C / F
	Dimmer Speed	xxx (Y.Y s)
	LED Refresh Freq	900Hz ... 25000Hz
	Dimmer Curve	Linear
		Square
		Inverse Square
		S-Curve
Fan Speed	Auto	
	Low	
USB input Mode	Software Update	
	W-DMX Dongle	
MENU Default Settings	Factory Reset	LOAD ?
	USER Defaults	LOAD / SAVE ?
MENU Information	DMX CH. Values	
	LED Temperature	xxx °C
	TOTAL Usage Time	xxxx Hrs
	JOB Usage Time	xxxx Hrs
	Error Messages	*****
	Firmware Version	

DMX Setup

Used to configure the DMX-related parameters while the projector remotely controlled by DMX.

DMX-Address

Used to set the desired DMX-address. (on RDM-compatible controllers this option can be set remotely)

- Press the ▲/▼ buttons until the desired function is showing on the display.
- Press the ENTER button: the values can be changed
- Use ▲/▼ buttons to select the desired DMX512 address. The last occupied DMX-address is also shown: makes it easier to set the address of the next unit in the chain.
- Once the correct address shows on the display, press the ENTER button to confirm.

CHANNEL Mode

Used to set the desired channel mode. (on RDM-compatible controllers this option can be set remotely)

- Press the ▲/▼ buttons until the desired function is showing on the display.
- Press the ENTER button: the values can be changed
- Use ▲/▼ buttons to select the desired mode:
 - **2CH – 8bit CCT**: 2 channel mode with 8bit dimmer and CCT-control channel.
 - **3CH – 16bit CCT**: 3 channel mode with 16bit dimmer and CCT-control channel.
 - **4CH – 16bit CCT**: 4 channel mode with 16bit dimmer, CCT-control channel and remote control channel.
 - **5CH – 16bit+STR**: Same as 4 channel mode but with extra strobe channel.
 - **7CH – 16bit FULL**: Same as 5 channel mode but with extra independent Cold + Warm white channels.
- Once the correct option shows on the display, press the ENTER button to confirm.

FEATURE Setup

Used to configure different parameters if the projector.

NO DMX Mode

Used to set how the projector reacts when the DMX-signal disappears.

- Press the ▲/▼ buttons until the desired function is showing on the display.
- Press the ENTER button: the values can be changed
- Use ▲/▼ buttons to select the desired mode:
 - **BLACKOUT**: output turns black while no DMX is detected.
 - **FREEZE**: output based on the last valid DMX-signal is kept on the projector.
 - **STAND-ALONE**: output and CCT are set manually while no DMX is detected. Settings are preserved.
- Once the correct option shows on the display, press the ENTER button to confirm.

Note: as soon as the input detects a DMX-signal, blackout or freeze mode will be cancelled.

NO DMX Display FL

Used to select if the display should blink or not when the DMX signal was lost.

- Press the ▲/▼ buttons until the desired function is showing on the display.
- Press the ENTER button: the values can be changed
- Use ▲/▼ buttons to toggle between ON and OFF.
- Press the ENTER button to confirm.

Display AUTO LOCK

Used to lock the setup menu against unwanted altering of the settings.

- Press the ▲/▼ buttons until the desired function is showing on the display.
- Press the ENTER button: the values can be changed
- Use ▲/▼ buttons to select one of these options:
 - **OFF**: The setup menu can be used at any time.
 - **ON**: After a short time the setup menu locks automatically, the display shows “**LOCKED *******”.
Unlock the display by pressing the buttons in this order: **UP, DOWN, UP, DOWN, ENTER**.

Temp Units C/F

Used to select if the LED-temperature is shown in degrees Celcius °C or Fahrenheit F.

- Press the ▲/▼ buttons until the desired function is showing on the display.
- Press the ENTER button: the values can be changed
- Use ▲/▼ buttons to select one of these options:
 - **Celcius**: LED-temperature is shown in degrees Celcius °C.
 - **Fahrenheit**: LED-temperature is shown in degrees Fahrenheit F.
- Press the ENTER button to confirm.

Dimmer Speed

Used to set the speed (smoothness) of the dimmer continuously.

- Press the ▲/▼ buttons until the desired function is showing on the display.
- Press the ENTER button: the values can be changed
- Use ▲/▼ buttons to select the desired speed:
 - **000 (0ms)**: The projector follows the instructions instantly, no delay (also called LED behavior).
 - ...
 - **255 (2000ms)**: The projector imitates the behavior of a halogen lamp (slower reaction time).

- Once the desired value shows on the display, press the ENTER button to confirm.

Remark: The default value (100 or 440ms) is the most realistic value to imitate “halogen lamp” behavior. At the same time the light output will be instantaneous while pushing a flash button on your DMX-controller.

LED Refresh Frequency

Used to set the PWM frequency of the LED dimming.

- Press the ▲/▼ buttons until the desired function is showing on the display.
- Press the ENTER button: the values can be changed
- Use ▲/▼ buttons to select the desired speed:
 - **900 Hz** : slowest PWM frequency.
 - ...
 - **25'000 Hz**: highest possible PWM frequency,

- Once the desired value shows on the display, press the ENTER button to confirm.

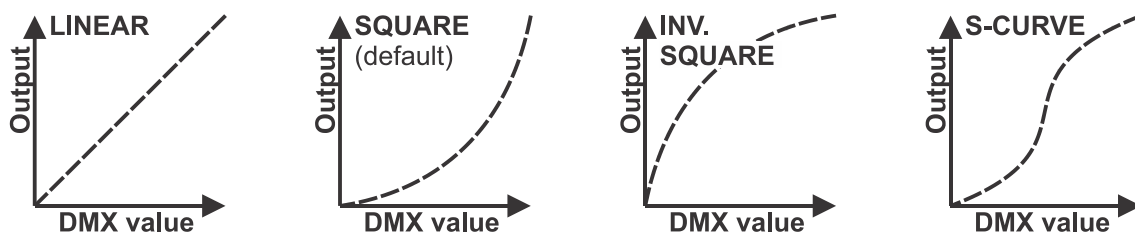
Remark 1: please note that the dimmer behavior changes when the PWM frequency is changed.

Remark 2: The default value (20'000 Hz) gives good dimming performance while the PWM frequency is outside the audible spectrum and thus not perceived as a disturbing high pitch sound.

Dimmer Curve

Used to set the dimmer curve of the master dimmer.

- Press the ▲/▼ buttons until the desired function is showing on the display.
- Press the ENTER button: the values can be changed
- Use ▲/▼ buttons to selected the desired curve:



- Once you have the desired curve, press the ENTER button to save it.

FAN Speed

On some occasions fan noise should be reduced to a minimum. Therefore you can set three different fan speed modes.

- Press the ▲/▼ buttons until the desired function is showing on the display.
- Press the ENTER button: the values can be changed
- Use ▲/▼ buttons to select one of these options:
 - **Auto:** the fan speed will be automatically adjusted to always have the best balance between fan noise and performance (light output). This is the best setting for use in theatres, conference rooms, ...
 - **Low:** the fan speed will always be low to reduce fan noise to a minimum. However this means that the LED temperature could become too high: in that case the LED current will be reduced automatically to protect the LED. Light output will also be lower.
- Press the ENTER button to confirm.

USB Input Mode

The USB-connector has 2 functions: the desired function for the USB-connection must be selected first!

- **W-DMX dongle:** this USB-connector makes it very easy to add wireless DMX to the unit! Just add the (optional) WTR-DMX DONGLE from BRITEQ® and you will get wireless DMX! Moreover, you will be able to connect other DMX-controlled equipment to the DMX-output so you can share the wireless DMX function with all connected units! Follow the procedure in the user manual supplied with the WTR-DMX DONGLE from BRITEQ®. The separate WTR-DMX DONGLE is available from WWW.BRITEQ-LIGHTING.COM (order code: B04645)
- **Software update:** you can download the firmware update files from product page on our website and put these on a (FAT32 formatted) USB-memory. Now follow the steps below:
 - Insert the USB-memory in the USB-input, normally used to insert the W-DMX Dongle (9)
 - In the SETUP menu, select: Feature Setup>USB input Mode>Software Update
 - Press the ENTER-button (the fans start turning at high speed + display shows “Update” etc...)
 - Wait for 10 seconds and use the ▲/▼-buttons to select the firmware file + press ENTER

- Use the ▲/▼-buttons to select YES + press ENTER
- The update starts: wait until the update reaches 100% and returns to normal working mode.
- Check the firmware Version to see if the update succeeded.

Note: firmware updates can also be done using the DMX-input and (optional) FIRMWARE UPDATER 2+ (order code: B05019)

DEFAULT SETTINGS

This is your emergency exit if you really messed up the settings: just return to the **Factory Reset**. Also a user setting can be saved/loaded.

- Press the ▲/▼ buttons until the desired function is showing on the display.
- Press the ENTER button: the values can be changed
- Use ▲/▼ buttons to select one of these options:
 - **Factory Reset:** standard Factory Reset.
 - **USER Defaults:** you can adapt the Factory Reset and save the new parameters as your personal USER-settings.
- Press the ENTER button:
 - **Factory Reset was selected:** the display shows “LOAD”
 - Press the ENTER button and use ▲/▼ buttons to confirm YES / NO
 - Press the ENTER button to confirm.
 - **USER Defaults: was selected:** the display shows “LOAD”
 - Use ◀/▶ buttons to select LOAD / SAVE
 - Press the ENTER button and use ▲/▼ buttons to confirm YES / NO
 - Press the ENTER button to confirm.
 - **SAVE was selected:** the current settings of the setup menu are saved to memory.
 - **LOAD was selected:** the previously saved settings are loaded.

Set of Factory default settings:

PARAMETER name	FACTORY defaults	USER defaults
CHANNEL mode	2CH – 8bit CCT	Current setting in the menu
NO DMX mode	Stand-Alone	Current setting in the menu
DIM Curve	Square	Current setting in the menu
Dimmer Speed	100 (440ms)	Current setting in the menu
PWM Frequency	20'000 Hz	Current setting in the menu
FAN Set	Auto	Current setting in the menu
USB input Mode	W-DMX Dongle	Current setting in the menu
Backlight	5 min.	Current setting in the menu
AUTO LOCK Menu	OFF	Current setting in the menu
no DMX blink display	OFF	Current setting in the menu
Temp C/F	Celcius	Current setting in the menu

INFORMATION

[DMX CH. Values]

Used to monitor the incoming DMX-signals, handy for fault debugging.

- Press the ▲/▼ buttons until the desired function is showing on the display.
- Press the [ENTER] button: you can monitor the incoming DMX-signal, functions and values are displayed.

LED Temperature.

Shows the actual temperature of the LEDs.

- Press the ▲/▼ buttons until the desired function is showing on the display.
- Press the ENTER button: the LED temperature is shown.

Timers (Total Usage time + JOB Usage Time)

Shows how long the projector was used.

- Press the ▲/▼ buttons until the desired function is showing on the display.
- Press the ENTER button: the values can be changed
- Use ▲/▼ buttons to select one of these options:
 - **Total Usage Time:** The total time the LED was used since it was used for the 1st time, non-resettable.
 - **JOB: Usage Time** The time the unit was used on the last job.
- Press the ENTER button to confirm.

ERROR Messages

Shows information about eventual errors.

- Press the ▲/▼ buttons until the desired function is showing on the display.
- Press the ENTER button:
 - **No errors:** display shows NONE
 - **Errors to report:** the error will be shown on the display so you can take action.

Firmware Version.

Shows the current firmware version in the projector.

- Press the ▲/▼ buttons until the desired function is showing on the display.
- Press the ENTER button: the display shows the firmware version.

Note: The firmware of this unit can be upgraded using a USB-memory (see before) or with our special "Firmware Updater 2+" (separately available from Briteq – order code: B05019). More information about this can be found in the user manual of the firmware updater or our website:

<https://briteq-lighting.com/firmware-updater-2-plus>

OTHER SETUP FUNCTIONS**HIDDEN MENU**

In the root of the setup menu: press the [ENTER] button for more than 5 seconds to open the hidden menu.

Reset JOB Time:

While the display shows [Reset JOB Time]:

- Press the [ENTER] button, followed by the ▲/▼ buttons to choose:
 - **No:** press the [ENTER]-button to return without changes.
 - **Yes:** press the [ENTER]-button to set the JOB Time back to zero

ELECTRICAL INSTALLATION

Important: The electrical installation should be carried out by qualified personal only, according to the regulations for electrical and mechanical safety in your country.

ELECTRICAL INSTALLATION : USE WITH BATTERIES:

The projector can also be powered by 1 or 2 rechargeable batteries, equipped with the V-LOCK standard. V-LOCK batteries come in different voltages and capacities: the BT-TVPANEL can use both 14.8V and 26V versions. You can even use both battery models together, only the light output and usage time will be different. Examples, based on 14.8V and 26V batteries, both with 260Wh capacity:

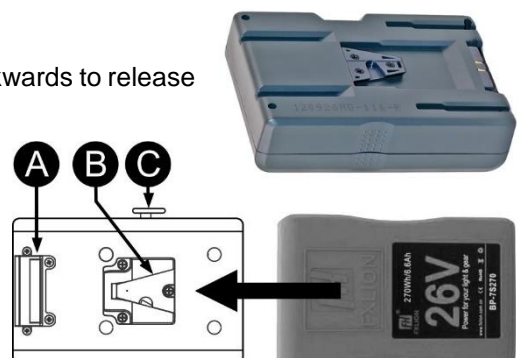
- **One 14.8V battery installed:** the fixture works with 150W reduced output and 1h max. usage time.
- **Two 14.8V batteries installed:** the fixture works with 150W reduced output and 2h max. usage time.
- **One 26V battery installed:** the fixture works with 260W output and 1h max. usage time.
- **Two 26V batteries installed:** the fixture works with 260W output and 2h max. usage time.
- **14.8V + 26V battery installed:** first the 26V battery will be used, followed by the 14.8V battery.

NOTE: The max. usage time depends on the capacity (xxx Wh) of the used batteries.

HOW TO INSTALL / REMOVE THE BATTERIES & POWER SUPPLY

- Removing the power supply (or battery with V-lock):
 - Remove both power supply cables from the power supply.
 - Press the button (C) and slide power supply (or battery) backwards to release it from the contacts (A).
- Installing the power supply (or battery):
 - Slide power supply (battery) into the empty base, making sure the battery is firmly seated in the V-mechanism (B). In doing so, you will hear a "click" sound.
 - At the power supply, connect both cables. (the battery does not need any cables)

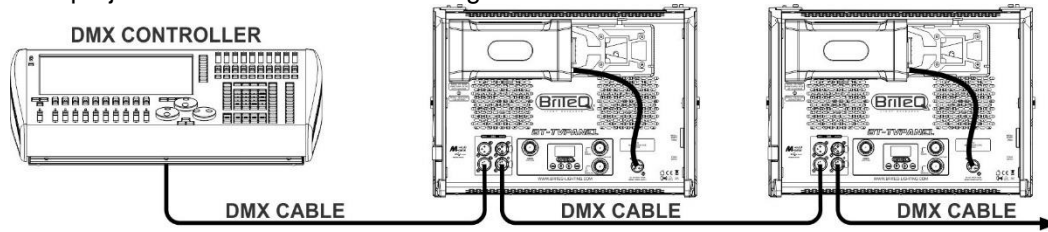
Remark: the BT-TVPANEL has no internal charger, the batteries must be charged in a separate battery charger.



ELECTRICAL INSTALLATION FOR TWO OR MORE UNITS IN WIRED DMX-MODE:

Use this function when you want to control the projectors by any DMX controller.

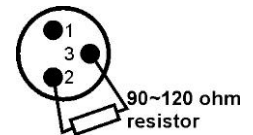
- Connect the projectors as shown in the drawing below.



- First put the projectors in the desired DMX-mode: see the different DMX-charts and choose the one that suits you best.
- Give all projectors a start address: each projector shows its start + end address, make sure that the addresses do not overlap!

Some general information on DMX:

- The DMX-protocol is a widely used high speed signal to control intelligent light equipment. You need to “daisy chain” your DMX controller and all the connected units with a balanced cable of good quality.
- Both XLR-3pin and XLR-5pin connectors are used, however XLR-3pin is more popular because these cables are compatible with balanced audio cables.
- Pin layout XLR-3pin: Pin1=GND ~ Pin2=Negative signal (-) ~ Pin3=Positive signal(+)
- Pin layout XLR-5pin: Pin1=GND ~ Pin2=Negative signal (-) ~ Pin3=Positive signal (+) ~ Pins4+5 not used.
- To prevent strange behavior of the light effects, due to interferences, you must use a 90Ω to 120Ω terminator at the end of the chain. Never use Y-splitter cables, this simply won't work!
- Make sure that all units are connected to the mains.
- Each light effect in the chain needs to have its proper starting address so it knows which commands from the controller it has to decode.



ELECTRICAL INSTALLATION USING WIRELESS DMX:

Here we also have different options.

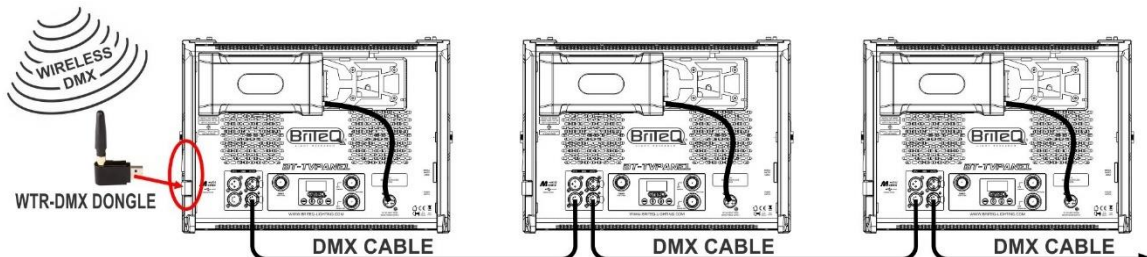
OPTION 1: completely wireless

See the previous chapter to learn how to setup the wireless DMX functions. In this case the W-DMX transmitter send the wireless DMX signal to all the projectors.



OPTION 2: combined wireless + wired DMX

See point 9 in the chapter “Descriptions” to learn about the wireless DMX option. A W-DMX transmitter sends the wireless DMX signal to the first device. This device is the first in a wired DMX chain and acts as a wireless DMX receiver to transfer the entire DMX universe to the other DMX units.



OPERATING INSTRUCTIONS

Note: when the projector is switched on the display shows “UPDATE WAIT ...” This message informs you that IF you want to upgrade the firmware, you should do it while this message is shown on the display. For normal use you can ignore this message completely.

A. Controlled by universal DMX-controller:

- Connect all units together. Refer to the chapter “Electrical installation” for two or more units in DMX-mode” to learn how to do this (don’t forget to address all units properly!)

8Bit CCT (2CH)	16Bit CCT (3CH)	16Bit CCT (4CH)	16Bit+str (5CH)	16Bit Full (7CH)	Values	Function
1	1	1	1	1	000-255	Dimmer coarse 0-100%
	2	2	2	2	000-255	Dimmer fine (16bit)
2	3	3	3	3		CCT-CHANNEL
					000-005	CCT-channel not active
					006-010	2800K CCT Preset
					011-015	3000K CCT Preset
					016-020	3200K CCT Preset
					021-025	4000K CCT Preset
					026-030	4300K CCT Preset
					031-035	5600K CCT Preset
					036-255	WW to CW CCT continuous setting
				4	000-255	Warm White 0-100%
				5	000-255	Cold White 0-100%
			4	6		STROBE
					000-005	Open (no strobe)
					006-125	Normal strobe (slow → fast)
					126-130	Open (no strobe)
					131-250	Random strobe (slow → fast)
					251-255	Open (no strobe)
		4	5	7		CONTROL CHANNEL
					000-005	No function
					006-105	DIMMER SPEED: (0,0s → 1,5s)
					106-110	No function
					111-115	FAN LOW: temp. controlled, low speed
					116-120	FAN AUTO: temp. controlled, high speed
					121-125	No function
					126-130	LINEAR dimmer curve
					131-135	SQUARE dimmer curve
					136-140	INVERSE SQUARE dimmer curve
					141-145	S-CURVE dimmer curve
					146-150	No function
					151-155	900 Refresh Rate (Hz)
					156-160	1000 Refresh Rate (Hz)
					161-165	1100 Refresh Rate (Hz)
					166-170	1200 Refresh Rate (Hz)
					171-175	1300 Refresh Rate (Hz)
					176-180	1400 Refresh Rate (Hz)
					180-185	1500 Refresh Rate (Hz)
					186-190	2500 Refresh Rate (Hz)
					191-195	4000 Refresh Rate (Hz)
196-200	5000 Refresh Rate (Hz)					
201-205	10000 Refresh Rate (Hz)					
206-210	15000 Refresh Rate (Hz)					
211-215	20000 Refresh Rate (Hz)					
216-220	25000 Refresh Rate (Hz)					
					221-255	No function

B. Standalone 1 unit – Manual operation:

- Just connect the projector to the mains.
- In the setup menu the option NO DMX Mode should be set to **[Stand-Alone]**
- Adjust the DIMMER and CCT knobs
- Refer to points 10+12+13 in chapter DESCRIPTION for more information.

RDM FUNCTIONS / REMOTE SETUP

RDM means “Remote Device Management”. This projector works with a brief set of RDM-functions which means that it can setup a bi-directional communication with an RDM-compatible DMX-controller. Some of these functions are briefly explained below, others will be added in the future.

- The DMX-controller sends out a “discovery command”, all RDM devices respond and send their unique device ID.
- The DMX-controller asks each RDM device for some basic data so it knows which devices are connected. The projector will respond:
 - **Device name:** BT-TVPANEL TW
 - **Manufacturer:** Briteq®
 - **Category:** LED Dimmer
 - **Firmware:** x.x.x.x (firmware version of the projector)
 - **DMX address:** xxx (current DMX start address of the projector)
 - **DMX footprint:** xx (number of DMX-channels used by the projector)
 - **Personality:** xx (current personality or DMX-working mode used by the projectors)
- The DMX-controller can send certain commands to each RDM device which allow remote setup of the units. Thanks to this the projector can be setup remotely.

The following functions can be managed remotely:

No more need to take a ladder and set all units one by one!

- **DMX START ADDRESS:** The start address can be set remotely from 001 to xxx.
- **PERSONALITY:** The DMX working mode (DMX-chart) can be set remotely.

These 2 functions make it possible to prepare a complete DMX-patch of all projectors on the DMX-controller and send these data to all projectors at once. More functions will be added later.

MAINTENANCE

- Make sure the area below the installation place is free from unwanted persons during servicing.
- Switch off the unit, unplug the mains cable and wait until the unit has been cooled down.

During inspection the following points should be checked:

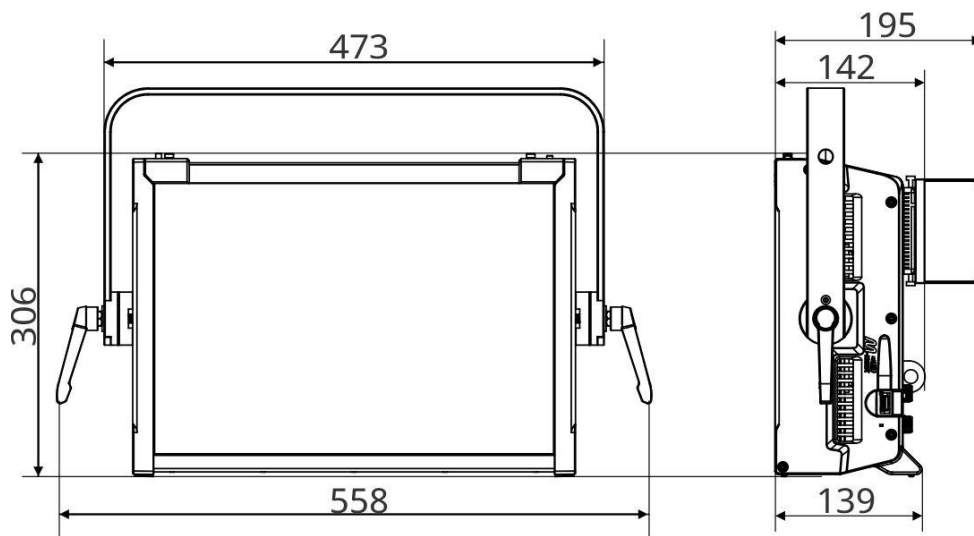
- All screws used for installing the device and any of its parts should be tightly fastened and may not be corroded.
- Housings, fixations and installations spots (ceiling, truss, suspensions) should be totally free from any deformation.
- When an optical lens is visibly damaged due to cracks or deep scratches, it must be replaced.
- The mains cables must be in impeccable condition and should be replaced immediately when even a small problem is detected.
- In order to protect the device from overheat the cooling fans (if any) and ventilation openings should be cleaned monthly.
- The interior of the device should be cleaned annually using a vacuum cleaner or air-jet.
- The cleaning of internal and external optical lenses and/or mirrors must be carried out periodically to optimize light output. Cleaning frequency depends on the environment in which the fixture operates: damp, smoky or particularly dirty surroundings can cause greater accumulation of dirt on the unit's optics.
 - Clean with a soft cloth using normal glass cleaning products.
 - Always dry the parts carefully.

Attention: We strongly recommend internal cleaning to be carried out by qualified personnel!

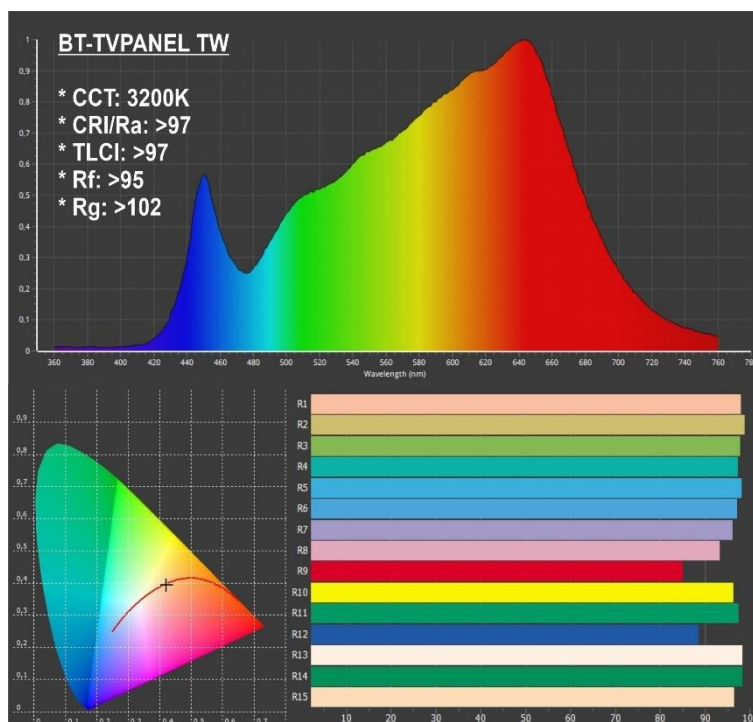
SPECIFICATIONS

This unit is radio-interference suppressed. This product meets the requirements of the current European and national guidelines. Conformity has been established and the relevant statements and documents have been deposited by the manufacturer.

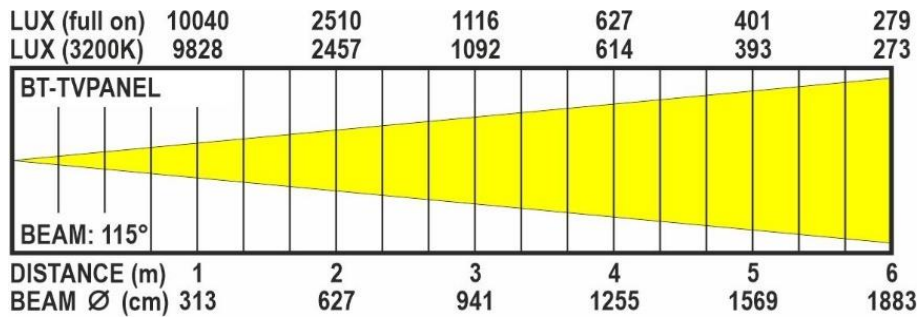
Mains Input:	AC 110 - 240V, 50/60Hz
Power consumption (Max):	290 Watts
Power connections (mains):	PowerCon TRUE1 input + output
Battery connections:	V-LOCK battery, 1 or 2 pcs: auto switch 14.8V or 26V
DMX connections:	3&5 pin-XLR male / female inputs + outputs
Lamp:	320pcs CCT 2800K - CRI >98 320pcs CCT 5600K - CRI >97
Beam Angle:	115°
IP-Rating:	IP20
Size:	See drawing
Weight:	8 kg (without external power supply) 9 kg (incl. external power supply)



PHOTOMETRIC DATA



LUX CHART



OPTIONS

BT-TVPANEL YOKE (order code: B06040)

For easy and fast alignment of the projector in high TV studios the standard hanging bracket can be replaced by the optionally available pole yoke.



BT-TVPANEL INTENSIFIER (order code: B06041)

Used to intensify the output by reducing the original wide beam angle



BT-TVPANEL BARNDOOR (order code: B06042)

Facilitates shaping the projector's wide beam. Bend the barndoor's blades to the desired position to prevent light from being scattered where it is not wanted.



BT-TVPANEL SOFTBOX (order code: B06043)

Used to soften the light and minimize harsh shadows.



The information might be modified without prior notice
 You can download the latest version of this user manual on our website: www.briteq-lighting.com



MAILING LIST

EN: Subscribe today to our mailing list for the latest product news!

FR: Inscrivez-vous à notre liste de distribution si vous souhaitez suivre l'actualité de nos produits!

NL: Abonneer je vandaag nog op onze mailinglijst en ontvang ons laatste product nieuws!

DE: Abonnieren Sie unseren Newsletter und erhalten Sie aktuelle Produktinformationen!

ES: Suscríbete hoy a nuestra lista de correo para recibir las últimas noticias!

PT: Inscreva-se hoje na nossa mailing list para estar a par das últimas notícias!

WWW.BRITEQ-LIGHTING.COM

Copyright © 2022 by BEGLEC NV

t Hofveld 2C ~ B1702 Groot-Bijgaarden ~ Belgium

Reproduction or publication of the content in any manner, without express permission of the publisher, is prohibited.