

ESTT Series

Electric Tab-Tensioned Projector Screen

User Manual

Professional quality electric screens fitted with an elastic tightening system designed to balance the surface tension making the viewing area smooth and wrinkle free. Housed in a rugged iron casing and fitted with a reliable synchronous motor, the soft white PVC screen surface with black border provides the perfect projection area for high definition and 4K images. Fitted with sturdy top/side mounting brackets and IEC mains connections on either end making installation a breeze. Supplied with a sleek RF remote providing total control from anywhere in the room.

CAUTION!


Please read through this manual carefully before use. This product is strictly for indoor use only, please install this product in a dry, cool environment and away from sources of heat.

Features:

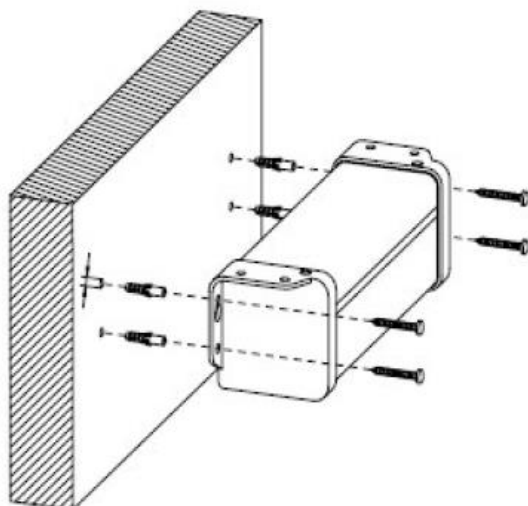
- Fitted with an elastic tightening system designed to balance the surface tension making the viewing area smooth and wrinkle free.
- Soft white PVC screen material with black border which enhances the definition of the projected image.
- Rugged iron casing and low noise synchronous electric motor.
- Handy IEC sockets on either end and sturdy top/side mounting brackets for simple wall or ceiling installation.
- RF remote control included.

Installation:

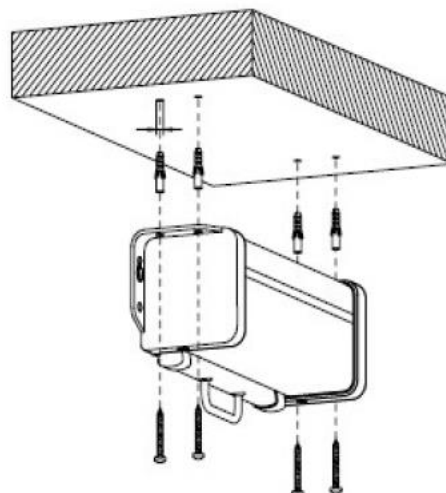
Before installation, please ensure a mains socket is available within 1.5m distance of your desired location and ensure the unit is not plugged in. This electric projector screen is suitable for both wall and ceiling mounting, it is important the unit is installed accurately using a spirit level to ensure the screen can operate correctly & safely.

 **Warning:** Once the unit is connected to power it's essential the unconnected IEC socket on the opposite end remains isolated with the plastic safety cover to avoid risk of electric shock.

Wall Mounting

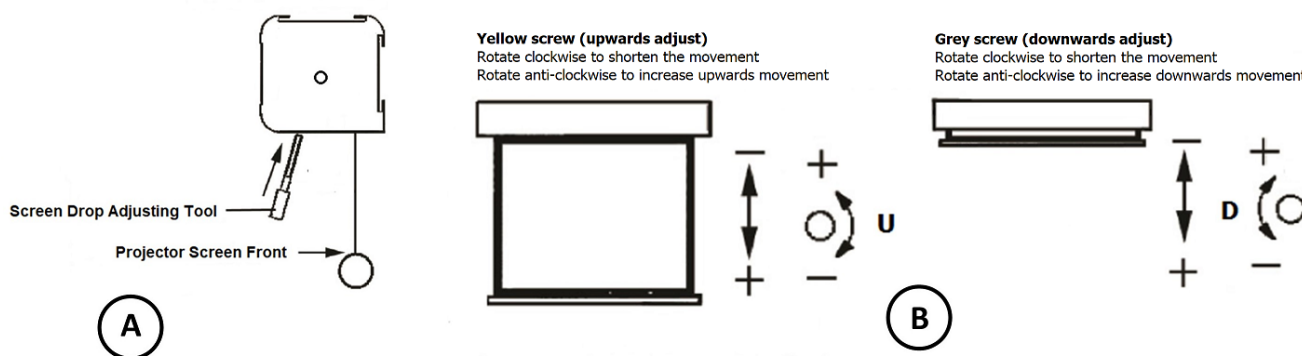


Ceiling Mounting



Screen drop adjustment:

All electric projector screens will be pre-adjusted before delivery. If adjustment is needed to suit your application, please ensure the unit is switched off before you proceed. The drop adjusting screws are located at the left-hand end of the projector screen (see diagram A below). A screen drop adjusting tool is included for the adjustment. Two separate-coloured screws set the open and close positions and need to be turned to adjust the limits according to the below diagram B.



Remote control:

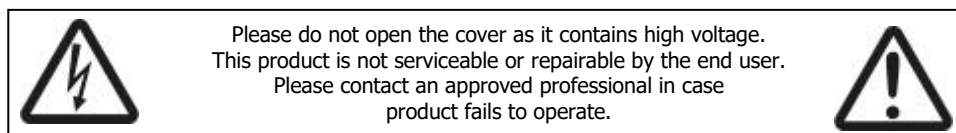
This projector screen is supplied with an RF remote control for simple operation as described below:



1. Screen upwards movement
2. Stop movement
3. Screen downward movement

Maintenance:

Maintenance and service of the unit should not be required throughout the duty life of the product. We recommend dusting on a regular basis using a dry microfiber cloth. To remove any stains on the screen surface, use a slightly damp microfiber cloth with max. 5% soap solution. Always ensure the surface is completely dry before closing the screen.



This product is classed as Electrical or Electronic equipment and should not be disposed with other household or commercial waste at the end of its useful life. The goods must be disposed of according to your local council guidelines.

Errors and omissions excepted.

Copyright© 2023 AVSL Group Ltd, Unit 2 Bridgewater Park,
Taylor Road, Trafford Park, Manchester. M41 7JQ.

AVSL (Europe) Ltd, Unit 3D North Point House,
North Point Bus. Park, New Mallow Road, Cork, Ireland.